



US00D451119B1

(12) **United States Design Patent**  
**Koevari**

(10) **Patent No.:** **US D451,119 S**

(45) **Date of Patent:** **\*\* Nov. 27, 2001**

(54) **READING GLASSES**

D. 436,613 \* 1/2001 Chao ..... D16/315  
D. 437,340 \* 2/2001 Hsieh Yeh ..... D16/315

(75) Inventor: **Peter Koevari**, Pullach (DE)

**OTHER PUBLICATIONS**

(73) Assignee: **Optische Werke G. Rodenstock**,  
Munich (DE)

Harley Davidson Eyewear, p. 8, 1996.\*

(\*\*) Term: **14 Years**

\* cited by examiner

(21) Appl. No.: **29/133,405**

*Primary Examiner*—Raphael Barkai

(22) Filed: **Nov. 30, 2000**

(74) *Attorney, Agent, or Firm*—Crowell & Moring LLP

(30) **Foreign Application Priority Data**

(57) **CLAIM**

May 31, 2000 (DE) ..... 400 05 443

The ornamental design for reading glasses, as shown and described.

(51) **LOC (7) Cl.** ..... **16-06**

**DESCRIPTION**

(52) **U.S. Cl.** ..... **D16/315**

FIG. 1 is a front view of reading glasses according to my novel design, with the arms in a closed position;  
FIG. 2 is a top view of the reading glasses according to my novel design, with the arms in an open position;  
FIG. 3 is a right side view of the reading glasses according to my novel design, with the arms in an open position; and,  
FIG. 4 is a left side view of the reading glasses according to my novel design, with the arms in an open position.

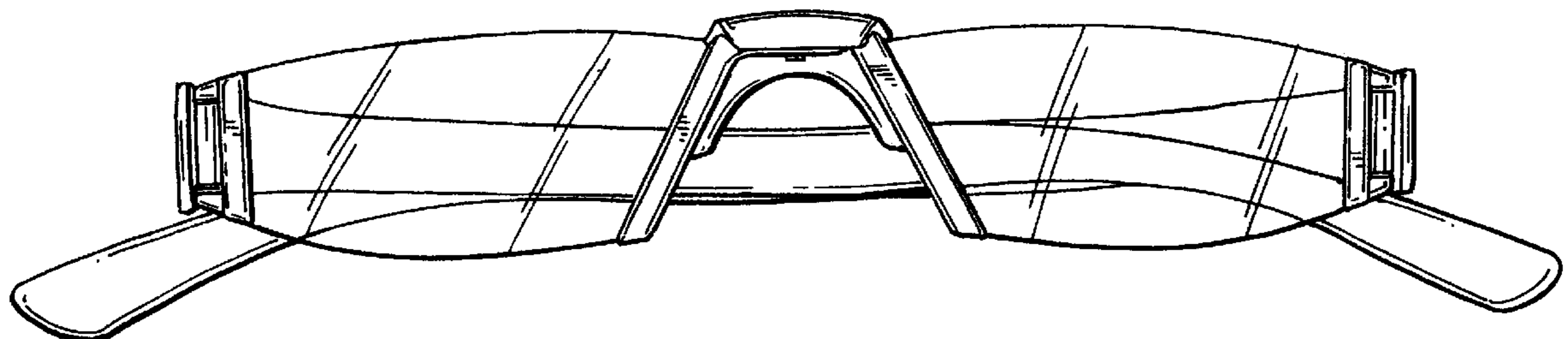
(58) **Field of Search** ..... D16/101, 300-330,  
D16/335, 337, 341; D29/109, 110; 351/41,  
44, 51, 52, 57-58, 111, 156-158

(56) **References Cited**

**U.S. PATENT DOCUMENTS**

D. 377,659 \* 1/1997 Cheng ..... D16/315  
D. 404,053 \* 1/1999 Hsieh ..... D16/315

**1 Claim, 3 Drawing Sheets**



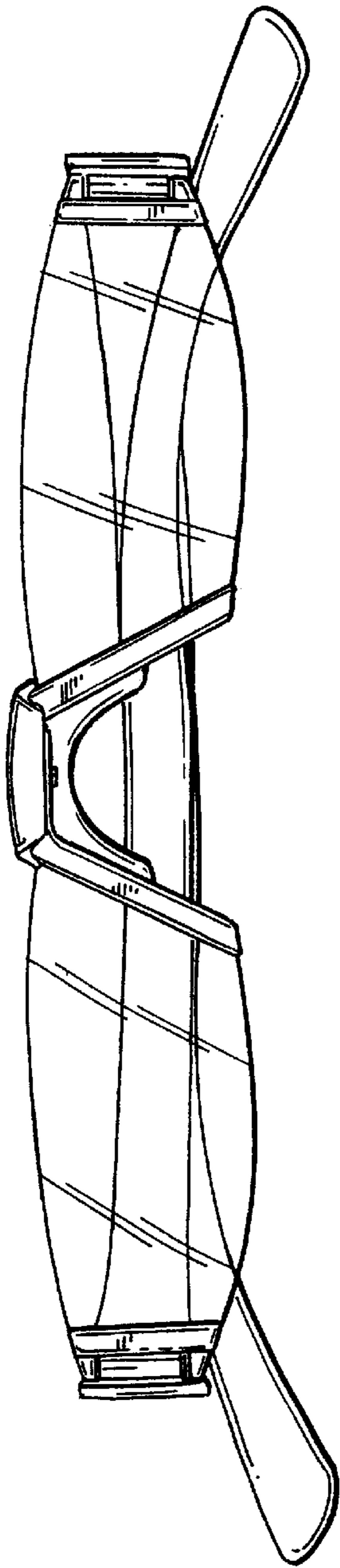


FIG. 1

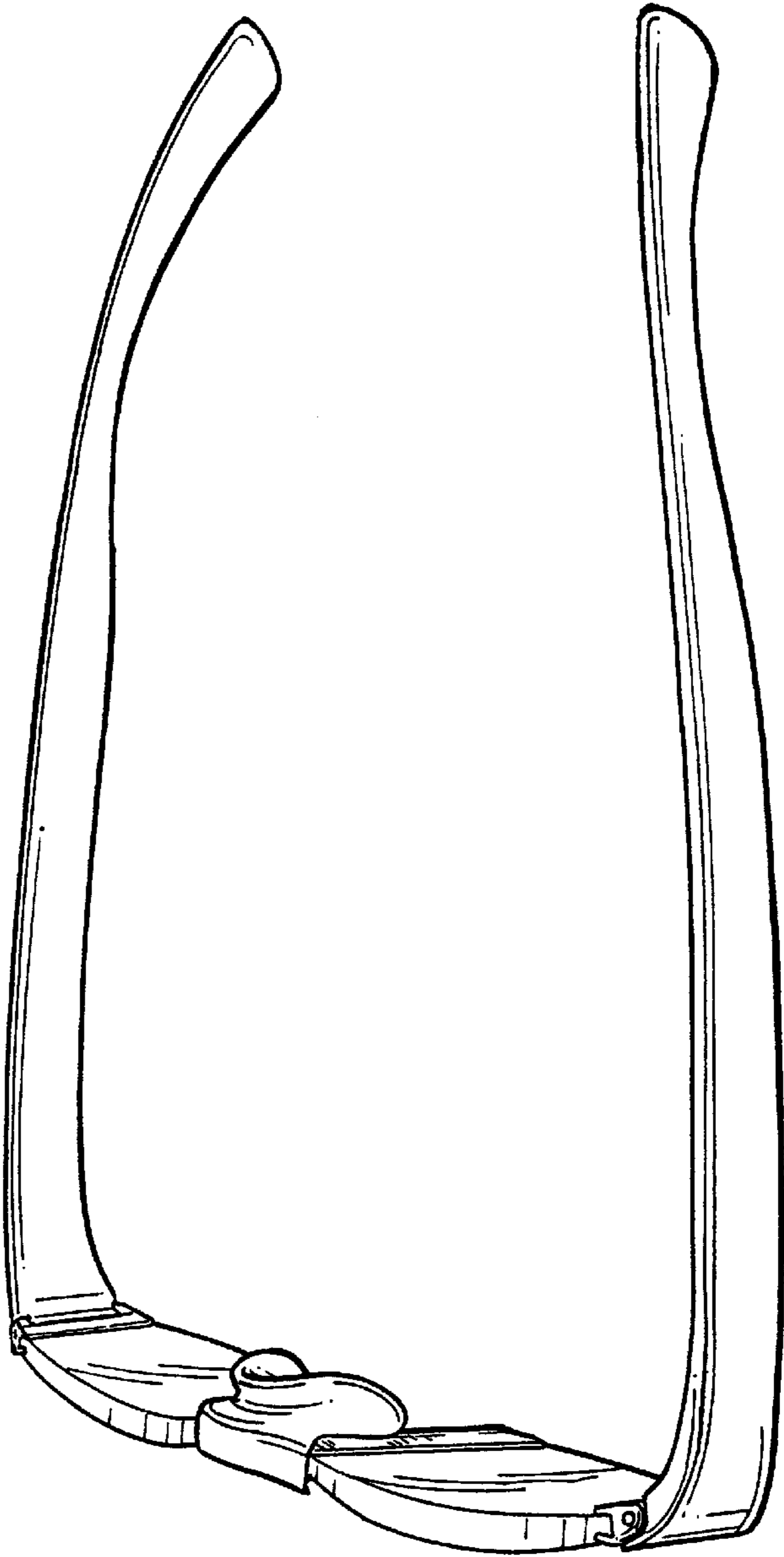


FIG. 3



FIG. 2

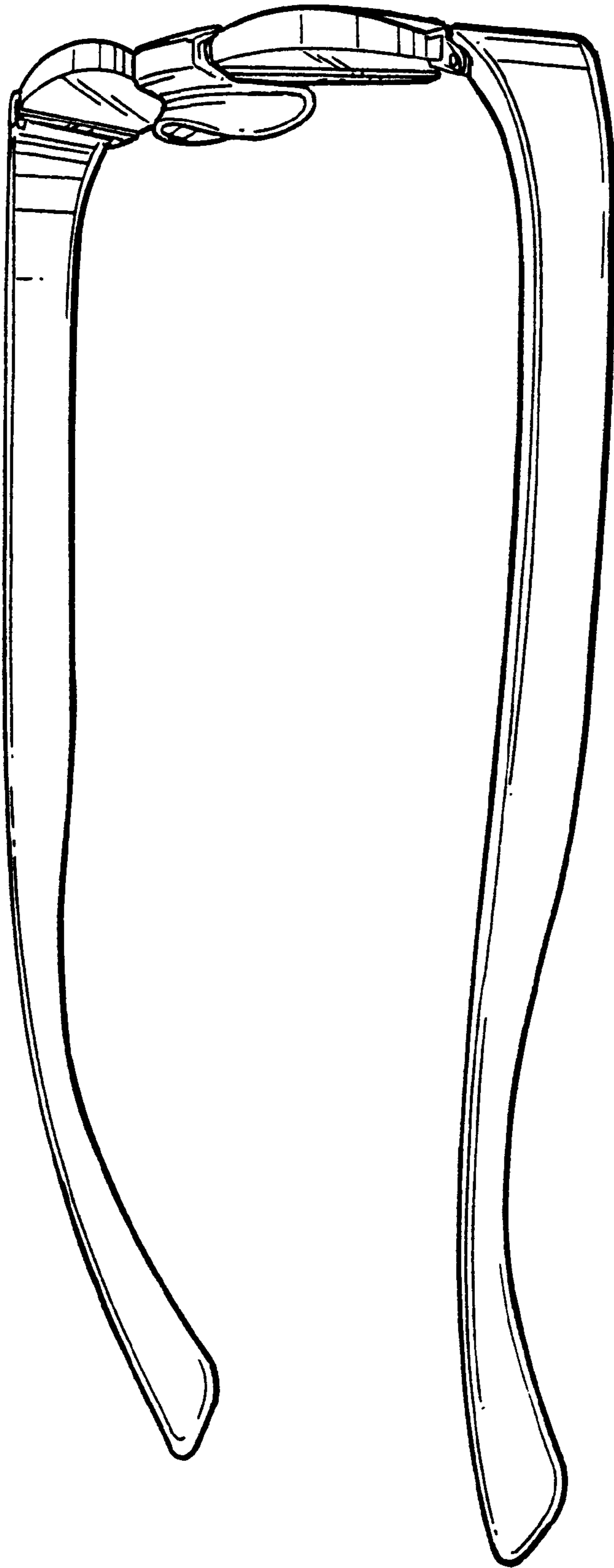


FIG. 4