



US00D451116B1

(12) **United States Design Patent**
Kono et al.

(10) **Patent No.:** **US D451,116 S**

(45) **Date of Patent:** **** Nov. 27, 2001**

(54) **ELECTRONIC STILL CAMERA**

http://www.casio.co.jp/productnews/wqv_1dset.html, Dec. 28, 2000.

(75) Inventors: **Kenichiro Kono**, Tokyo; **Tsuneo Kanbe**, Chiba, both of (JP)

* cited by examiner

(73) Assignee: **Sony Corporation**, Tokyo (JP)

(**) Term: **14 Years**

Primary Examiner—Adir Aronovich

(74) *Attorney, Agent, or Firm*—Rader, Fishman & Grauer, PLLC

(21) Appl. No.: **29/137,711**

(22) Filed: **Feb. 28, 2001**

(57) **CLAIM**

(51) **LOC (7) Cl.** **16-01**

The ornamental design for an electronic still camera, as shown and described.

(52) **U.S. Cl.** **D16/202**; D10/31; D16/208

(58) **Field of Search** D10/30, 31, 38;
D16/200, 201, 202, 203, 208, 218; 348/373–376,
552; 358/909.1; 368/10; 396/429, 535,
540, 541

DESCRIPTION

(56) **References Cited**

U.S. PATENT DOCUMENTS

- D. 163,860 * 7/1951 Geoffrion D10/38
- D. 210,462 * 3/1968 Roberts et al. D10/31
- D. 342,539 * 12/1993 Miyahara D16/202
- D. 427,918 * 7/2000 Nakai et al. D10/31
- D. 429,468 * 8/2000 Nakai et al. D10/31
- 6,249,487 * 6/2001 Yano et al. .

FIG. 1 is a perspective view of an electronic still camera showing our new design;

FIG. 2 is a front elevational view thereof;

FIG. 3 is a left side elevational view thereof;

FIG. 4 is a right side elevational view thereof;

FIG. 5 is a top plan view thereof; and,

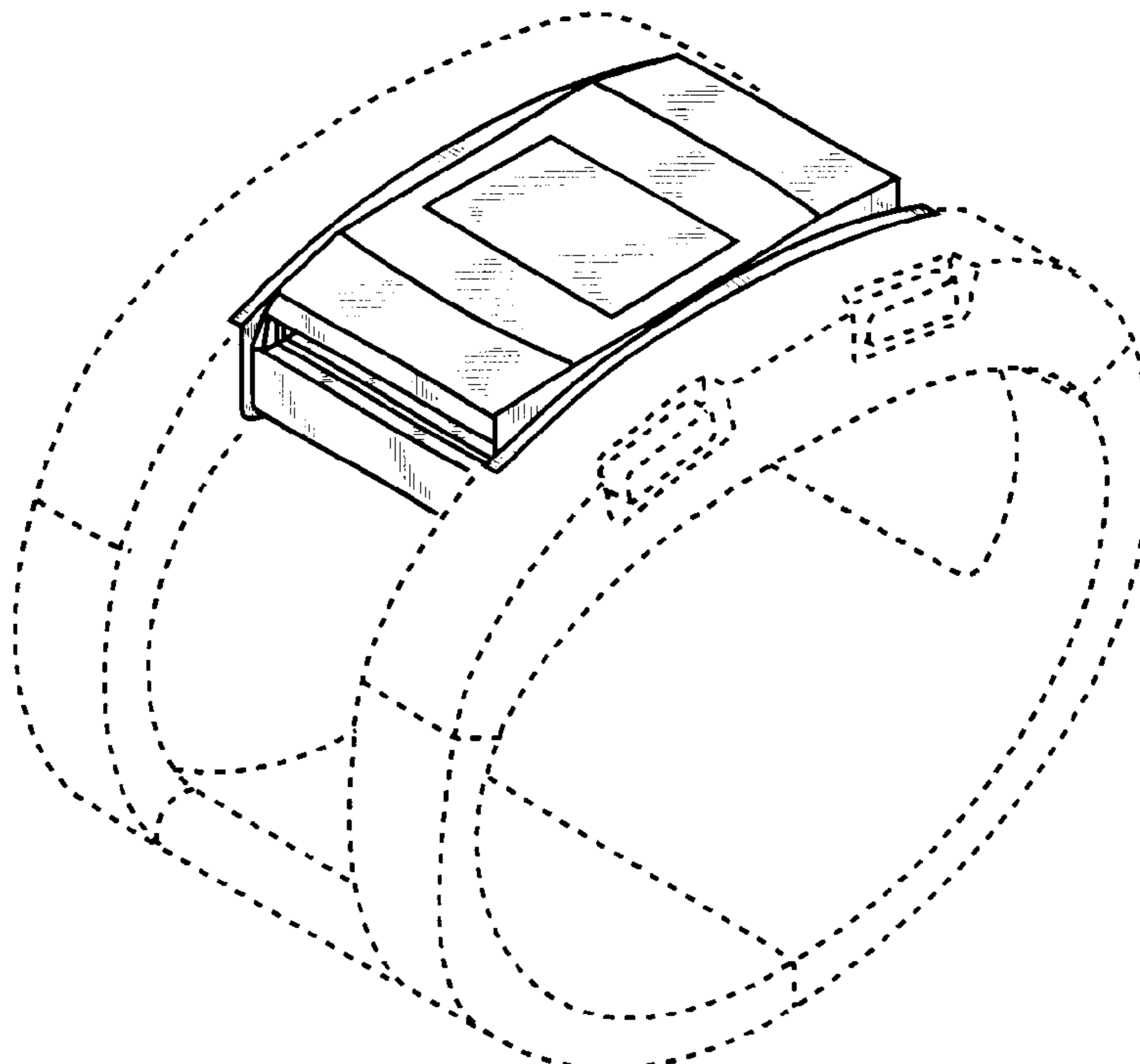
FIG. 6 is a bottom plan view thereof.

The broken line showing of a wrist watch strap is shown to illustrate environment only and forms no part of the claimed design.

OTHER PUBLICATIONS

- <http://www.casio.co.jp/ww/wc/lineup.html>, Dec. 11, 2000.
- http://www.casio.co.jp/productnews/wqv_1_wmplv.htm1, Dec. 28, 2000.

1 Claim, 3 Drawing Sheets



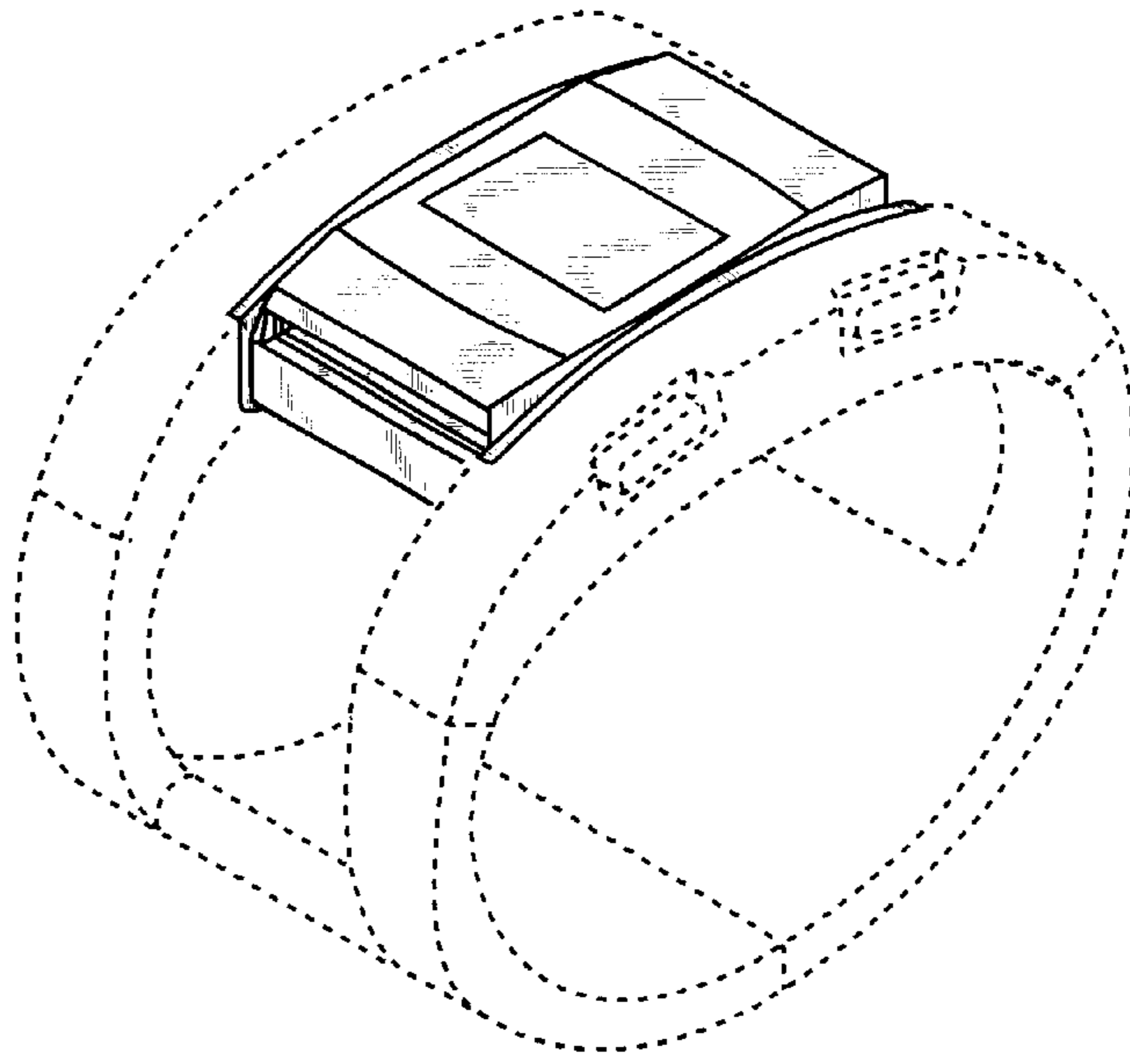


Fig. 1

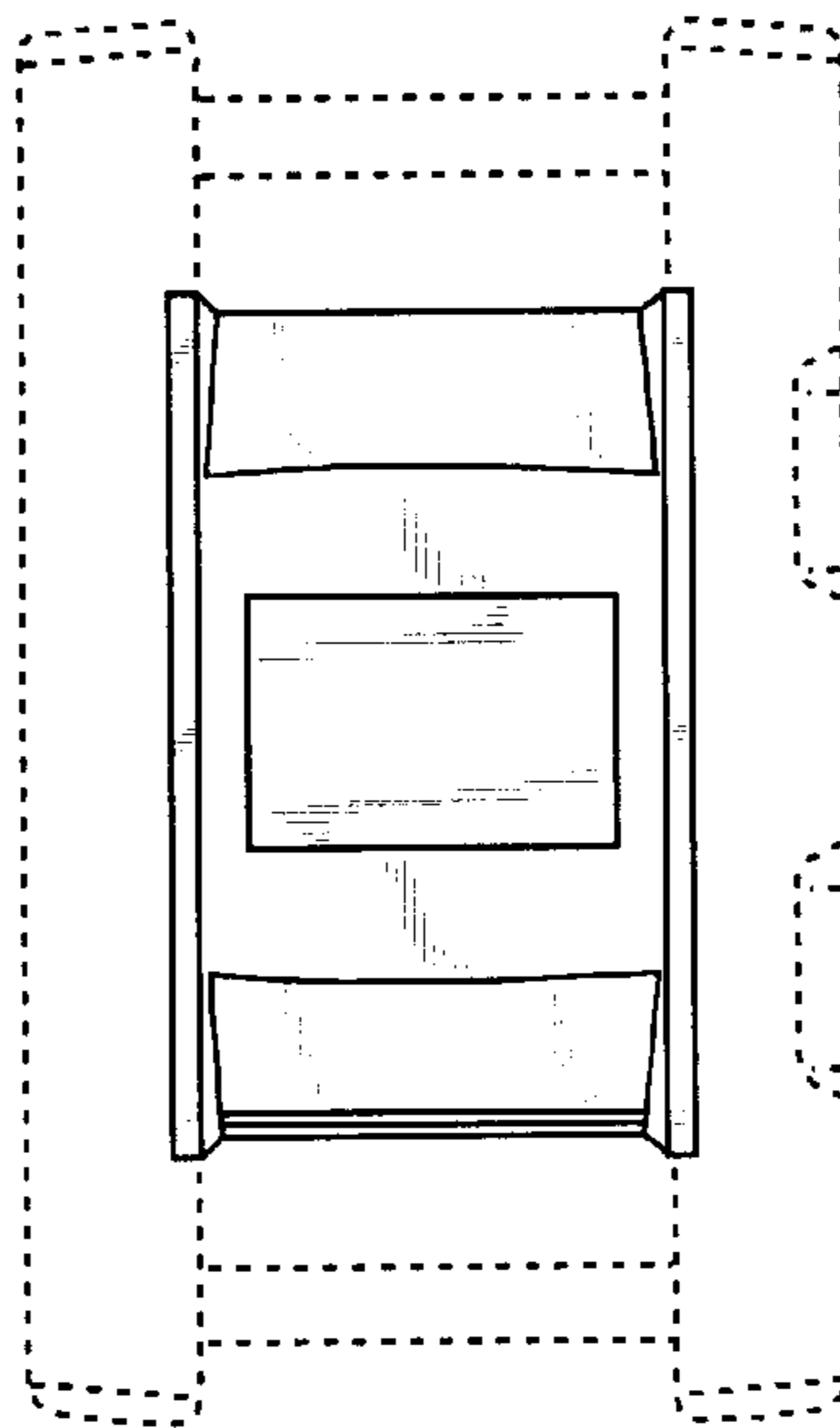


Fig. 2

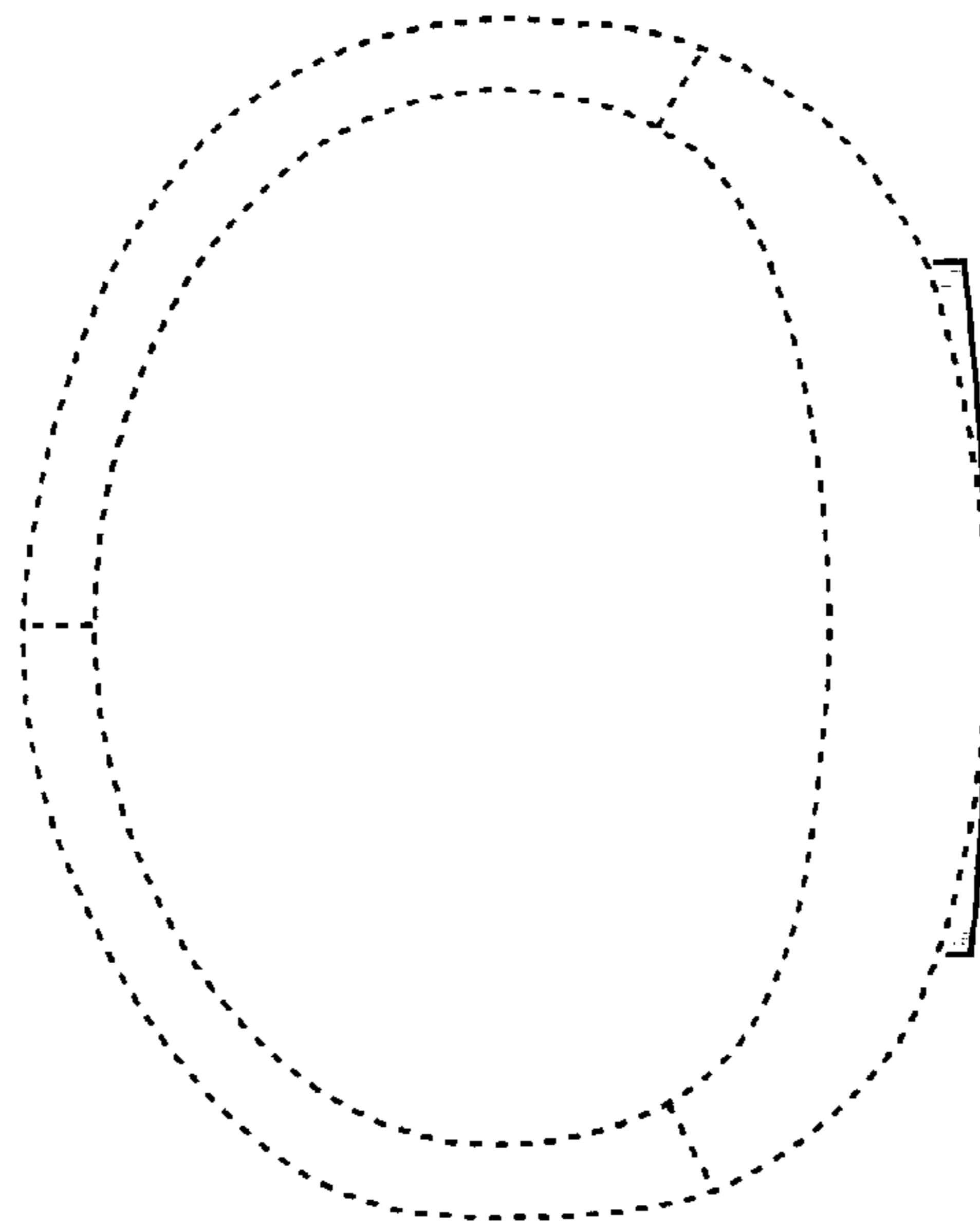


Fig. 3

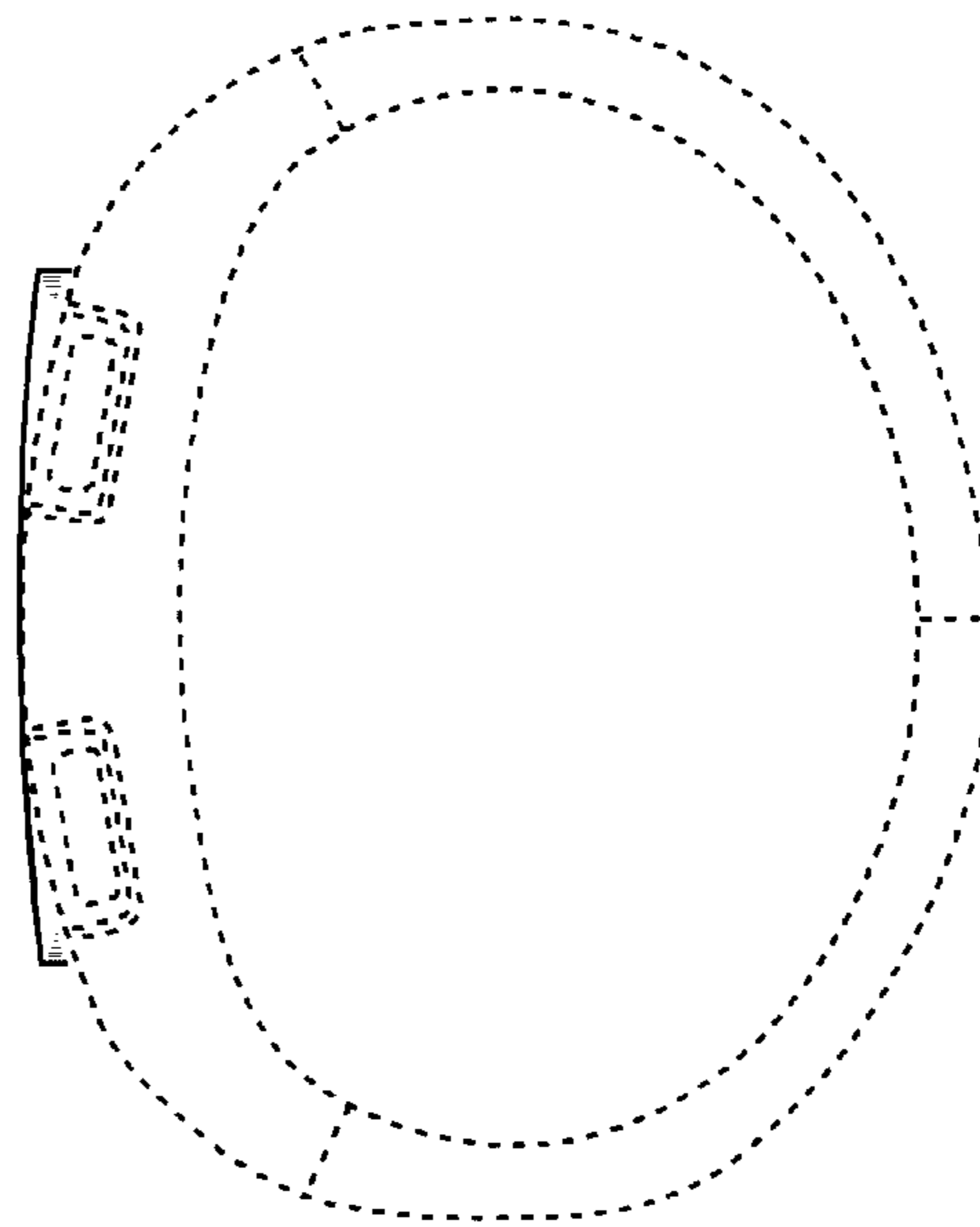


Fig. 4

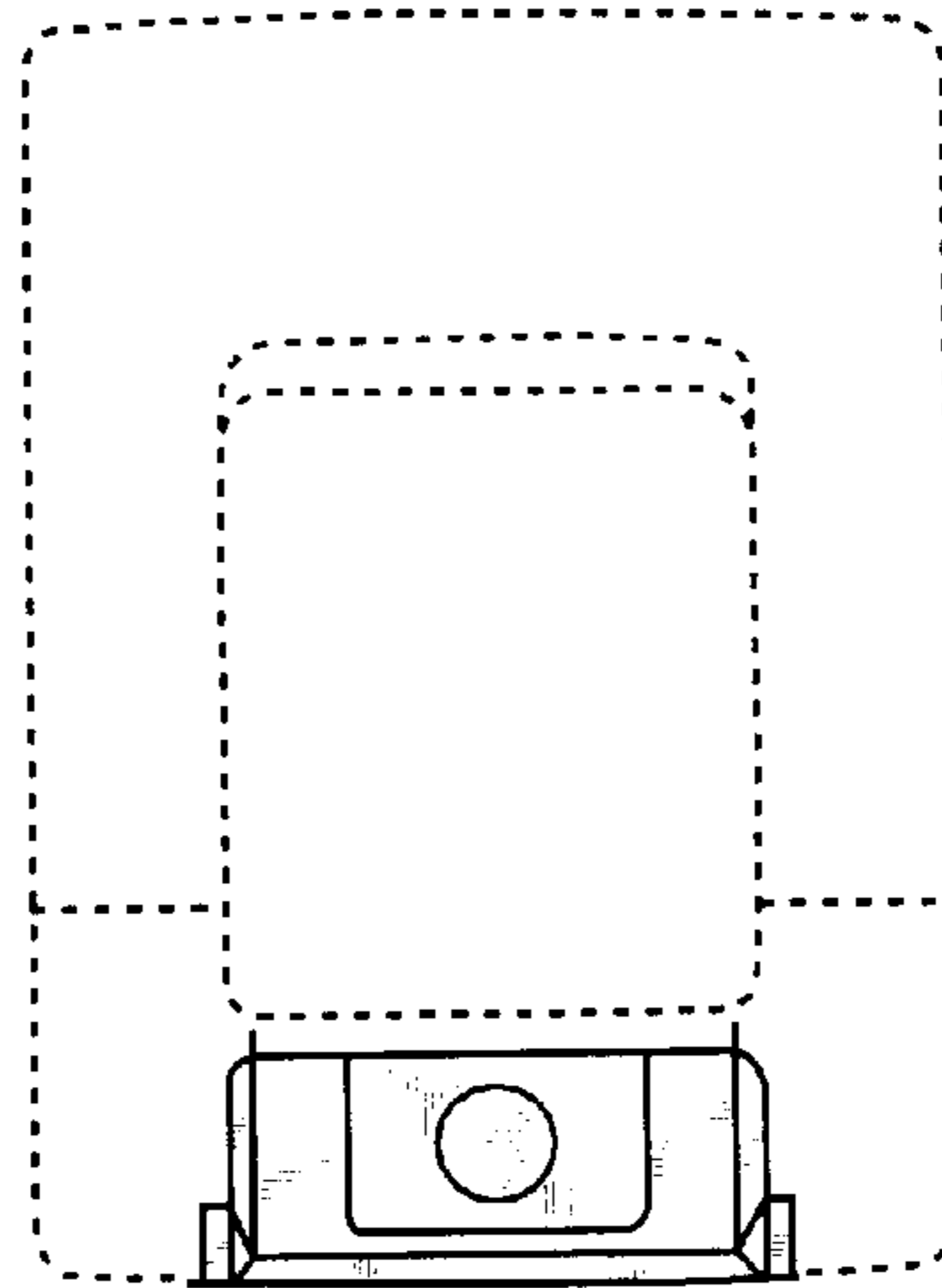


Fig. 5

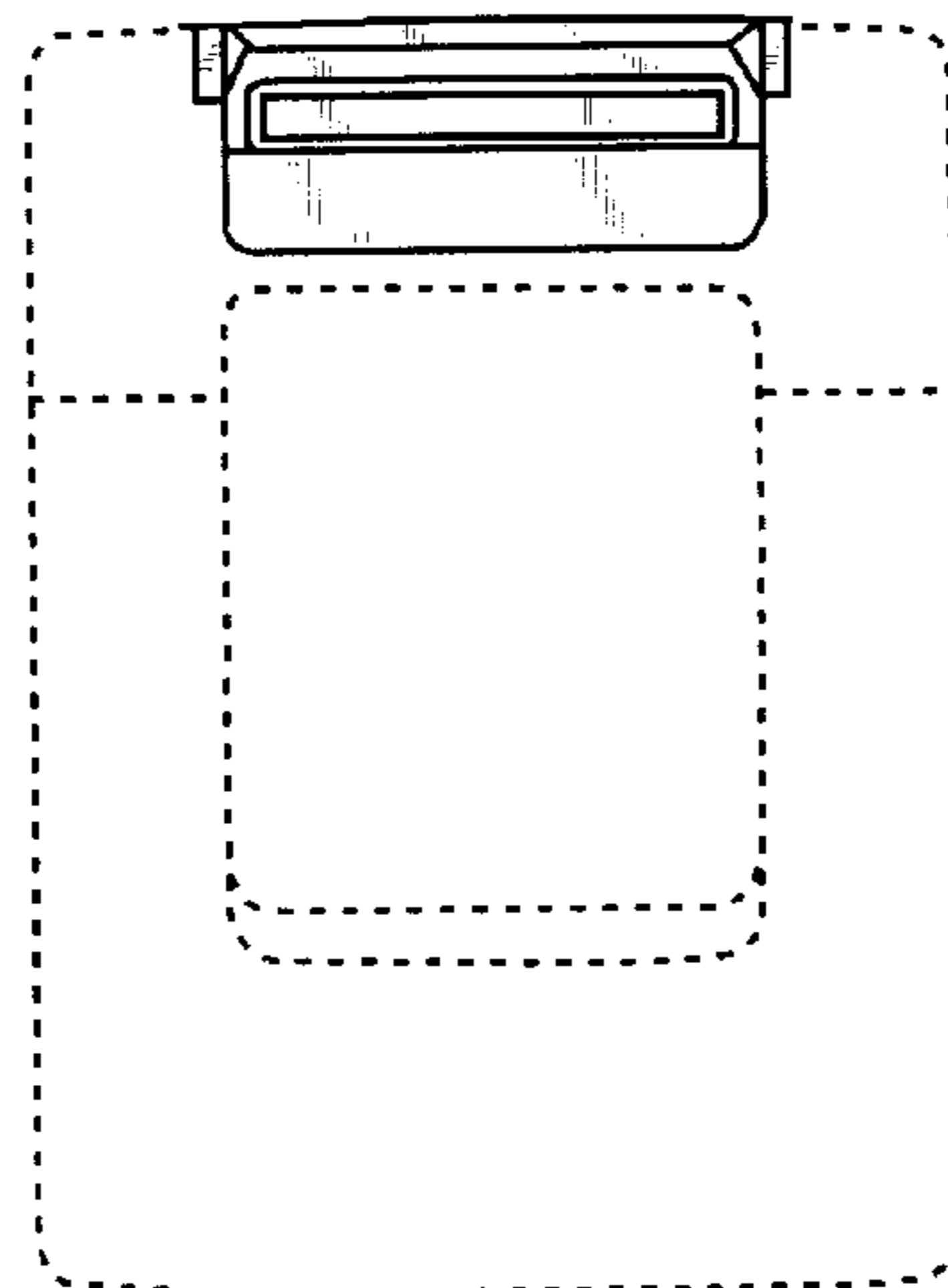


Fig. 6