



US00D451115B1

(12) **United States Design Patent**
Sumita

(10) **Patent No.:** **US D451,115 S**

(45) **Date of Patent:** **** Nov. 27, 2001**

(54) **ELECTRONIC STILL CAMERA WITH MONITOR**

FOREIGN PATENT DOCUMENTS

1079569 * 7/2000 (JP) .

(75) Inventor: **Kaoru Sumita**, Tokyo (JP)

OTHER PUBLICATIONS

(73) Assignee: **Sony Corporation**, Tokyo (JP)

“Point Network 48” (Olympus C-2000ZOOM, Fuji Film/ Fine picks 2900, Nikon COOLPIX700) Yodobashi Camera; Jun. 17, 1999; pp. 5 & 39.

(**) Term: **14 Years**

“92” (MVC-FD88K, MVC-FD83K, MVC-FD73K, MVC-FD81 & MVC-FD71) Sony, Jul. 1999; pp. 215 & 216.

(21) Appl. No.: **29/136,896**

(22) Filed: **Feb. 9, 2001**

* cited by examiner

Related U.S. Application Data

(62) Division of application No. 29/119,440, filed on Feb. 28, 2000, now Pat. No. Des. 442,614.

Primary Examiner—Adir Aronovich

(51) **LOC (7) Cl.** **16-01**

(74) *Attorney, Agent, or Firm*—Rader, Fishman & Grauer, PLLC

(52) **U.S. Cl.** **D16/202**

(58) **Field of Search** D16/200–206,
D16/208, 218; 348/373–376; 358/906, 909.1;
396/535–541

(57) **CLAIM**

The ornamental design for an electronic still camera with monitor, as shown and described.

(56) **References Cited**

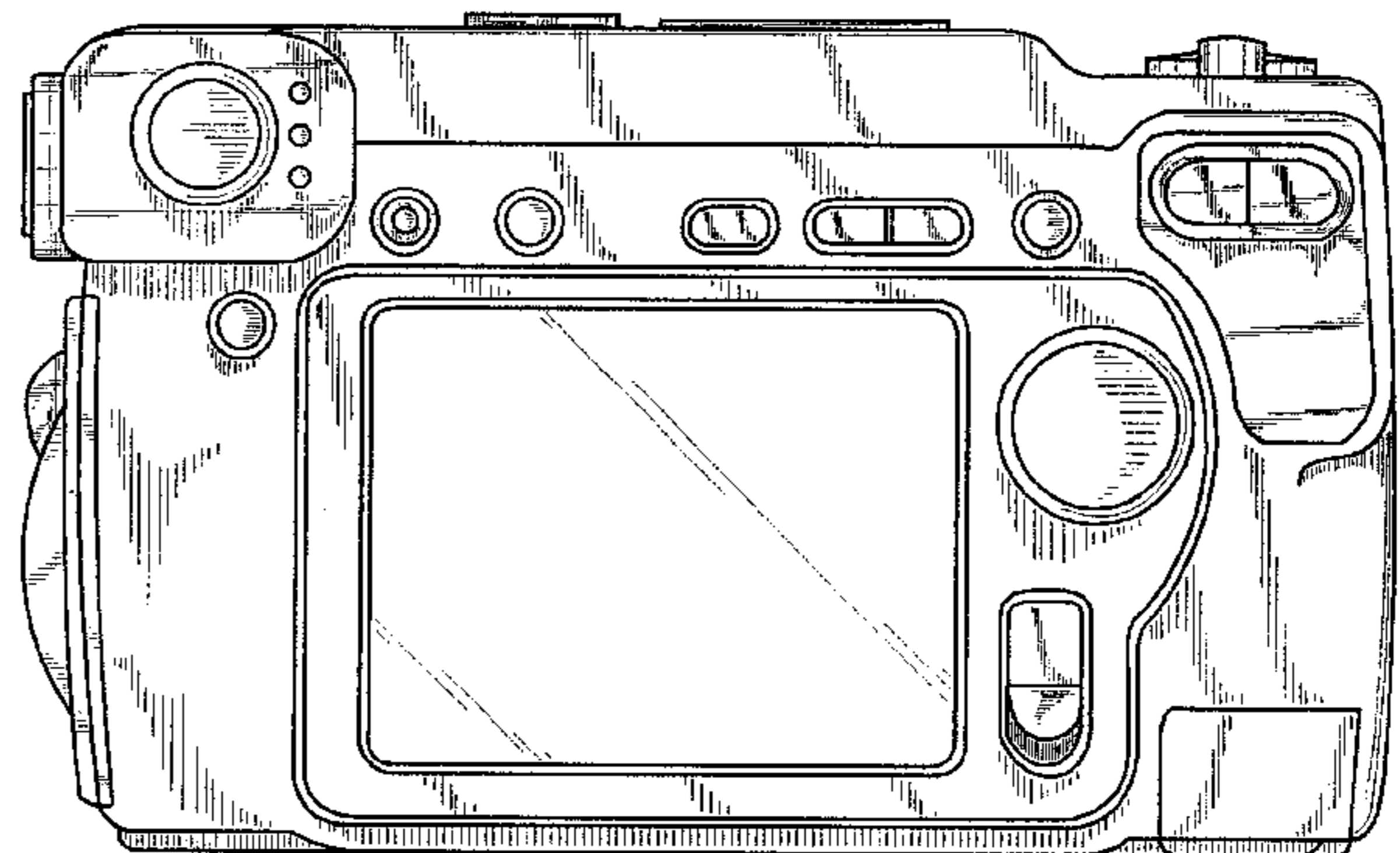
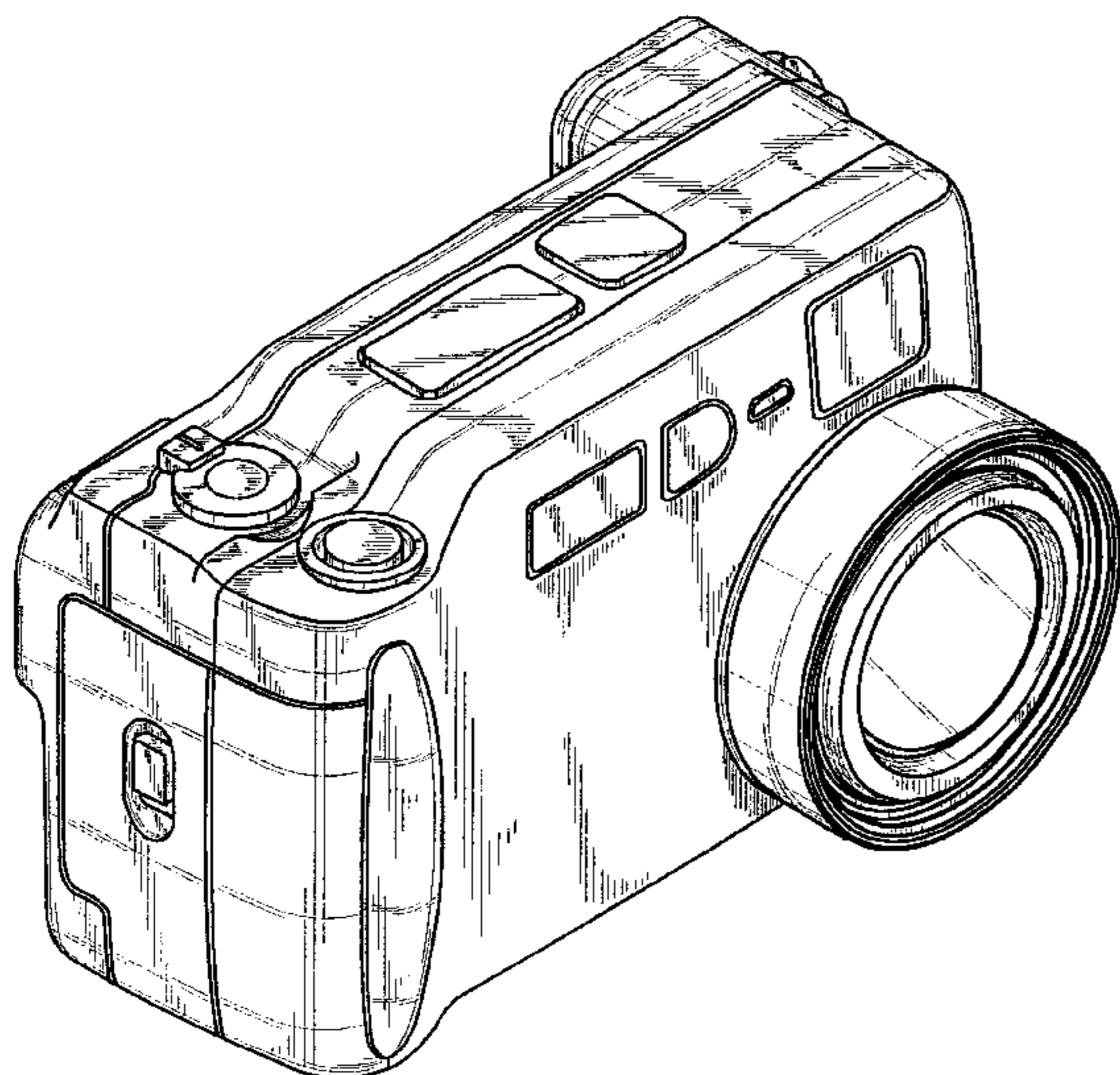
DESCRIPTION

U.S. PATENT DOCUMENTS

D. 371,377	7/1996	Miyahara	D16/202
D. 384,088	9/1997	Isozaki et al.	D16/202
D. 384,963	10/1997	Sekita	D16/202
D. 388,449	* 12/1997	Ohi et al.	D16/202
D. 403,687	1/1999	Sekita	D16/202
D. 424,084	5/2000	Senda	D16/202
D. 424,085	* 5/2000	Naito	D16/202
D. 425,091	5/2000	Konno et al.	D16/202
6,181,380	* 1/2001	Toyofuku et al.	348/373

FIG. 1 is a perspective view of an electronic still camera with a monitor showing my design;
FIG. 2 is a top plan view thereof;
FIG. 3 is a bottom plan view thereof;
FIG. 4 is a left side elevational view thereof;
FIG. 5 is a right side elevational view thereof;
FIG. 6 is a front elevational view thereof; and,
FIG. 7 is a rear elevational view thereof.

1 Claim, 4 Drawing Sheets



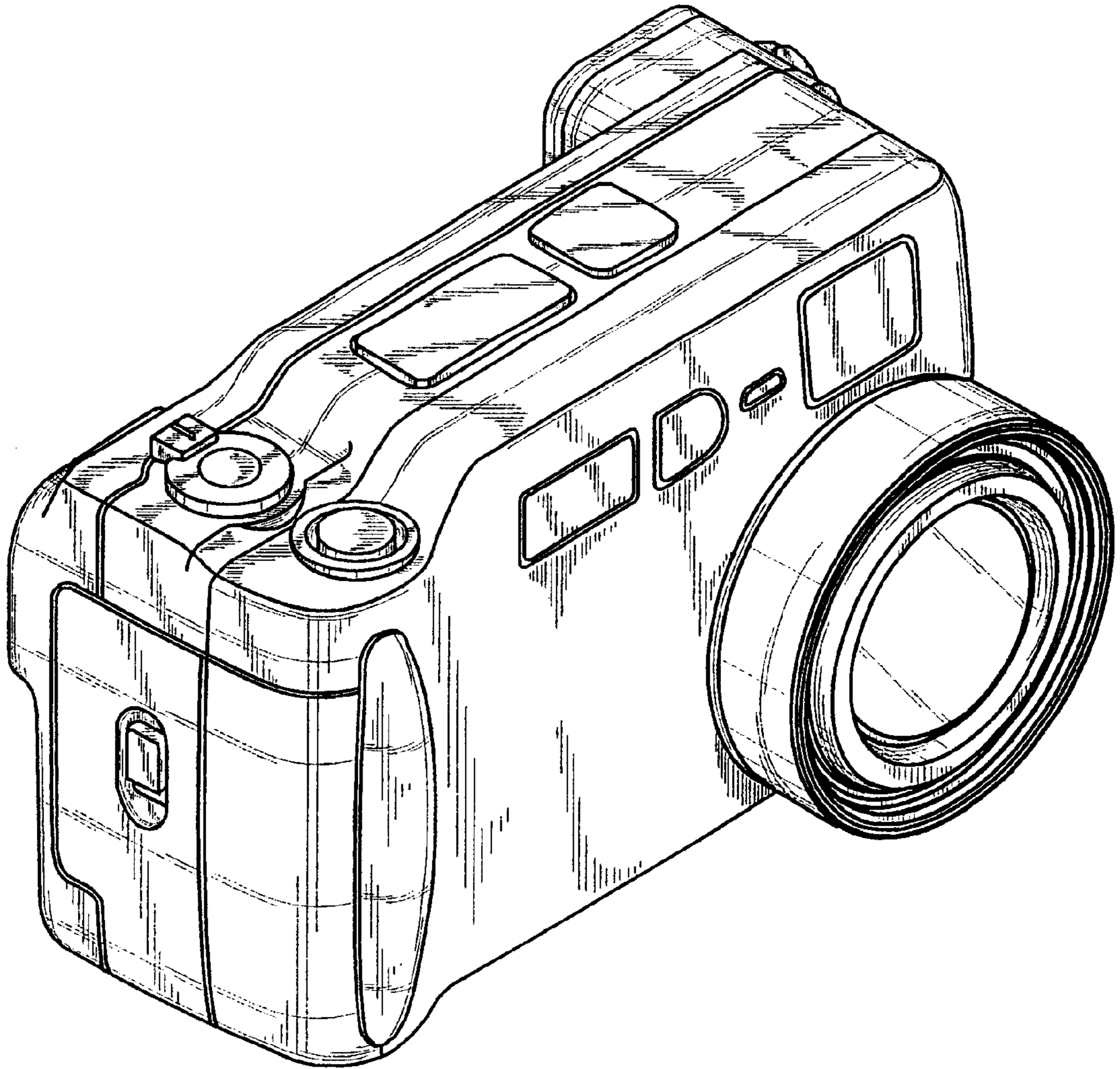


Fig. 1

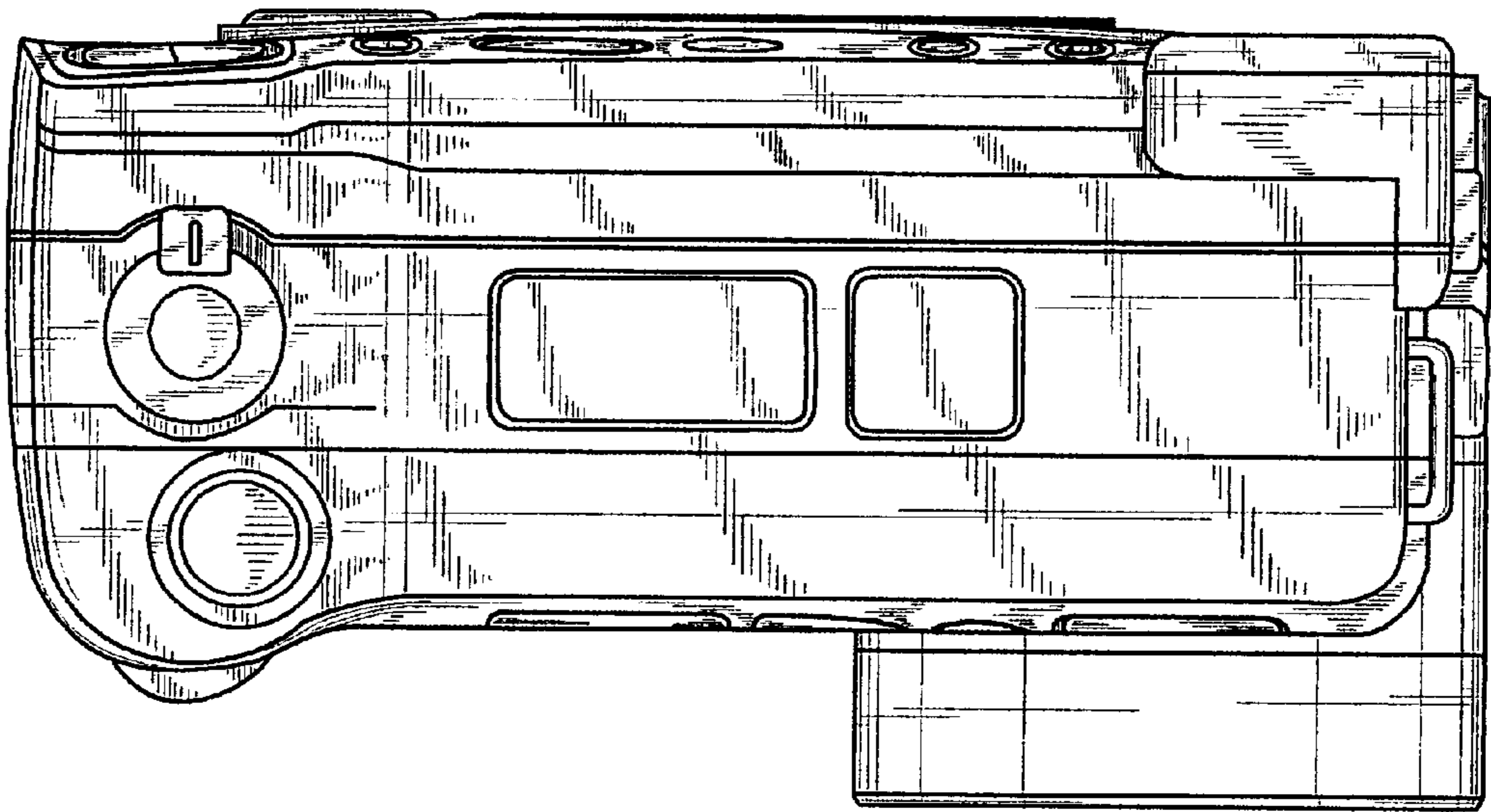


Fig. 2

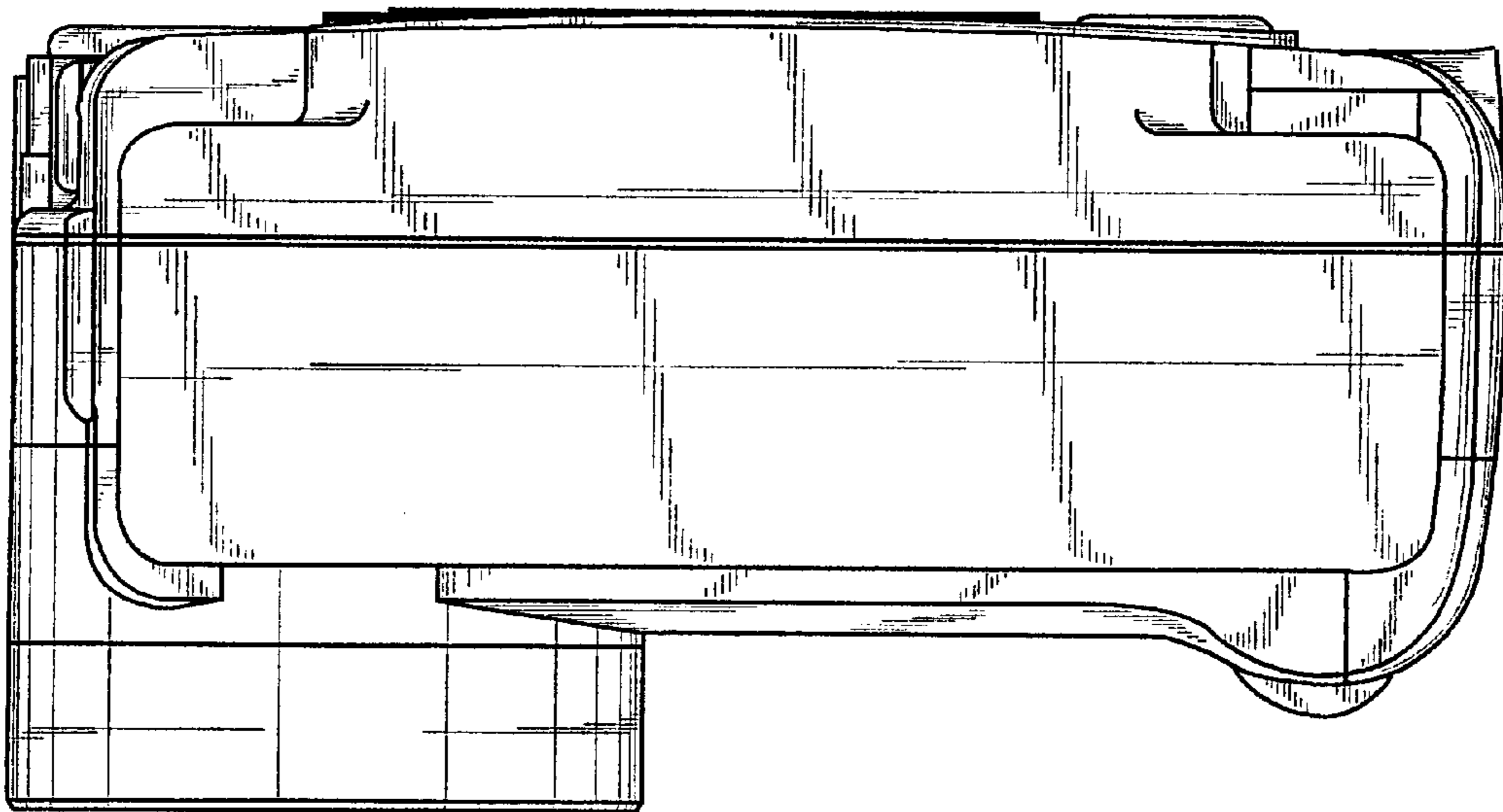


Fig. 3

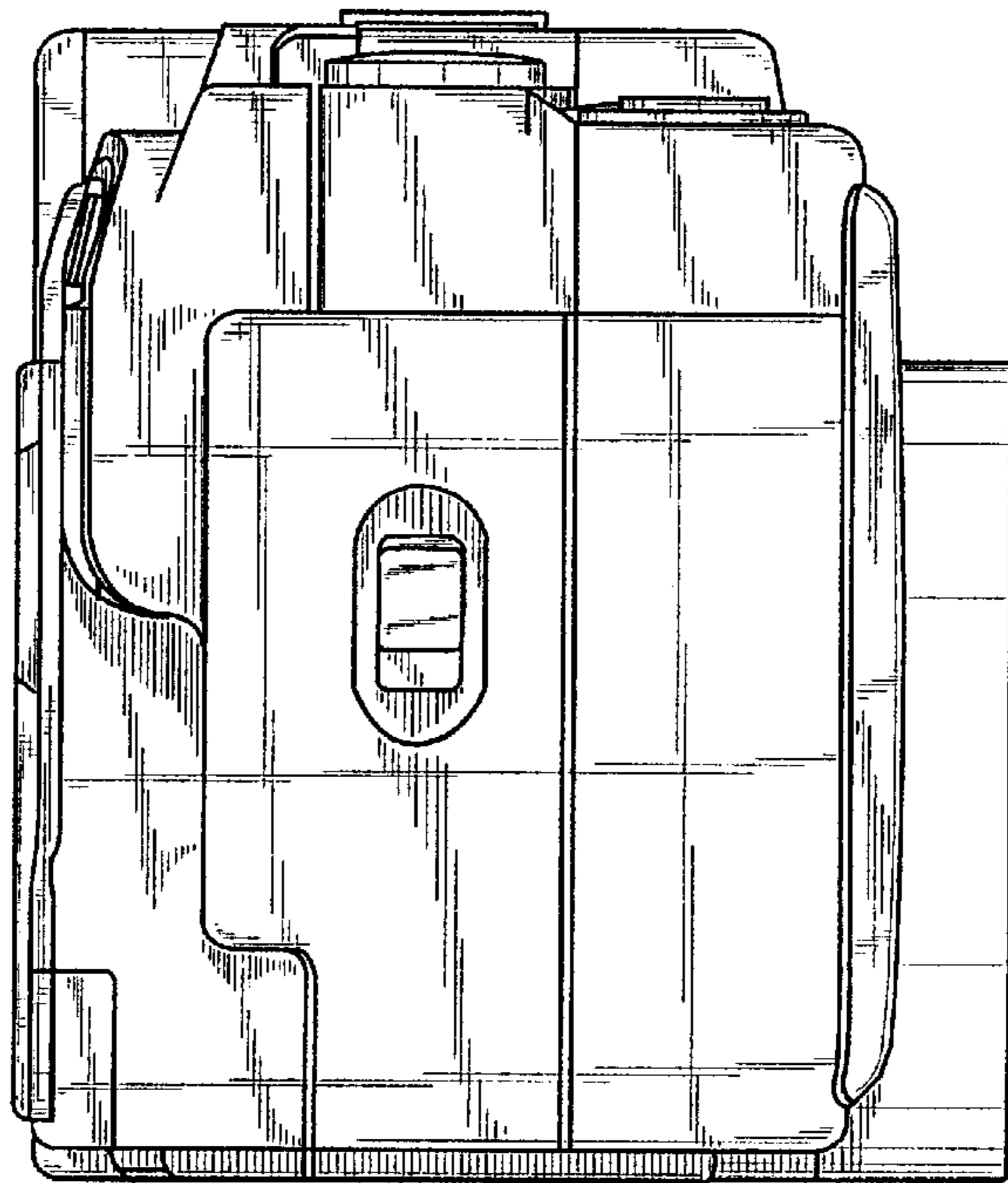


Fig. 4

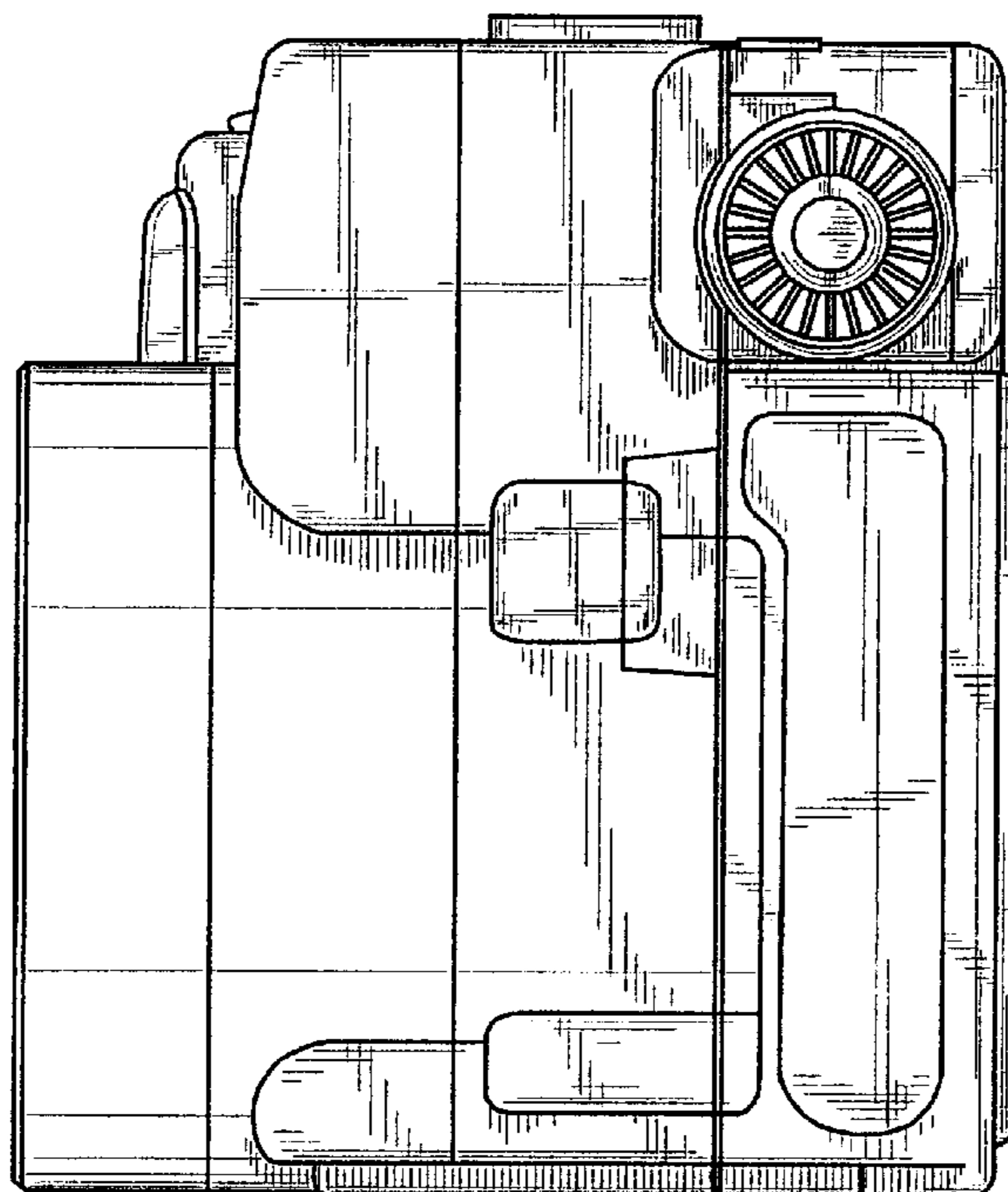


Fig. 5

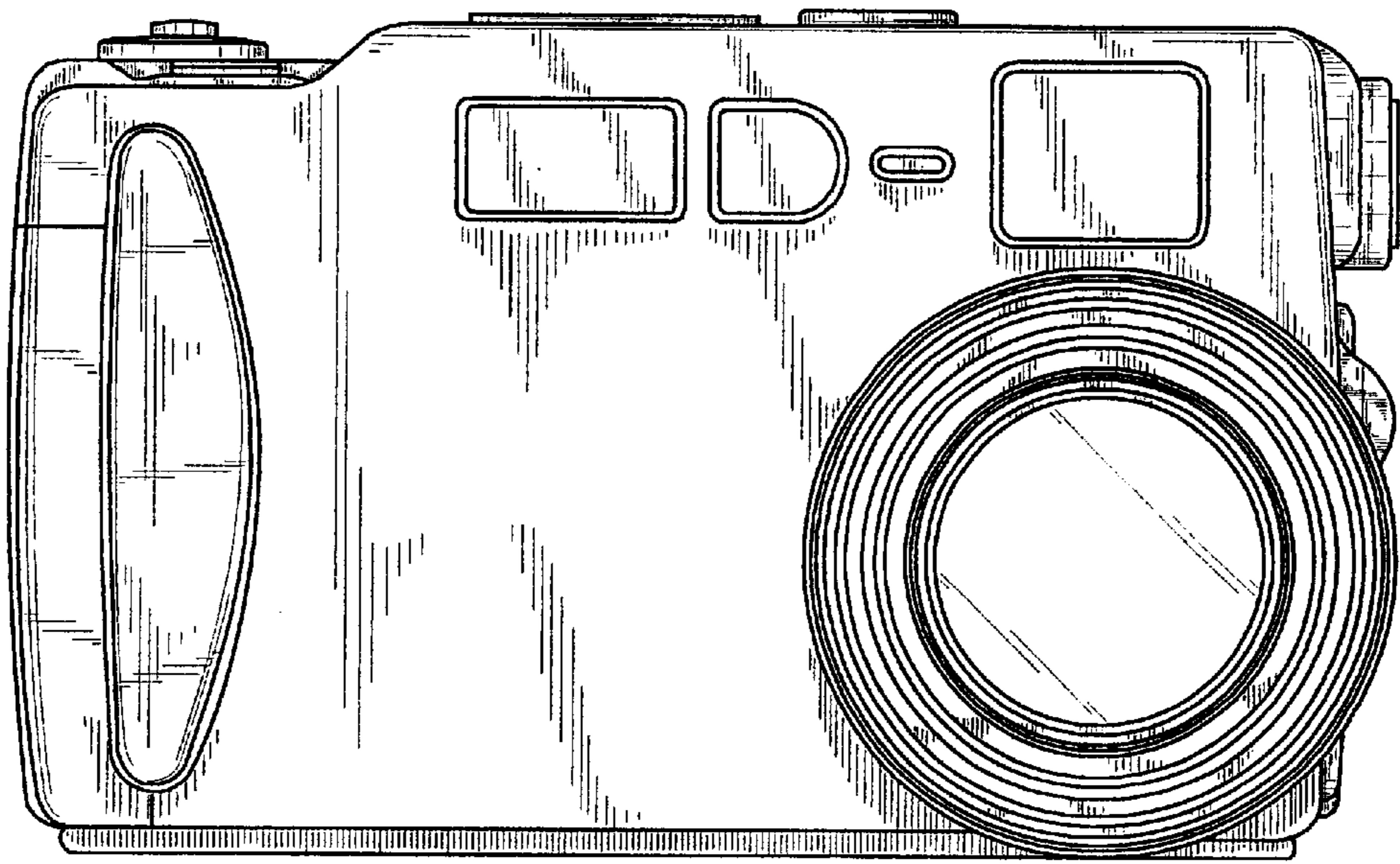


Fig. 6

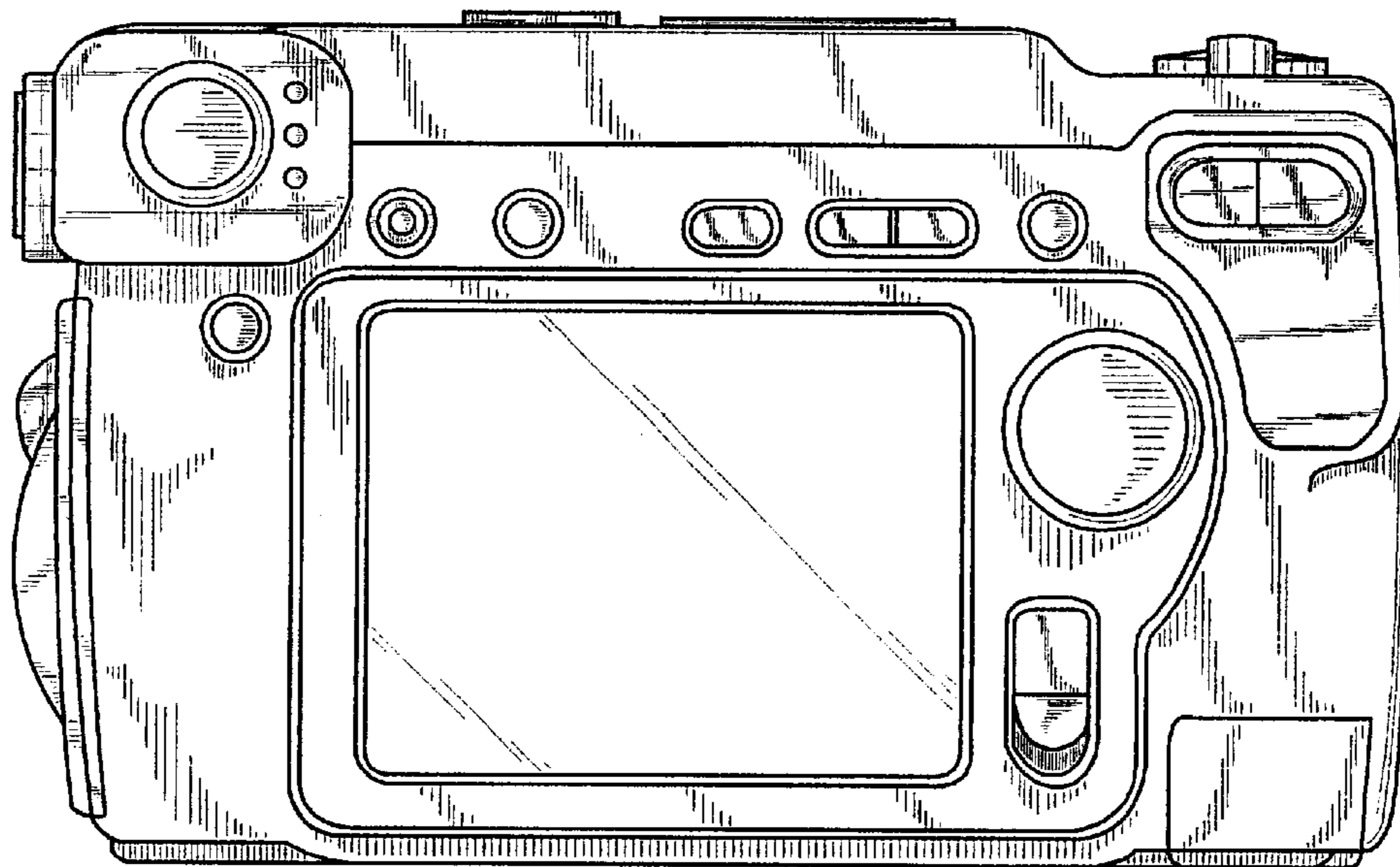


Fig. 7