



US00D451113B1

(12) **United States Design Patent**  
**Shintani et al.**

(10) **Patent No.:** **US D451,113 S**

(45) **Date of Patent:** **\*\* Nov. 27, 2001**

(54) **NOZZLE FOR A PLASMA ARC TORCH**

(75) Inventors: **Toshiya Shintani**, Hiratsuka; **Toru Shiina**, Tokyo; **Yoshitaka Niigaki**; **Iwao Kurokawa**, both of Hiratsuka, all of (JP)

(73) Assignee: **Komatsu Ltd.**, Tokyo (JP)

(\*\*) Term: **14 Years**

(21) Appl. No.: **29/135,711**

(22) Filed: **Jan. 18, 2001**

(51) **LOC (7) Cl.** ..... **15-09**

(52) **U.S. Cl.** ..... **D15/144**

(58) **Field of Search** ..... D15/144, 144.1, D15/144.2; 219/121.44, 121.5

(56) **References Cited**

**U.S. PATENT DOCUMENTS**

D. 414,788 \* 10/1999 Shintani et al. .... D15/144

\* cited by examiner

*Primary Examiner*—Antoine Duval Davis

(74) *Attorney, Agent, or Firm*—Kanesaka & Takeuchi

(57) **CLAIM**

The ornamental design for a nozzle for a plasma arc torch, as shown and described.

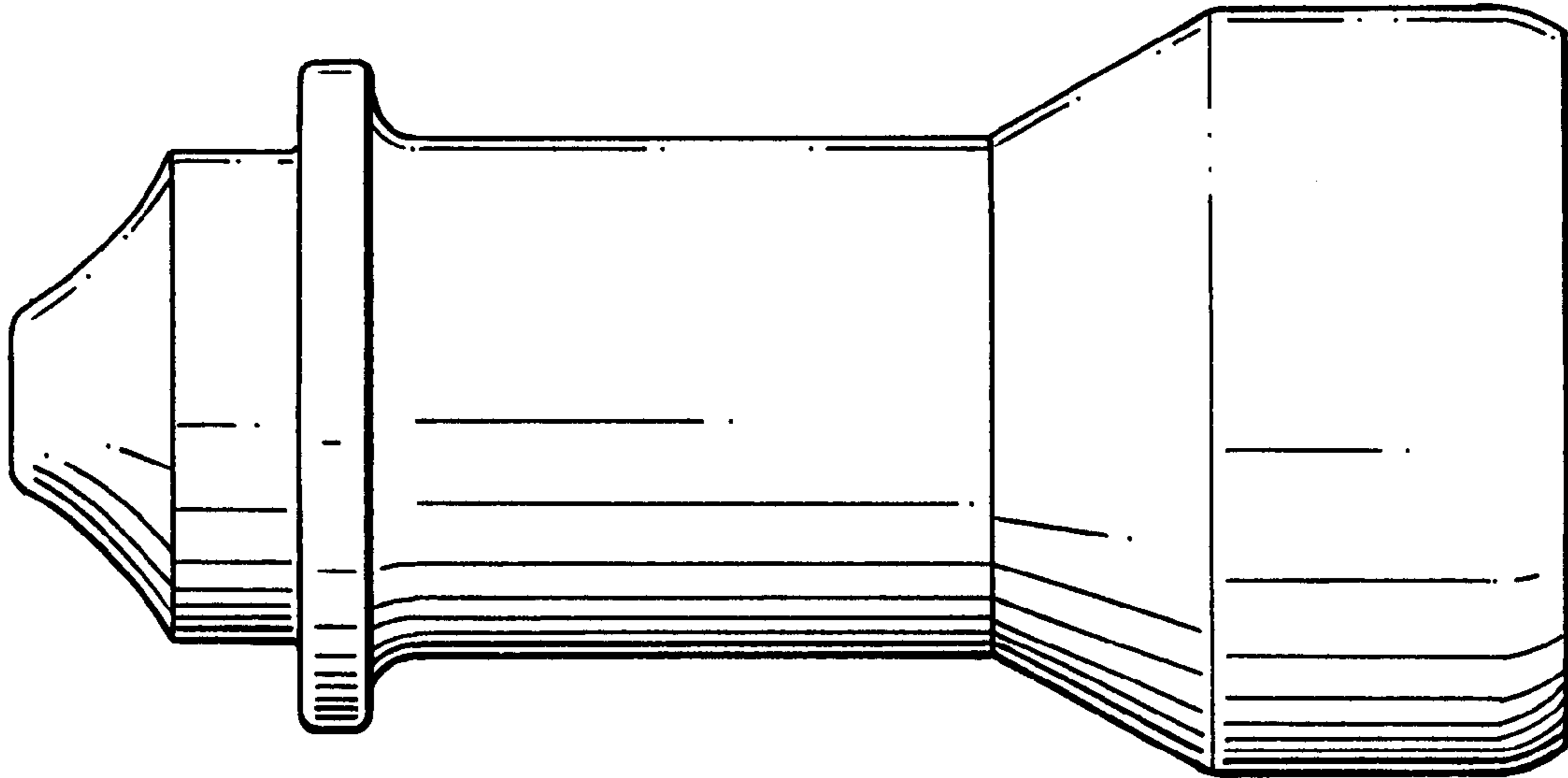
**DESCRIPTION**

FIG. 1 is a front view of a nozzle for a plasma arc torch showing our new design, the top plan view and the bottom plan view respectively being identical to the front view, the rear view being symmetrical to the front view;

FIG. 2 is a left side view thereof; and,

FIG. 3 is a right side view thereof.

**1 Claim, 2 Drawing Sheets**



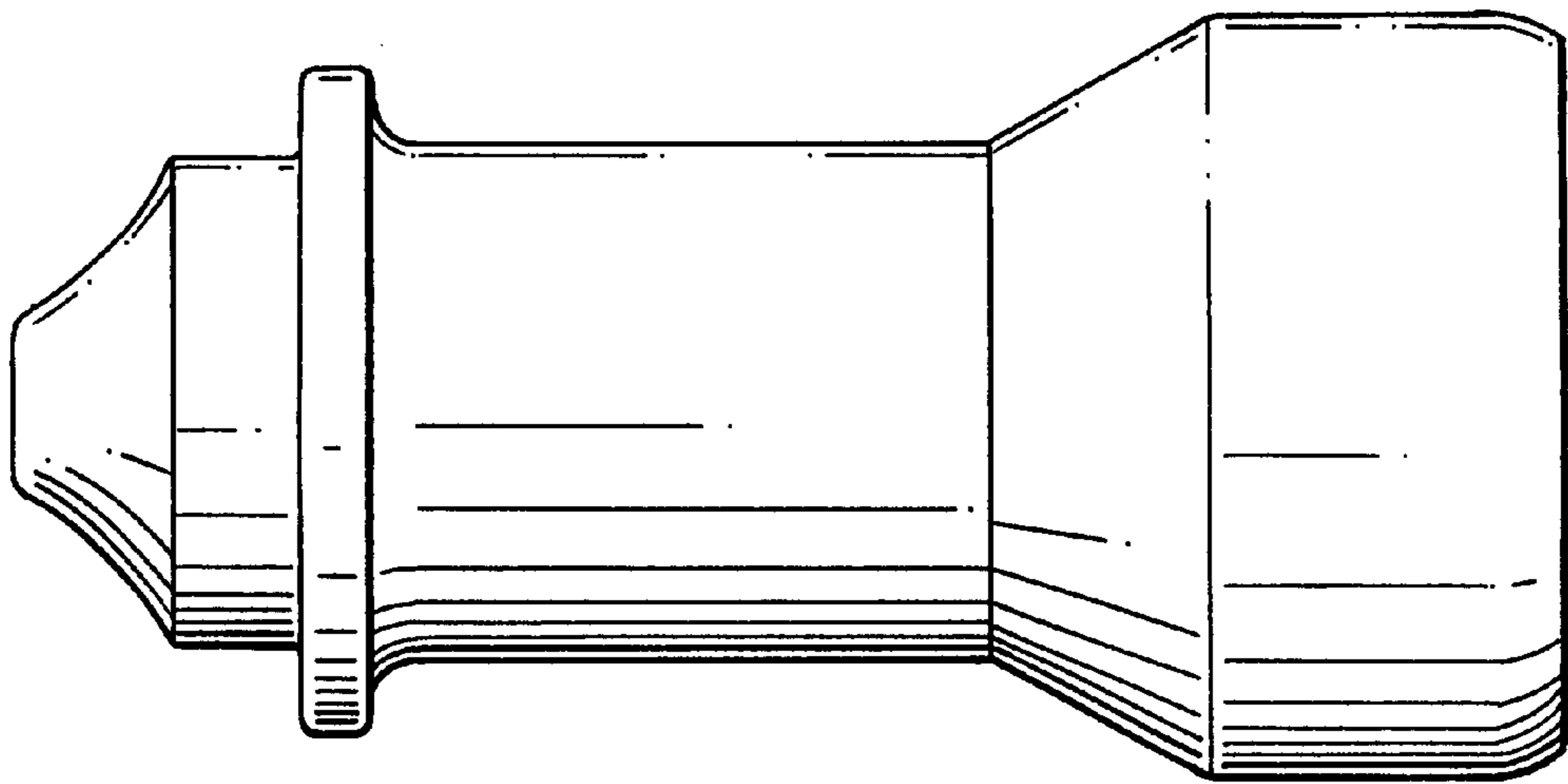


FIG. 1

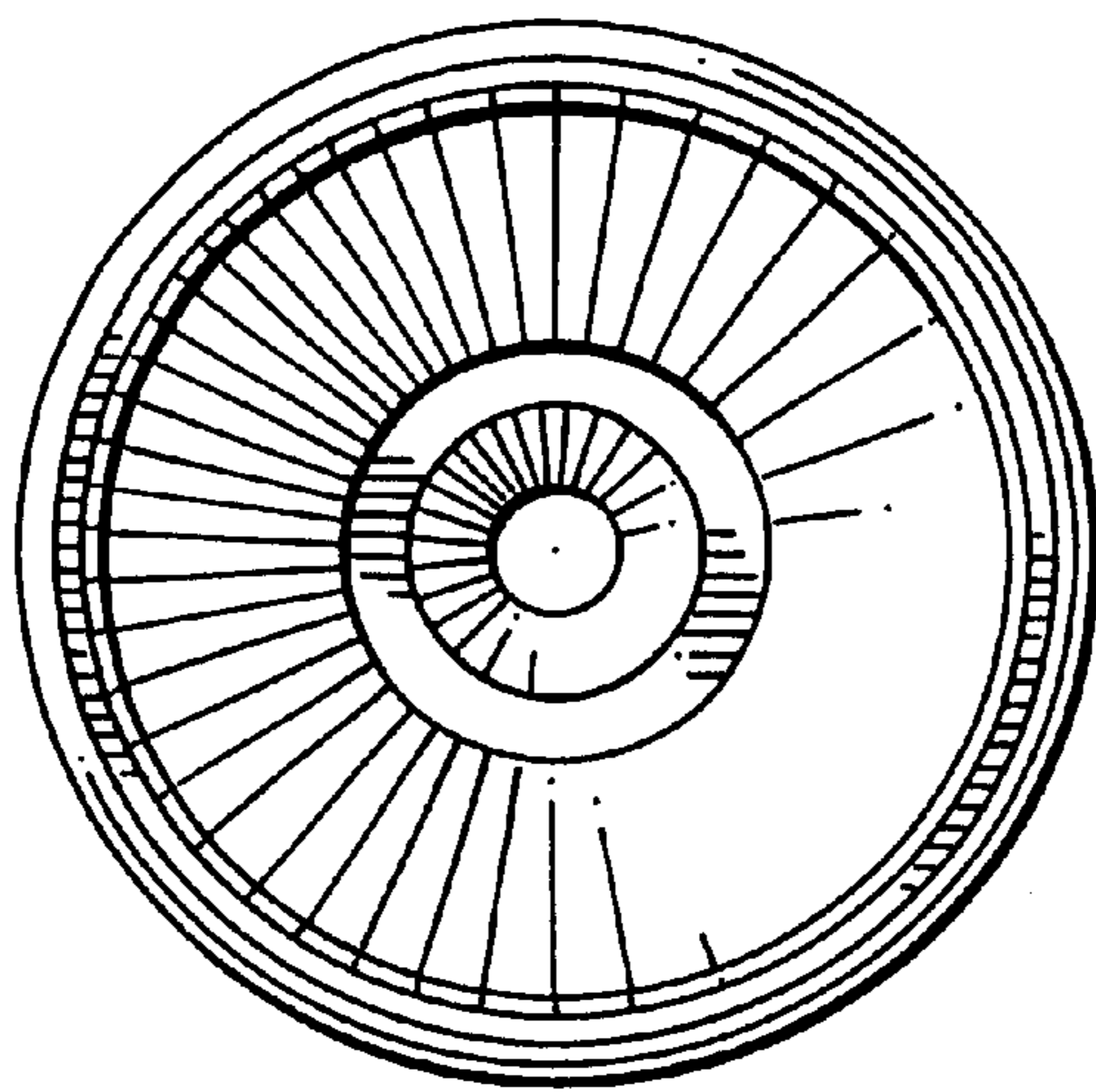
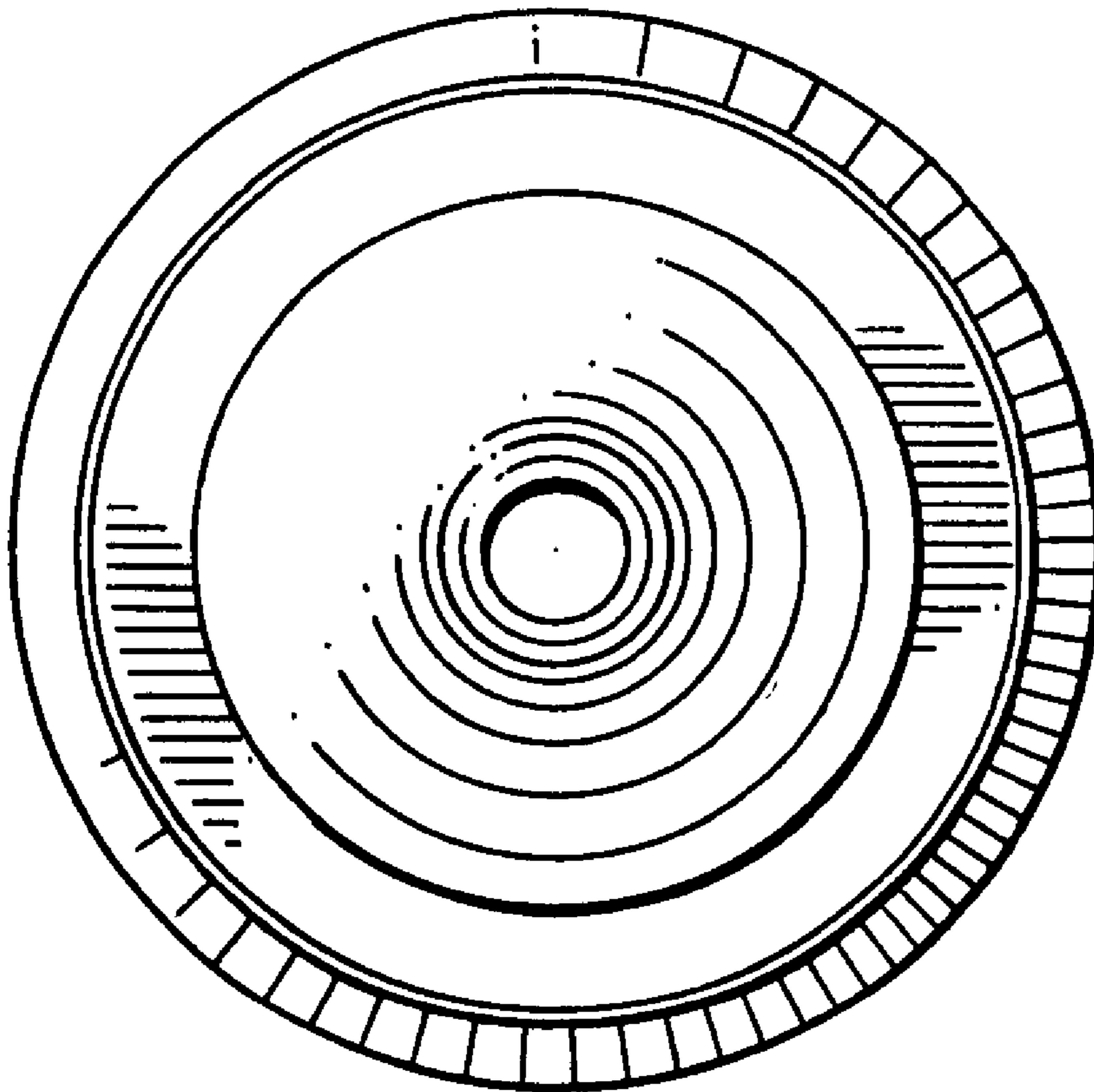


FIG. 2



**FIG. 3**