



US00D451112B1

(12) **United States Design Patent**  
**Trybula**

(10) **Patent No.:** **US D451,112 S**

(45) **Date of Patent:** **\*\* Nov. 27, 2001**

(54) **COLLET HEAD**

(75) Inventor: **Stanley Trybula**, Chicago, IL (US)

(73) Assignee: **Mid-West Screw Products, Inc.**,  
Chicago, IL (US)

(\*\*) Term: **14 Years**

(21) Appl. No.: **29/135,799**

(22) Filed: **Jan. 17, 2001**

(51) **LOC (7) Cl.** ..... **15-09**

(52) **U.S. Cl.** ..... **D15/140**

(58) **Field of Search** ..... D15/140; 279/46.7,  
279/46.9, 46.3, 57, 58

(56) **References Cited**

**U.S. PATENT DOCUMENTS**

D. 326,102	*	5/1992	Mizoguchi	.....	D15/140
D. 437,865	*	2/2001	Kladich	.....	D15/140
3,669,462	*	6/1972	Parsons	.....	279/57
4,249,748	*	2/1981	Andrew	.....	279/57
4,858,938	*	8/1989	Terwilliger et al.	.....	279/57
5,398,947	*	3/1995	Cook	.....	279/46.3

\* cited by examiner

*Primary Examiner*—Antoine Duval Davis

(74) *Attorney, Agent, or Firm*—Leydig, Voit & Mayer, Ltd.

(57) **CLAIM**

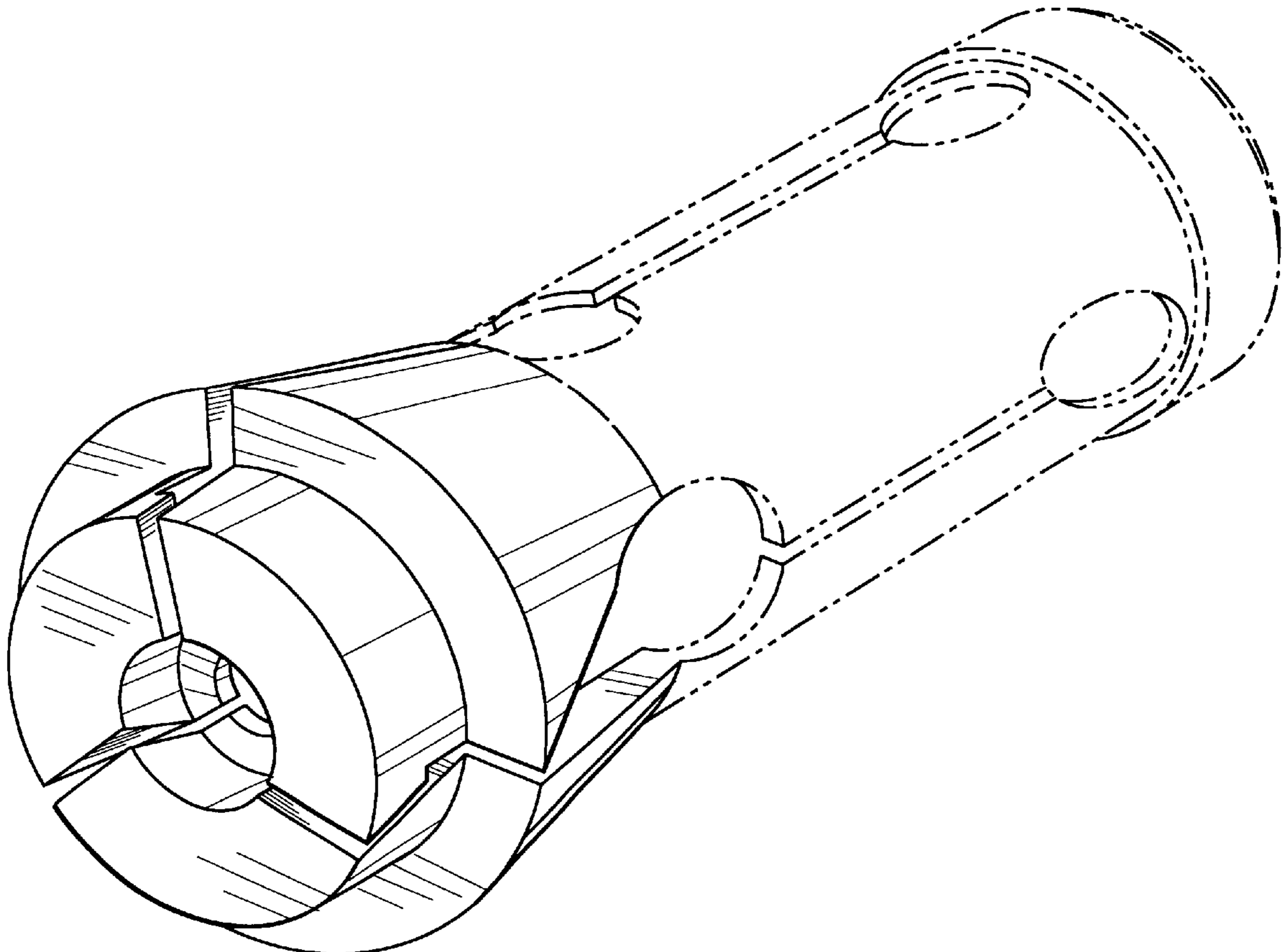
The ornamental design for a collet head, as shown and described.

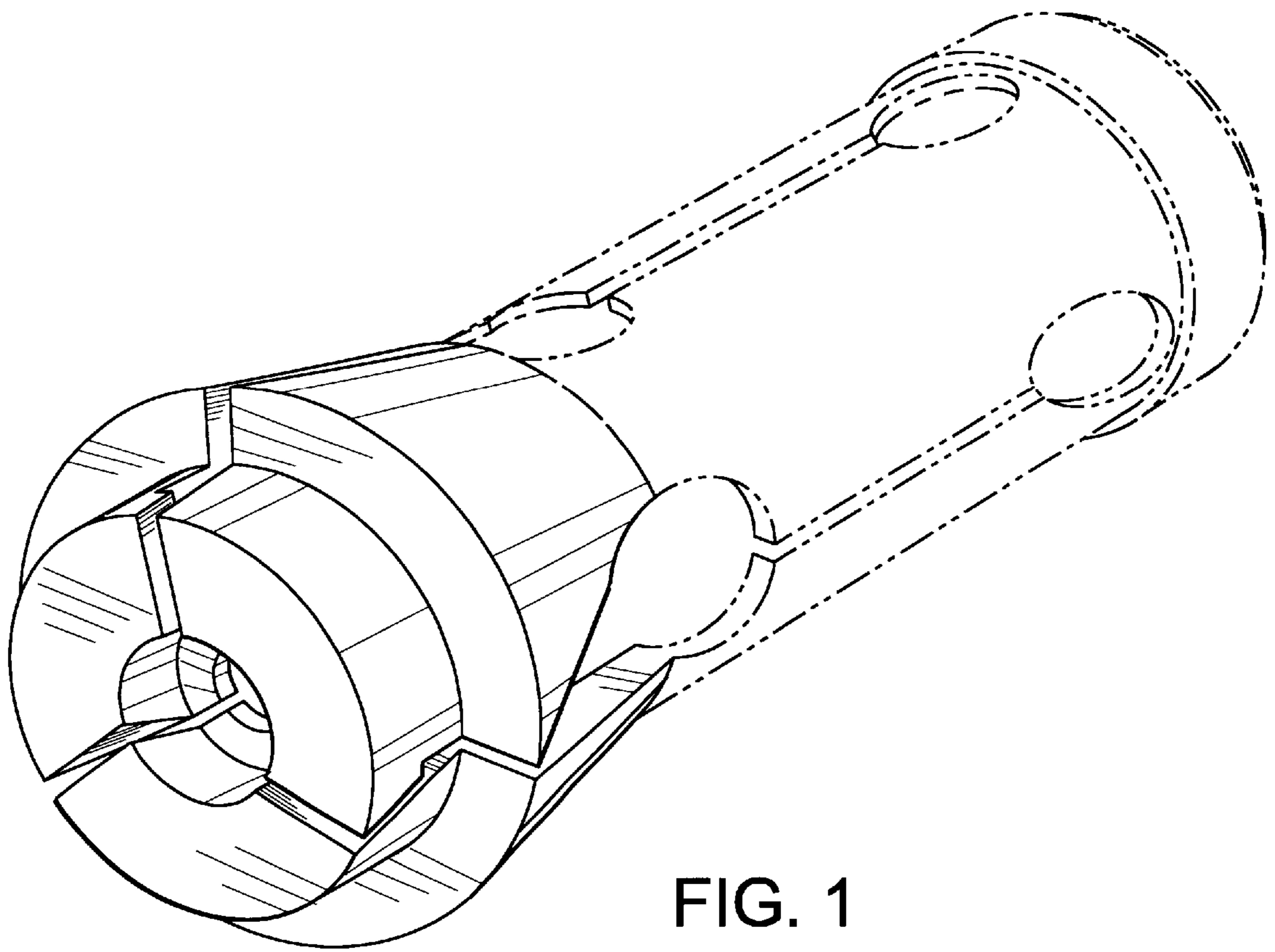
**DESCRIPTION**

FIG. 1 is a left perspective view of a collet head showing my new design;  
 FIG. 2 is a front end view thereof;  
 FIG. 3 is a left side plan view thereof;  
 FIG. 4 is a right plan view thereof;  
 FIG. 5 is a top plan view thereof;  
 FIG. 6 is a bottom plan view thereof;  
 FIG. 7 is a rear end view thereof;  
 FIG. 8 is a left perspective of an alternative form of the collet head here having four segments;  
 FIG. 9 is a front end view thereof;  
 FIG. 10 is a left side plan view thereof;  
 FIG. 11 is a right plan view thereof;  
 FIG. 12 is a top plan view thereof;  
 FIG. 13 is a bottom plan view thereof; and,  
 FIG. 14 is a rear end view thereof.

The portions shown in dotted lines in FIGS. 1, 3–8 and 10–14 are for reference purposes only and do not form a part of my design.

**1 Claim, 4 Drawing Sheets**





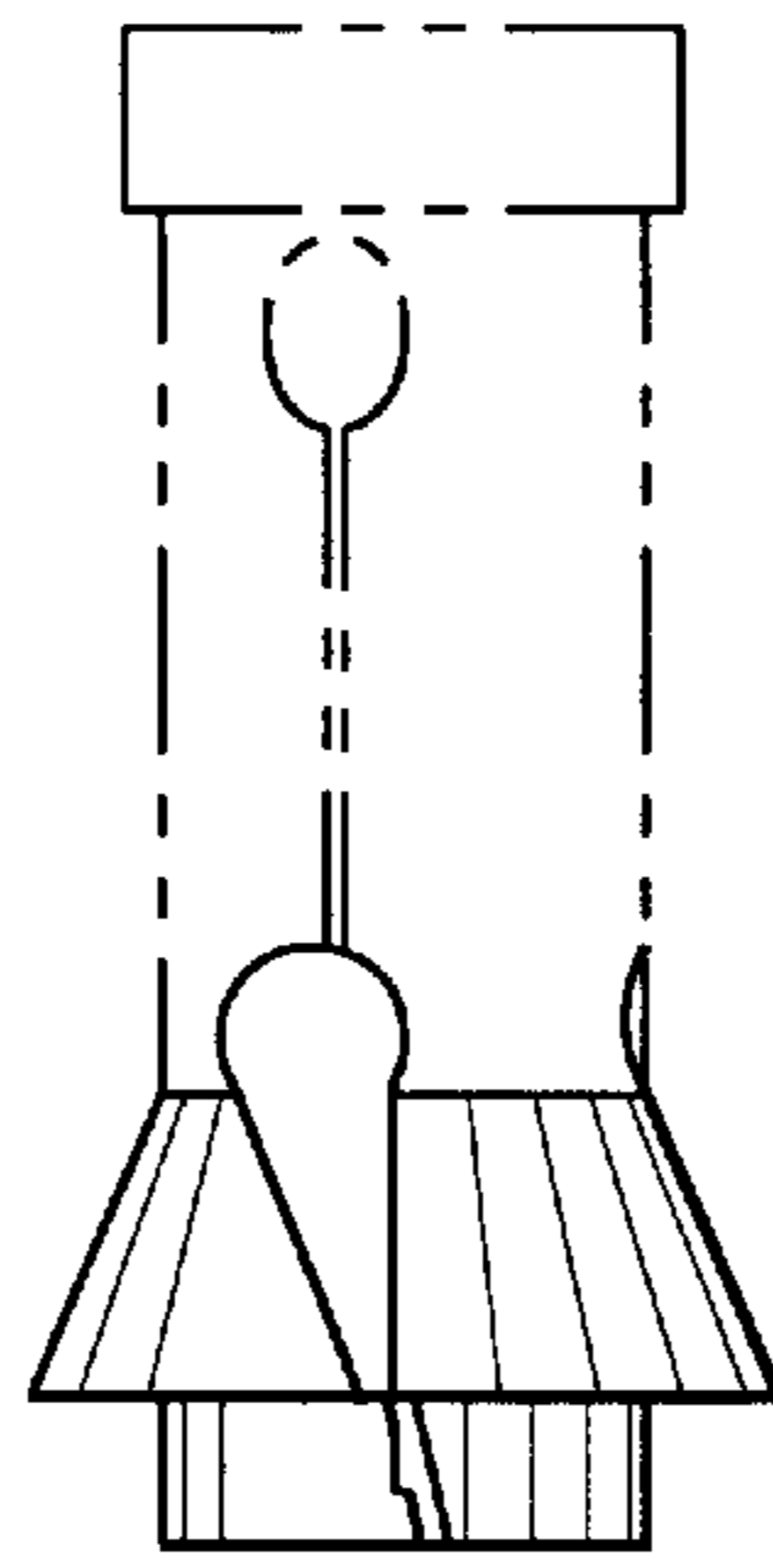


FIG. 5

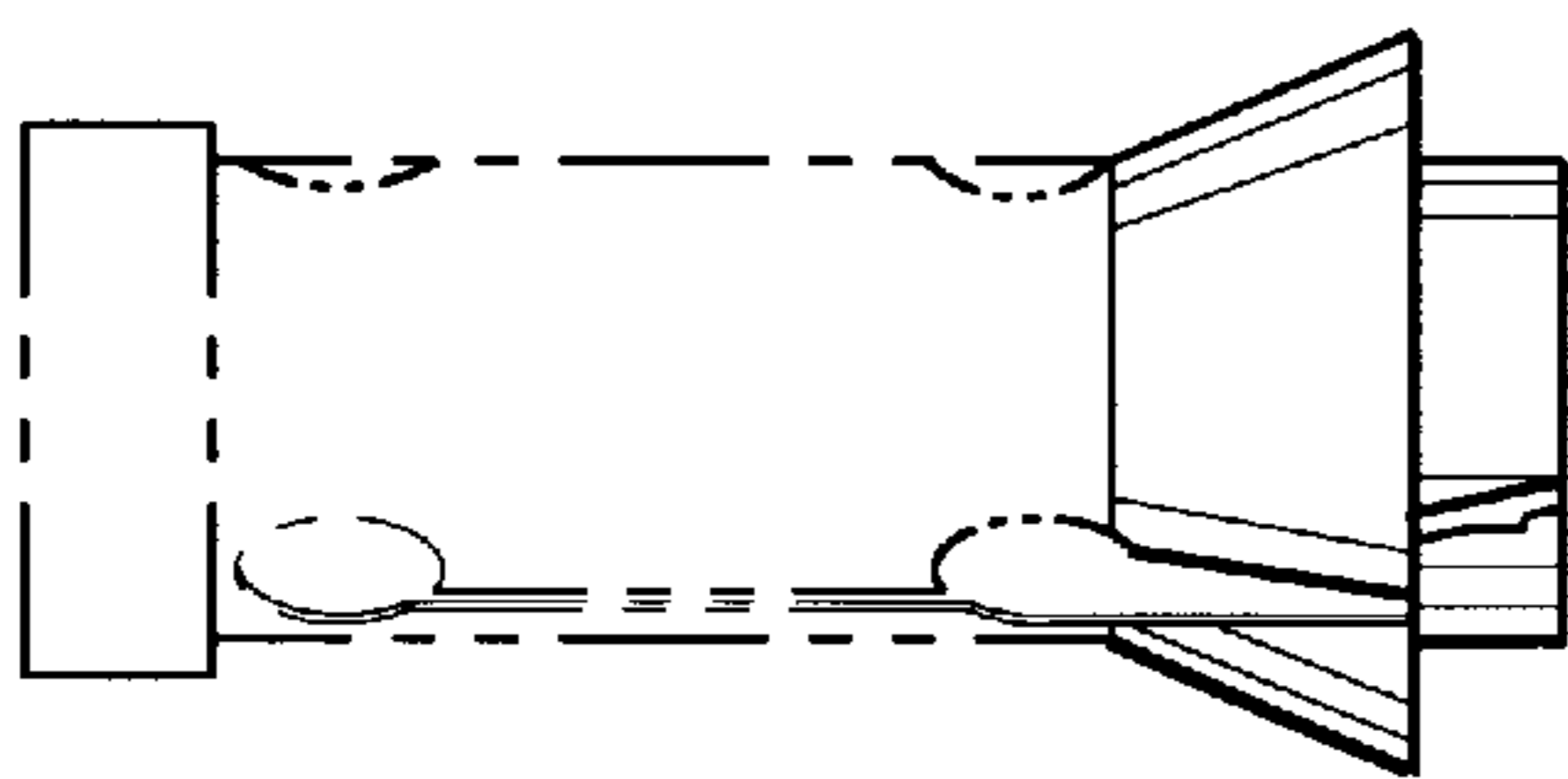


FIG. 3

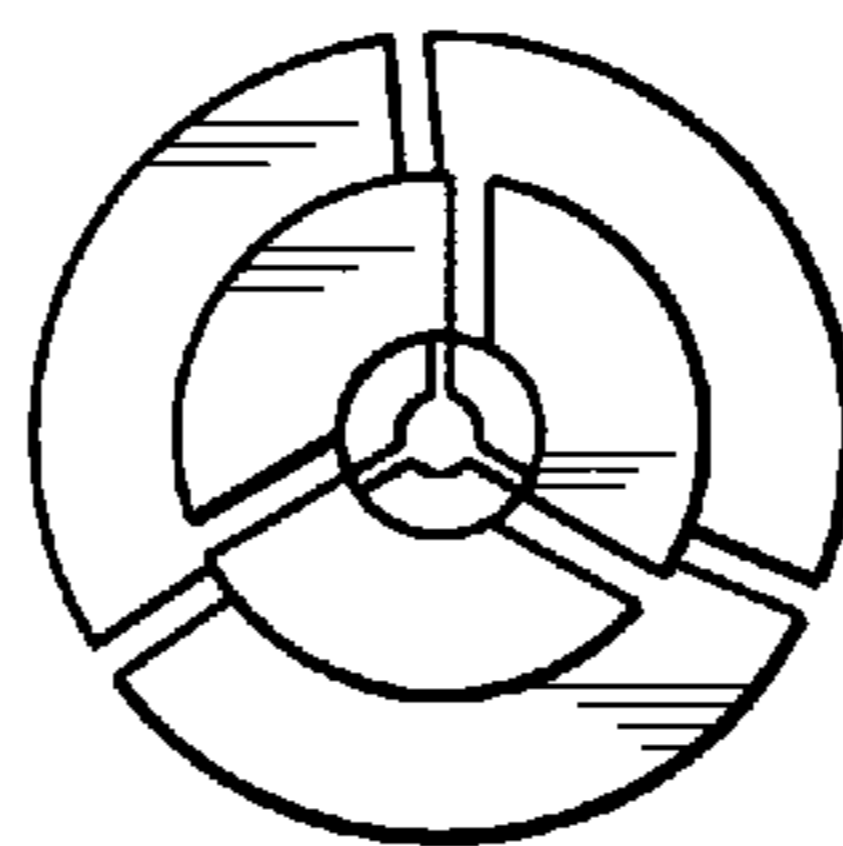


FIG. 2

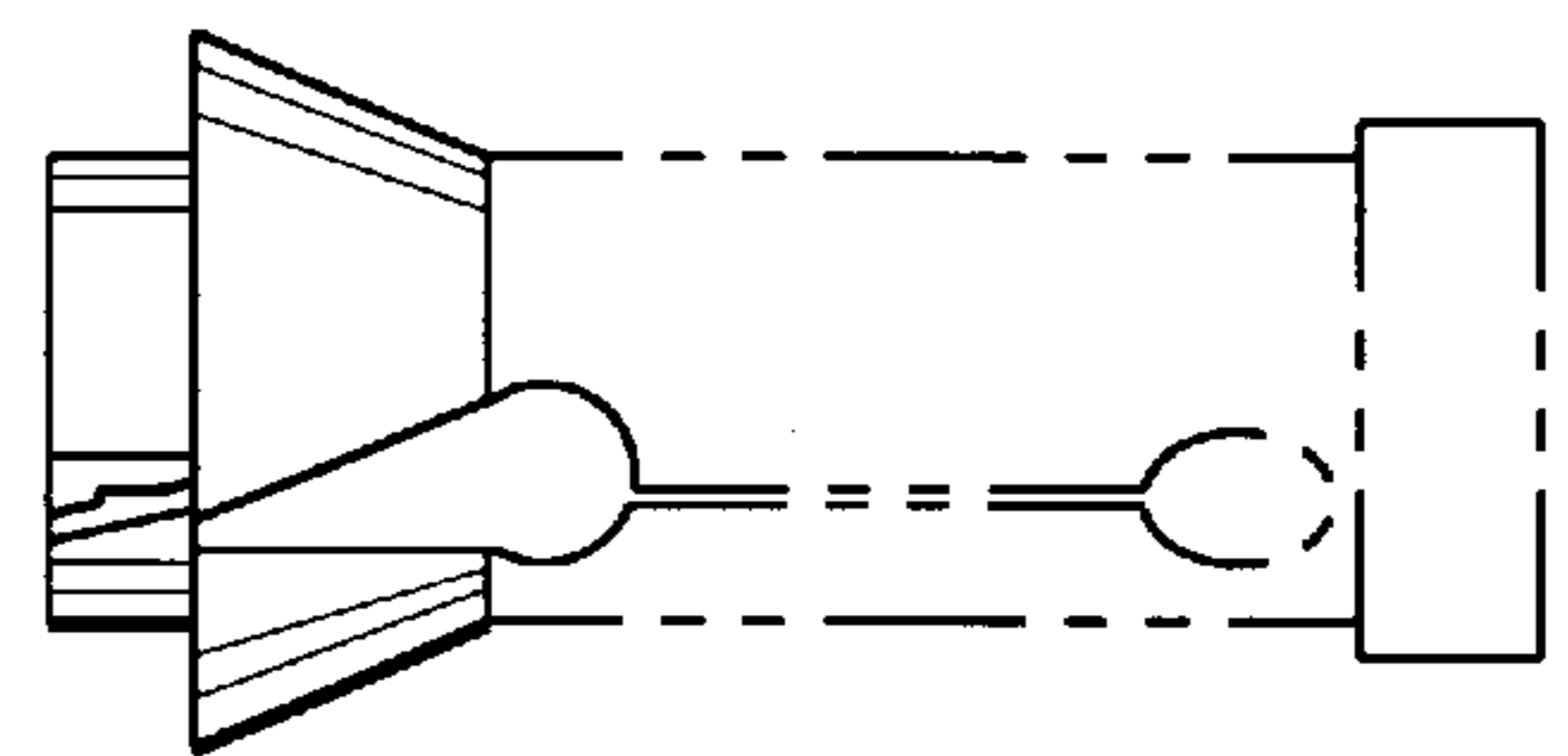


FIG. 4

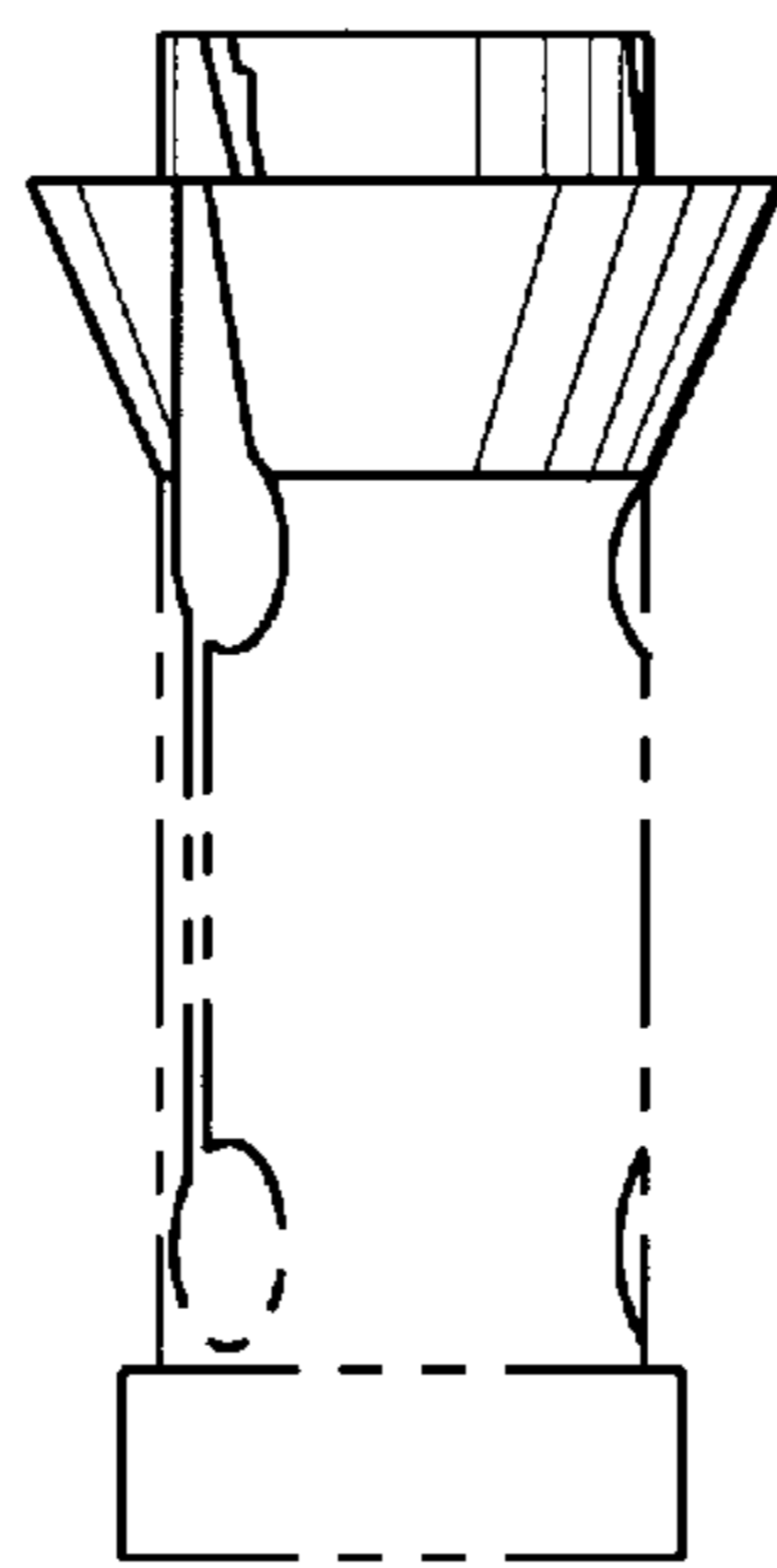


FIG. 6

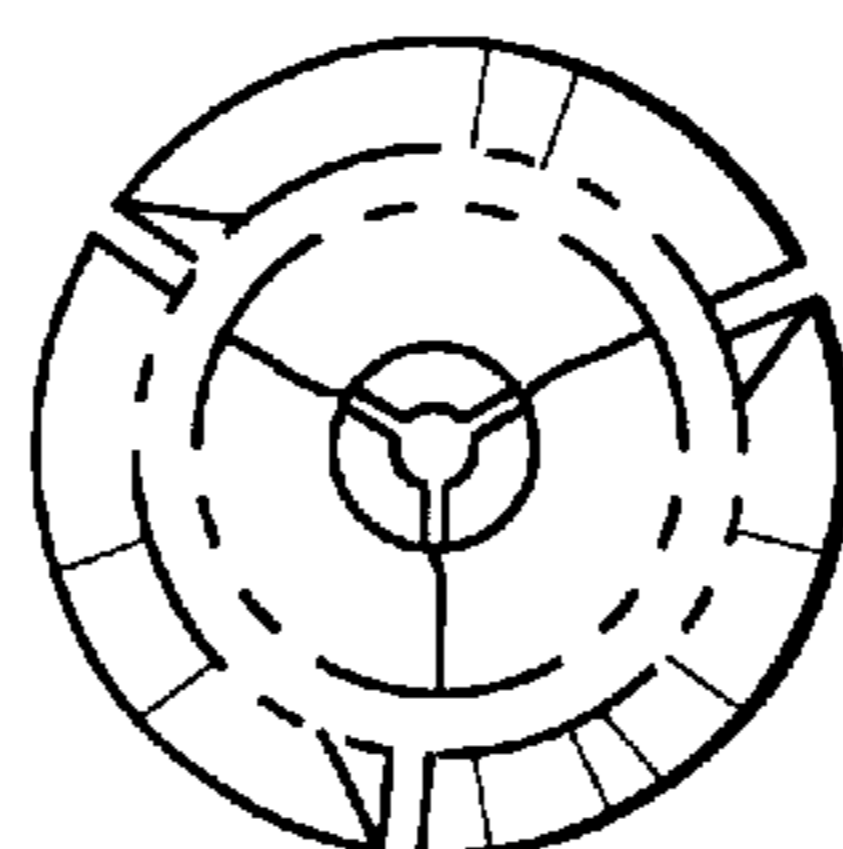


FIG. 7

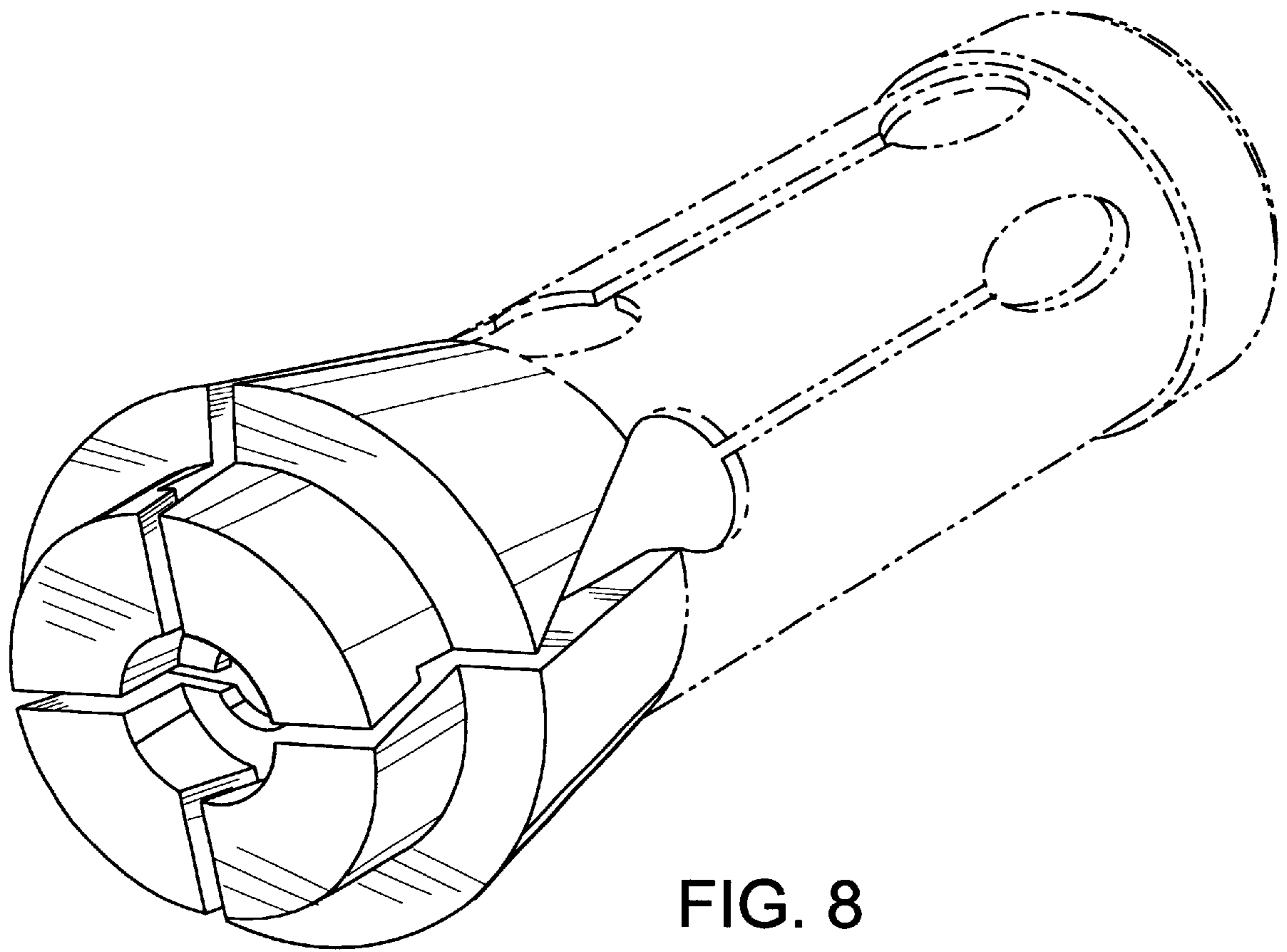


FIG. 8

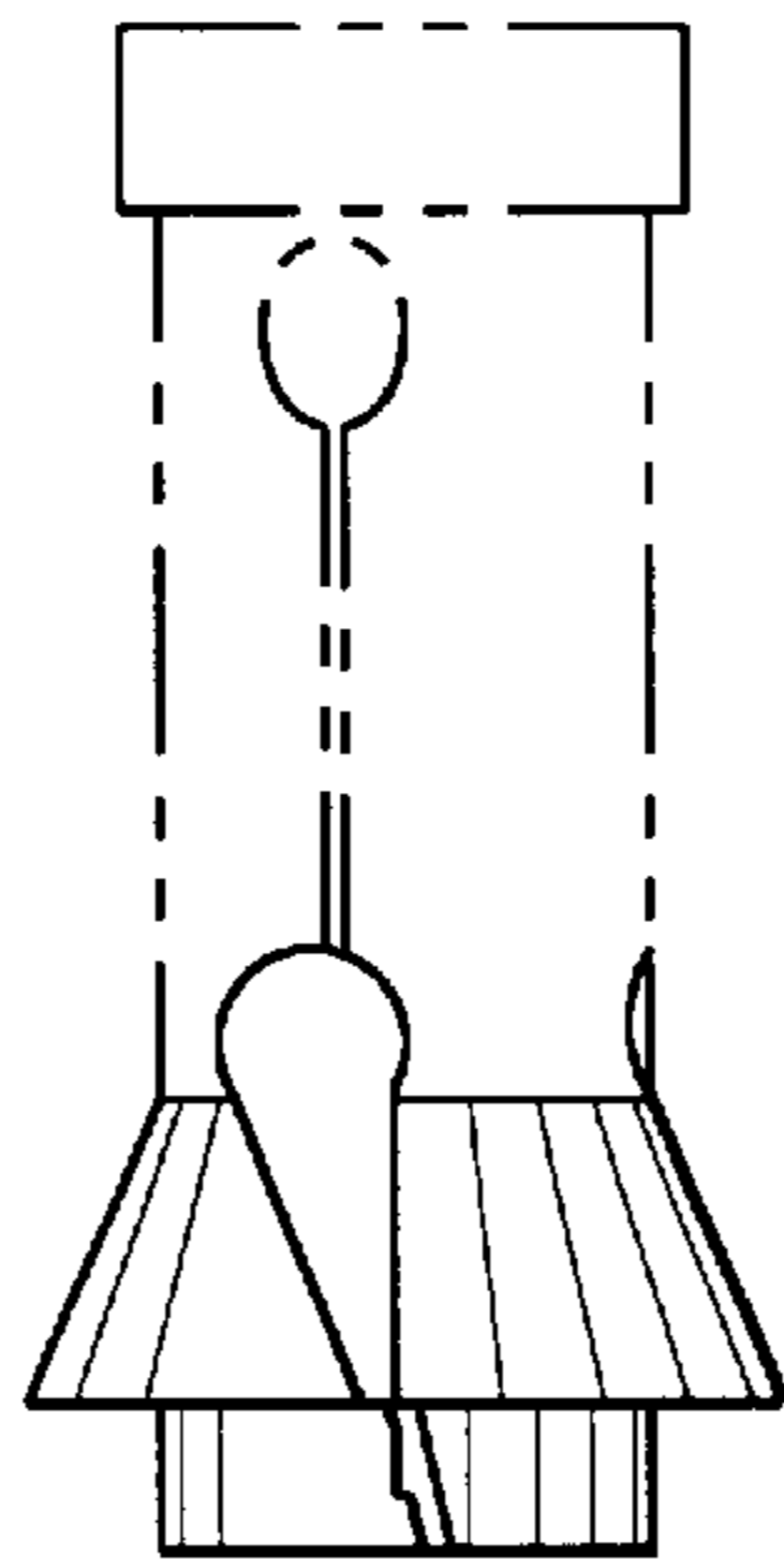


FIG. 12

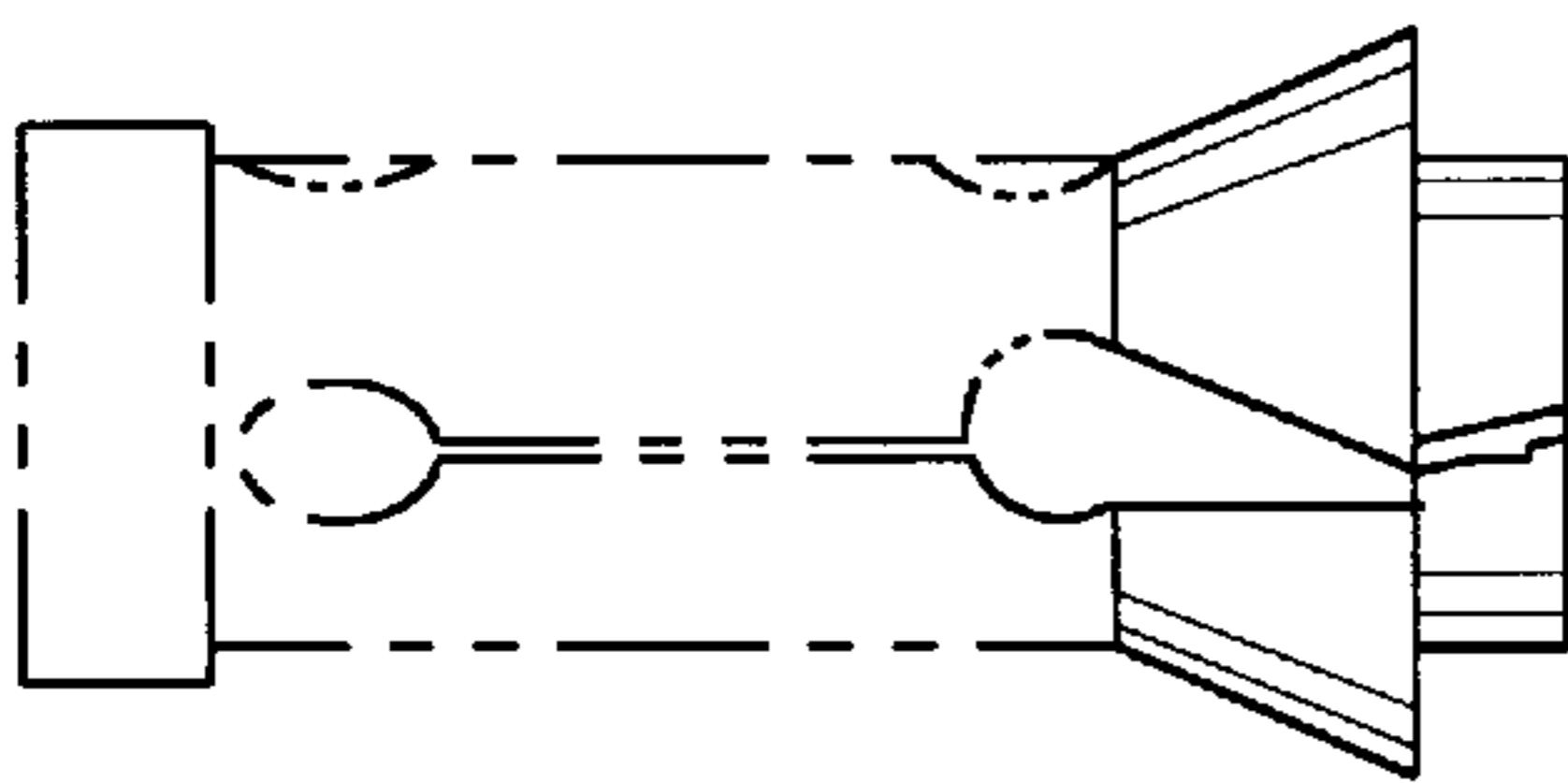


FIG. 10

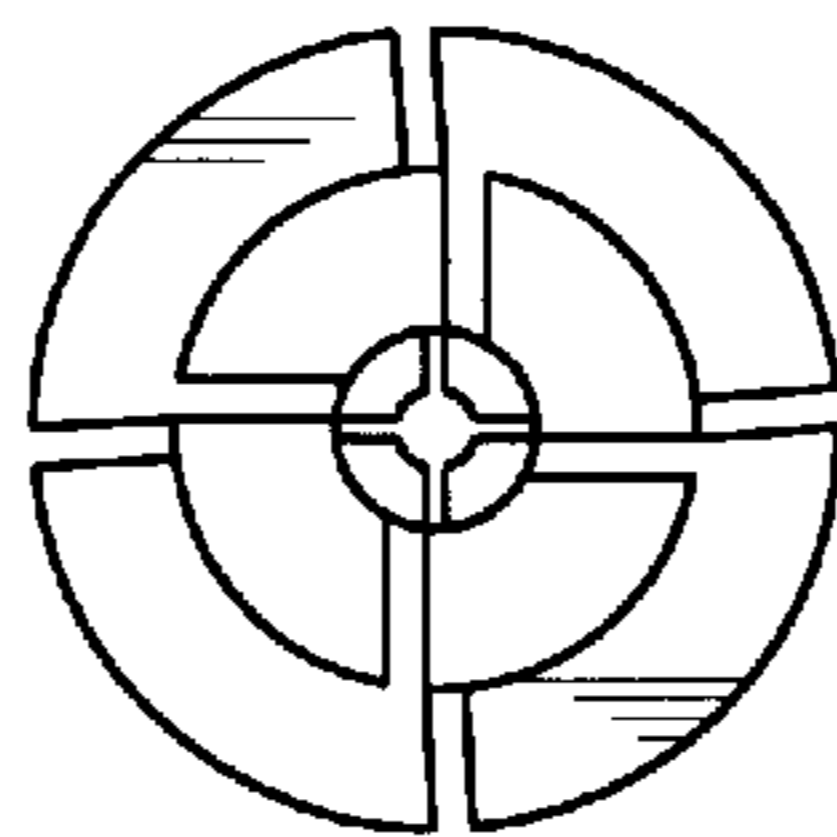


FIG. 9

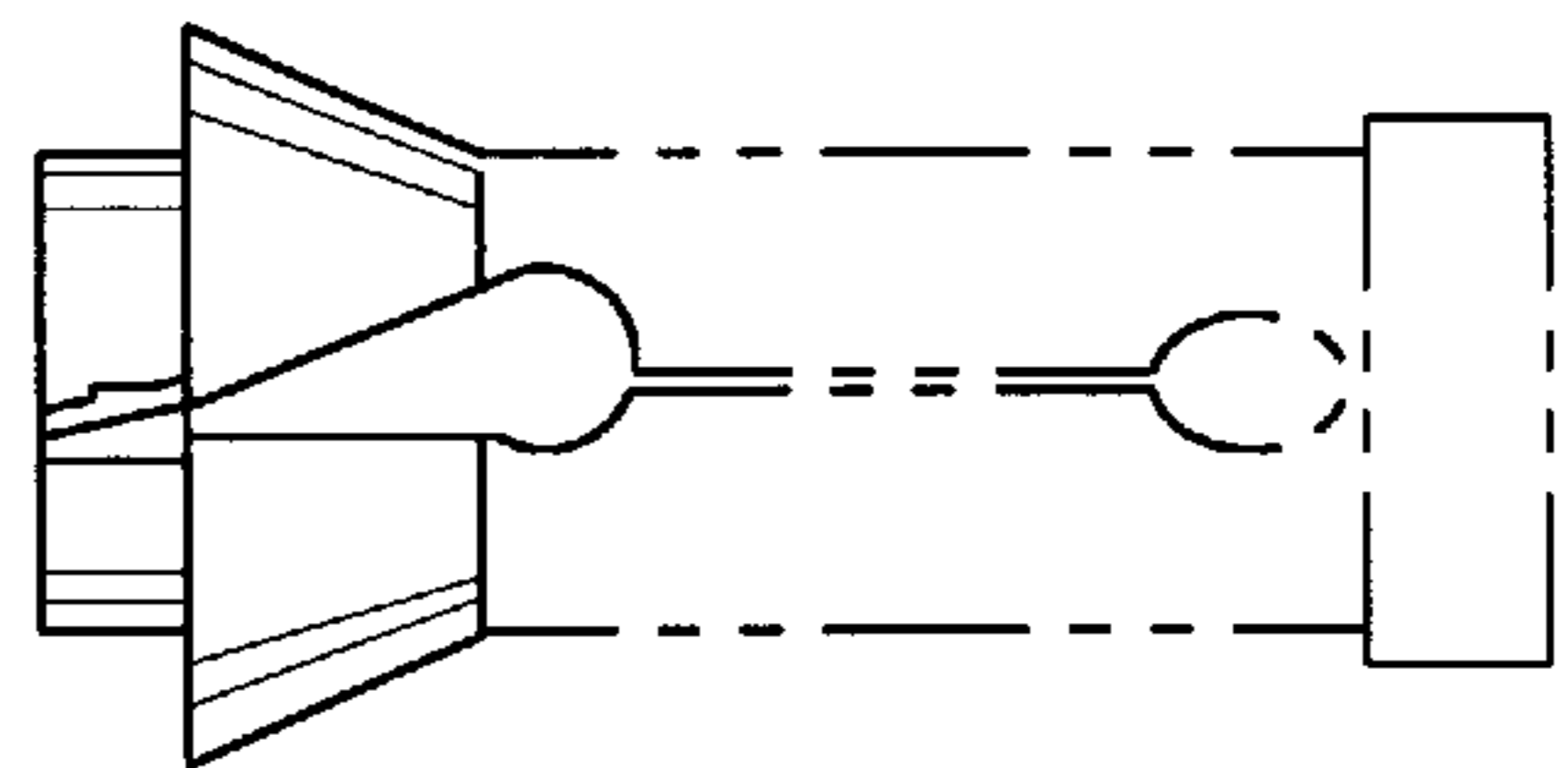


FIG. 11

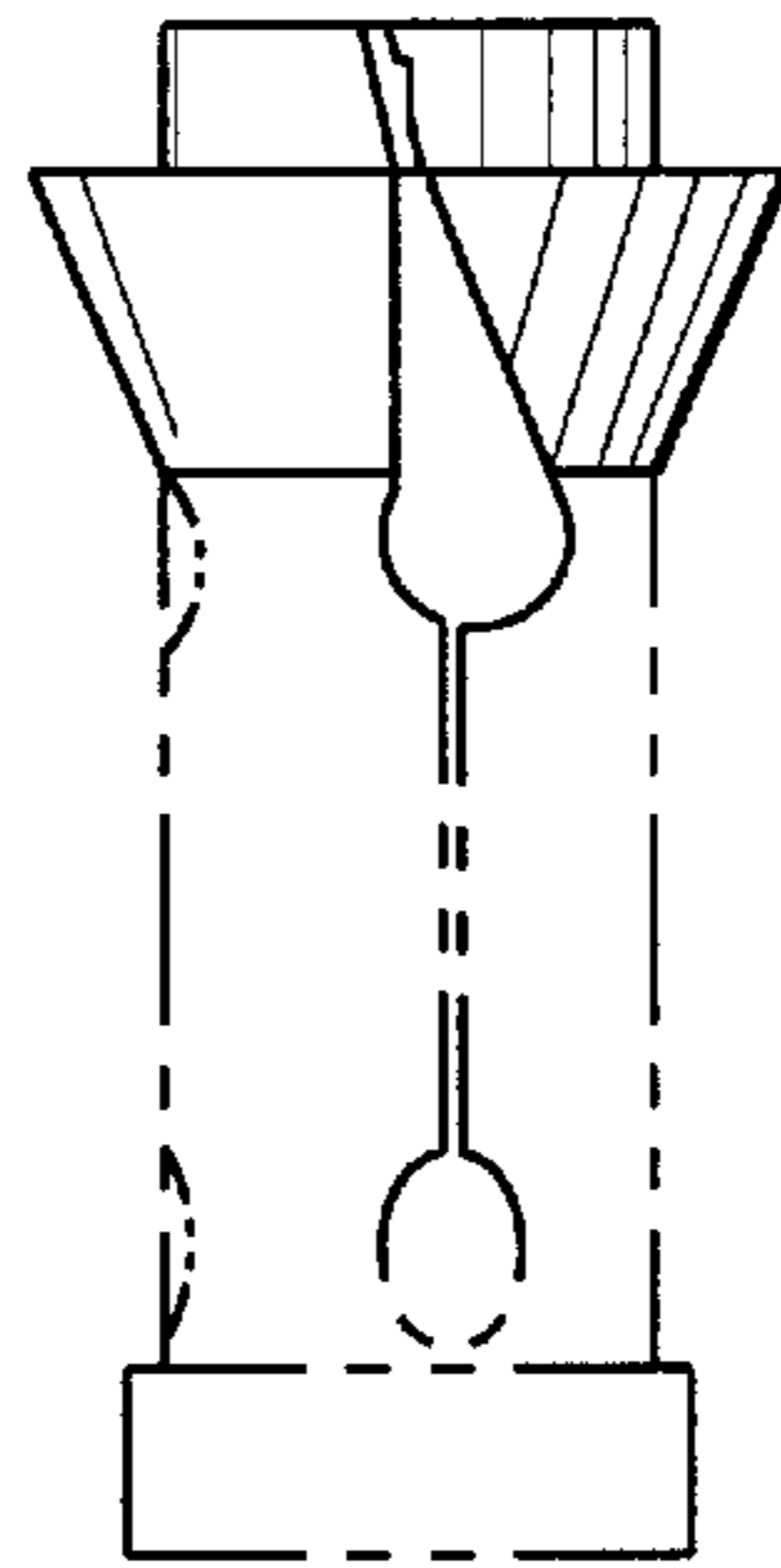


FIG. 13

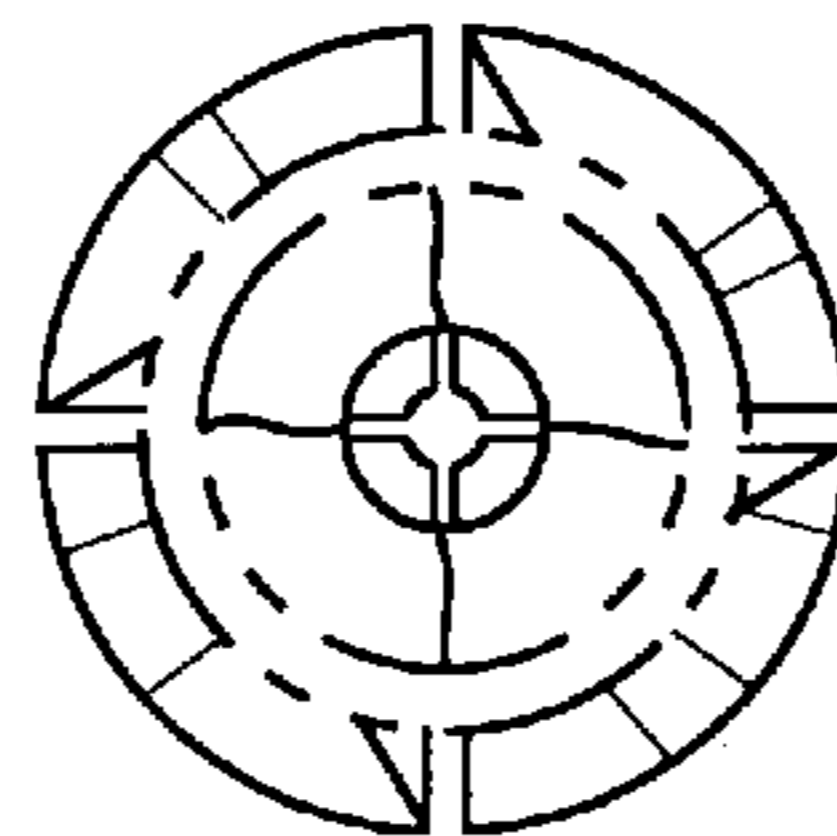


FIG. 14