



US00D451108B1

(12) **United States Design Patent**
Hinch

(10) **Patent No.:** **US D451,108 S**

(45) **Date of Patent:** **** Nov. 27, 2001**

(54) **MORTISER WITH DUAL RAM FENCE**

(75) Inventor: **Anthony G. Hinch**, West Alexander,
PA (US)

(73) Assignee: **Fisch Precision Tools, Inc.**, Claysville,
PA (US)

(**) Term: **14 Years**

(21) Appl. No.: **29/142,227**

(22) Filed: **May 22, 2001**

(51) **LOC (7) Cl.** **15-09**

(52) **U.S. Cl.** **D15/132**

(58) **Field of Search** D15/132; 33/628,
33/636, 639, 641, 645; 144/74, 78, 79;
408/22, 24, 30, 75, 135, 56

(56) **References Cited**

U.S. PATENT DOCUMENTS

| | | | |
|-------------|---------|-----------------------|----------|
| D. 257,679 | 12/1980 | Cleary et al. | D15/132 |
| D. 332,038 | 12/1992 | Meldrum | D8/61 |
| D. 423,523 | 4/2001 | Hollinger et al. | D15/132 |
| 4,468,159 | 8/1984 | Oster | 408/56 |
| 4,865,493 | 9/1989 | Miller | 408/1 R |
| 5,061,124 | 10/1991 | Chen | 408/135 |
| 6,238,149 * | 5/2001 | Hollinger et al. | 408/75 X |

OTHER PUBLICATIONS

Tradesman catalog; Mortising machine #8120; p. 5, 1995.
Tool Specialists Online; www.toolies.com.au/ToolShop/
catalogue/woodwork/0000K16.htm?E+toolstore; Workcraft
Mortising Machine; page printed Jun. 19, 2000.

www.coastaltool.com/delt/del14650.htm; Delta 14-650
Hollow Chisel Mortiser; page printed Jun. 19, 2000.

* cited by examiner

Primary Examiner—Antoine Duval Davis
(74) *Attorney, Agent, or Firm*—Webb Ziesenheim Logsdon
Orkin & Hanson, P.C.

(57) **CLAIM**

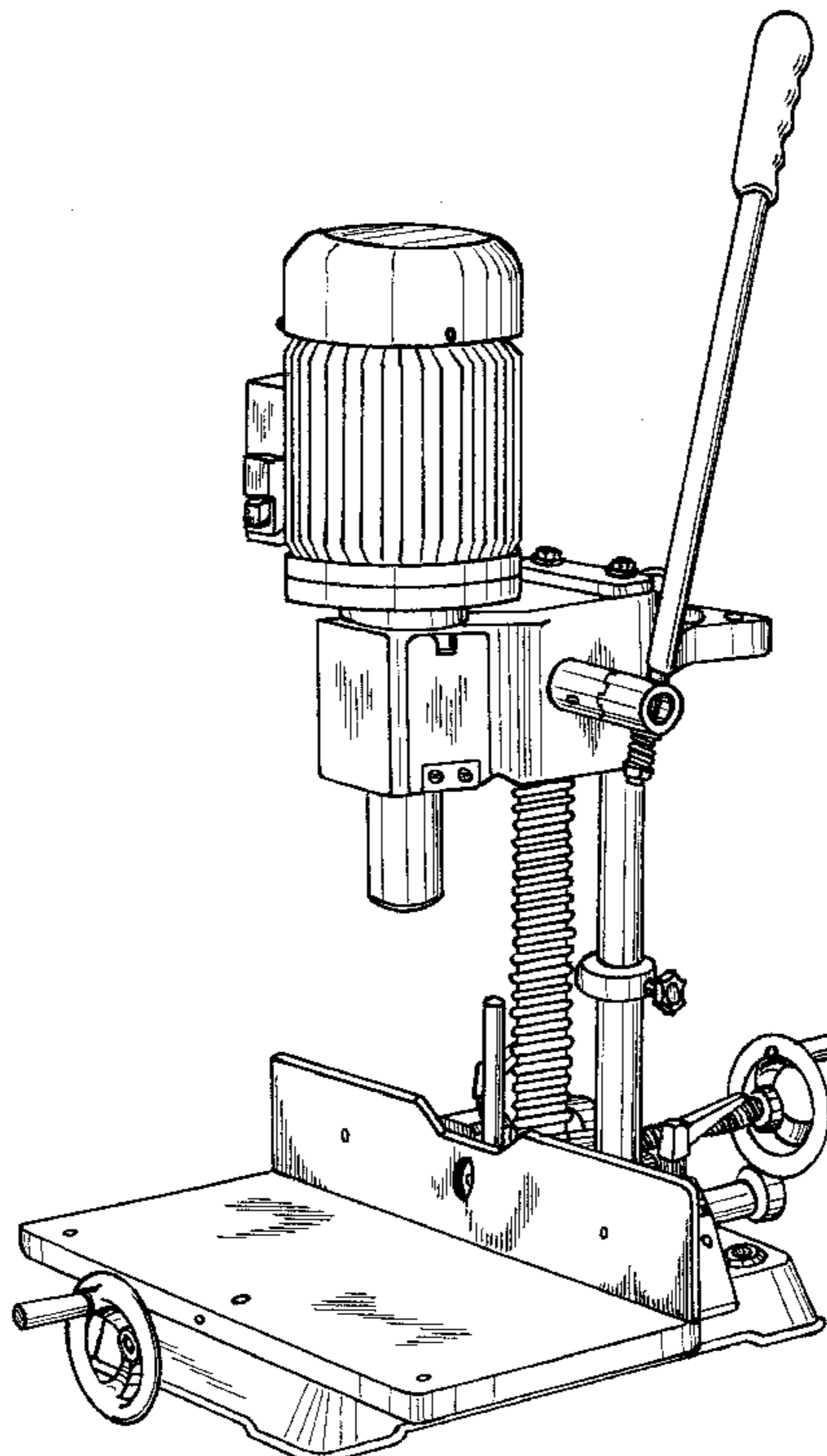
The ornamental design for a mortiser with dual ram fence,
as shown and described.

DESCRIPTION

FIG. 1 is a front perspective view of the mortiser with dual
ram fence of the present invention;
FIG. 2 is a rear perspective view;
FIG. 3 is a front elevation view;
FIG. 4 is a right side elevation view;
FIG. 5 is a left side elevation view;
FIG. 6 is a rear elevation view;
FIG. 7 is a top plan view;
FIG. 8 is a bottom plan view; and,
FIG. 9 is a front perspective view.

The broken line showing of a mortising bit, clamps, and
tools in FIG. 9 is for illustrative purposes only and forms no
part of the claimed design.

1 Claim, 9 Drawing Sheets



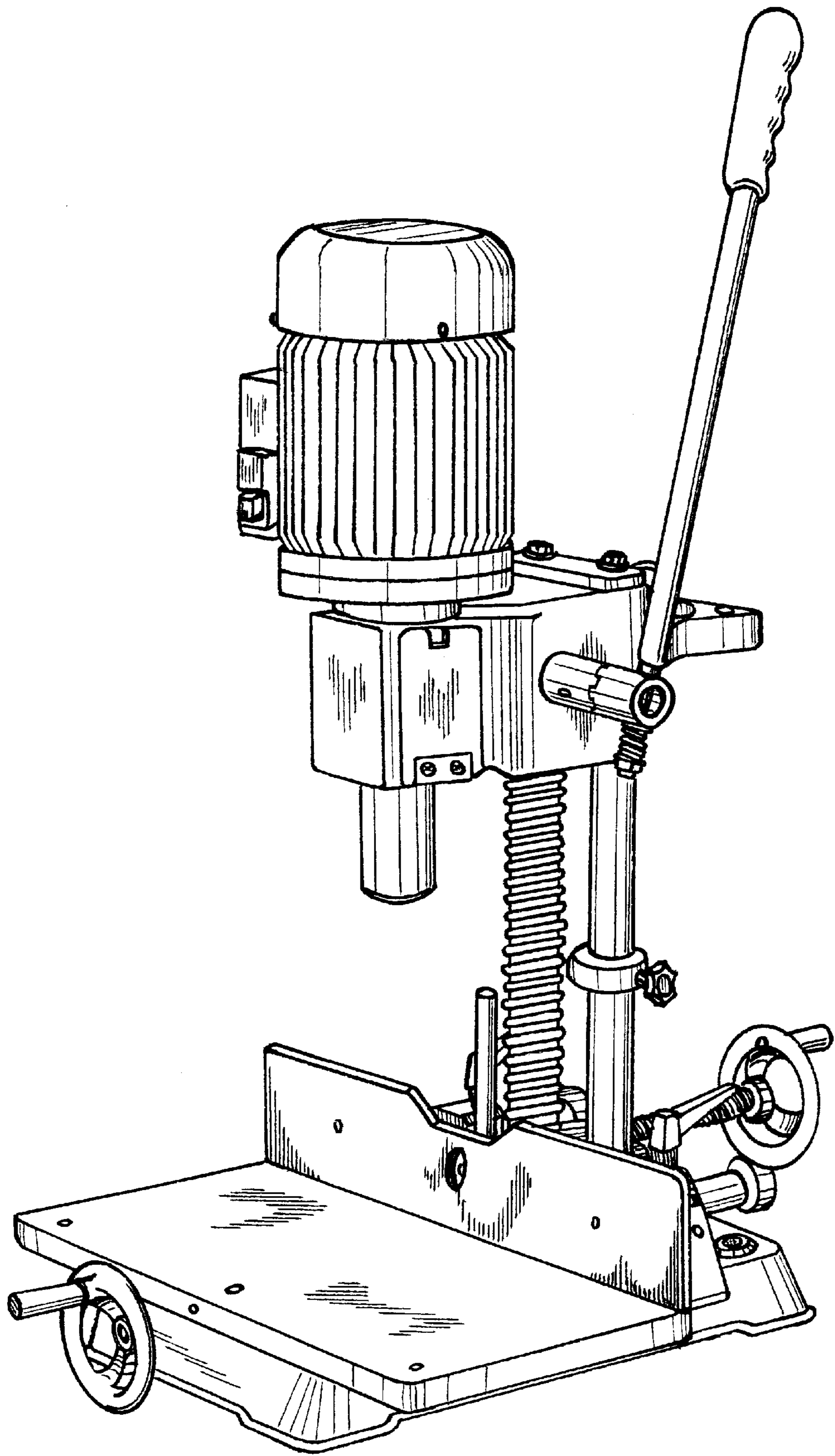


Fig. 1

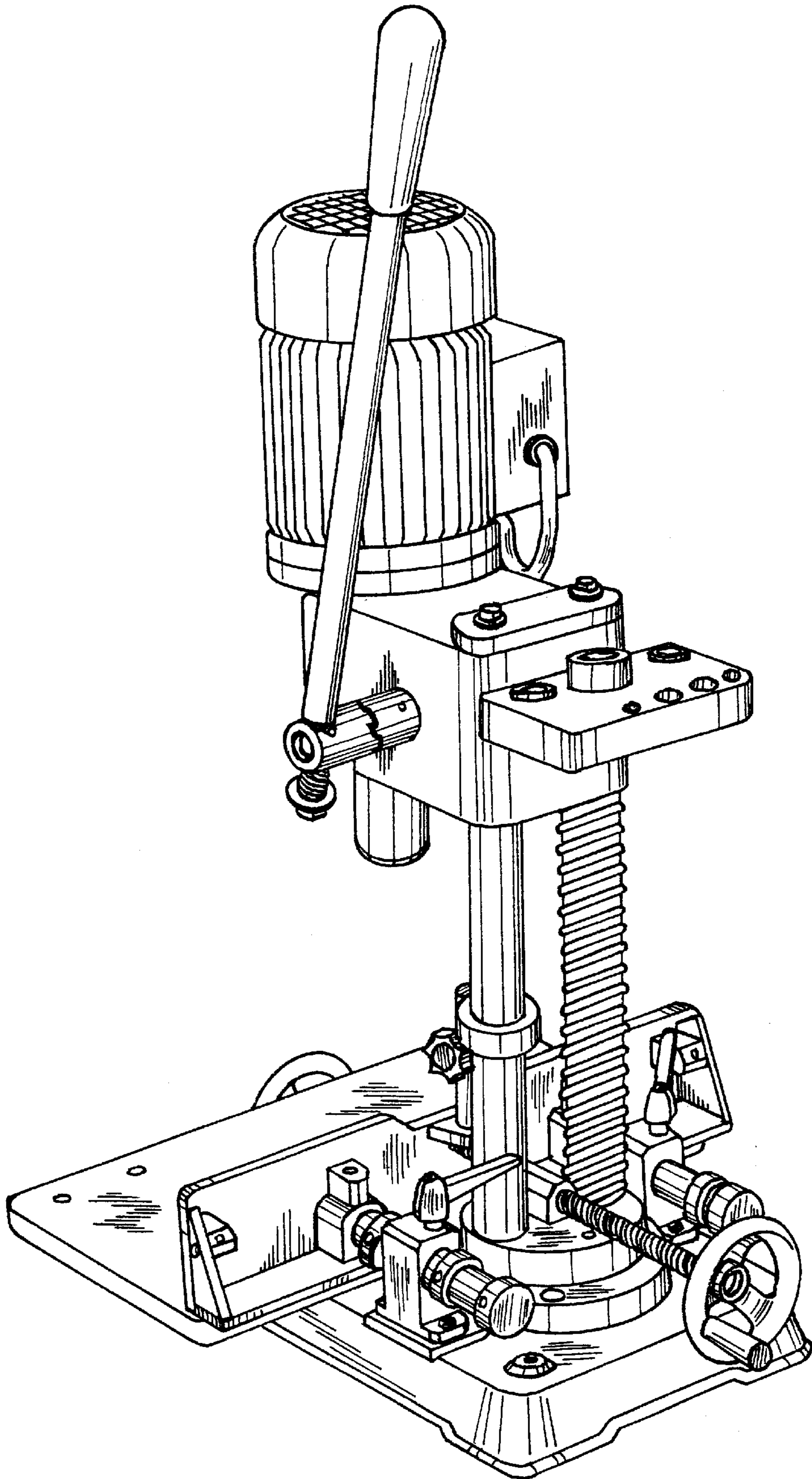


Fig. 2

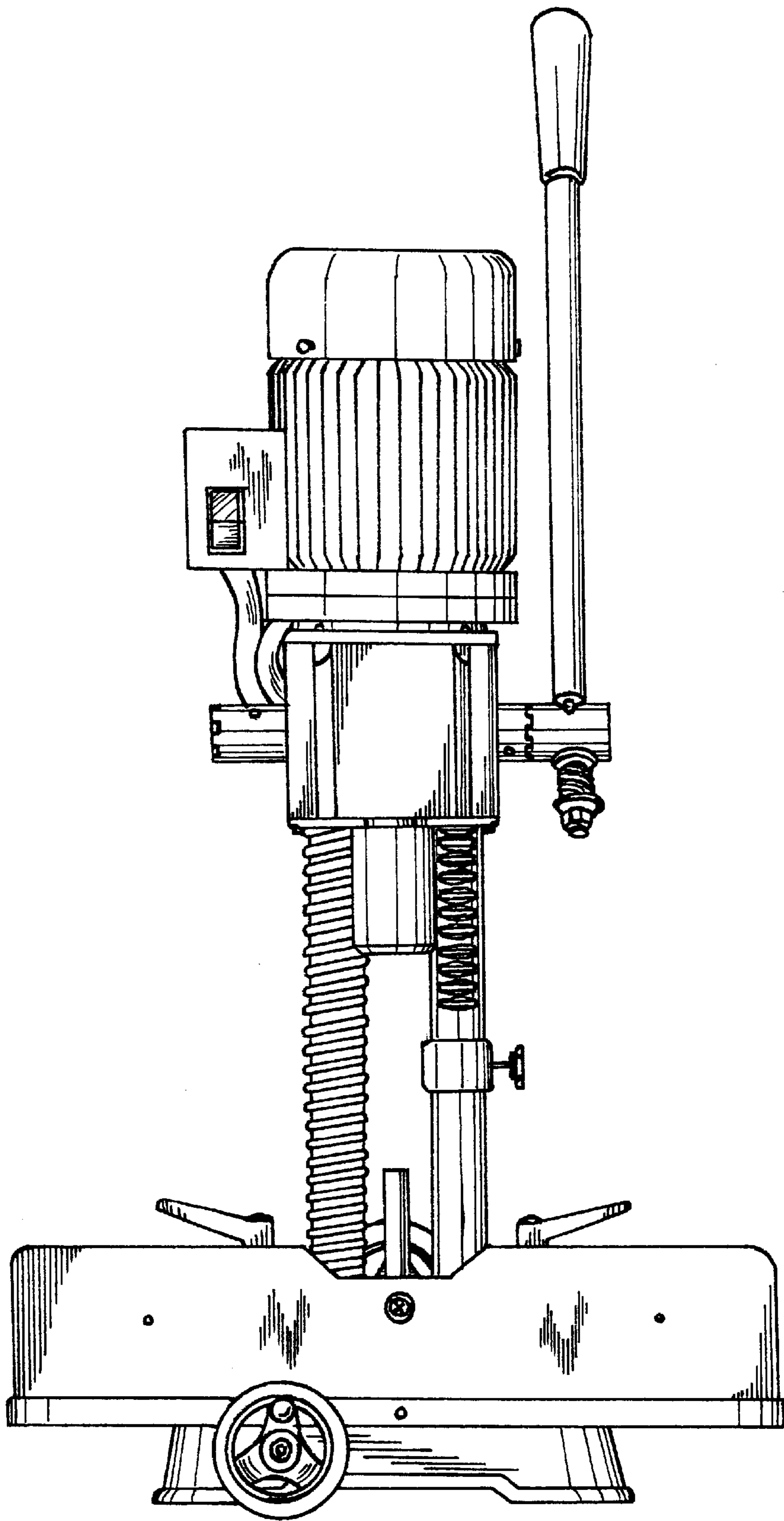


Fig. 3

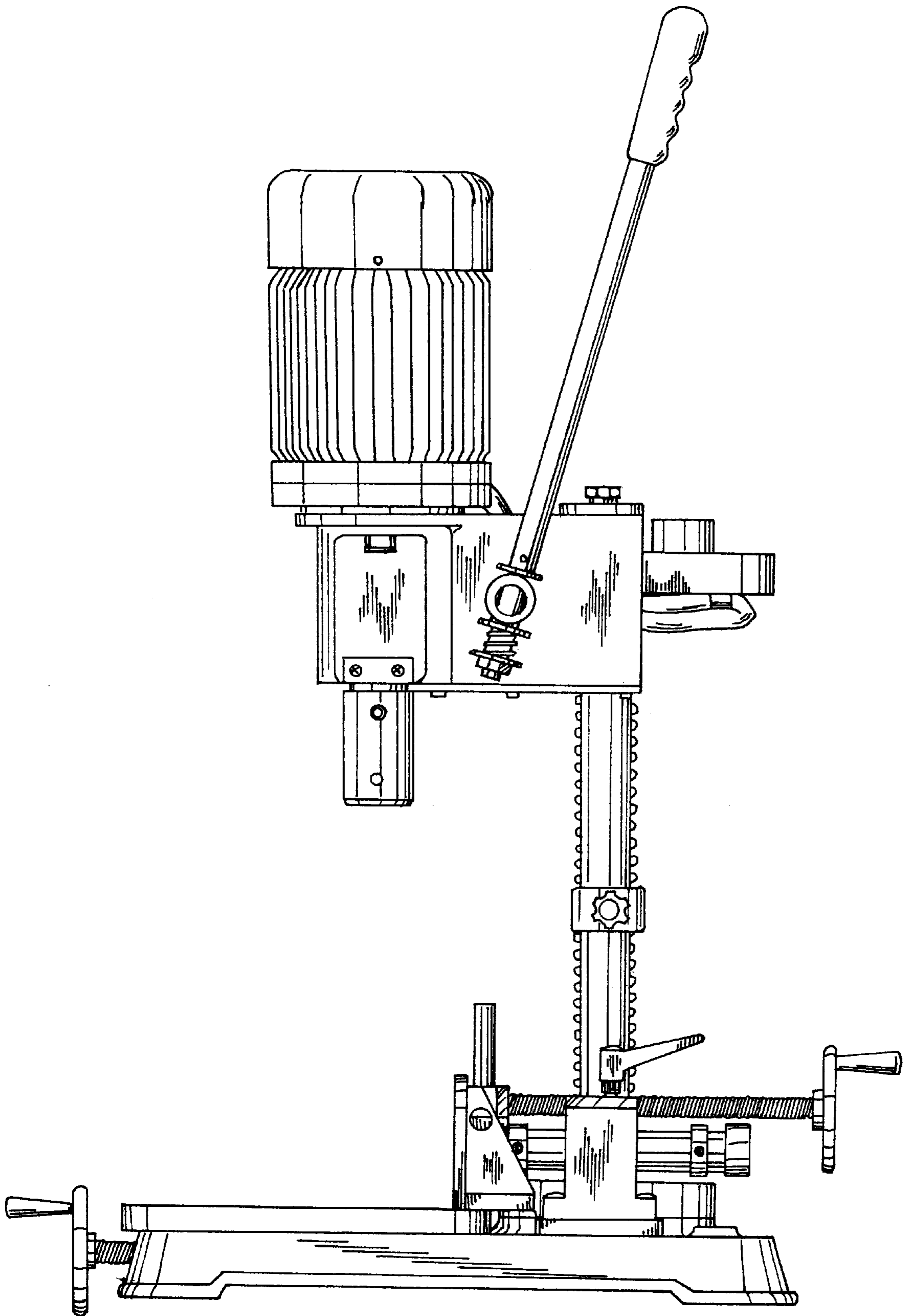


Fig. 4

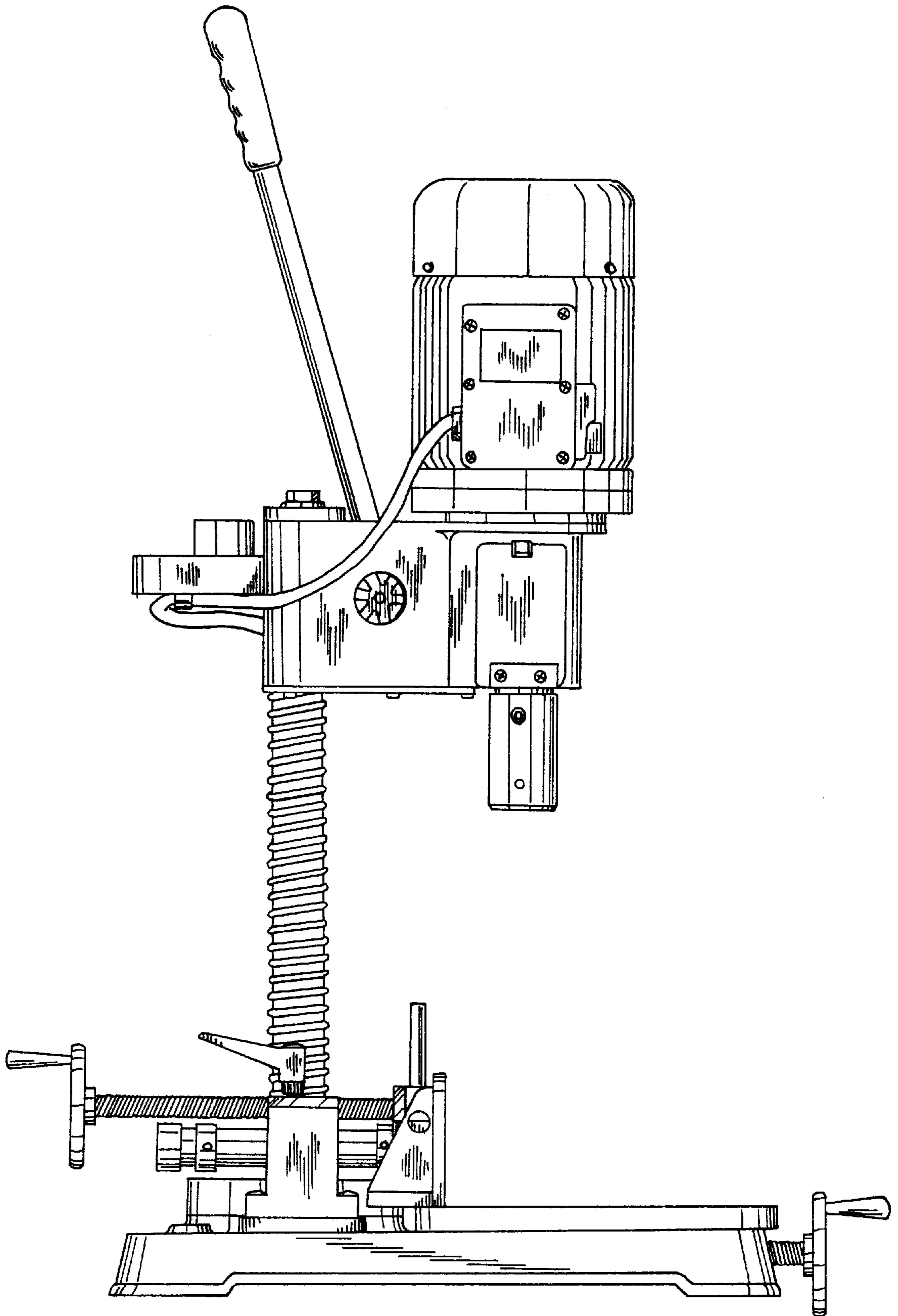


Fig. 5

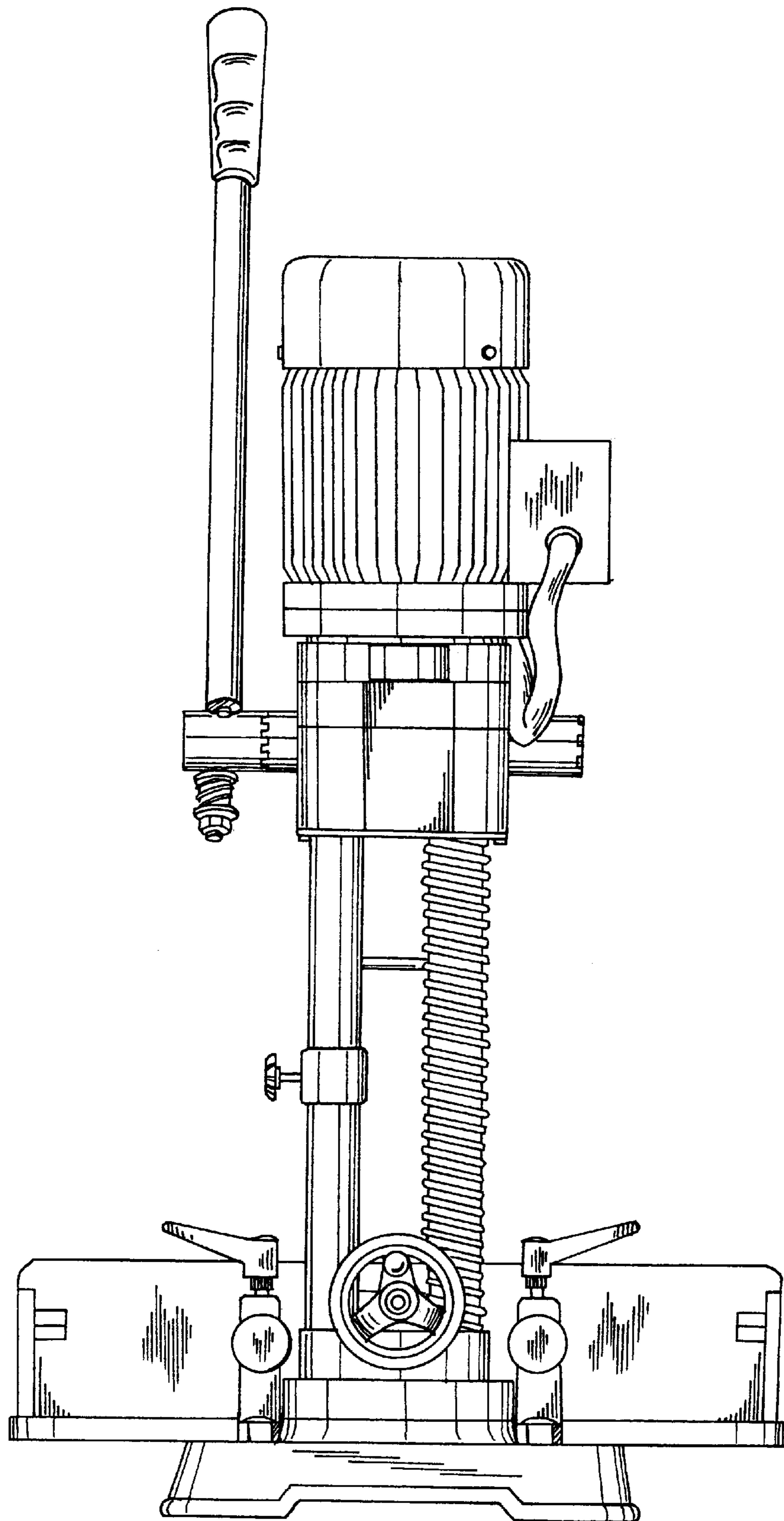


Fig. 6

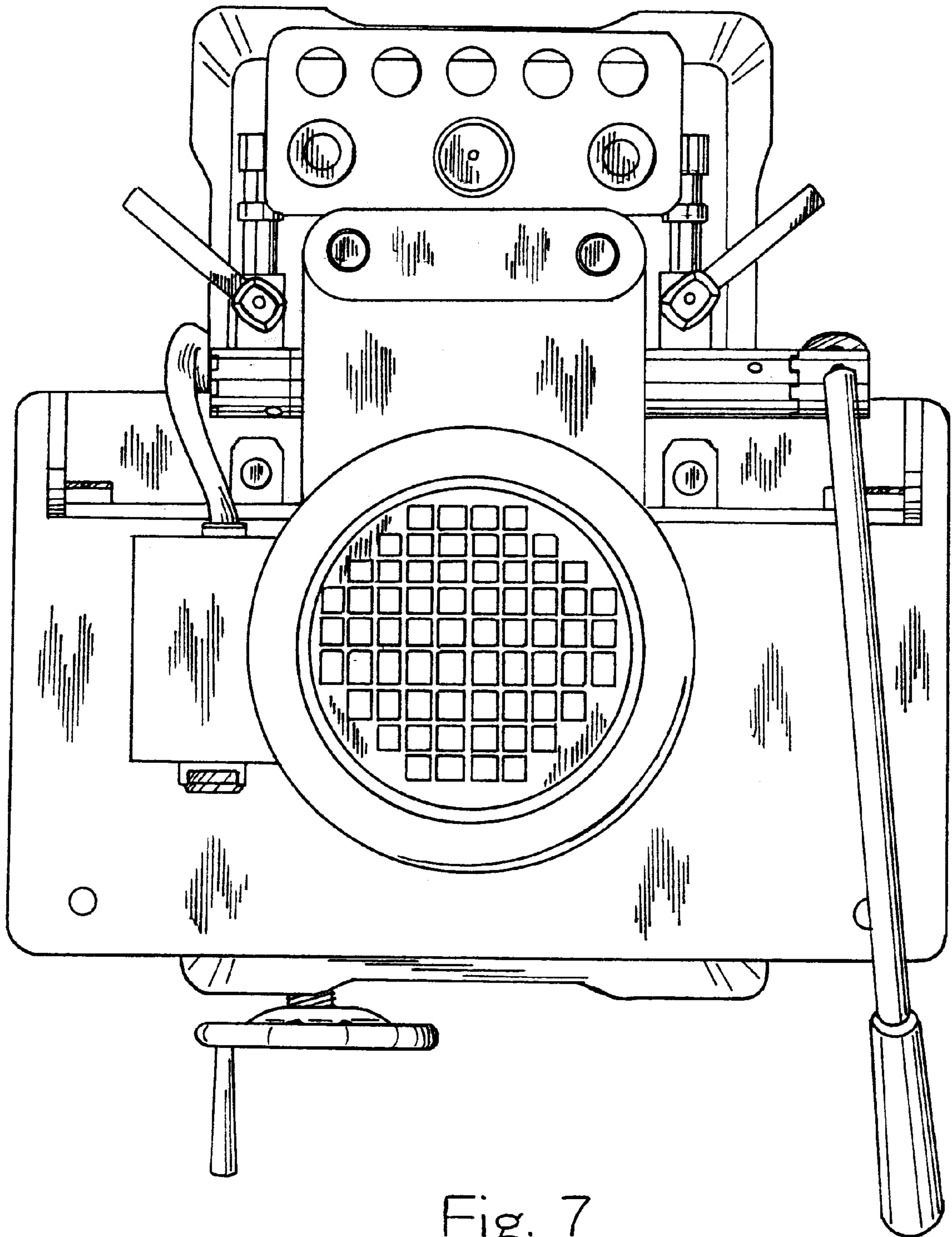


Fig. 7

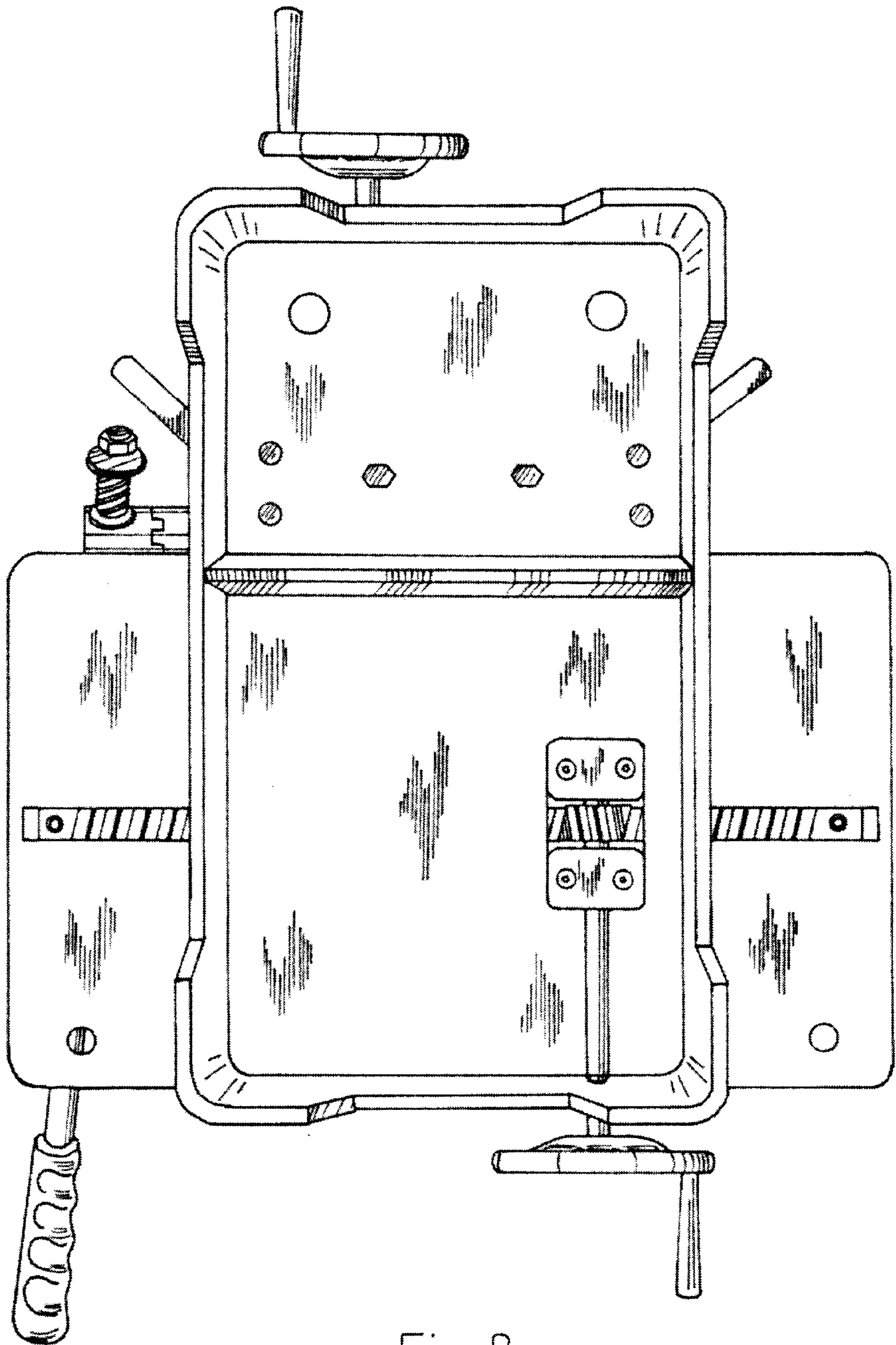


Fig. 8

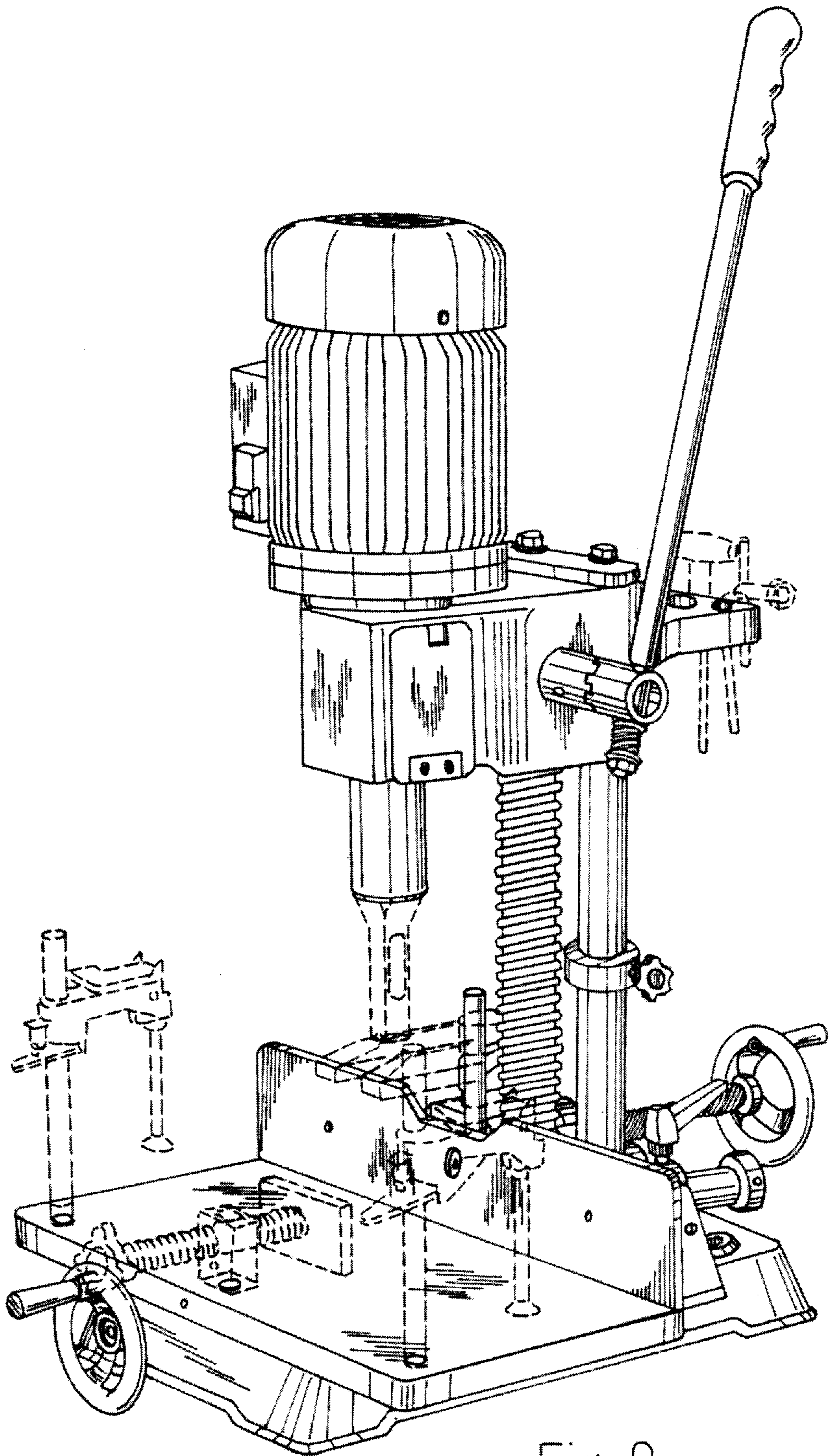


Fig. 9