



US00D451106B1

(12) **United States Design Patent**  
**Crookes et al.**

(10) **Patent No.:** **US D451,106 S**

(45) **Date of Patent:** **\*\* Nov. 27, 2001**

(54) **TRACTOR HOOD**

(75) Inventors: **William Edward Crookes**, Ann Arbor, MI (US); **Rodney Keith Rowland**, Waverly; **Eric Albert Keen**, Waterloo, both of IA (US)

(73) Assignee: **Deere & Company**, Moline, IL (US)

(\*\*) Term: **14 Years**

(21) Appl. No.: **29/129,462**

(22) Filed: **Sep. 14, 2000**

(51) **LOC (7) Cl.** ..... **15-03**

(52) **U.S. Cl.** ..... **D15/31**

(58) **Field of Search** ..... D15/31, 15, 23-25; 56/17.5, 249, 295, 320.1, 320.2; 180/89.1, 89.12, 900

(56) **References Cited**

**U.S. PATENT DOCUMENTS**

D. 329,242	9/1992	Holm et al. ....	D15/17
D. 339,357	9/1993	Teal et al. ....	D15/10
D. 381,241	7/1997	Goebert et al. ....	D15/31
D. 389,492 *	1/1998	Schmidt et al. ....	D15/31

D. 413,905 *	9/1999	Schmidt et al. ....	D15/31
D. 419,164 *	1/2000	Heiler et al. ....	D15/31
5,152,364	10/1992	Woods et al. ....	180/292

\* cited by examiner

*Primary Examiner*—Mitchell Siegel

(57) **CLAIM**

The ornamental design for a tractor hood, design as shown and described.

**DESCRIPTION**

FIG. 1 is a side view of a tractor hood showing our new design shown mounted on a tractor.

FIG. 2 is an elevated side perspective view of the tractor hood design of FIG. 1.

FIG. 3 is a top view of the tractor hood design of FIG. 1.

FIG. 4 is a left side view of the tractor hood design of FIG. 1

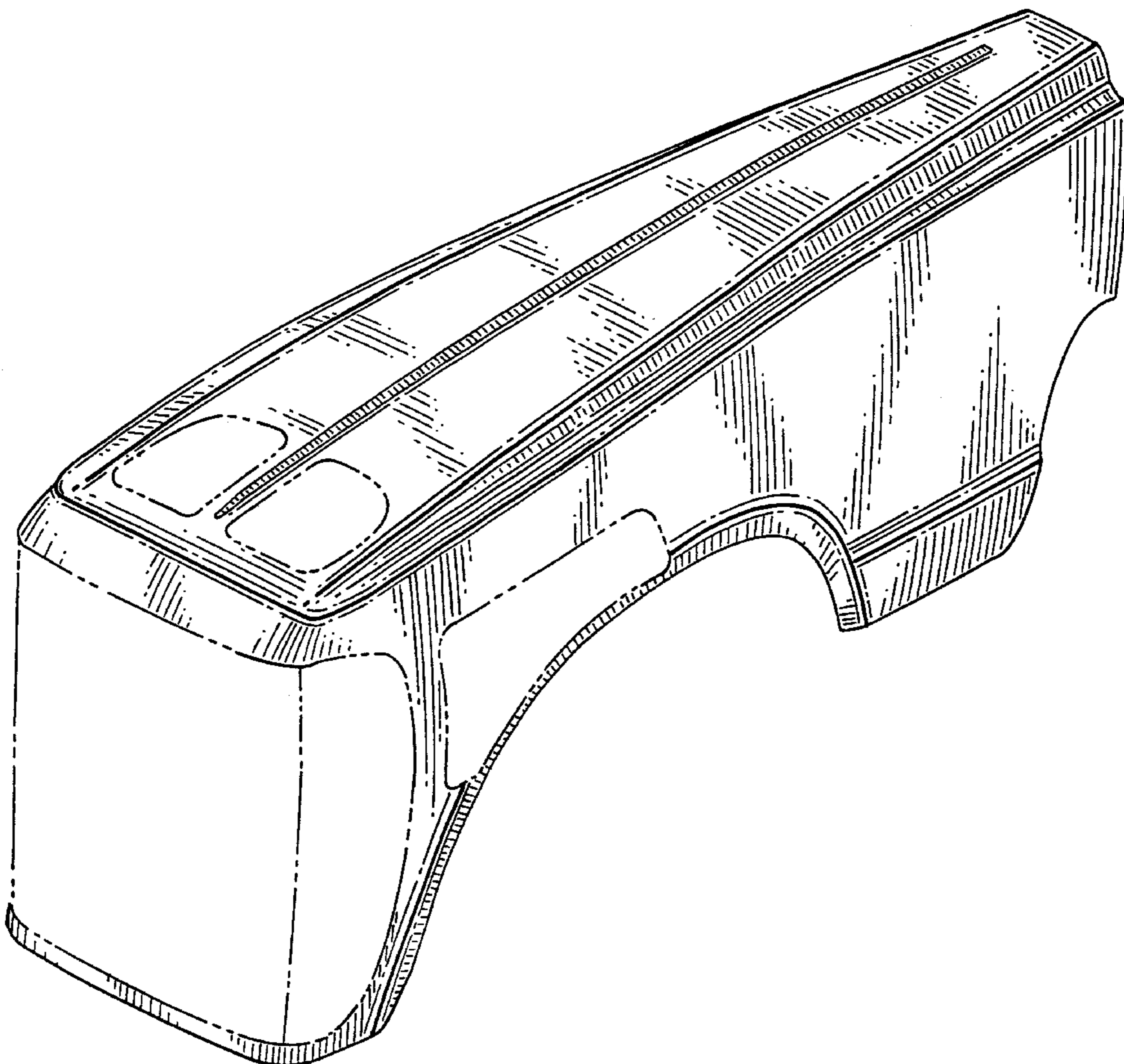
FIG. 5 is a front view of the tractor hood design of FIG. 1.

FIG. 6 is a right side view of the tractor hood design of FIG. 1; and,

FIG. 7 is a rear view of the tractor hood design of FIG. 1.

The broken line showing is for illustrative purposes only and forms no part of the claimed design.

**1 Claim, 4 Drawing Sheets**



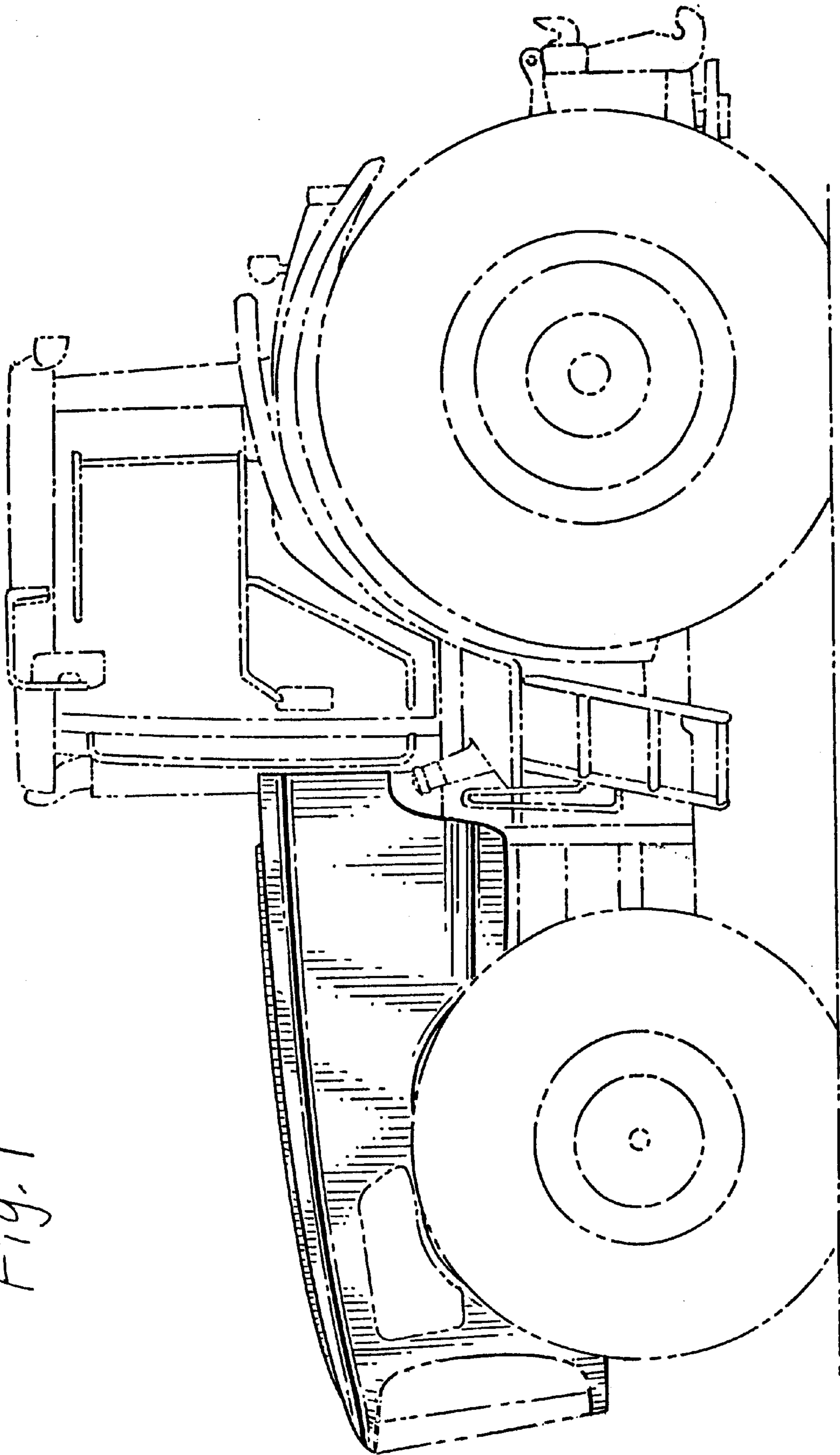


Fig. 1

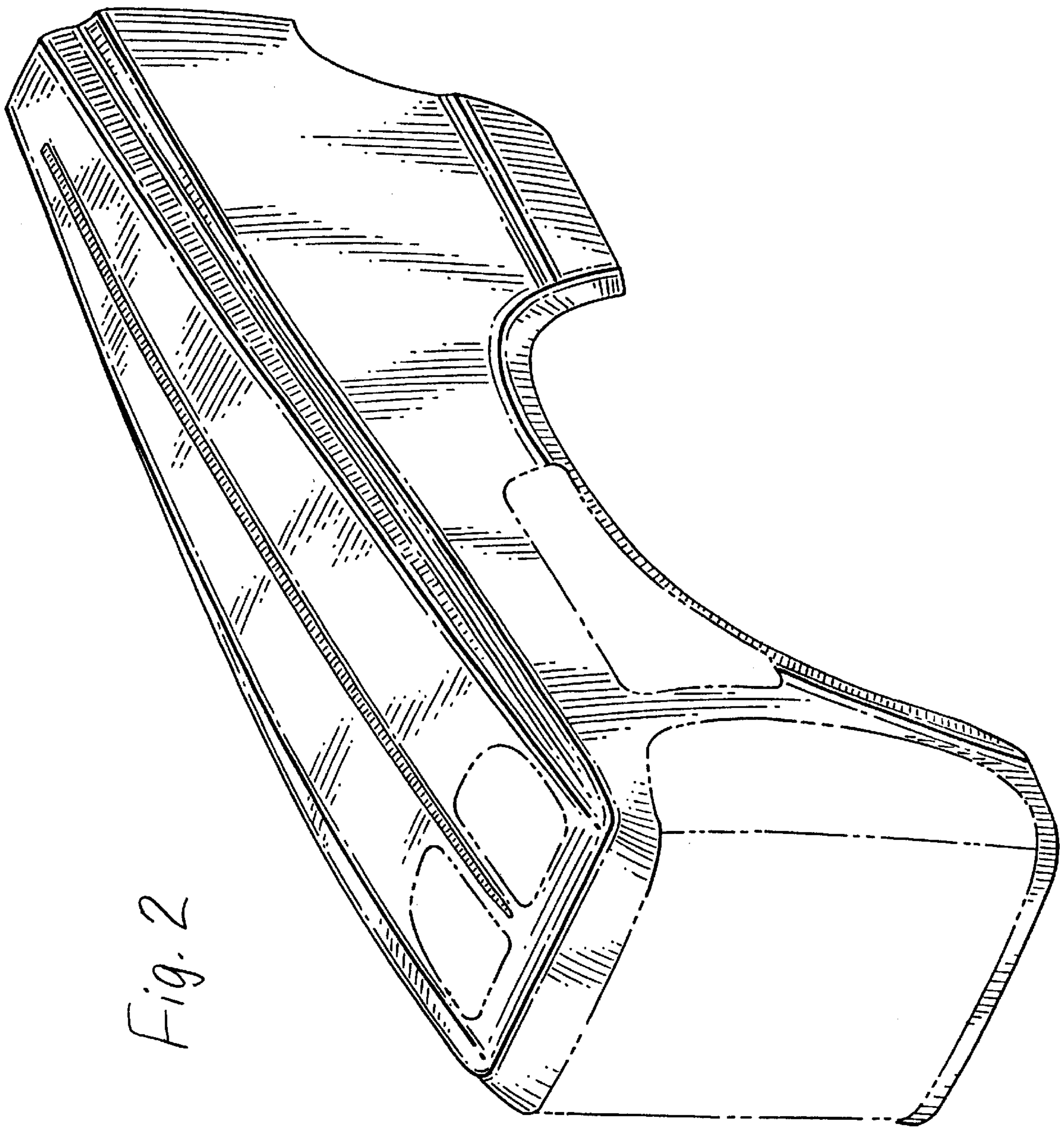


Fig. 2

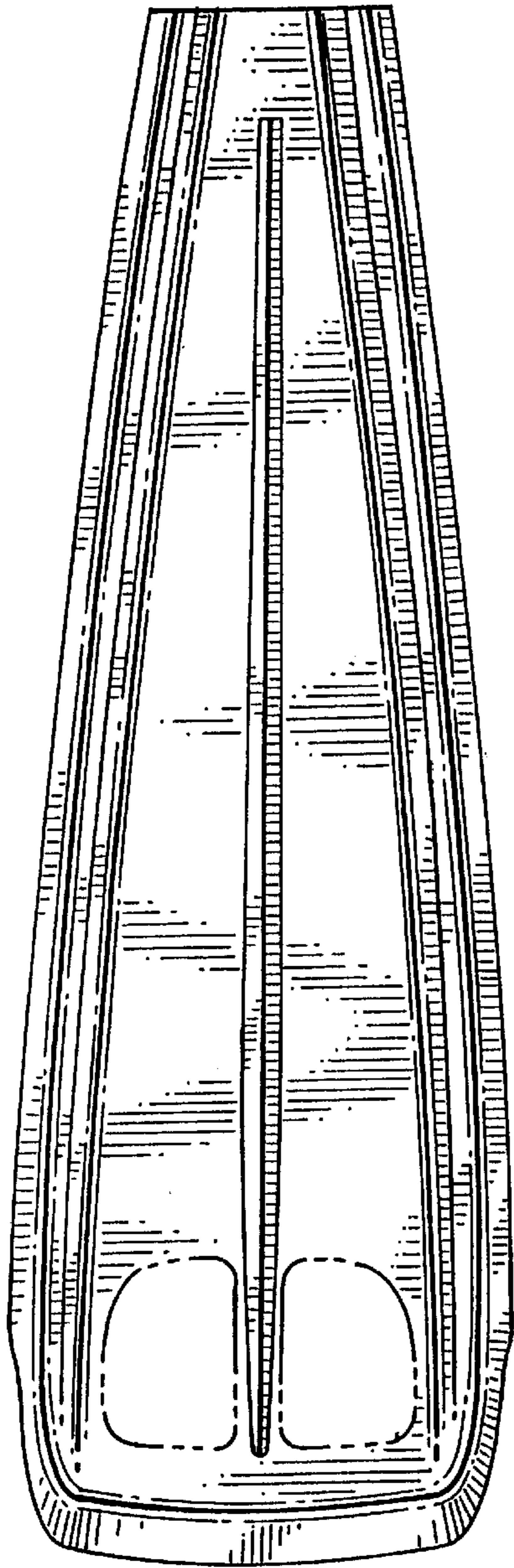


Fig. 3

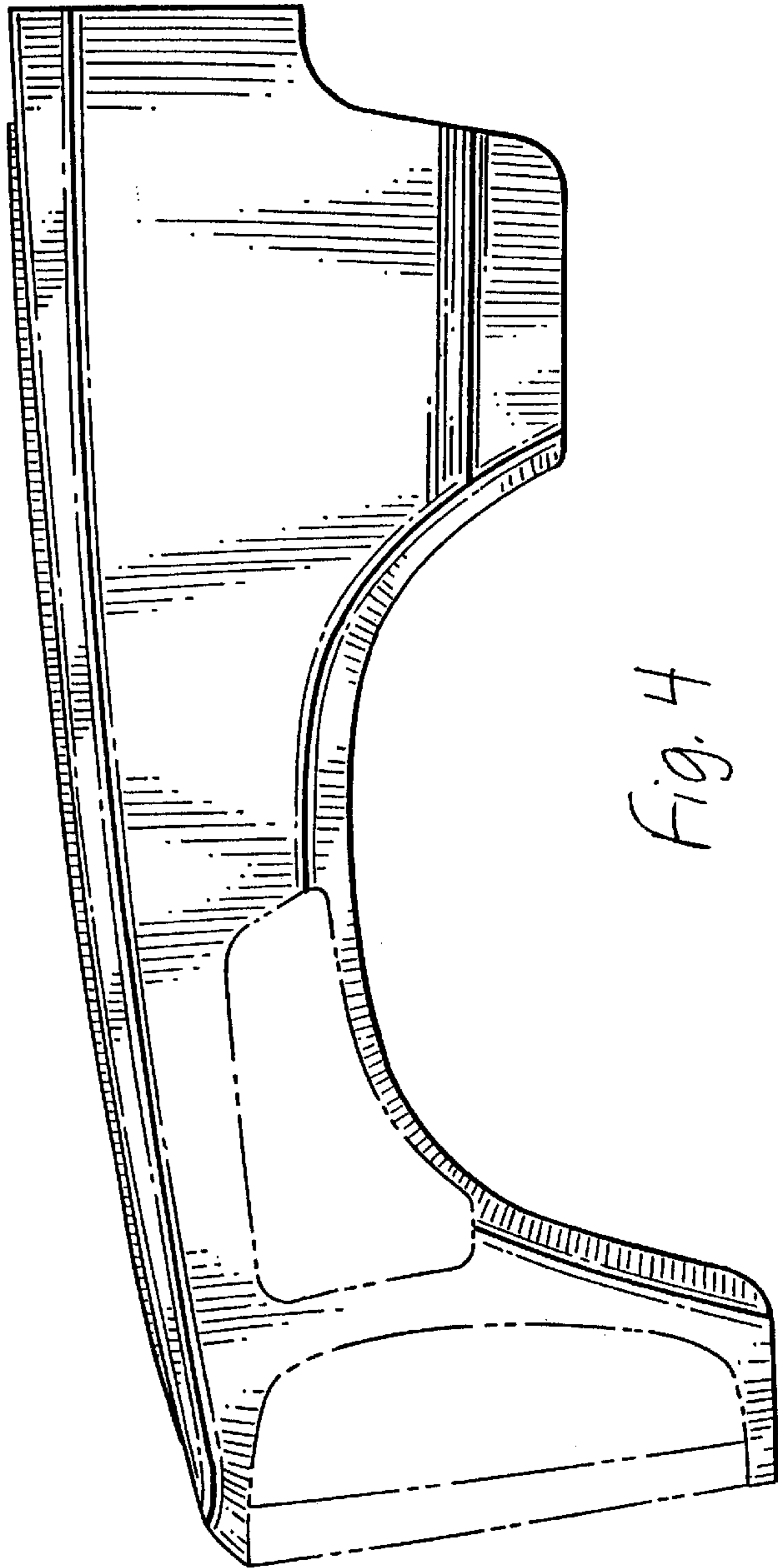


Fig. 4

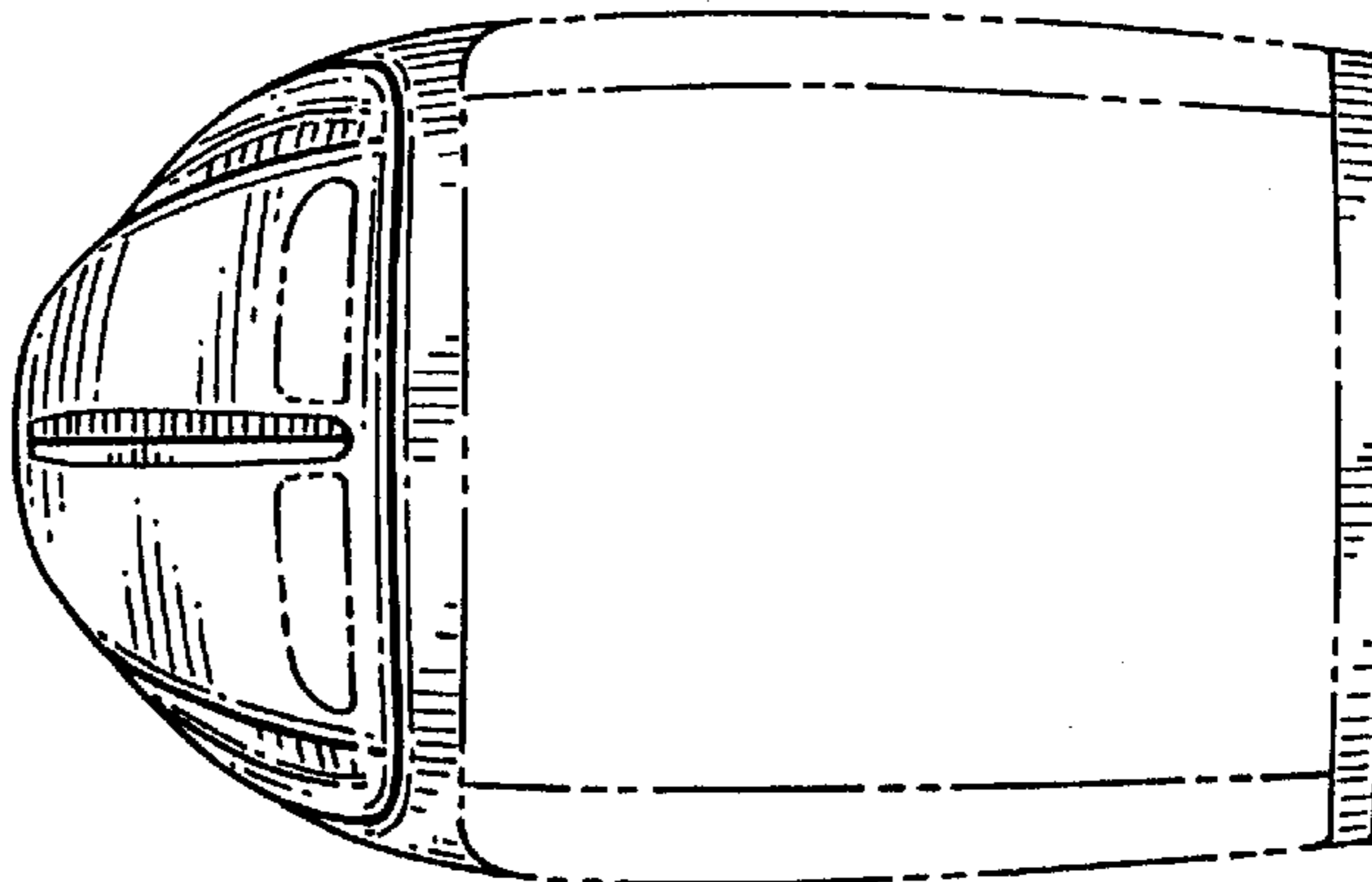


Fig. 5

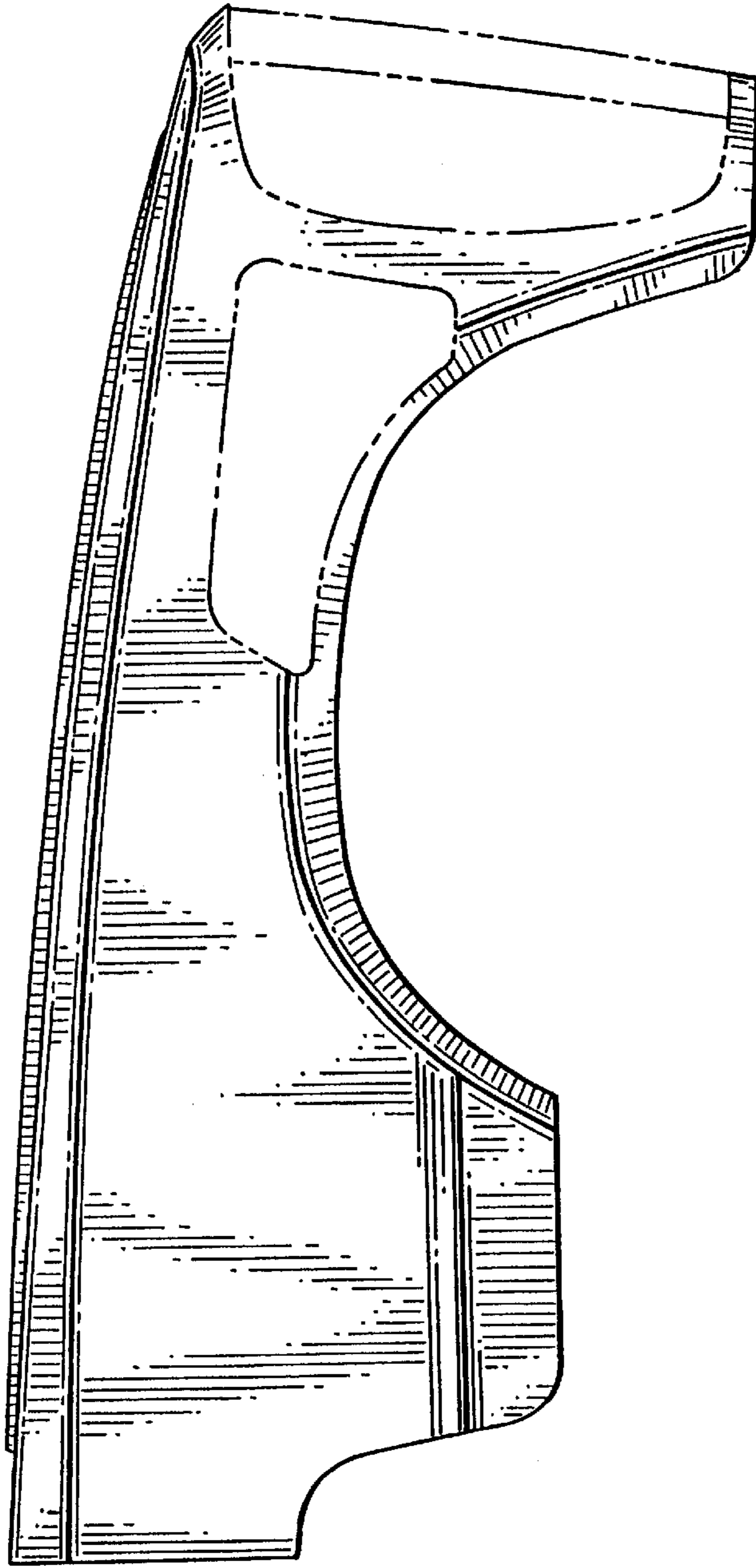


Fig. 6

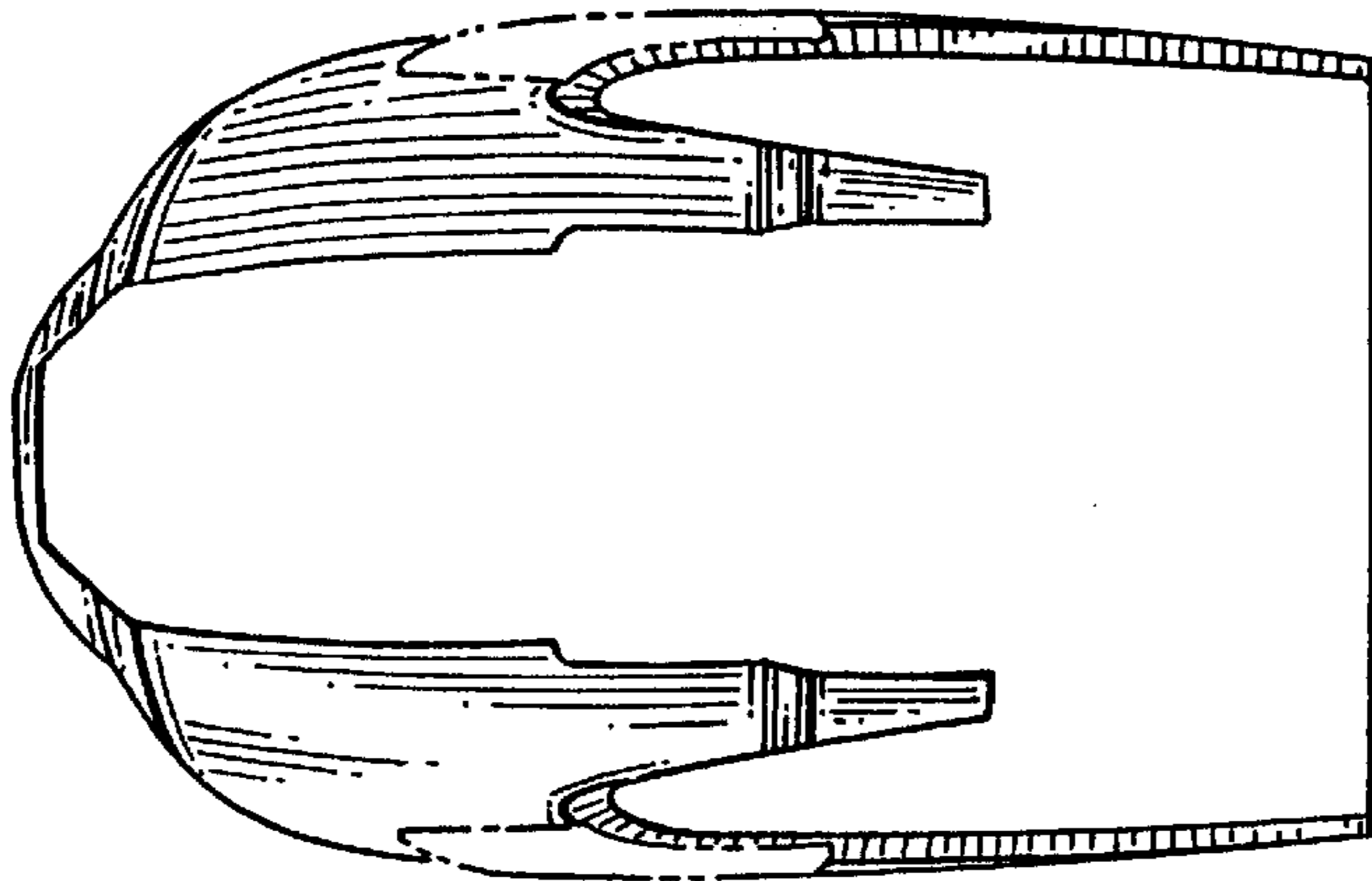


Fig. 7