



US00D451105B1

(12) **United States Design Patent**  
**Masumoto et al.**

(10) **Patent No.:** **US D451,105 S**

(45) **Date of Patent:** **\*\* Nov. 27, 2001**

(54) **ARM OF EXCAVATOR**

(75) Inventors: **Nobuyoshi Masumoto**, Tokyo;  
**Toshihiko Sakashita**, Komatsu, both of  
(JP)

(73) Assignees: **Komatsu Ltd.**, Tokyo; **Kabushiki**  
**Kaisha Muroto Tekkosho**, Komatsu,  
both of (JP)

(\*\*) Term: **14 Years**

(21) Appl. No.: **29/135,710**

(22) Filed: **Jan. 18, 2001**

(51) **LOC (7) Cl.** ..... **15-03**

(52) **U.S. Cl.** ..... **D15/28; D15/32**

(58) **Field of Search** ..... **D15/28, 32; 414/685,**  
**414/698, 699, 722**

(56) **References Cited**

**U.S. PATENT DOCUMENTS**

D. 339,813	*	9/1993	Houkom	.....	D15/32
D. 412,913	*	8/1999	Sasaki	.....	D15/28
5,611,657	*	3/1997	Peterson	.....	414/722

\* cited by examiner

*Primary Examiner*—Mitchell Siegel

(74) *Attorney, Agent, or Firm*—Kanesaka & Takeuchi

(57) **CLAIM**

The ornamental design for an arm of excavator, as shown and described.

**DESCRIPTION**

FIG. 1 is a front view of an arm of excavator showing our new design;

FIG. 2 is a rear view thereof;

FIG. 3 is a top plan view thereof;

FIG. 4 is a bottom plan view thereof;

FIG. 5 is a right side view thereof;

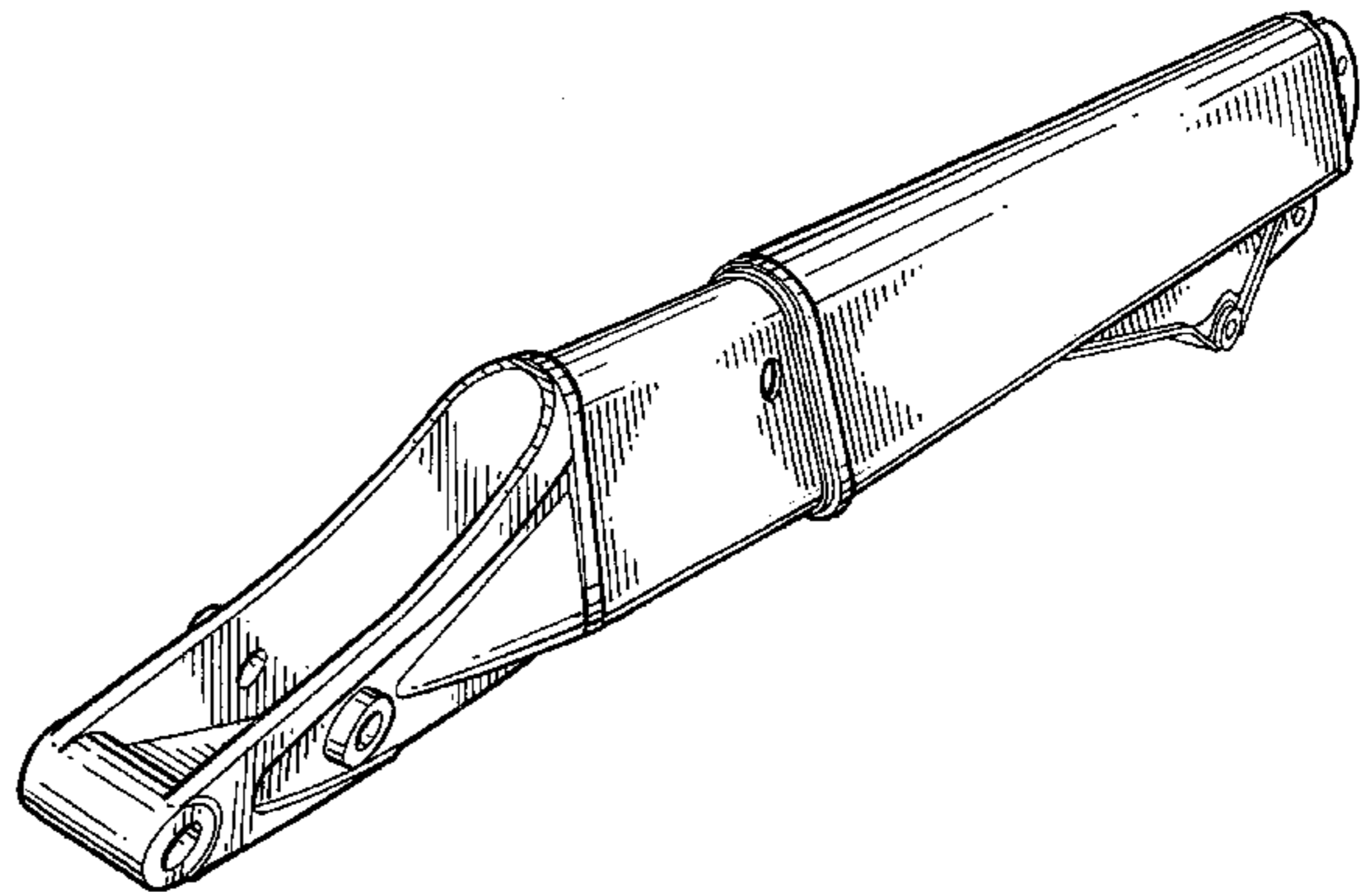
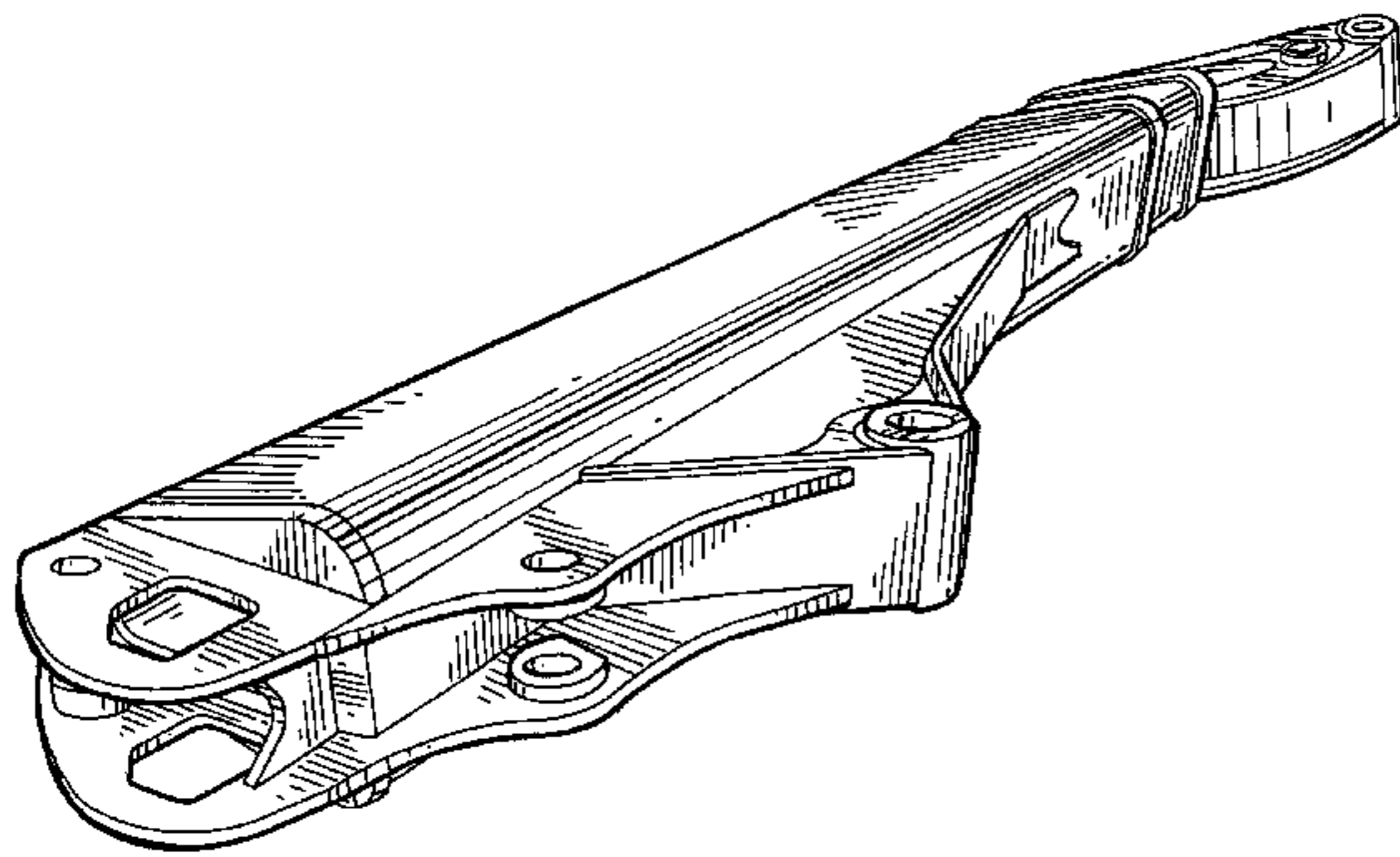
FIG. 6 is a left side view thereof;

FIG. 7 is a front view of the arm of excavator, in which two parts thereof are fully contracted;

FIG. 8 is a rear, right perspective view of the arm of excavator, in which the two parts are partly contracted; and,

FIG. 9 is a front, left perspective view of the arm of excavator in the condition shown in FIG. 8.

**1 Claim, 4 Drawing Sheets**



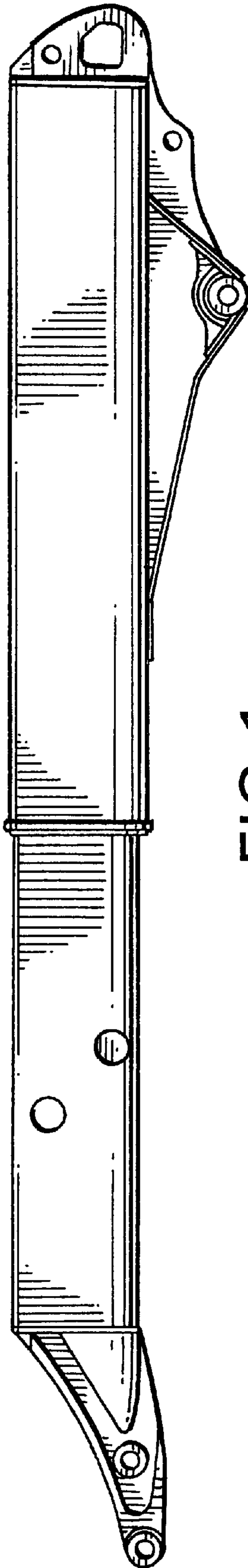


FIG. 1

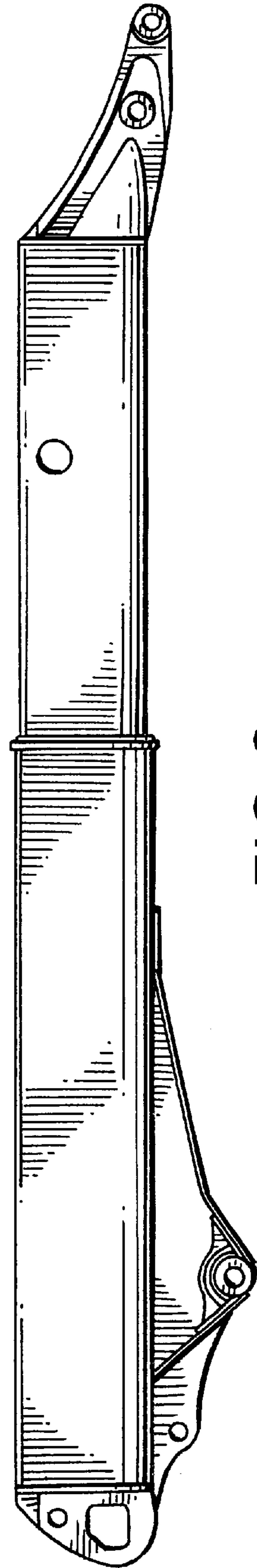


FIG. 2

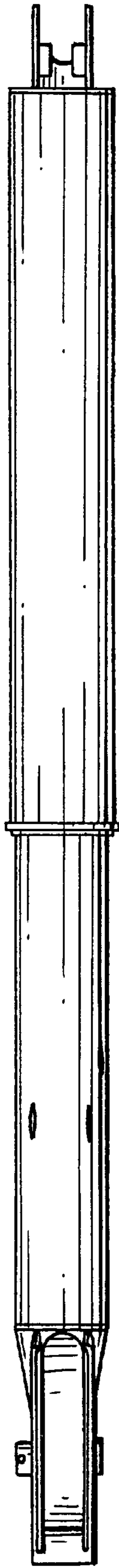


FIG. 3

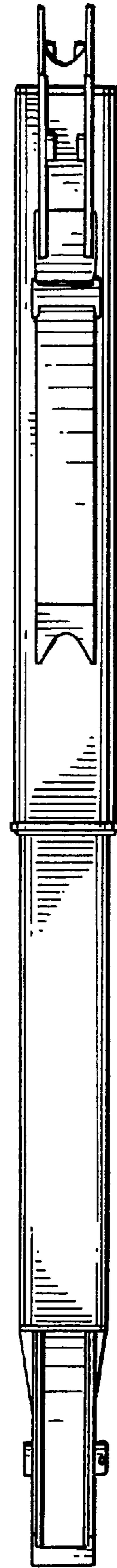


FIG. 4

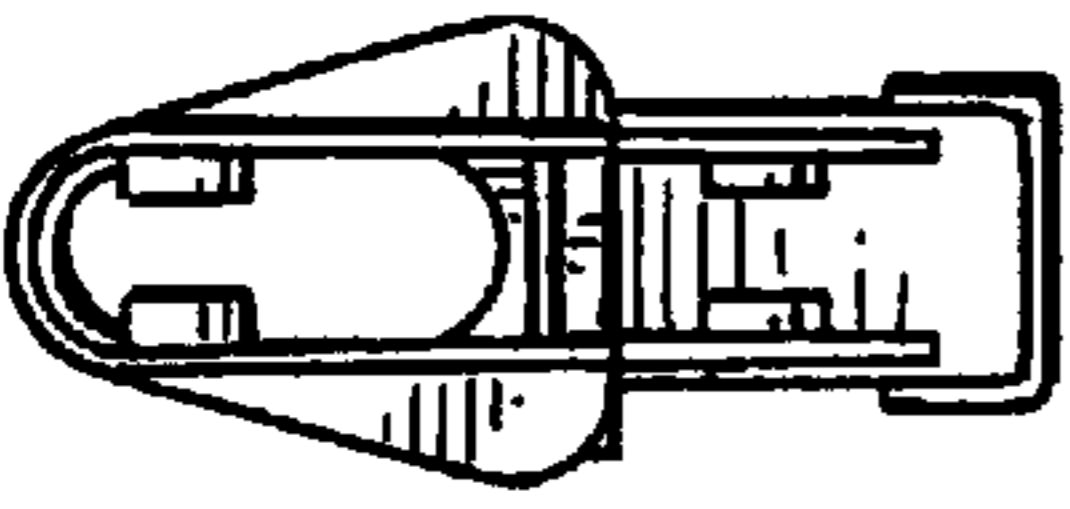


FIG. 5

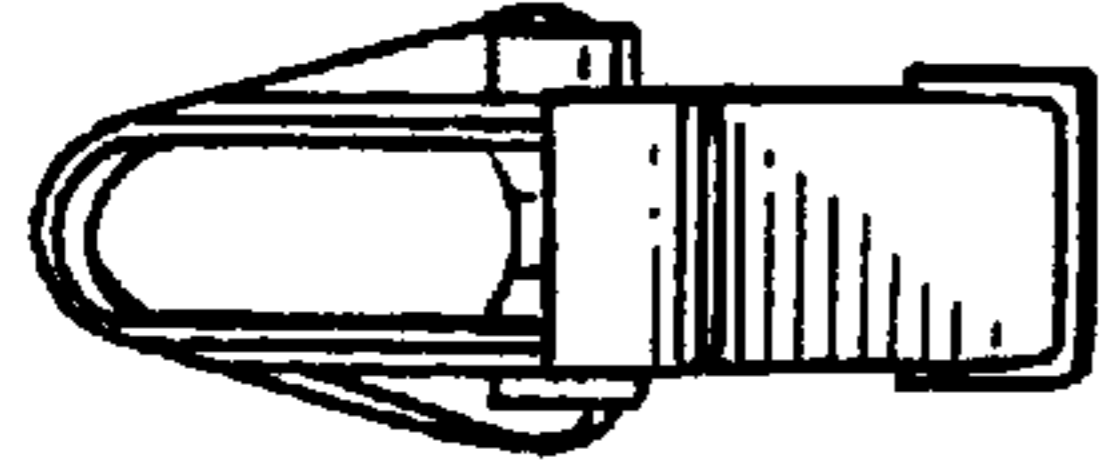


FIG. 6

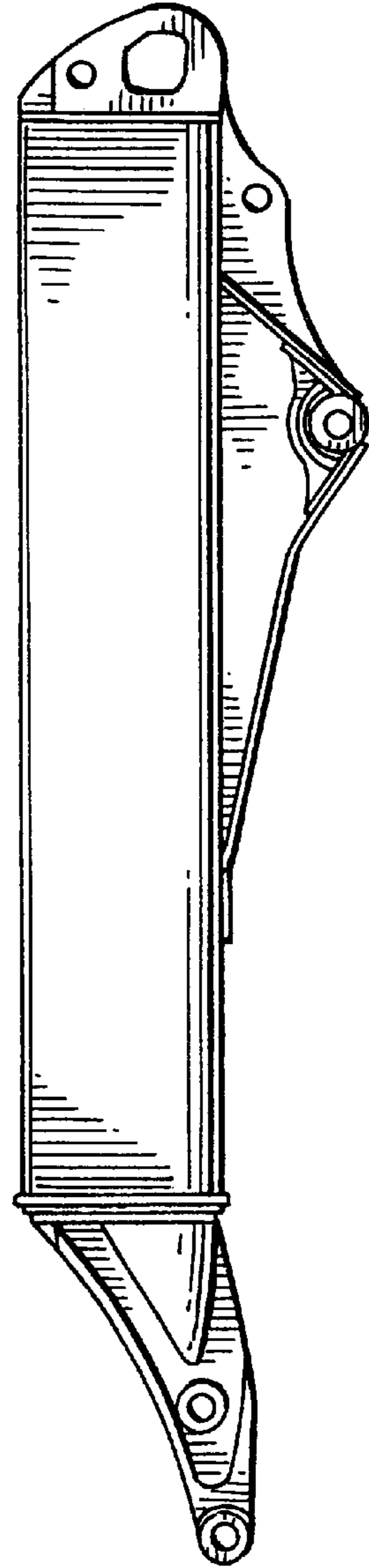


FIG. 7

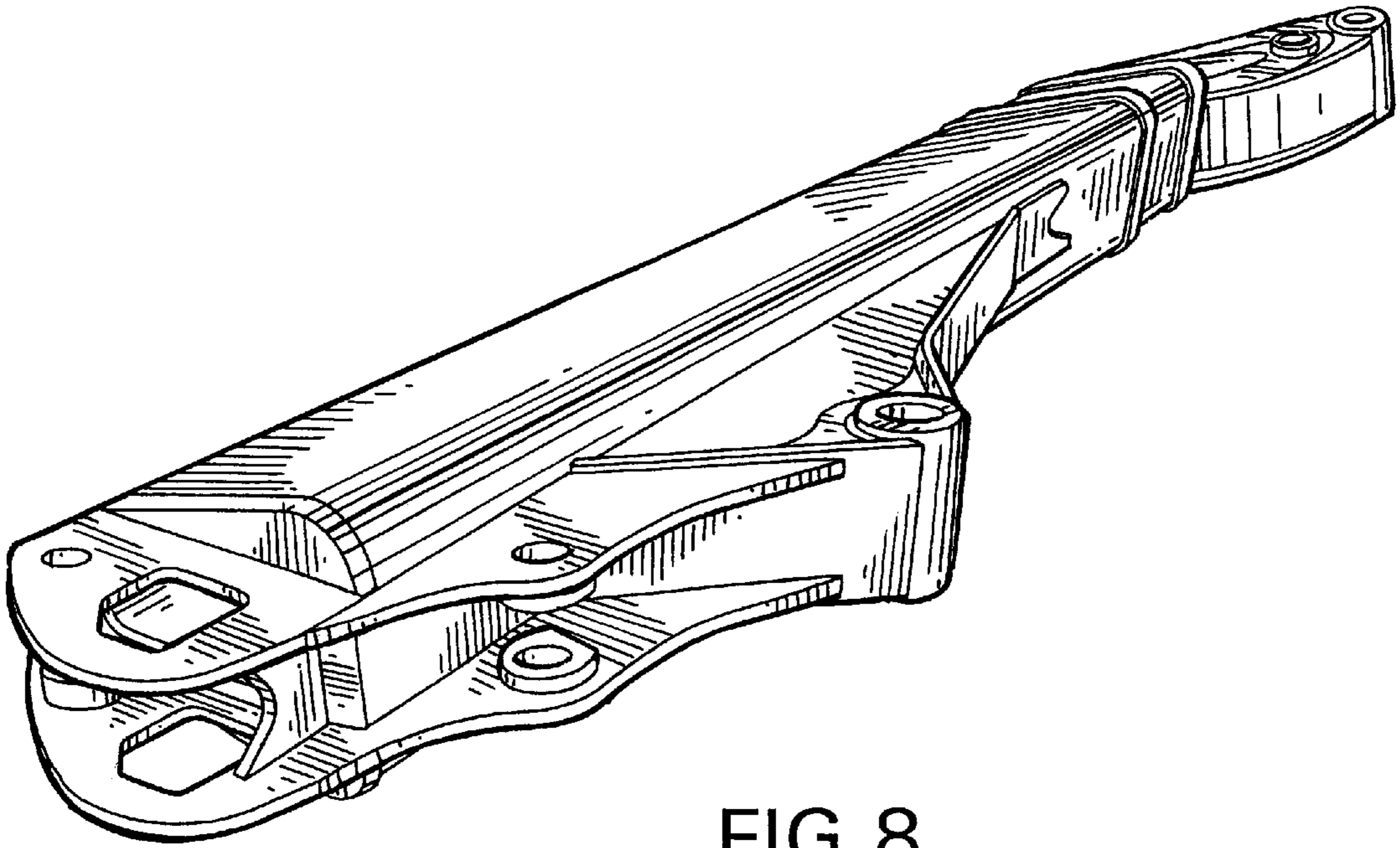


FIG. 8

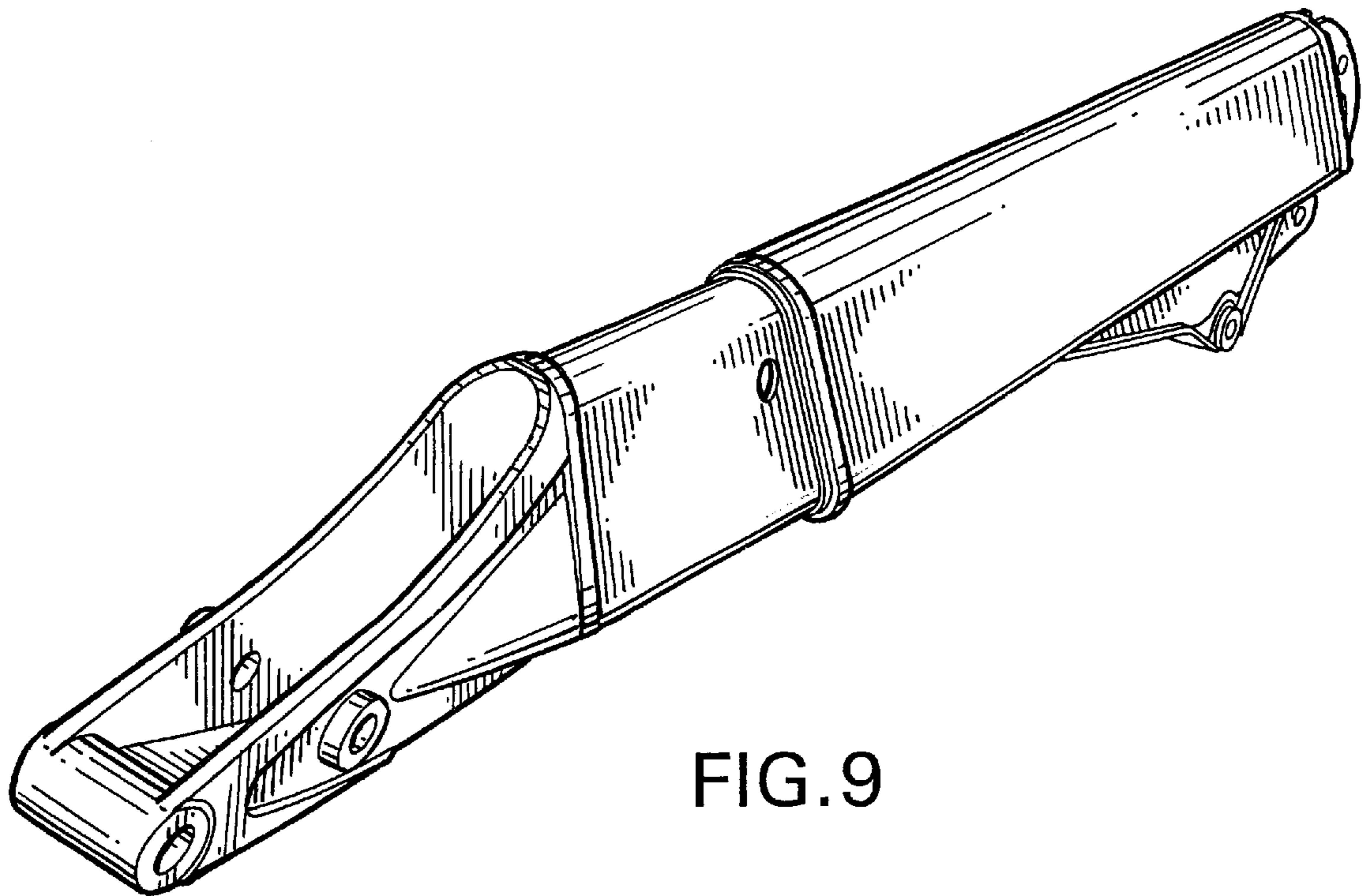


FIG. 9