



US00D451104B1

(12) **United States Design Patent**
Halstead

(10) **Patent No.:** **US D451,104 S**

(45) **Date of Patent:** **** Nov. 27, 2001**

(54) **ATTACHMENT WHEEL FOR A CONCRETE FINISHING MACHINE**

3,891,342 * 6/1975 Roe 404/128
5,088,799 2/1992 Redmon et al. .

(76) **Inventor:** **David Halstead**, 5273 Alpine Meadows St., Alta Loma, CA (US) 91737

* cited by examiner

(**) **Term:** **14 Years**

Primary Examiner—Mitchell Siegel
(74) *Attorney, Agent, or Firm*—Eric Karich

(21) **Appl. No.:** **29/127,549**

(57) **CLAIM**

(22) **Filed:** **Aug. 8, 2000**

The ornamental design for an attachment wheel for a concrete finishing machine, as shown and described.

(51) **LOC (7) Cl.** **15-03**

DESCRIPTION

(52) **U.S. Cl.** **D15/28**

(58) **Field of Search** D15/28; 404/112, 404/127, 128; 16/18 R, 19, 45-48; 180/19.1; 37/142.5, 379, 410, 444

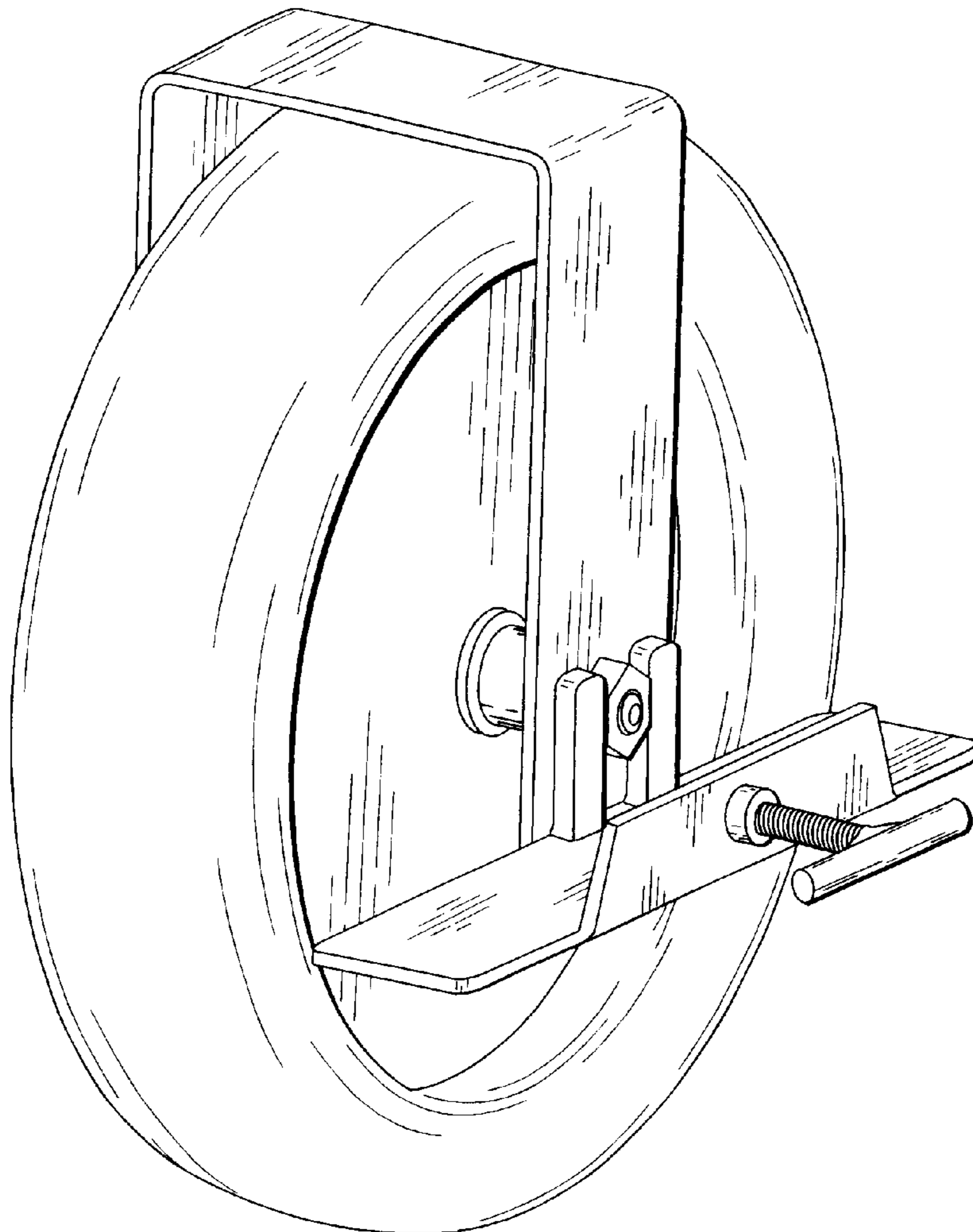
FIG. 1 is a perspective view of a attachment wheel for a concrete finishing machine, showing my new design; FIG. 2 is a front elevational view thereof; FIG. 3 is a rear elevational view thereof; FIG. 4 is a right side elevational view thereof, the left side elevation view being a mirror image thereof; FIG. 5 is a top plan view thereof; and, FIG. 6 is a bottom plan view thereof.

(56) **References Cited**

U.S. PATENT DOCUMENTS

2,621,568 * 12/1952 Fletcher 404/112
2,983,203 * 5/1961 Fletcher 404/112
3,680,452 * 8/1972 Mangum 404/127

1 Claim, 3 Drawing Sheets



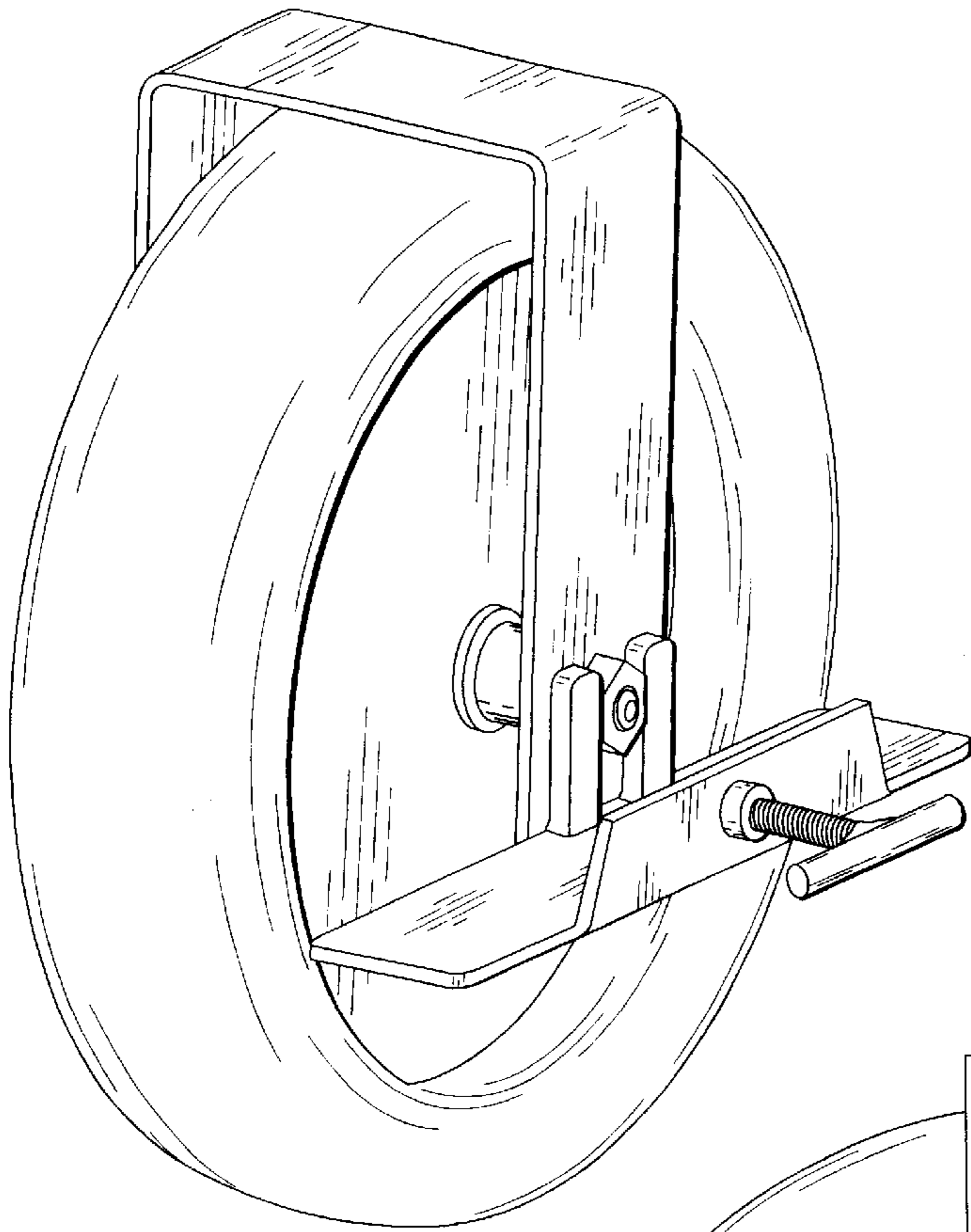


Fig. 1

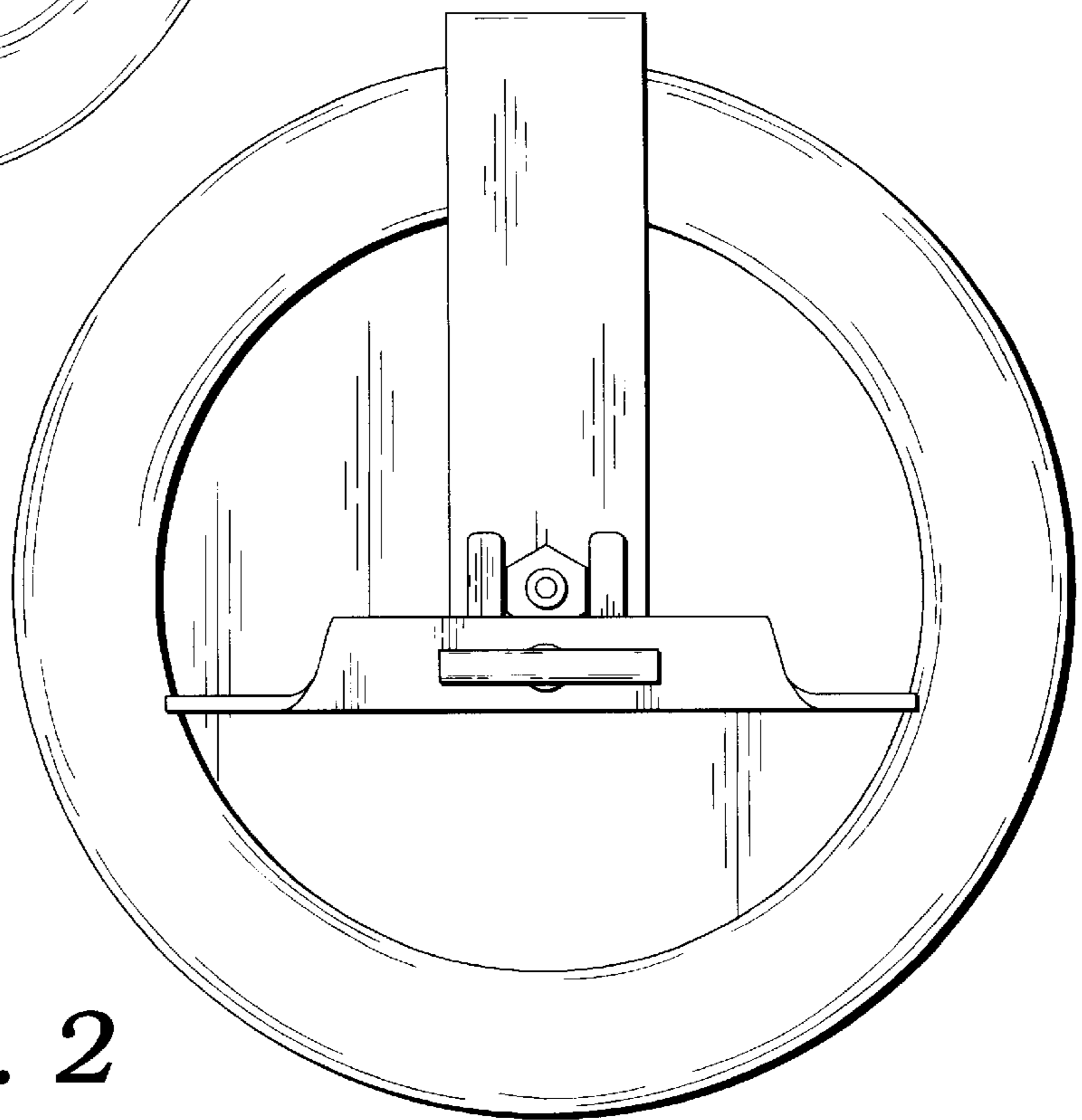


Fig. 2

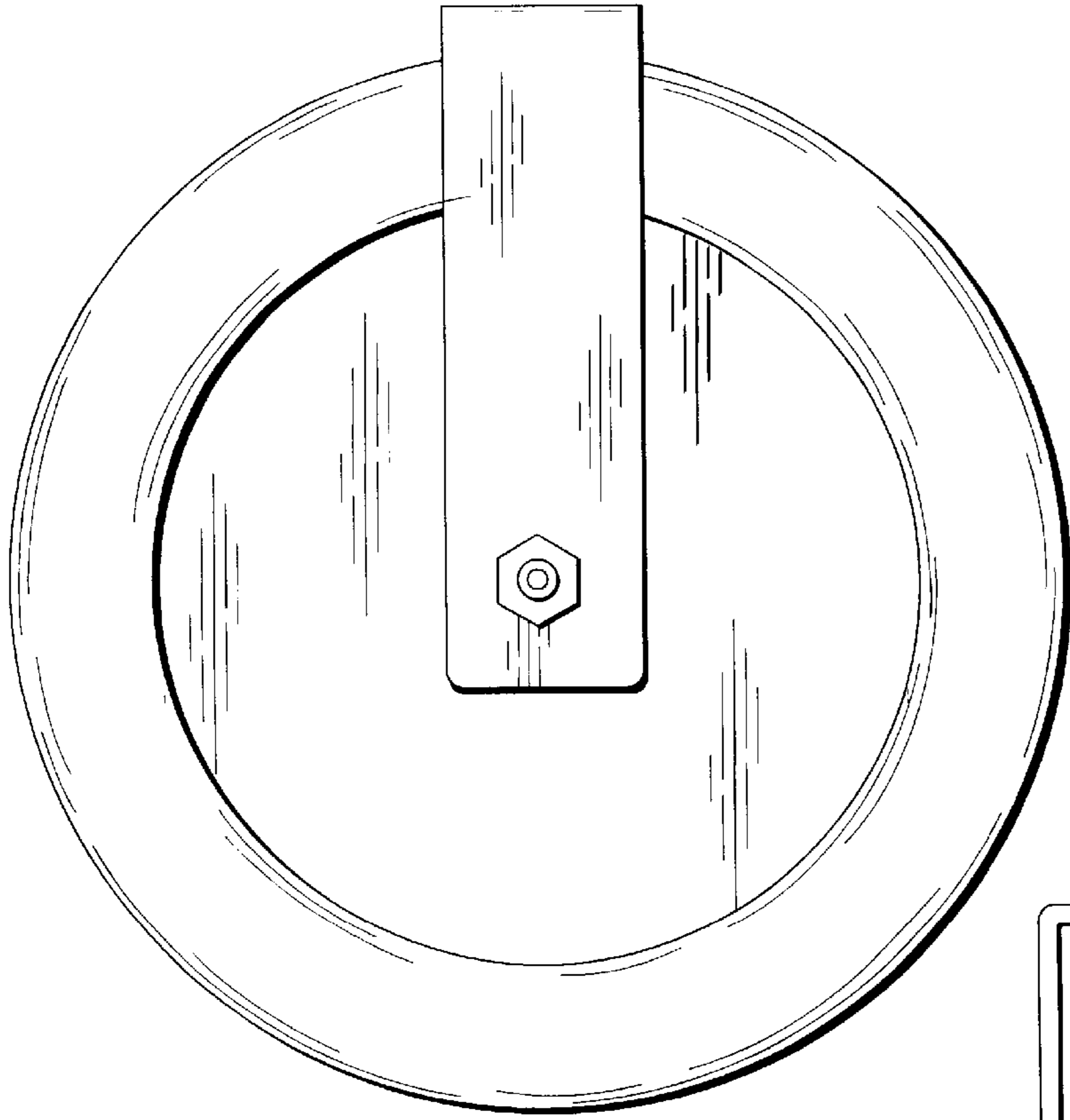


Fig. 3

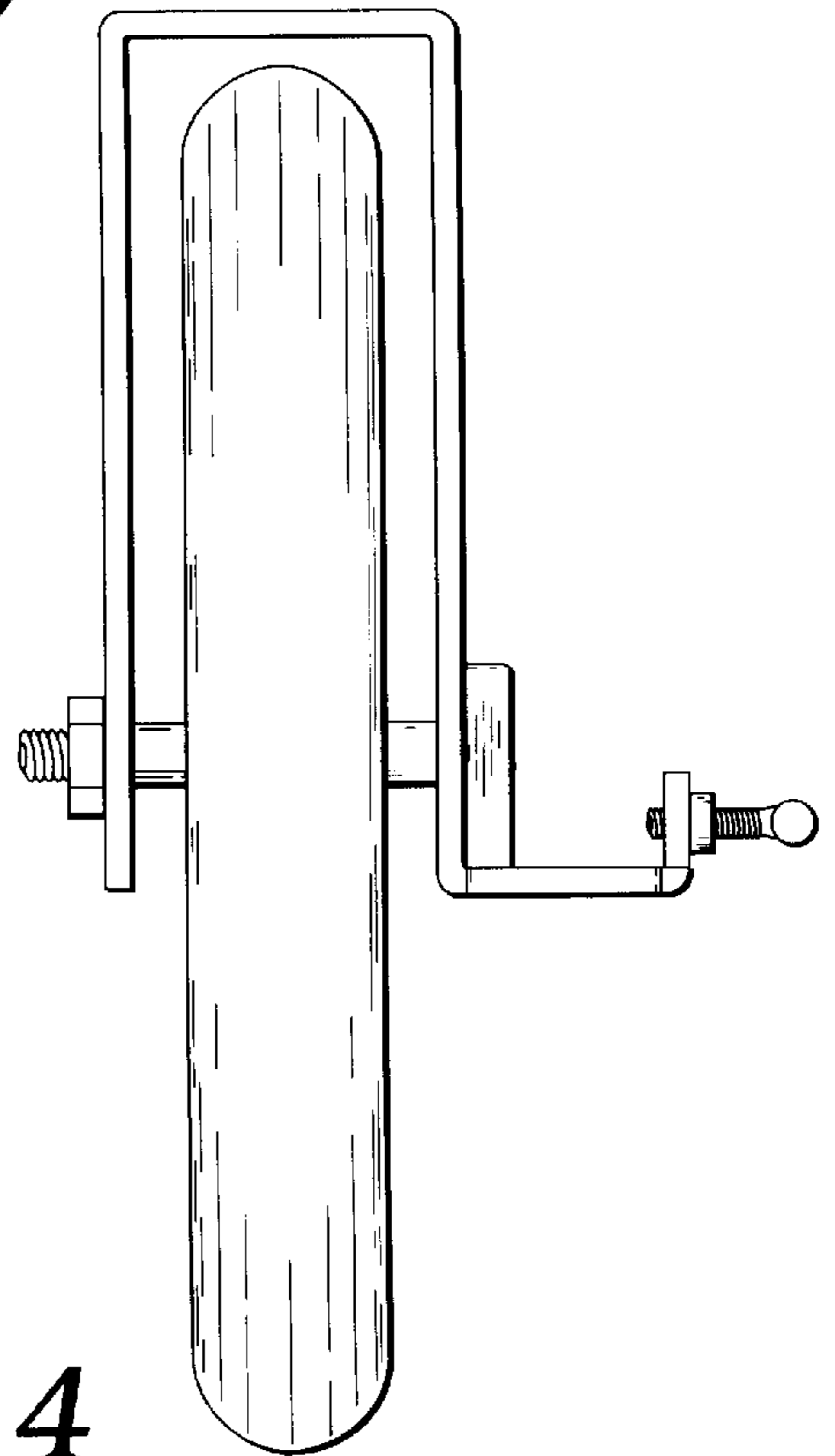


Fig. 4

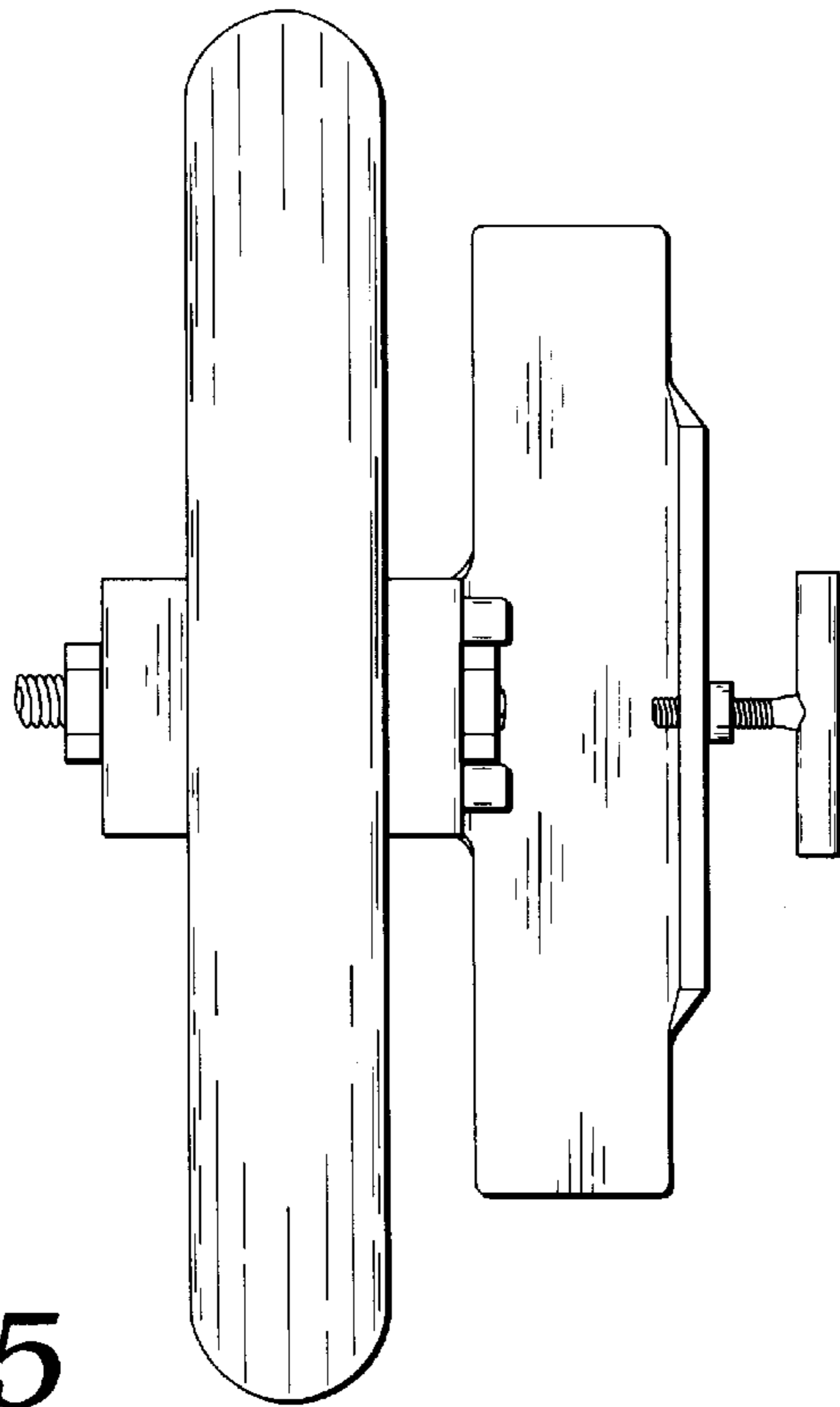


Fig. 5

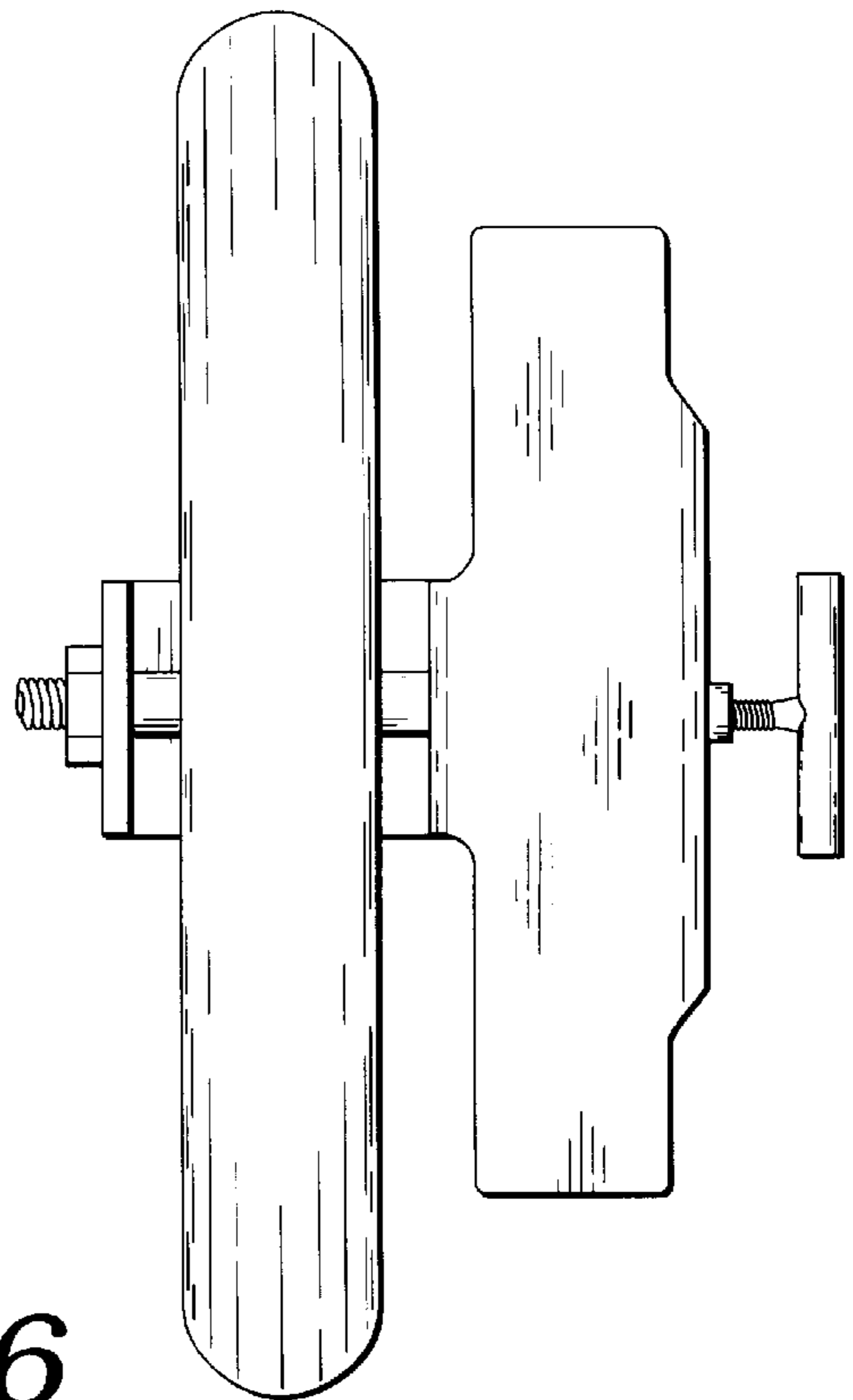


Fig. 6