



US00D451103B1

(12) **United States Design Patent**  
**Porter et al.**

(10) **Patent No.:** **US D451,103 S**

(45) **Date of Patent:** **\*\* Nov. 27, 2001**

(54) **FOLDING HANDLE FOR EARTH WORKING MACHINE**

FOREIGN PATENT DOCUMENTS

1082908 A 3/1984 (SU) .

(76) Inventors: **Roger D. Porter**, 2315 Highway 701 South; **Jerome C. Burroughs**, P.O. Box 776, both of Loris, SC (US) 29569

OTHER PUBLICATIONS

E-Z Trench Brochure Showing J-3000 Ground Saw; J-1000; BE-1000 Bedder Edger; and TX-1000/500. E-Z Trench Brochure Showing Ground Saw J-3000.

(\*\*) Term: **14 Years**

\* cited by examiner

(21) Appl. No.: **29/133,267**

*Primary Examiner*—Mitchell Siegel

(22) Filed: **Nov. 27, 2000**

(74) *Attorney, Agent, or Firm*—Leatherwood Walker Todd & Mann, P.C.

(51) **LOC (7) Cl.** ..... **15-03**

(52) **U.S. Cl.** ..... **D15/12**

(58) **Field of Search** ..... D15/12; 37/94, 37/142.5, 101, 87, 91; 465/181, 174, 179

(57) **CLAIM**

The ornamental design for a folding handle for earth working machine, as shown and described.

(56) **References Cited**

**DESCRIPTION**

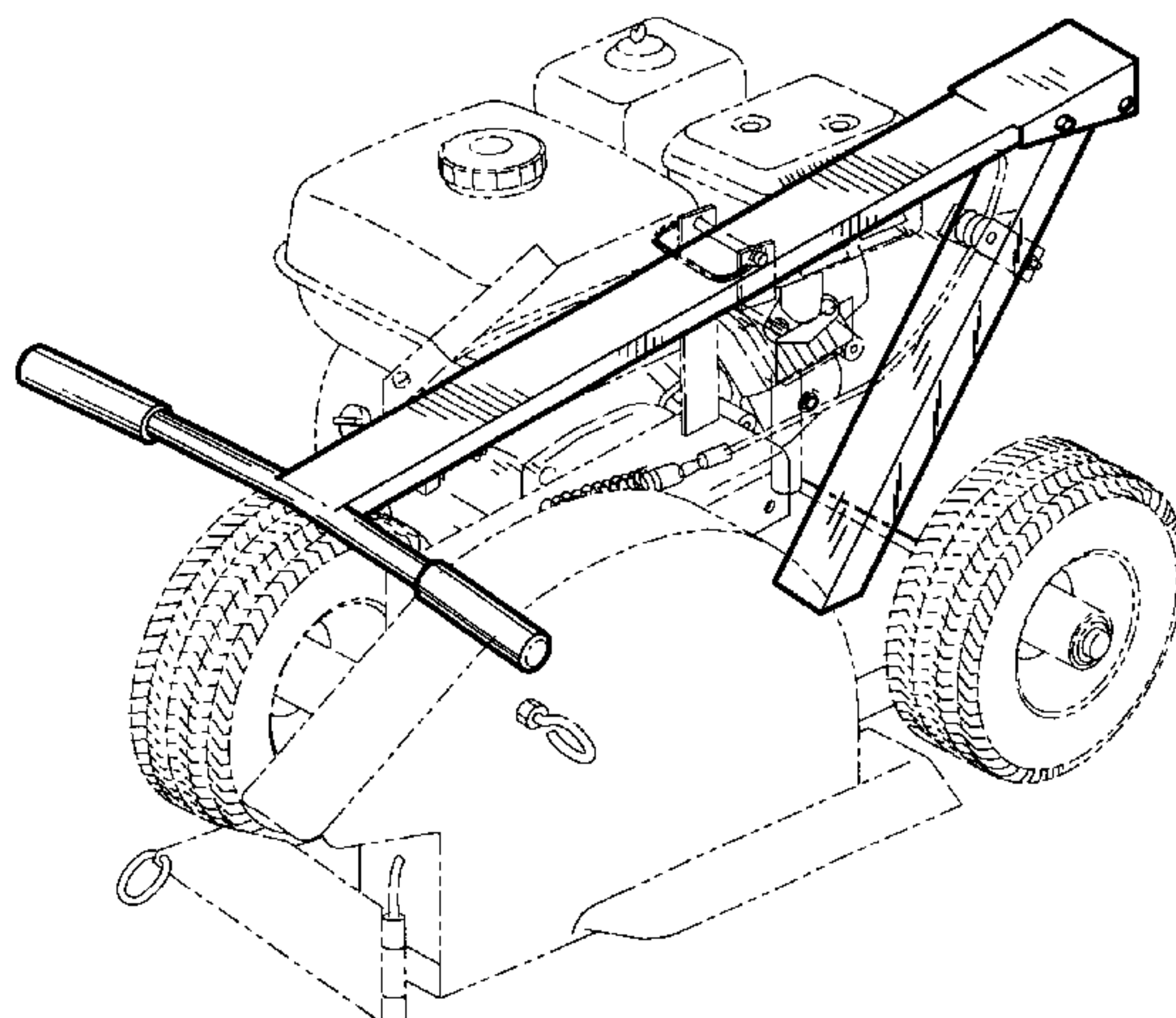
**U.S. PATENT DOCUMENTS**

917,821	3/1909	White .	
2,903,077	9/1959	Kamlukin .....	172/42
2,928,479	3/1960	Petersen .....	172/16
2,979,837 *	4/1961	Hunter .....	37/94
2,997,276	8/1961	Davis .....	254/166
3,132,539	5/1964	Hotz .....	74/792
3,442,335	5/1969	Silbereis et al. ....	172/43
3,496,973	2/1970	Ballard .....	143/133
4,002,205	1/1977	Falk .....	172/15
4,043,399	8/1977	Morrison .....	172/42
4,094,362	6/1978	Hild .....	172/120
4,188,934	2/1980	Reinhardt et al. ....	125/4
4,346,764	8/1982	Rossi .....	172/42
4,421,178	12/1983	Vandelli et al. ....	172/548
4,503,630	3/1985	Riley .....	37/94
4,545,438	10/1985	Giovanni .....	172/123
4,625,810	12/1986	Edmission .....	172/749
4,703,786 *	11/1987	Doskocil .....	144/24.12
4,825,569 *	5/1989	Porter .....	37/142.5
4,914,840 *	4/1990	Porter .....	37/142.5
4,939,854	7/1990	Boren .....	37/94
4,958,457	9/1990	Doskocil .....	37/94
4,979,573	12/1990	Williamson .....	172/15
5,009,270	4/1991	Vangsgard .....	172/42
5,226,248	7/1993	Pollard .....	37/94
5,228,221	7/1993	Hillard et al. ....	37/355
5,320,451	6/1994	Garvey et al. ....	405/181
5,355,597	10/1994	Pollard .....	37/94

FIG. 1 is a perspective view of our invention, showing a folding handle for earth working machine in a folded configuration;  
 FIG. 2 is a perspective view of the invention shown in FIG. 1, showing the folding handle for earth working machine in an extended position;  
 FIG. 3 is a rear perspective view of the invention shown in FIG. 1;  
 FIG. 4 is a left side elevational view of the invention shown in FIG. 1;  
 FIG. 5 is a right side elevation of the invention shown in FIG. 1;  
 FIG. 6 is a front elevational view of the invention shown in FIG. 1;  
 FIG. 7 is a rear elevational view of the invention shown in FIG. 1;  
 FIG. 8 is a top plan view of the invention shown in FIG. 1; and,  
 FIG. 9 is a bottom plan view of the invention shown in FIG. 1.

The broken lines of the earth working machine are for illustrative purposes only, and form no part of the claimed design.

**1 Claim, 6 Drawing Sheets**



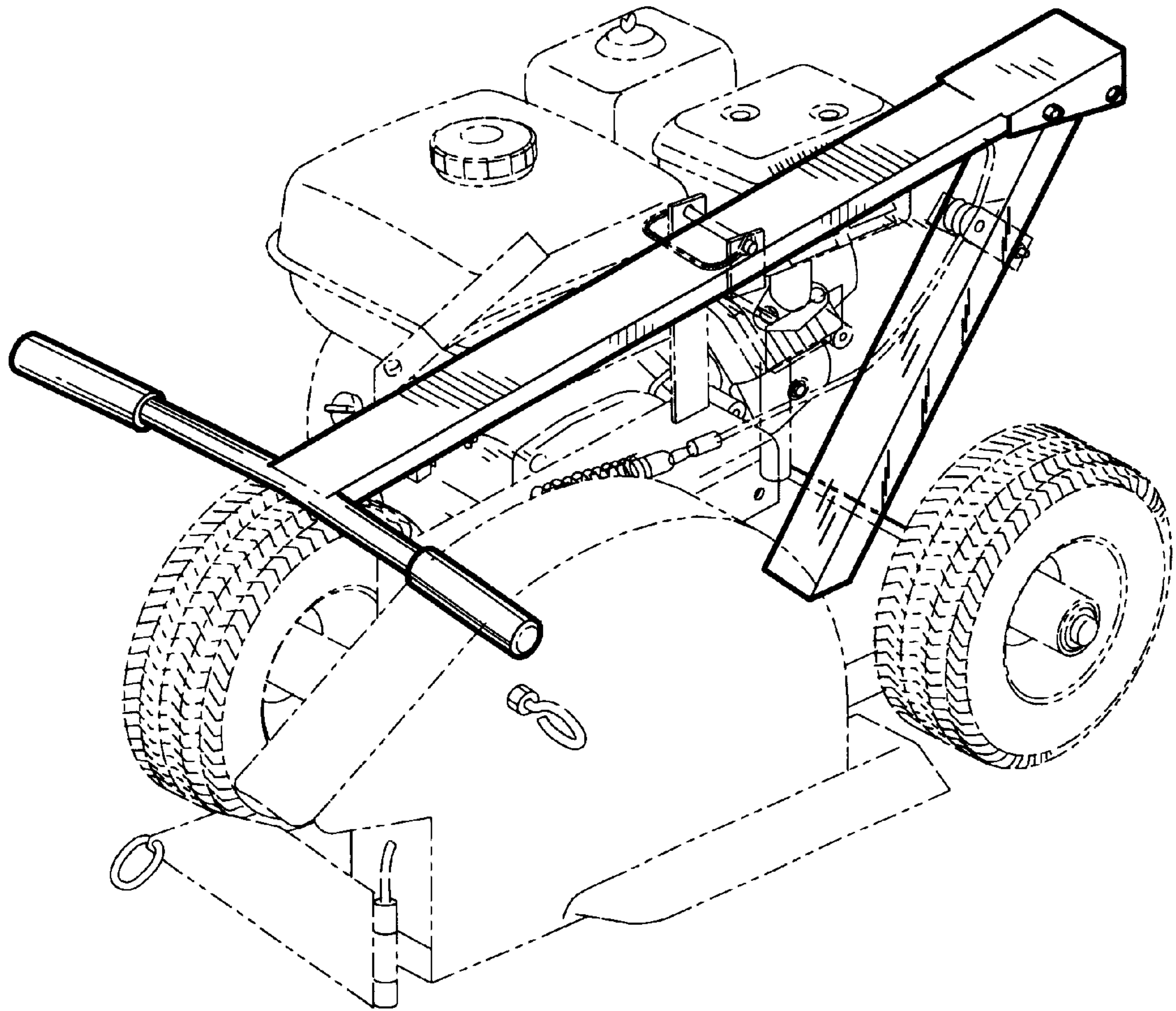


Fig. 1

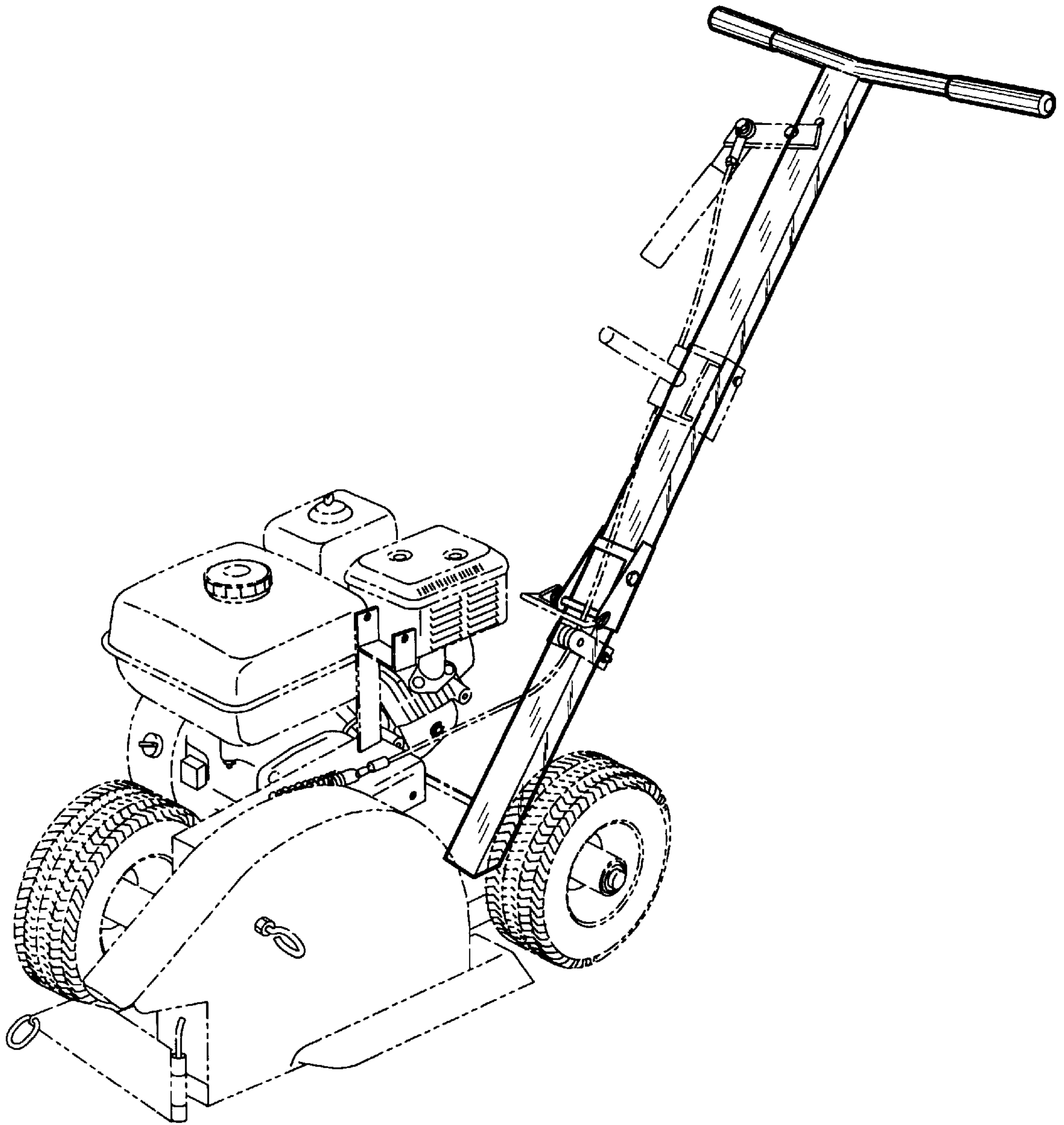


Fig. 2



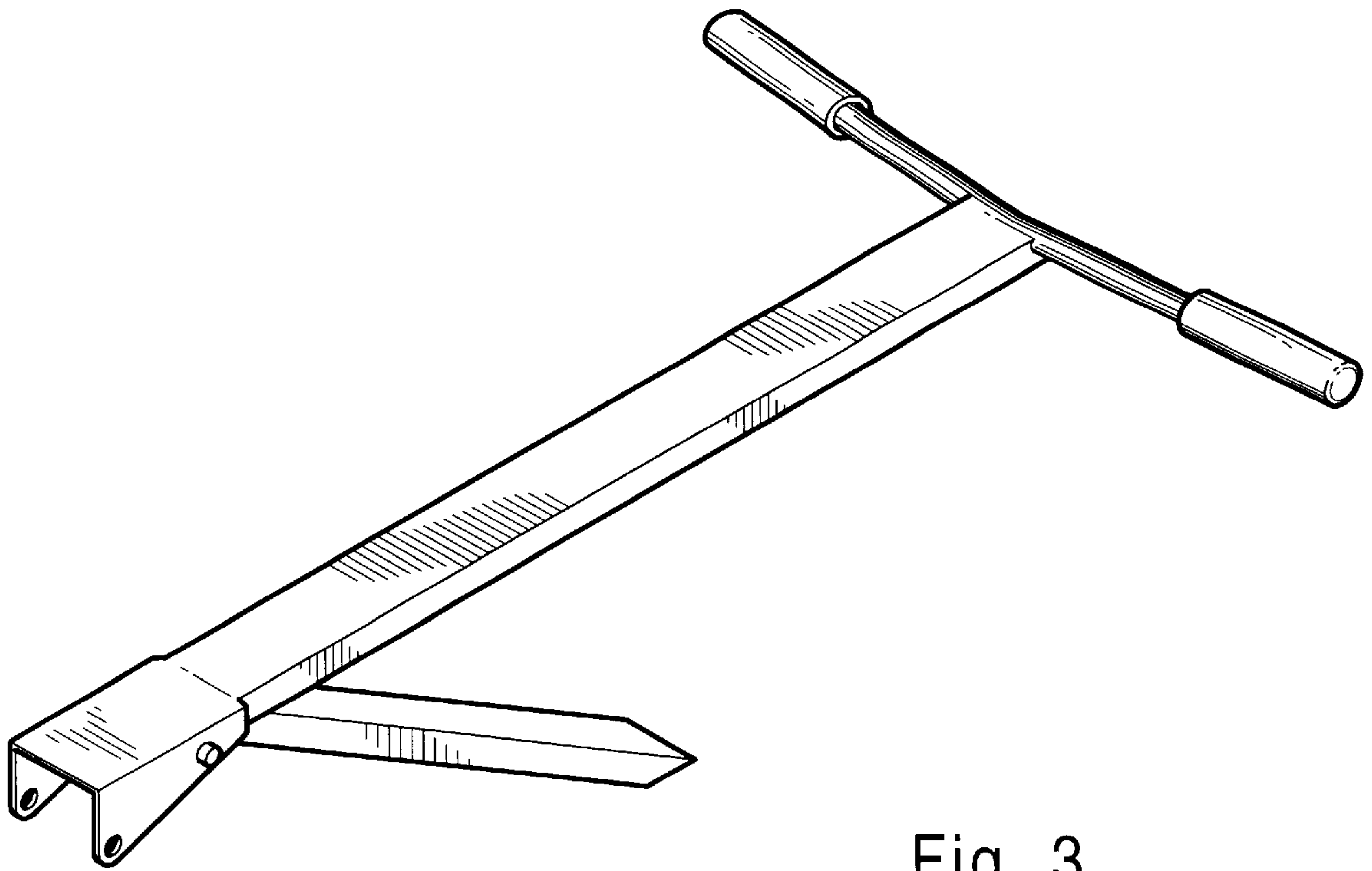


Fig. 3

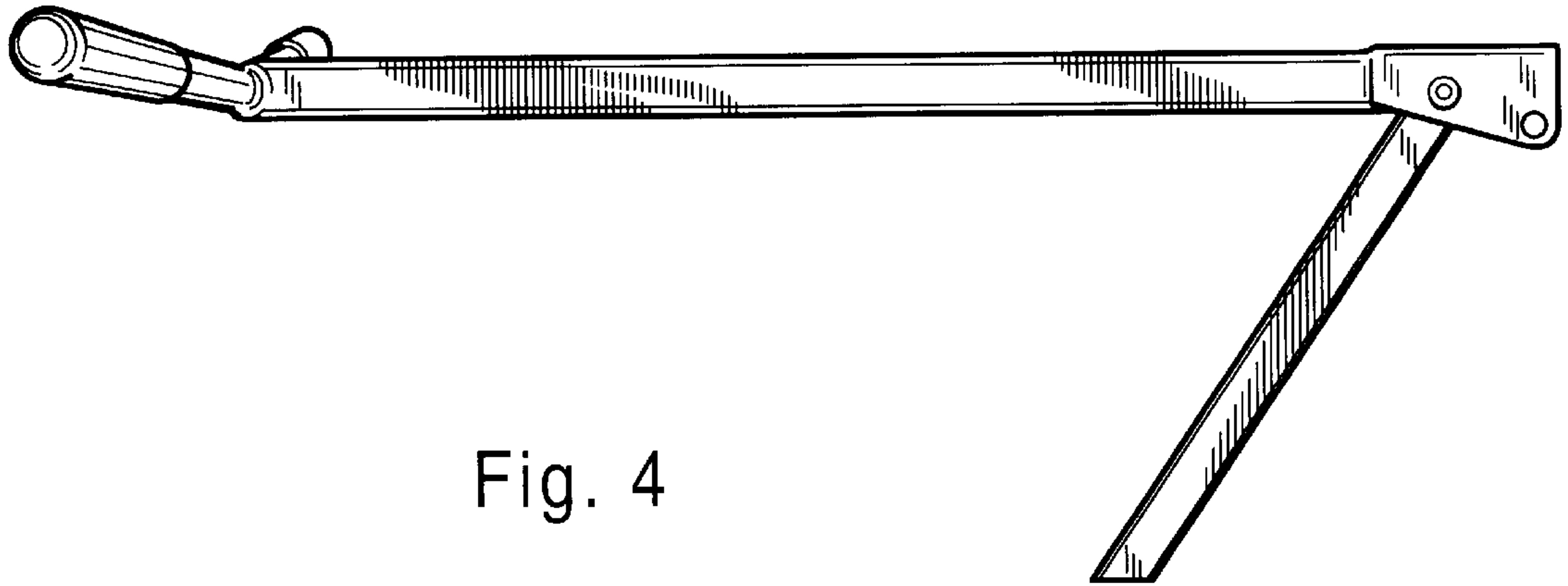


Fig. 4

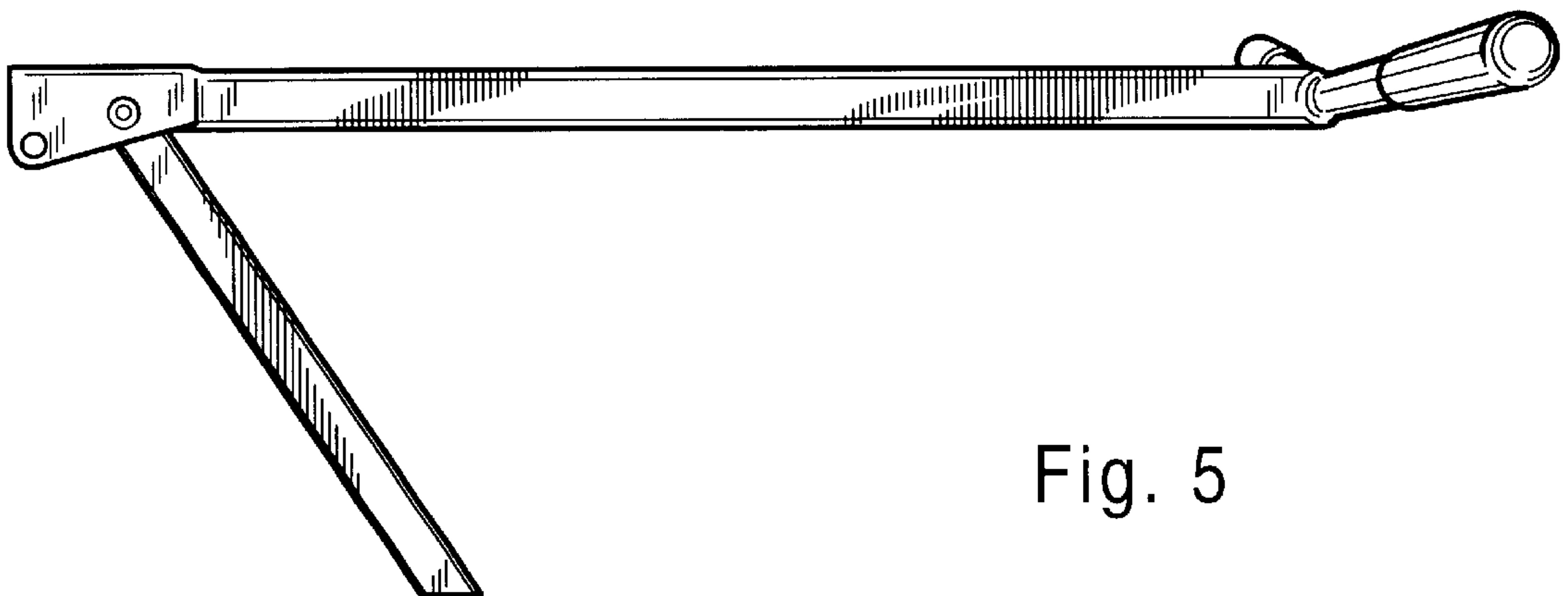


Fig. 5

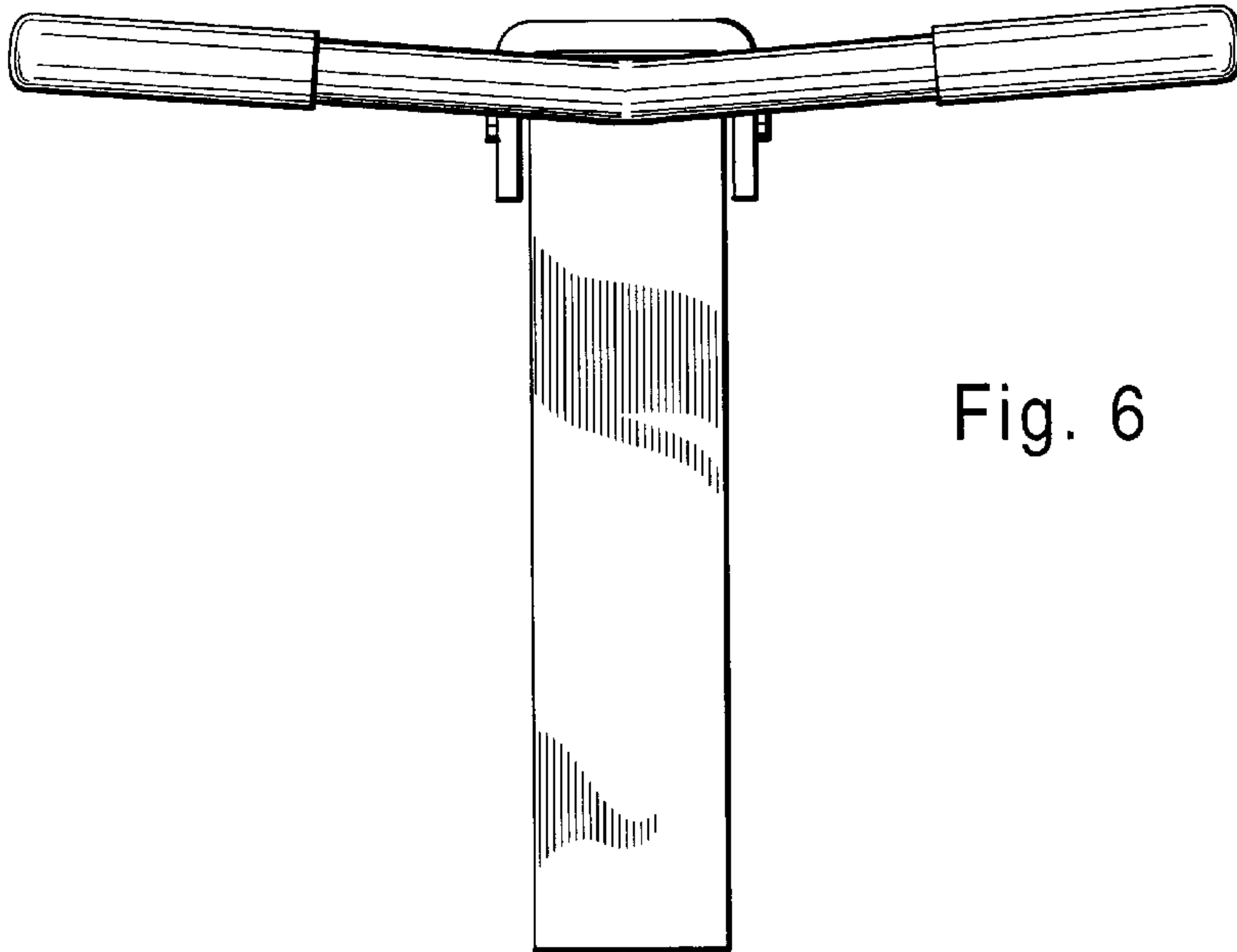


Fig. 6

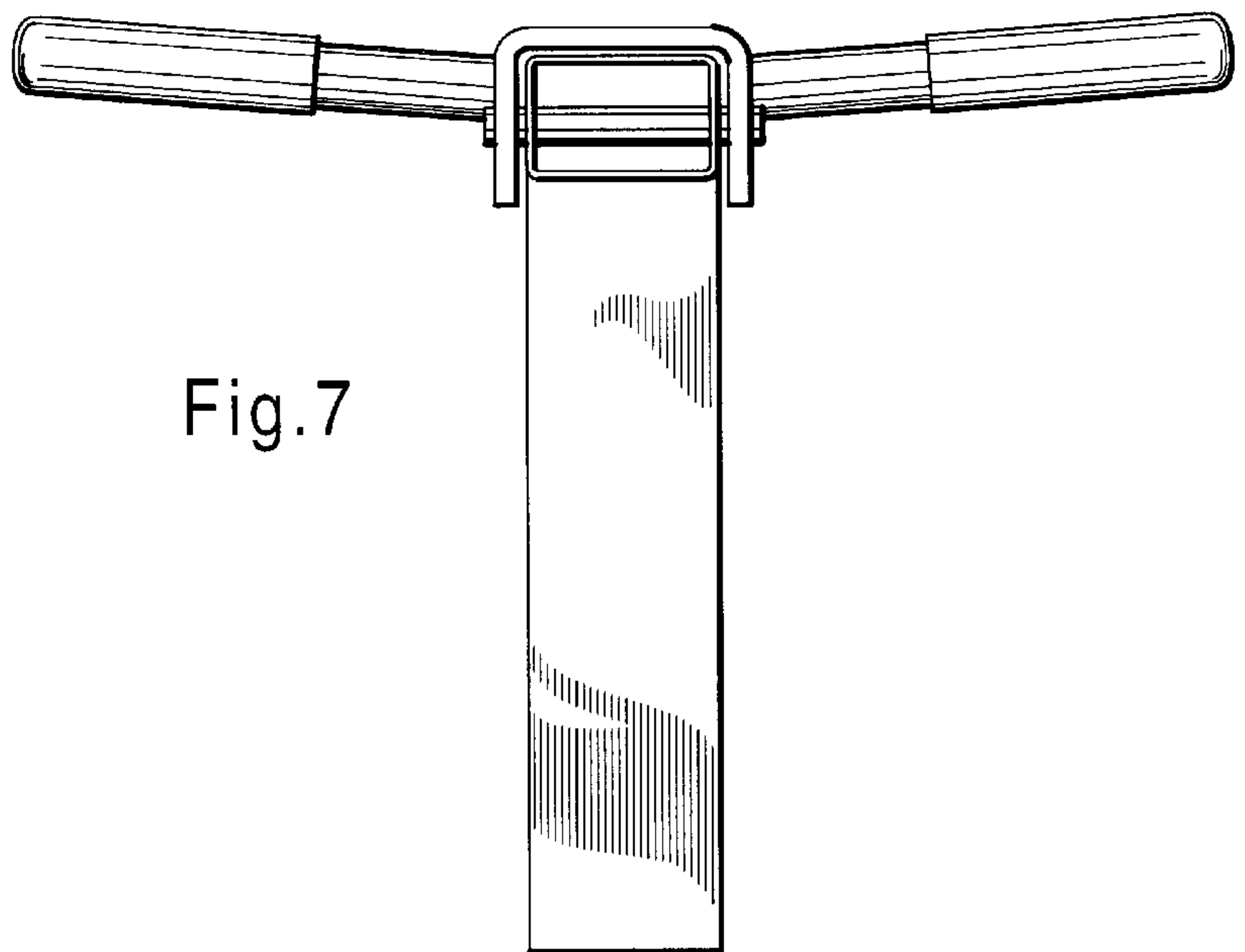


Fig. 7

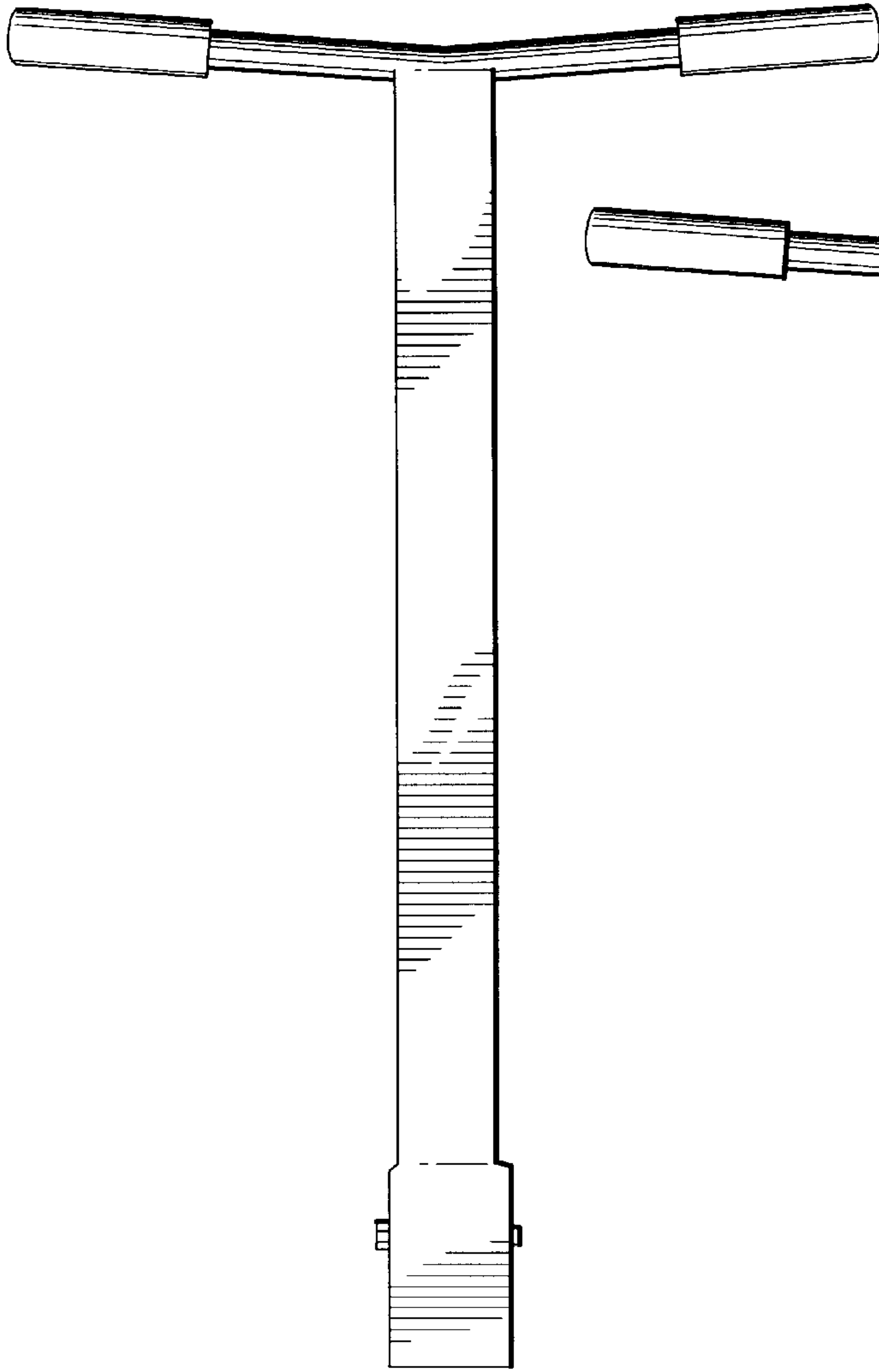


Fig. 8

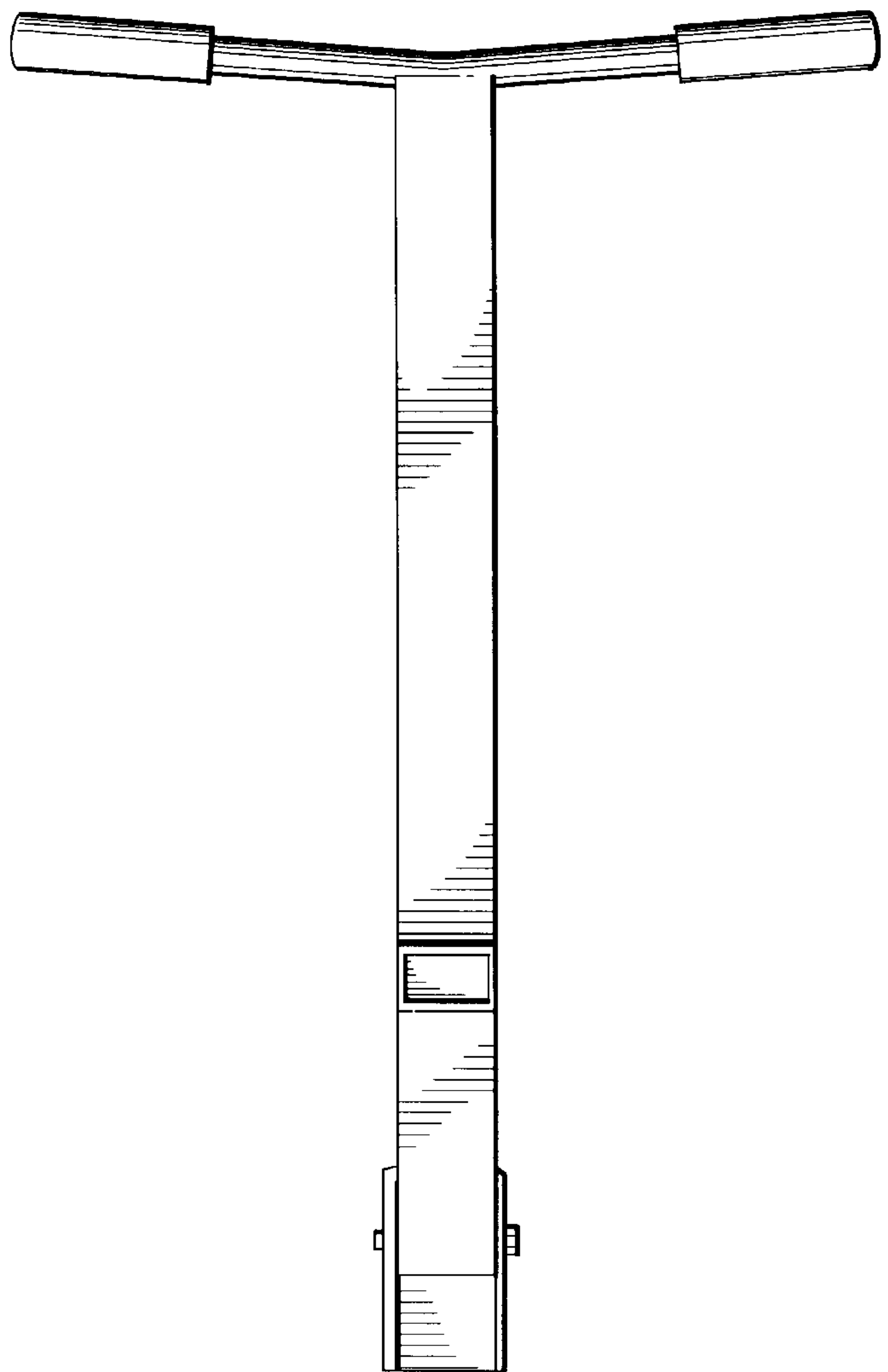


Fig. 9