



US00D451100B1

(12) **United States Design Patent**
Brillhart et al.

(10) **Patent No.:** **US D451,100 S**

(45) **Date of Patent:** **** Nov. 27, 2001**

(54) **COMPUTER KEYBOARD AND MOUSE TRAY**

D. 398,294 * 9/1998 Wilson D14/458
D. 427,165 * 6/2000 Knoblauch D14/457

(76) Inventors: **Allen Brillhart**, 2703 E. Holly Point Rd., Orange Park, FL (US) 32073;
Farrell E. Bloom, 222 Circle Dr. East, St. Augustine, FL (US) 32095

* cited by examiner

Primary Examiner—Kay H. Chin
(74) *Attorney, Agent, or Firm*—Steven R. Scott

(**) Term: **14 Years**

(57) **CLAIM**

The ornamental design for a computer keyboard and mouse tray, as shown and described.

(21) Appl. No.: **29/126,644**

(22) Filed: **Jul. 18, 2000**

DESCRIPTION

(51) **LOC (7) Cl.** **14-02**

(52) **U.S. Cl.** **D14/457; D14/458**

(58) **Field of Search** D14/432, 439,
D14/447, 448, 451, 457, 458, 459, 460;
D6/582-594, 406, 420, 509, 511, 430, 436;
D20/22; 248/118.1, 917-924; 345/156-167;
400/689-693, 715

FIG. 1 is a top perspective view of a computer keyboard and mouse tray showing our new design, the broken lines are for illustrative purposes only and form no part of the claimed design;

FIG. 2 is a top plan view thereof;

FIG. 3 is a bottom plan view thereof;

FIG. 4 is a side elevational view thereof, the opposite side view being a mirror image of that shown;

FIG. 5 is a left end elevational view thereof; and,

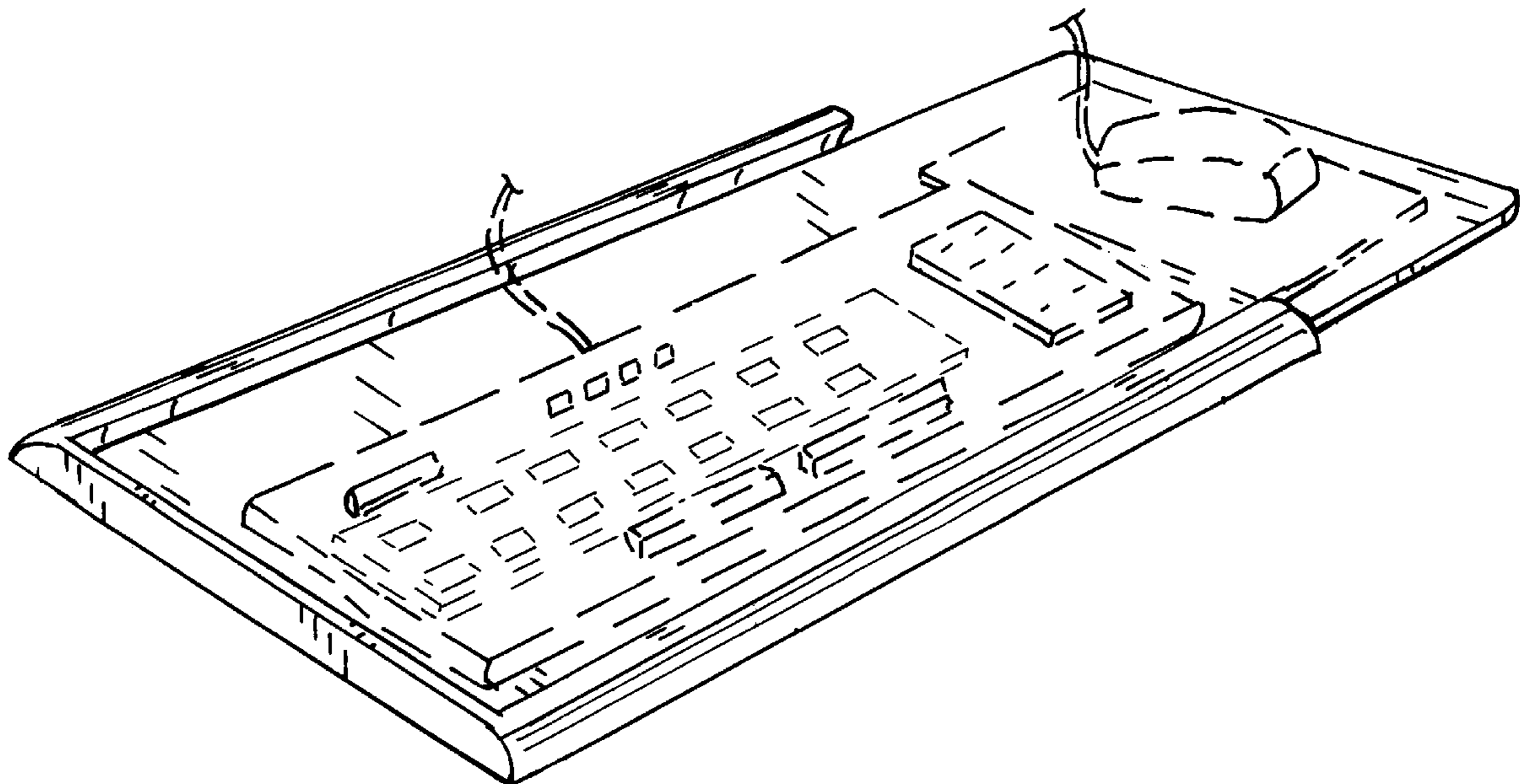
FIG. 6 is a right end elevational view thereof.

(56) **References Cited**

U.S. PATENT DOCUMENTS

D. 392,956 * 3/1998 Gillis D14/457

1 Claim, 3 Drawing Sheets



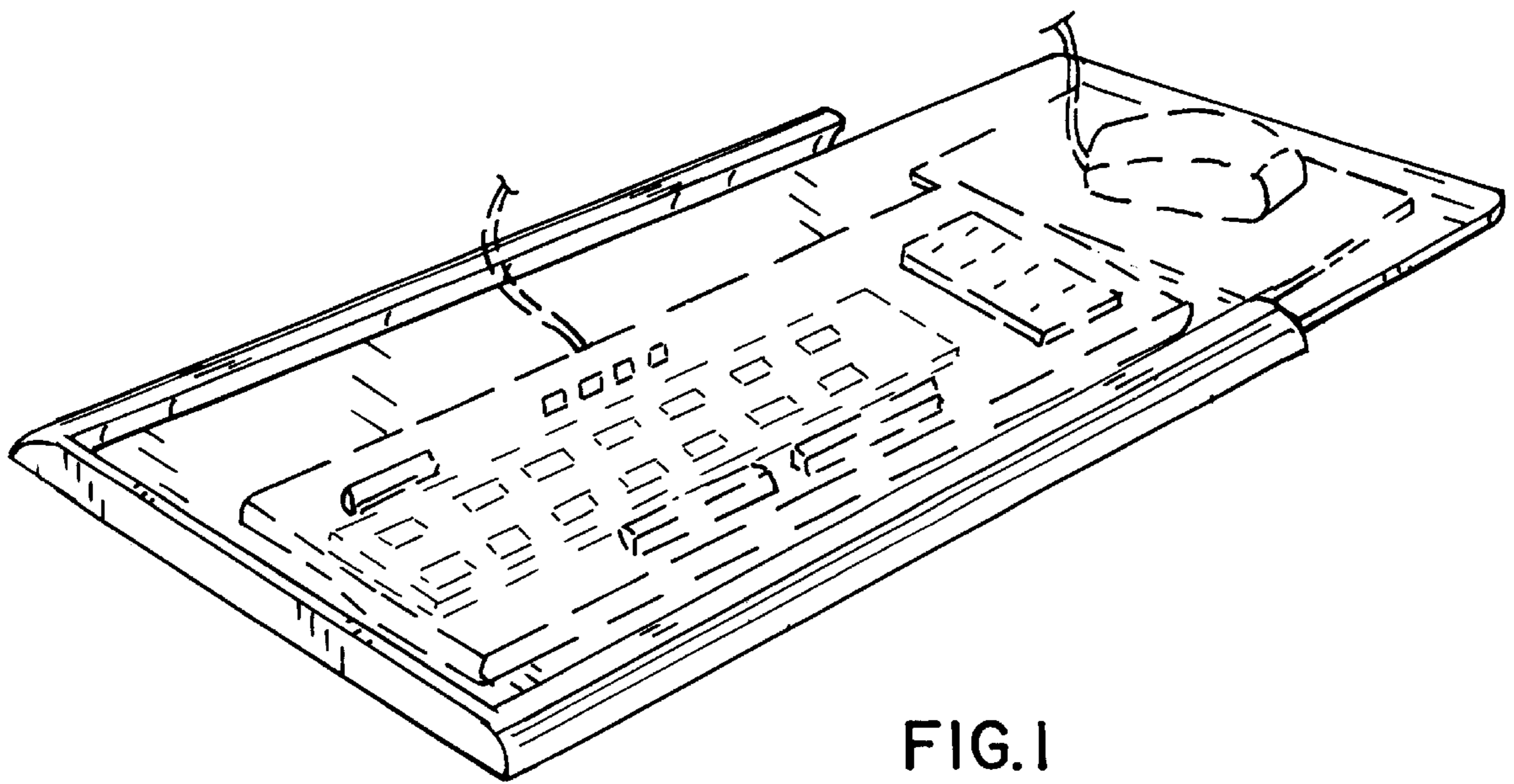


FIG. 1

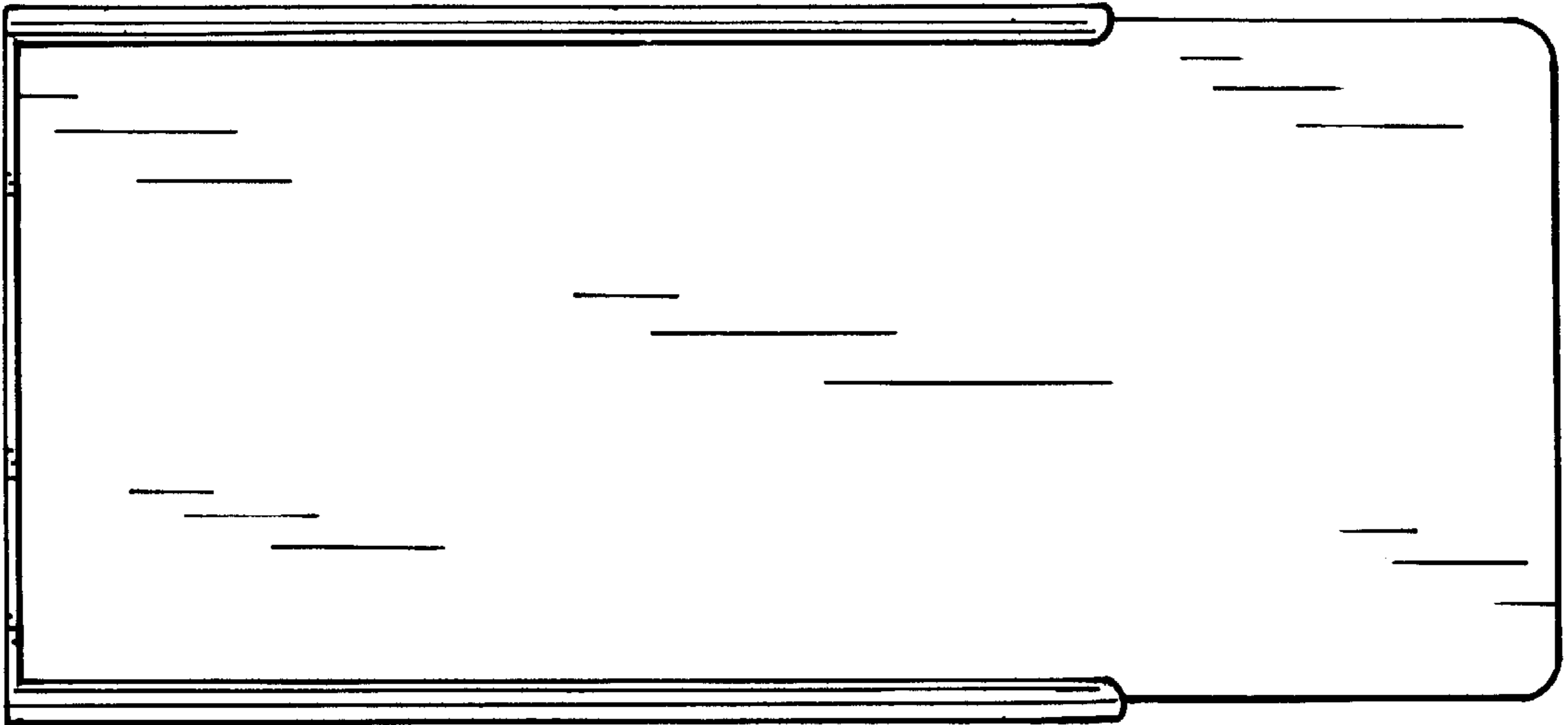


FIG. 2

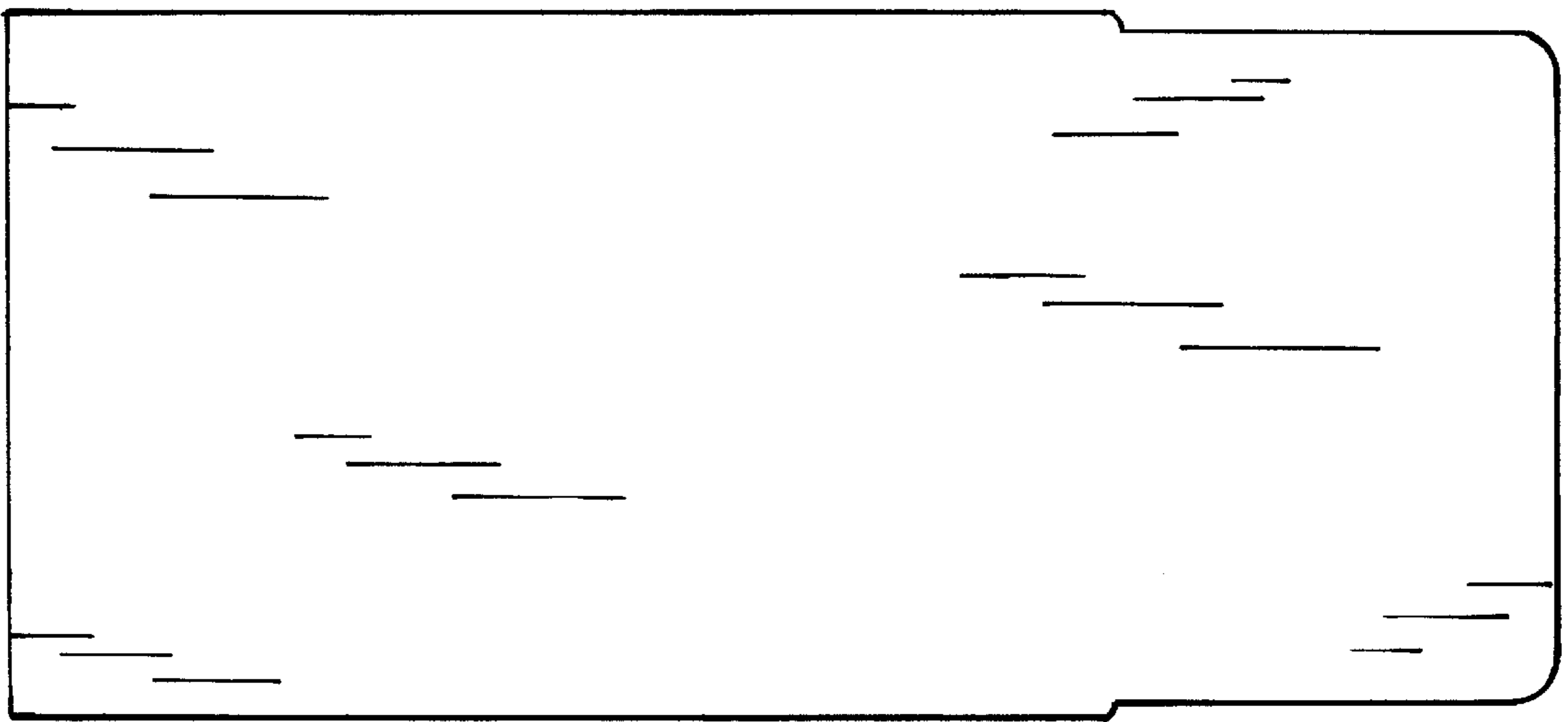


FIG. 3

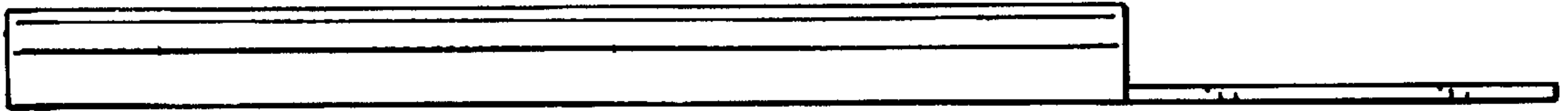


FIG. 4



FIG. 5

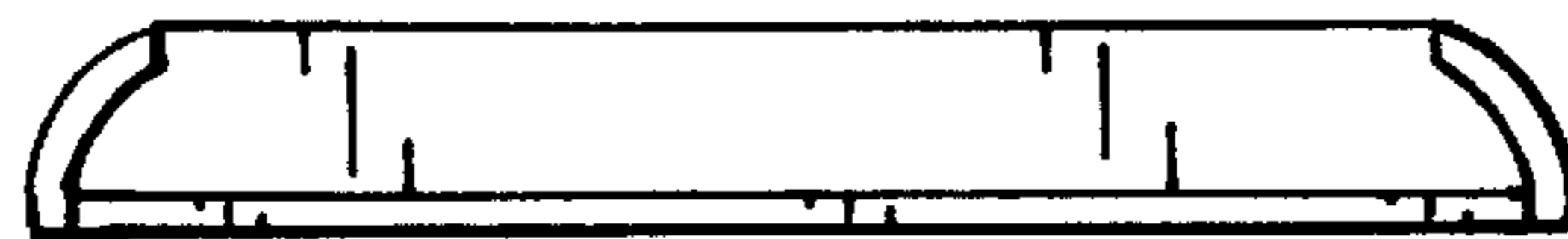


FIG. 6