



US00D451094B1

(12) **United States Design Patent**  
**Powell**

(10) **Patent No.:** **US D451,094 S**

(45) **Date of Patent:** **\*\* Nov. 27, 2001**

(54) **JACKET COVER FOR A CELLULAR PHONE**

(76) Inventor: **Andrew P. Powell**, 29 Hall Ave.,  
Somerville, MA (US) 02144

(\*\*) Term: **14 Years**

(21) Appl. No.: **29/132,892**

(22) Filed: **Nov. 17, 2000**

(51) **LOC (7) Cl.** ..... **14-03**

(52) **U.S. Cl.** ..... **D14/250**

(58) **Field of Search** ..... D14/140, 142,  
D14/240, 250, 248, 138, 147-148; 379/433,  
437, 439, 419, 420, 428, 440, 447, 455,  
449-450, 451-452; 455/90; D6/610; D3/218;  
224/181, 929; D13/119

(56) **References Cited**

**U.S. PATENT DOCUMENTS**

D. 294,827	*	3/1988	Woodfork	.....	D14/250
D. 322,719	*	12/1991	Jayez	.....	D3/218
D. 329,542	*	9/1992	Jayez	.....	D3/218
D. 338,470	*	8/1993	Clayton	.....	D14/250
D. 346,494	*	5/1994	Graham et al.	.....	D3/218
D. 348,472	*	7/1994	Cyfko	.....	D14/250
D. 366,257	*	1/1996	Fraser et al.	.....	D14/138
D. 366,258	*	1/1996	Fraser et al.	.....	D14/138
D. 368,095	*	3/1996	McCallister, III	.....	D14/218
D. 369,903	*	5/1996	Tetrault	.....	D3/218
D. 404,197	*	1/1999	Dobbins	.....	D3/230
D. 420,218	*	2/2000	Chen	.....	D3/218
D. 425,075	*	5/2000	Perry	.....	D14/250
D. 426,379	*	6/2000	Levy et al.	.....	D3/218
5,586,704	*	12/1996	Alexander et al.	.....	224/605
6,082,535	*	7/2000	Mitchell	.....	206/320
6,130,945	*	10/2000	Shin	.....	379/455
6,201,867	*	3/2001	Koike	.....	379/433

**OTHER PUBLICATIONS**

Hello Direct 1993 Summer catalog, p. 57, leather case at top right on page.\*

\* cited by examiner

*Primary Examiner*—Jeffrey Asch

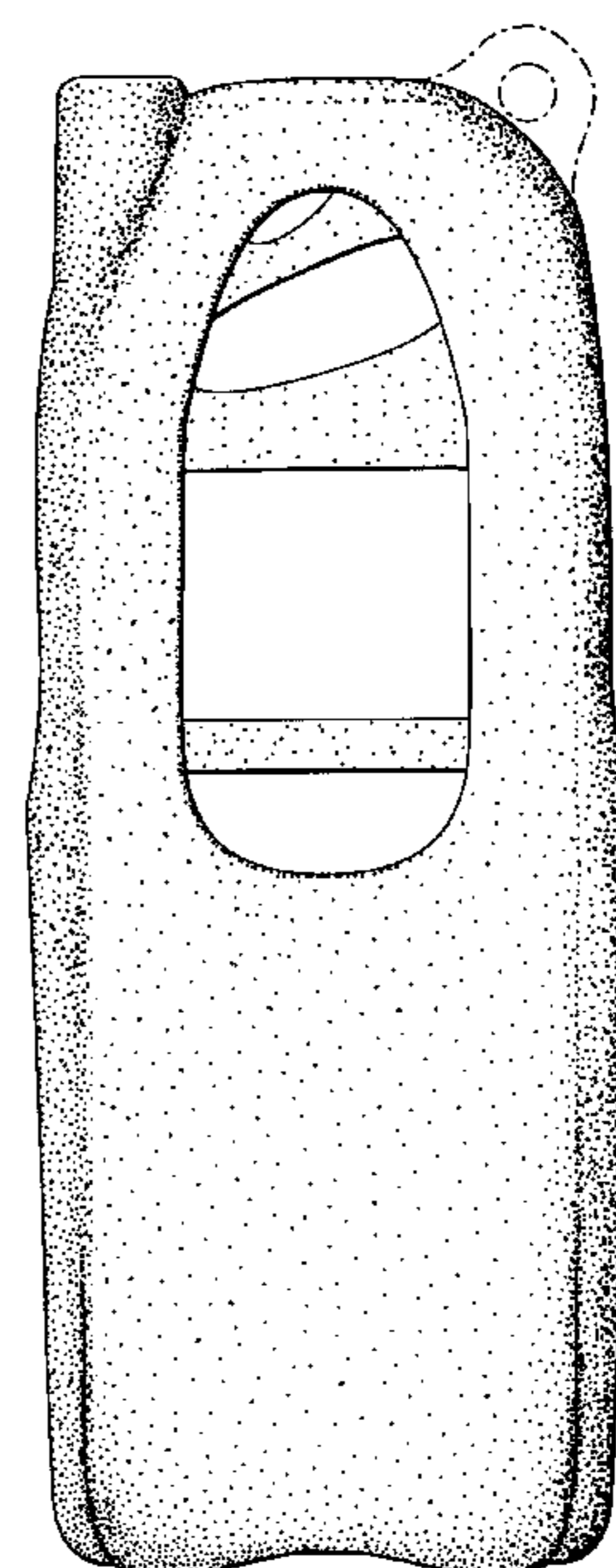
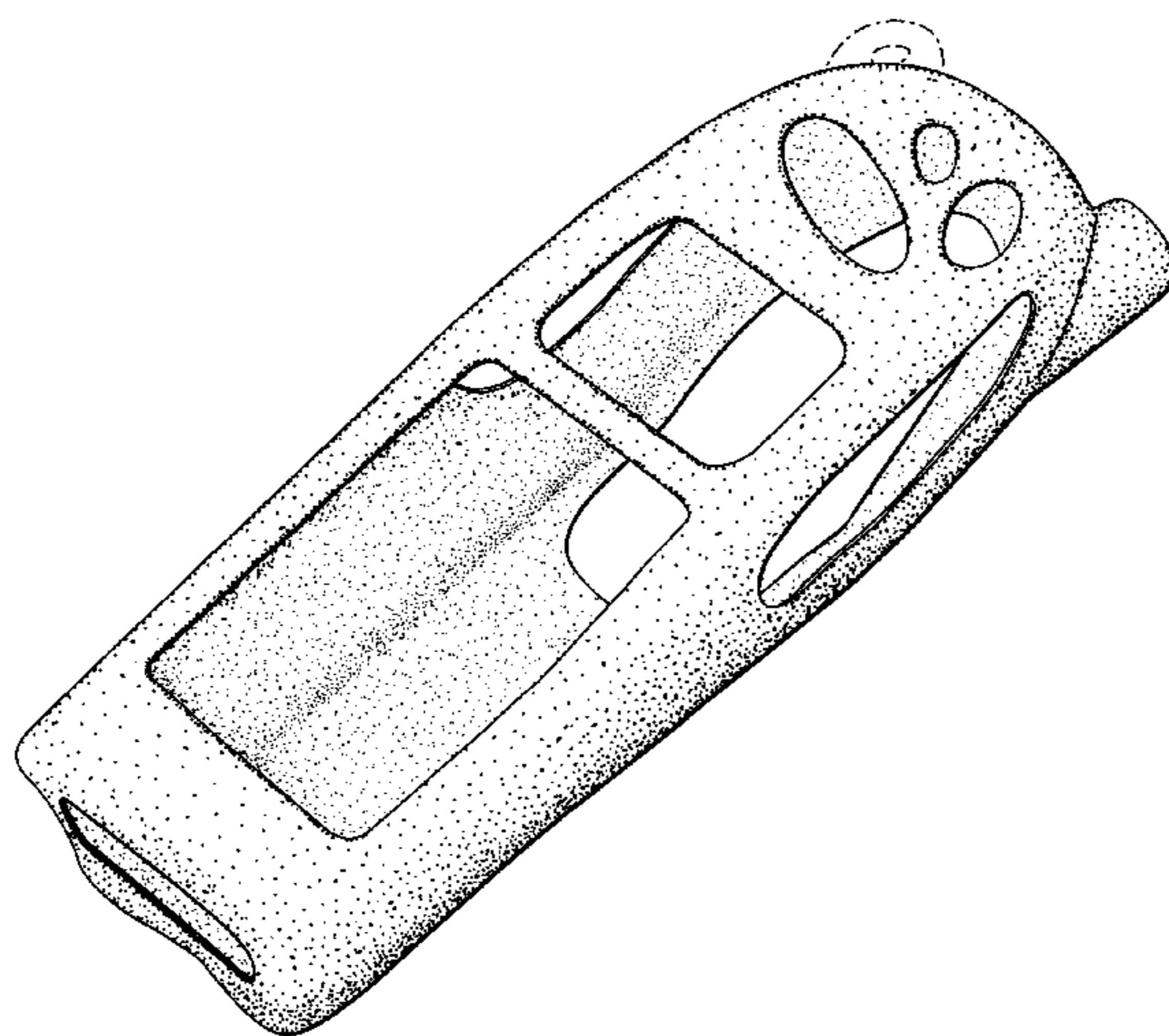
(57) **CLAIM**

I claim the ornamental design for a jacket cover for a cellular phone, as shown.

**DESCRIPTION**

FIG. 1 is a perspective view of a jacket cover for a cellular phone with a holder shown in phantom lines  
 FIG. 2 is a front view of the jacket cover for a cellular phone with a holder shown in phantom lines  
 FIG. 3 is a back view of the jacket cover for a cellular phone with a holder shown in phantom lines  
 FIG. 4 is a left side view of the jacket cover for a cellular phone with a holder shown in phantom lines  
 FIG. 5 is a side view of the right side of the jacket cover for a cellular phone with a holder shown in phantom lines  
 FIG. 6 is a top view of the jacket cover for a cellular phone with a holder shown in phantom lines  
 FIG. 7 is a bottom view of the jacket cover for a cellular phone  
 FIG. 8 is the perspective view of FIG. 1 with a cell phone therein and holder, both shown in phantom lines; and,  
 FIG. 9 is the side view of FIG. 4 with a cell phone therein and holder, both shown in phantom lines.  
 The phantom, broken line showings of the cell phone in FIGS. 8 and 9 and of the holder in FIGS. 1-6 and 8-9 are for illustrative purposes only and form no part of the claimed design.

**1 Claim, 6 Drawing Sheets**



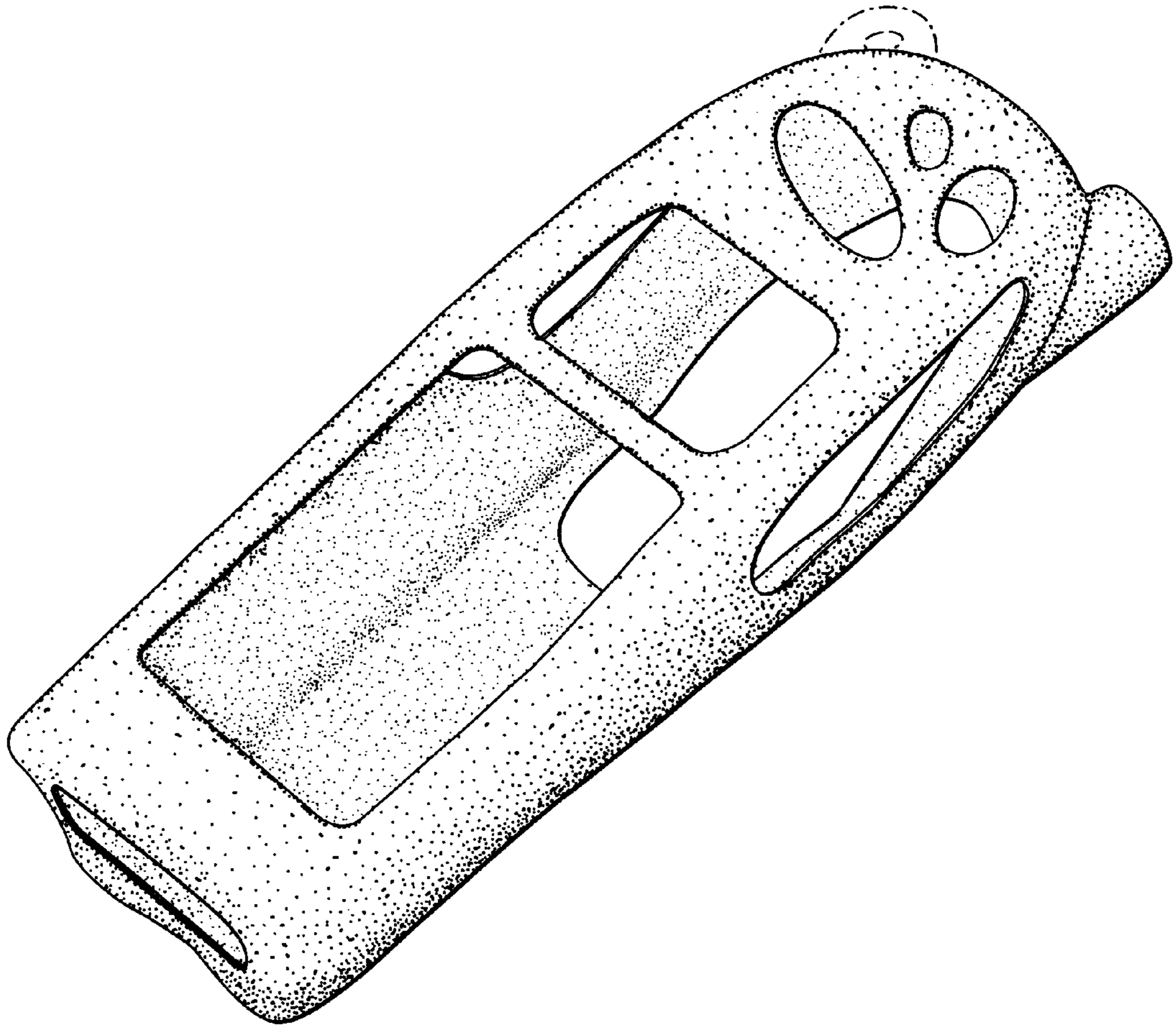


Fig. 1

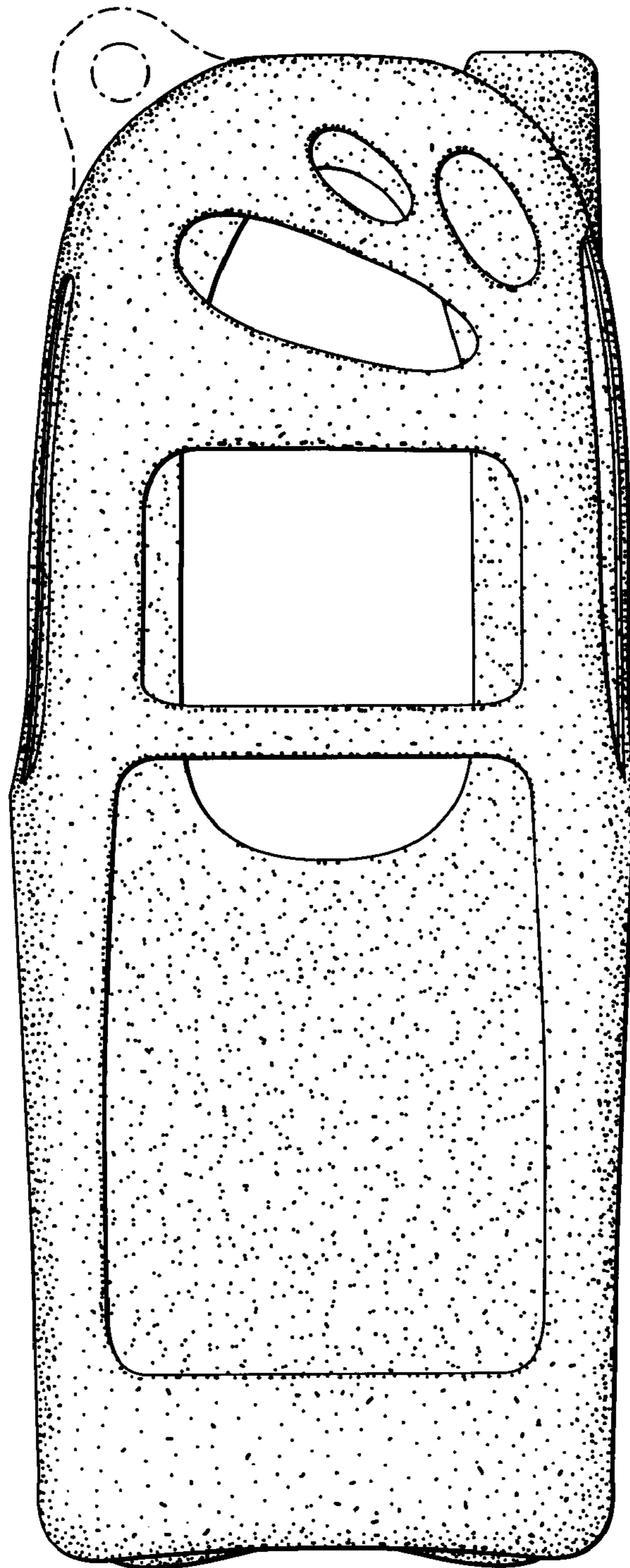


Fig. 2



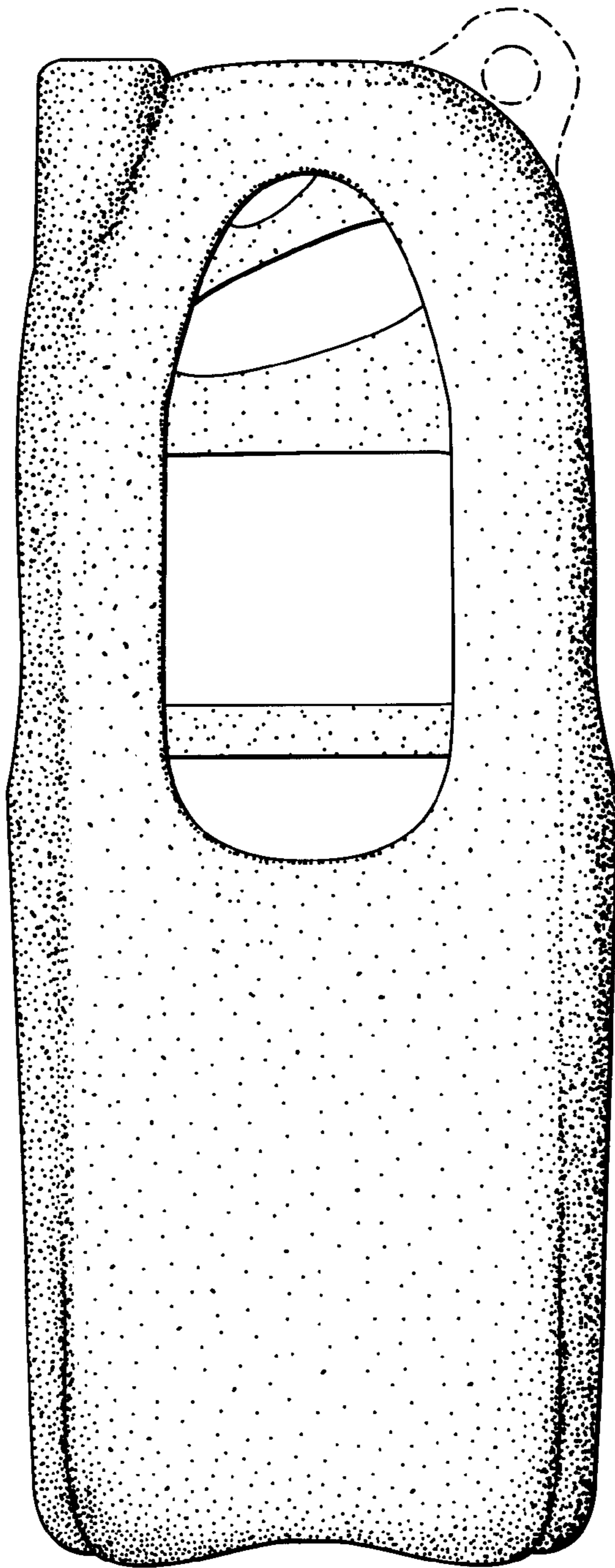


Fig. 3

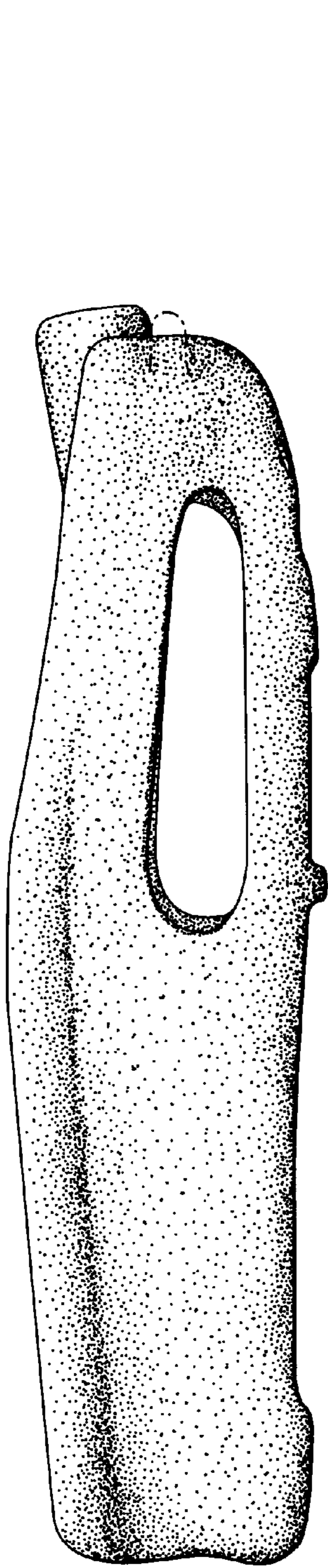


Fig. 4

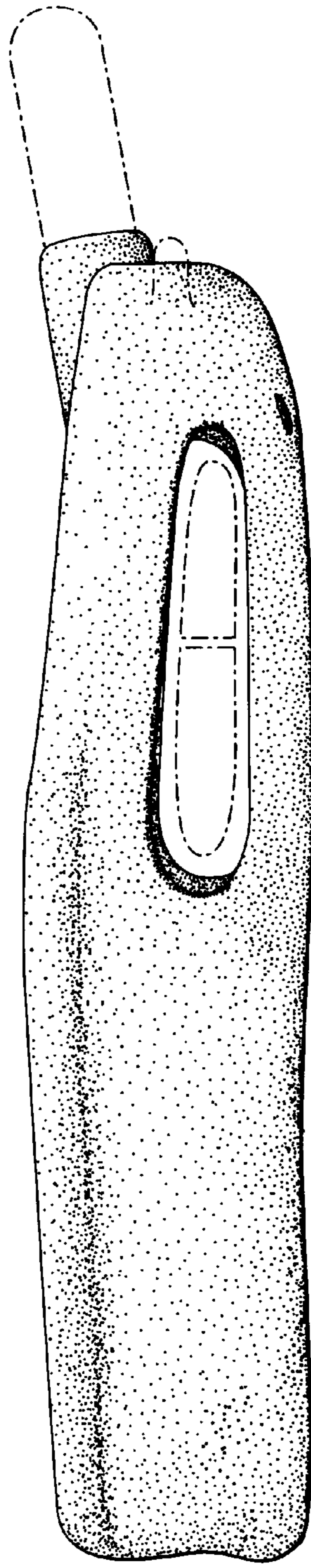


Fig. 9

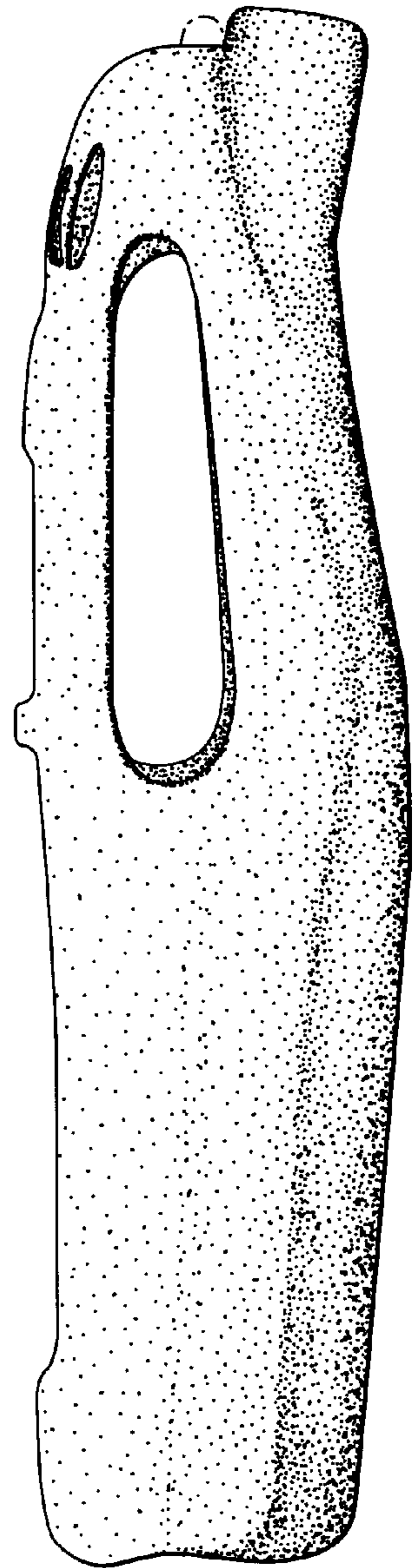


Fig. 5

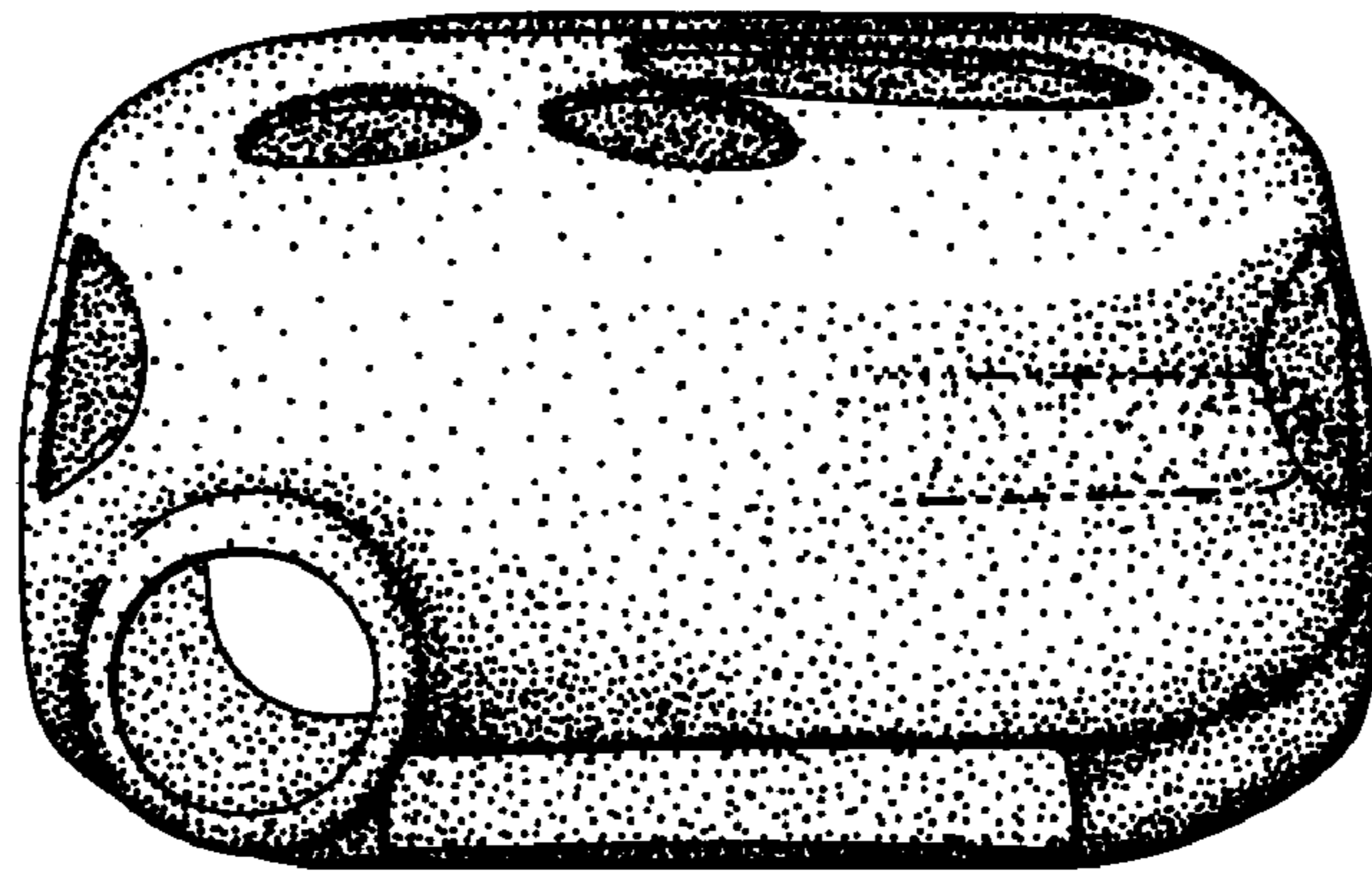


Fig. 6

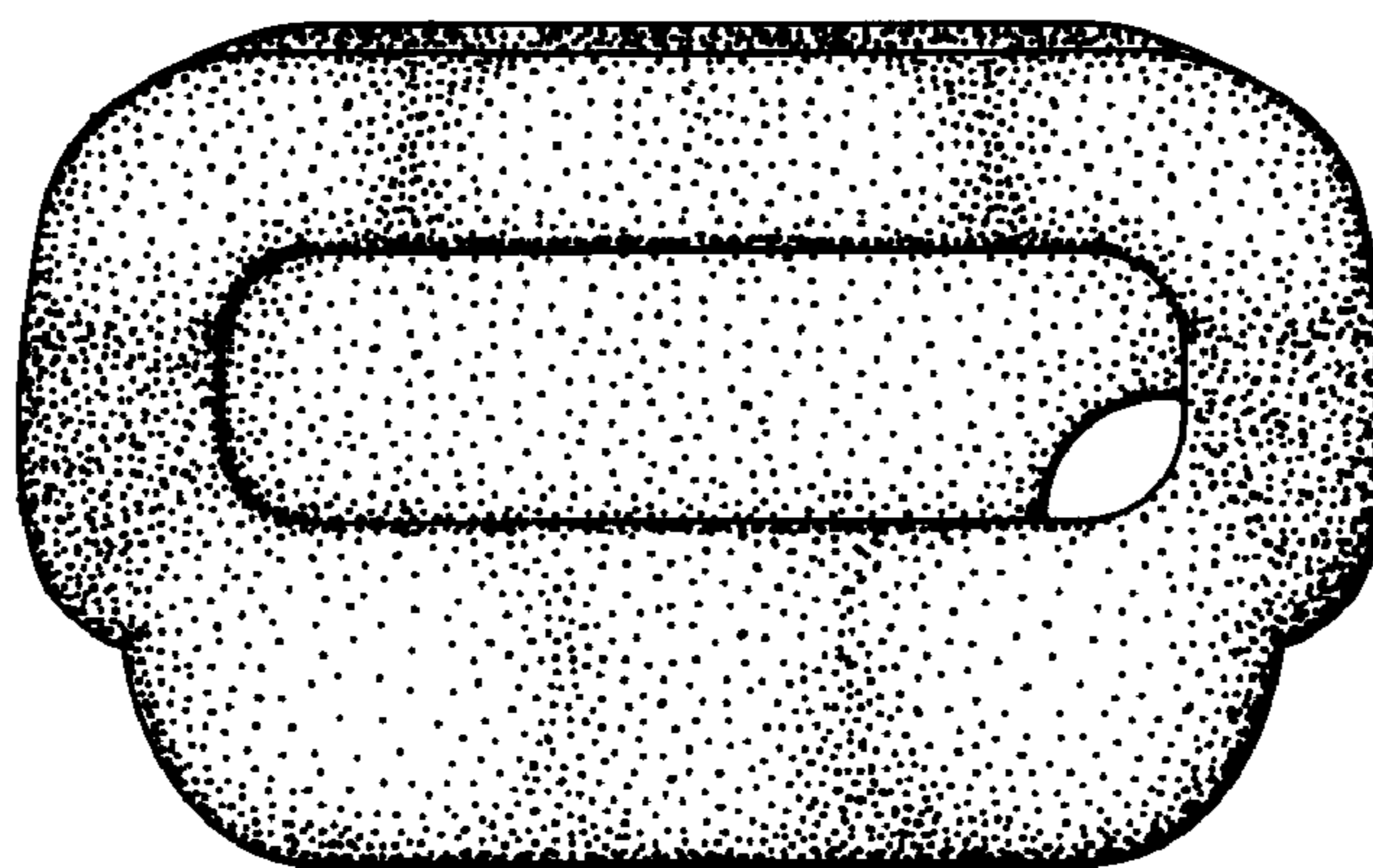


Fig. 7



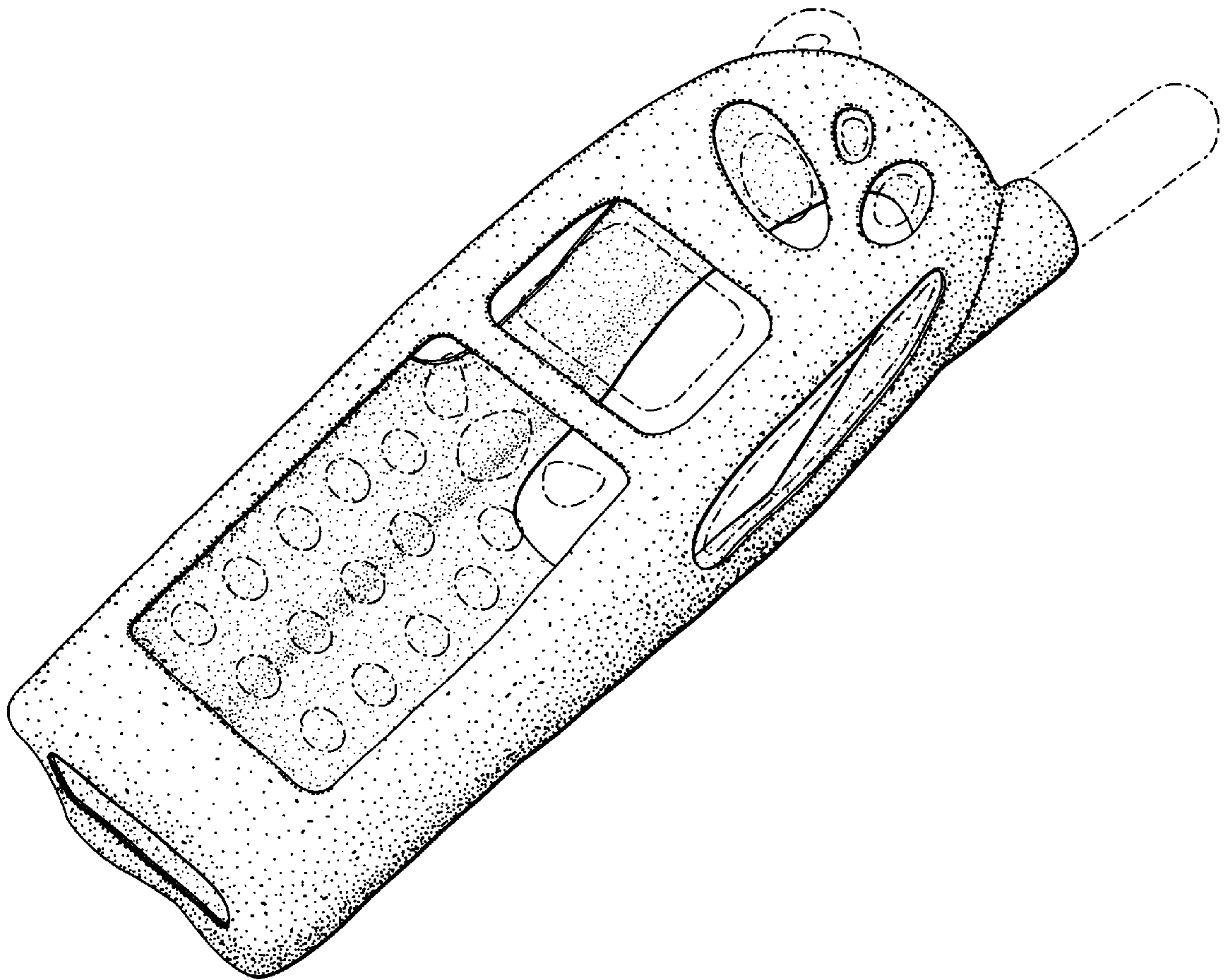


Fig. 8