



US00D451090B1

(12) **United States Design Patent**
Hirano et al.

(10) **Patent No.:** **US D451,090 S**

(45) **Date of Patent:** **** Nov. 27, 2001**

(54) **PORTION OF VIDEO TAPE RECORDER**

(75) Inventors: **Shinpei Hirano; Jun Uchiyama**, both of Tokyo (JP)

(73) Assignee: **Sony Corporation**, Tokyo (JP)

(**) Term: **14 Years**

(21) Appl. No.: **29/123,539**

(22) Filed: **May 22, 2000**

(51) **LOC (7) Cl.** **14-03**

(52) **U.S. Cl.** **D14/239; D14/135; D14/217**

(58) **Field of Search** D14/496, 125, D14/135, 136, 217, 239, 388-391, 398-401, 432, 439, 448, 454-456, 156, 157, 160-162, 188, 197, 218, 257, 258, 265, 299; D13/171, 174; 369/75.1; 386/46; 360/61, 85, 93; 200/DIG. 34, 4, 5 R, 11 R, 6 A, 296, 277.2, 339, 341

D. 416,557 * 11/1999 Matsuoka D14/168
D. 416,892 * 11/1999 Sakamoto et al. D14/136
D. 419,989 2/2000 Uchiyama D14/135
D. 423,006 * 4/2000 Matsuoka D14/168
4,246,452 * 1/1981 Chandler 200/6 A X

OTHER PUBLICATIONS

“90”, pp. 28, 29 & 336, Sony, Nov. 1998.
“Victor • JVC Produce Your Imagination”, p. 8, JVC, Oct. 1999.
“93”, p. 29, Sony, Nov. 1999.

* cited by examiner

Primary Examiner—Adir Aronovich

Assistant Examiner—C Tuttle

(74) *Attorney, Agent, or Firm*—Rader, Fishman & Grauer, PLLC

(57) **CLAIM**

The ornamental design for a portion of video tape recorder, as shown and described.

(56) **References Cited**

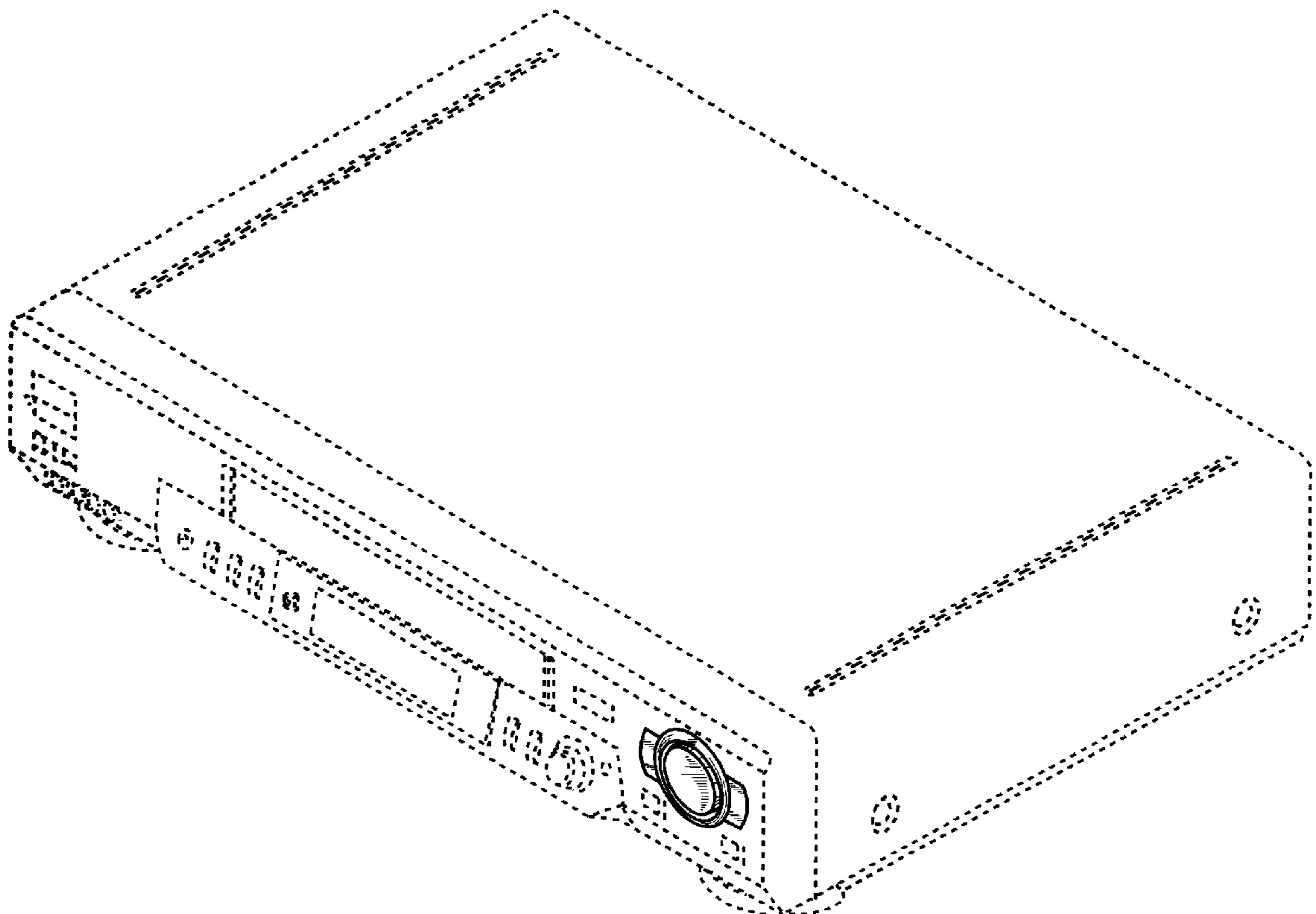
U.S. PATENT DOCUMENTS

D. 111,517 * 9/1938 Leishman D14/257
D. 197,278 * 1/1964 Stevenson D13/171
D. 381,634 * 7/1997 Yanku D13/168
D. 393,628 * 4/1998 Ledbetter et al. D13/168
D. 408,821 * 4/1999 Takahashi D14/218
D. 412,905 8/1999 Miyazaki et al. D14/156
D. 414,182 9/1999 Miyazaki D14/156
D. 415,491 10/1999 Yano et al. D14/168

DESCRIPTION

FIG. 1 is a perspective view of a portion of a video tape recorder showing our design;
FIG. 2 is a top plan view thereof;
FIG. 3 is a bottom plan view thereof;
FIG. 4 is a left side elevational view thereof;
FIG. 5 is a right side elevational view thereof; and,
FIG. 6 is a front elevational view thereof.

1 Claim, 4 Drawing Sheets



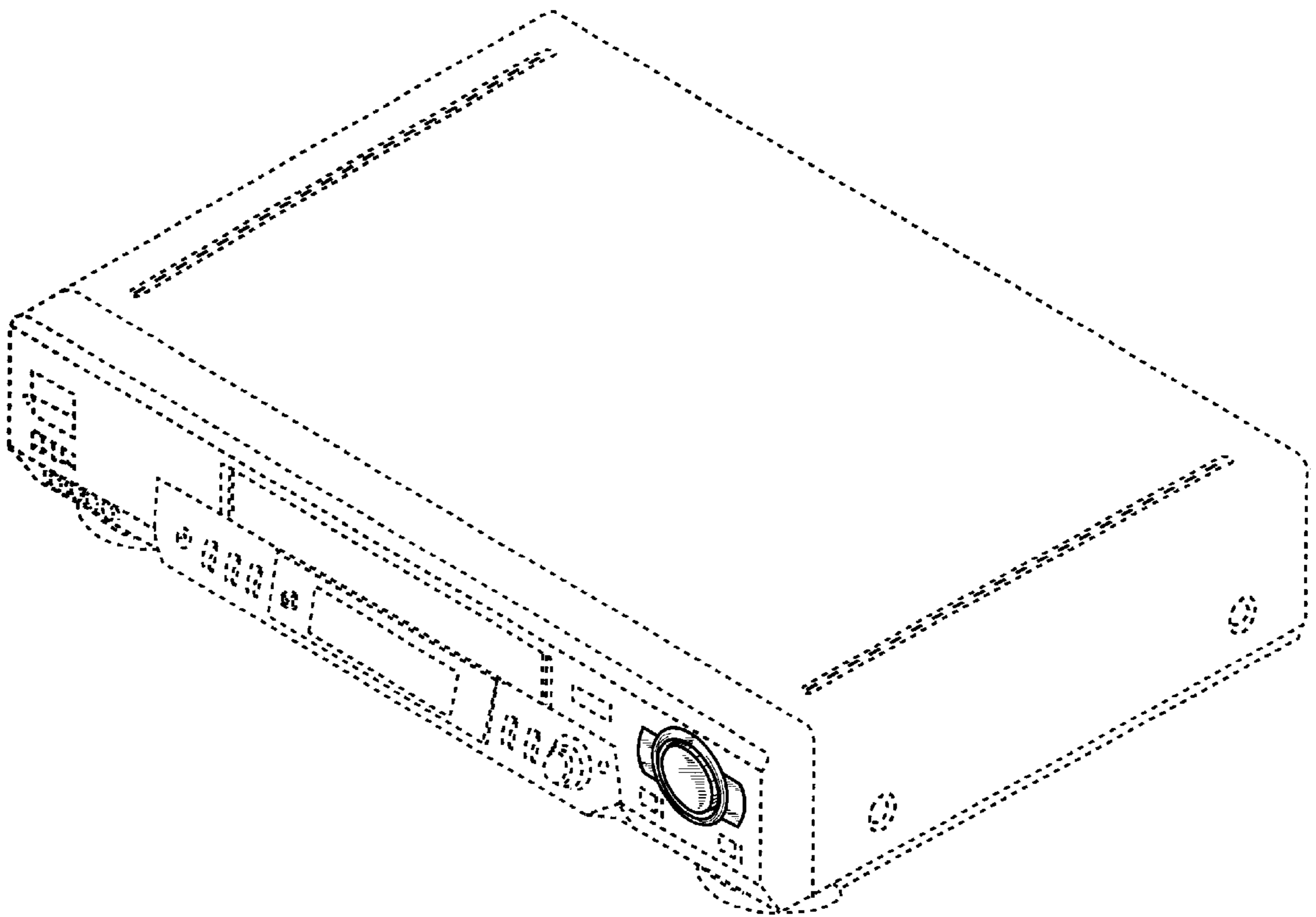


Fig. 1

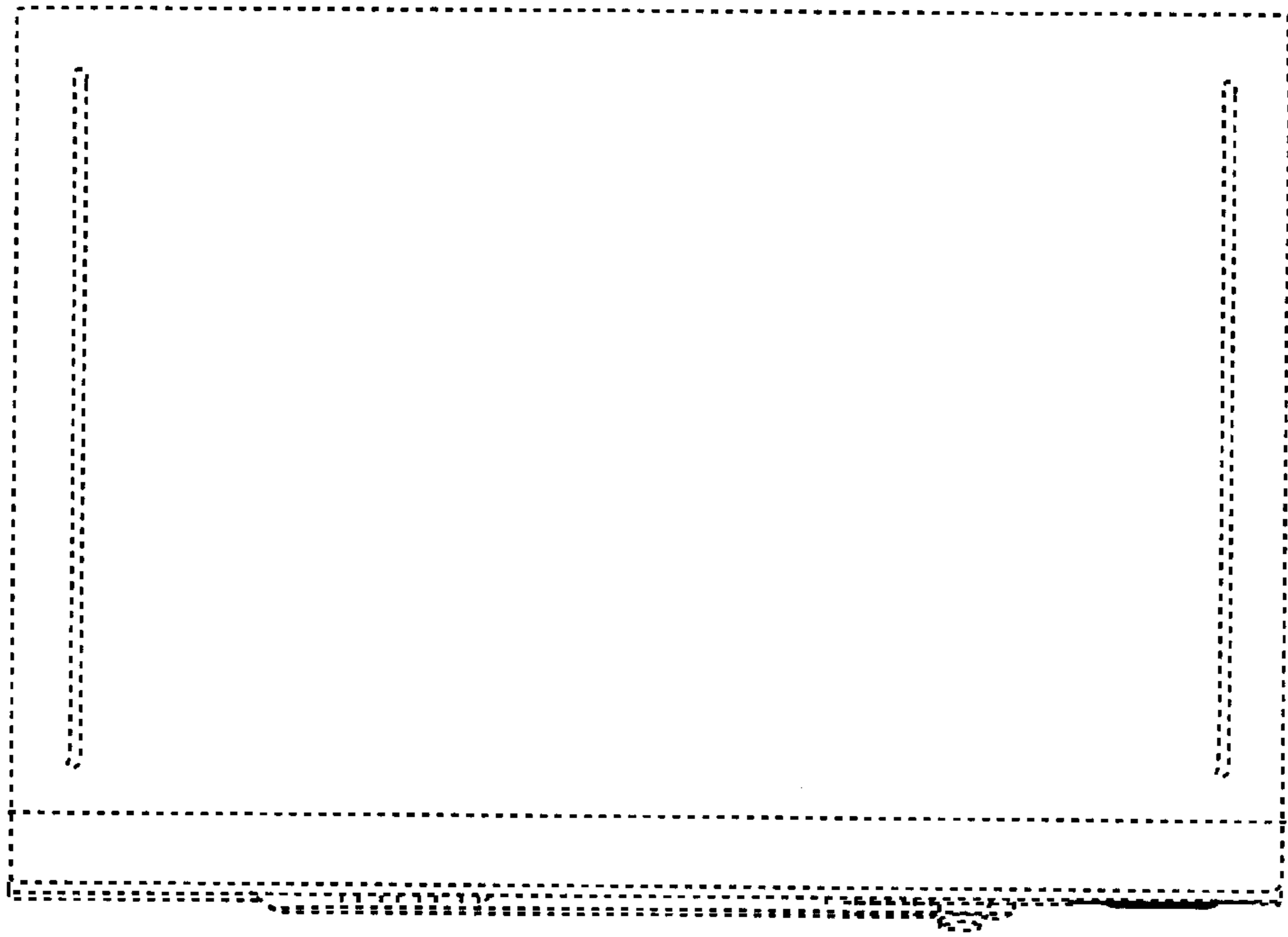


Fig. 2

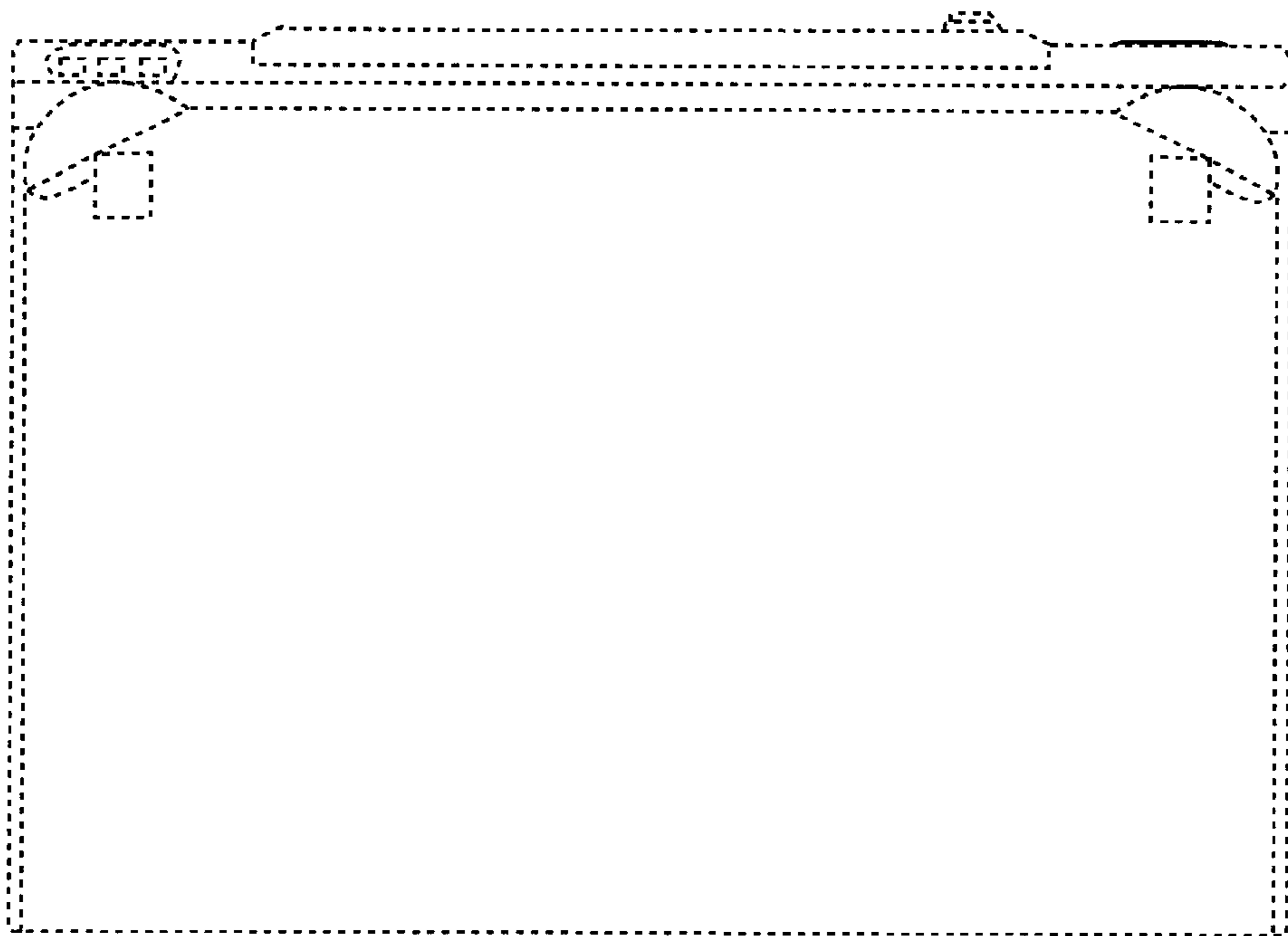


Fig. 3

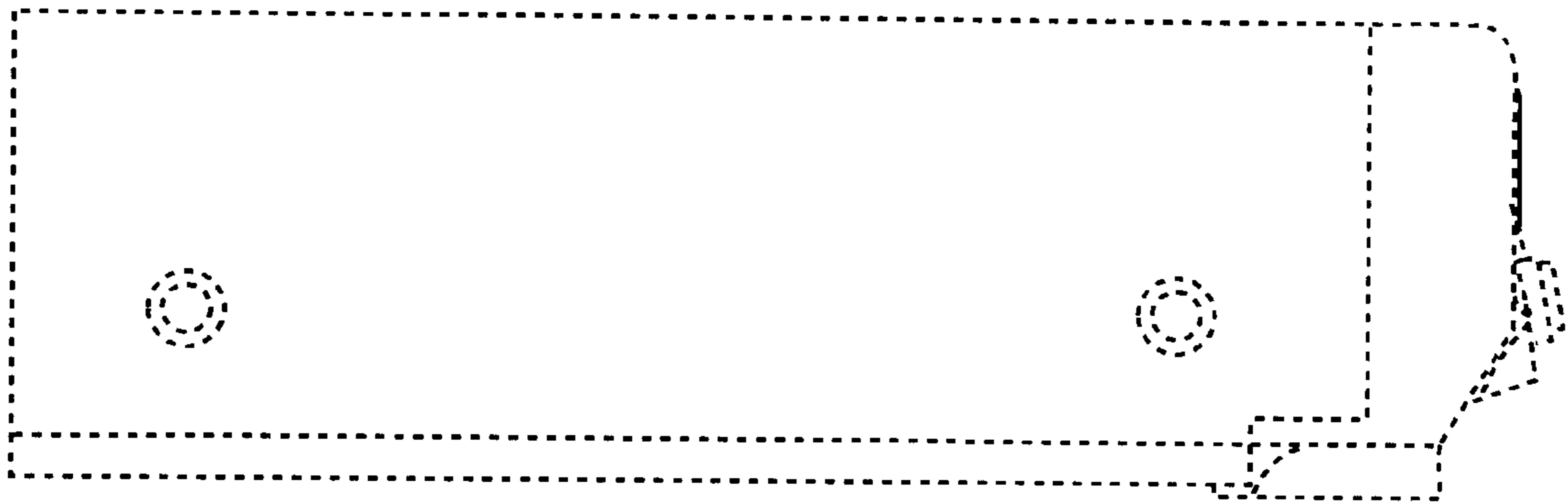


Fig. 4



Fig. 5

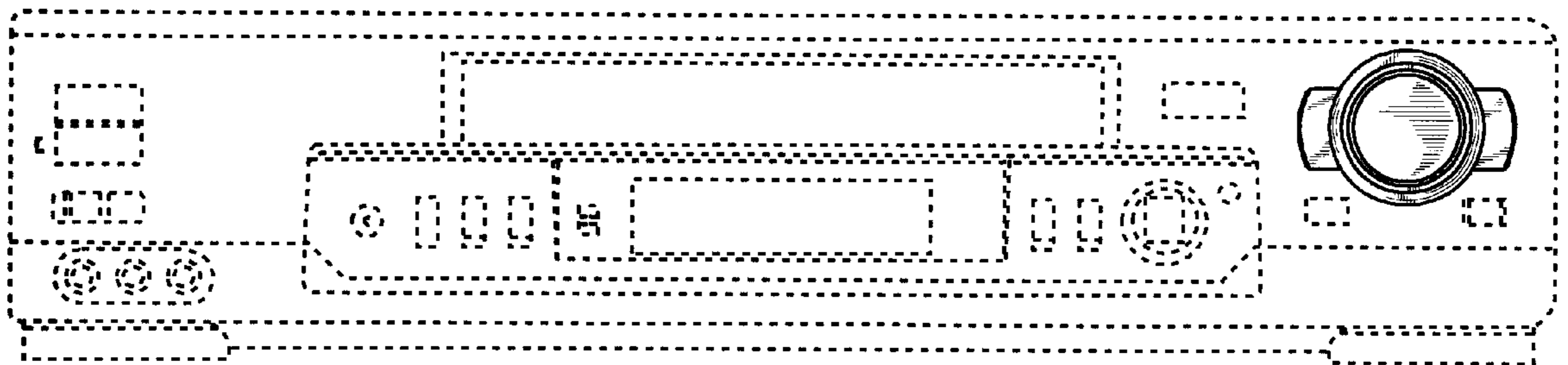


Fig. 6