



US00D451087B1

(12) **United States Design Patent**
Moro et al.

(10) **Patent No.:** **US D451,087 S**

(45) **Date of Patent:** **** Nov. 27, 2001**

(54) **SPEAKER HOUSING**

D. 419,561 * 1/2000 Haase et al. D14/216
4,252,211 * 2/1981 Matsuda et al. 181/173 X

(75) Inventors: **Jerry Moro**, Moorpark; **Adam Wade**,
Rancho Santa Margarita; **Tim Nugent**,
Venice, all of CA (US)

* cited by examiner

Primary Examiner—Nanda Bondade

(73) Assignee: **Harman International Industries,
Inc.**, Northridge, CA (US)

(74) *Attorney, Agent, or Firm*—Squire, Sanders, &
Dempsey LLP.; Sung I. Oh

(**) Term: **14 Years**

(57) **CLAIM**

(21) Appl. No.: **29/130,180**

The ornamental design for a speaker housing, as shown and
described.

(22) Filed: **Sep. 28, 2000**

DESCRIPTION

(51) **LOC (7) Cl.** **14-01**

FIG. 1 is a rear perspective view of a speaker housing
showing my new design;

(52) **U.S. Cl.** **D14/221**

FIG. 2 is a side elevational view thereof, and the opposite
side elevational view being the mirror image thereof;

(58) **Field of Search** D14/204, 207,

D14/215, 216, 221, 222, 224; 181/141,

144, 148, 150–155, 157, 199; 381/300–302,

386, 332–336, 430–433

FIG. 3 is a top plan view thereof, and the bottom plan view
being the mirror image thereof;

FIG. 4 is a front view thereof; and,

FIG. 5 is a rear view thereof.

(56) **References Cited**

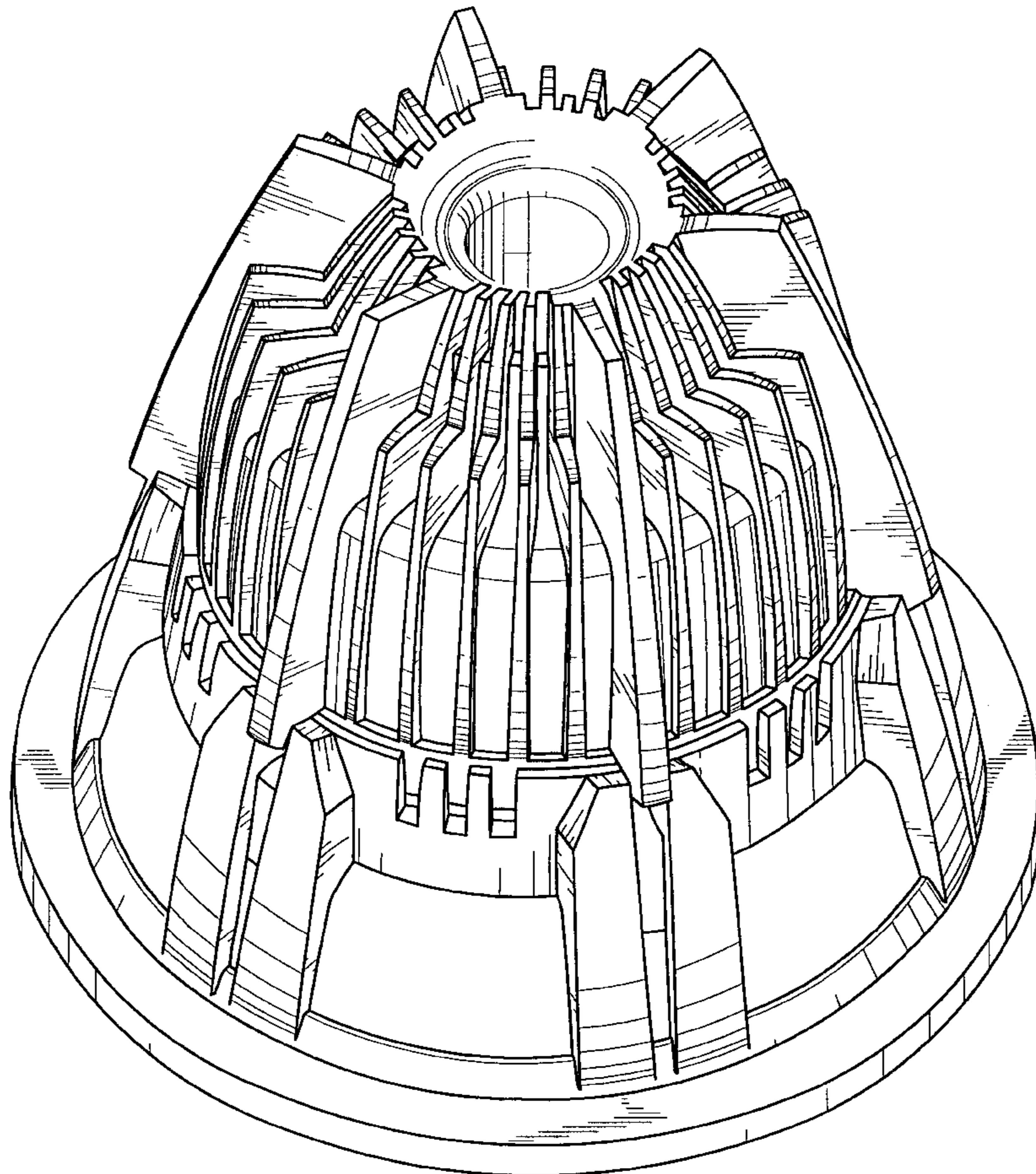
The broken line showing on FIGS. 2–3 is for illustrative
purposes only and forms no part of the claimed design.

U.S. PATENT DOCUMENTS

D. 282,163 * 1/1986 Seebinger D14/222

D. 400,884 * 11/1998 Christie, II D14/216

1 Claim, 3 Drawing Sheets



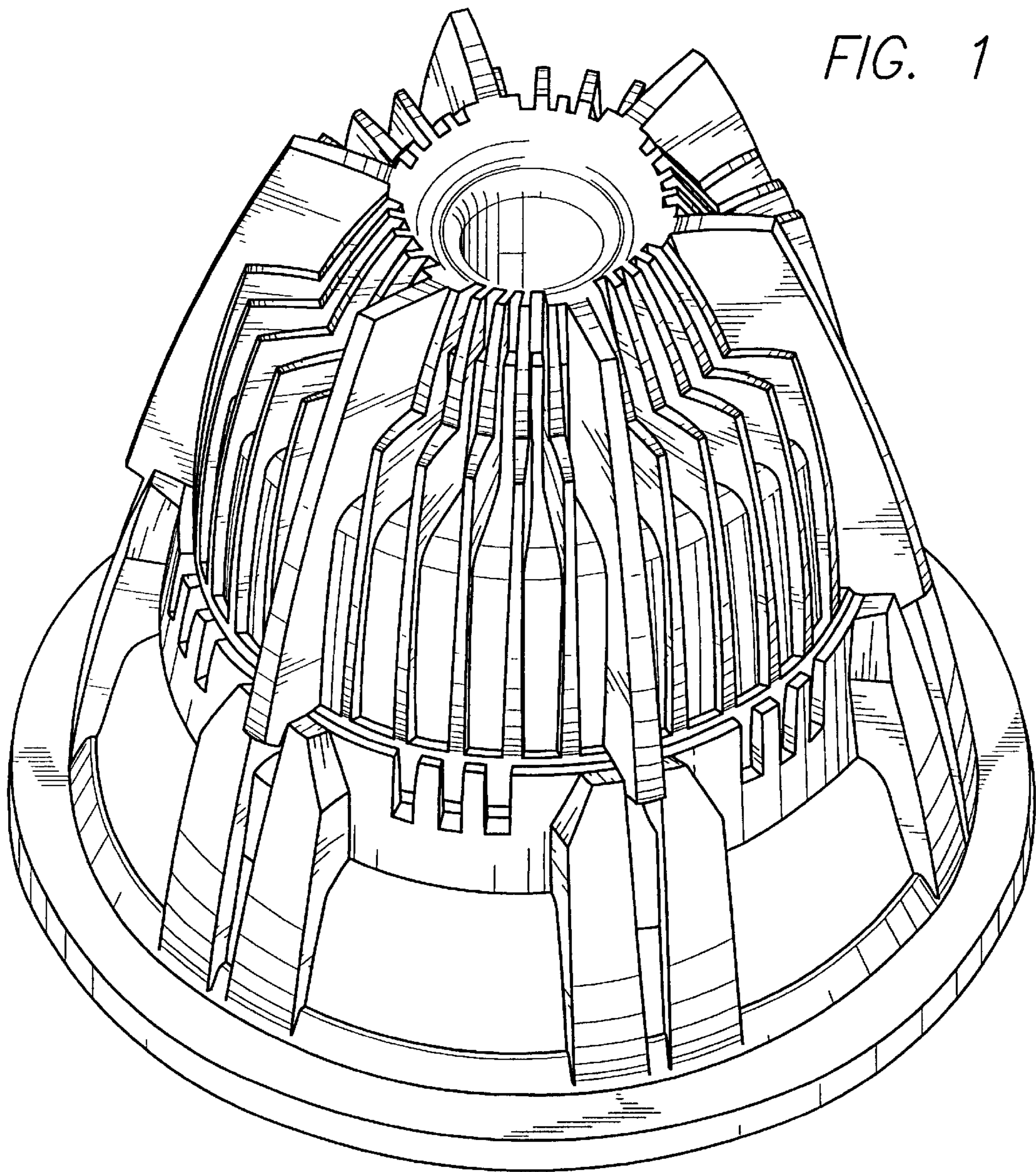


FIG. 1

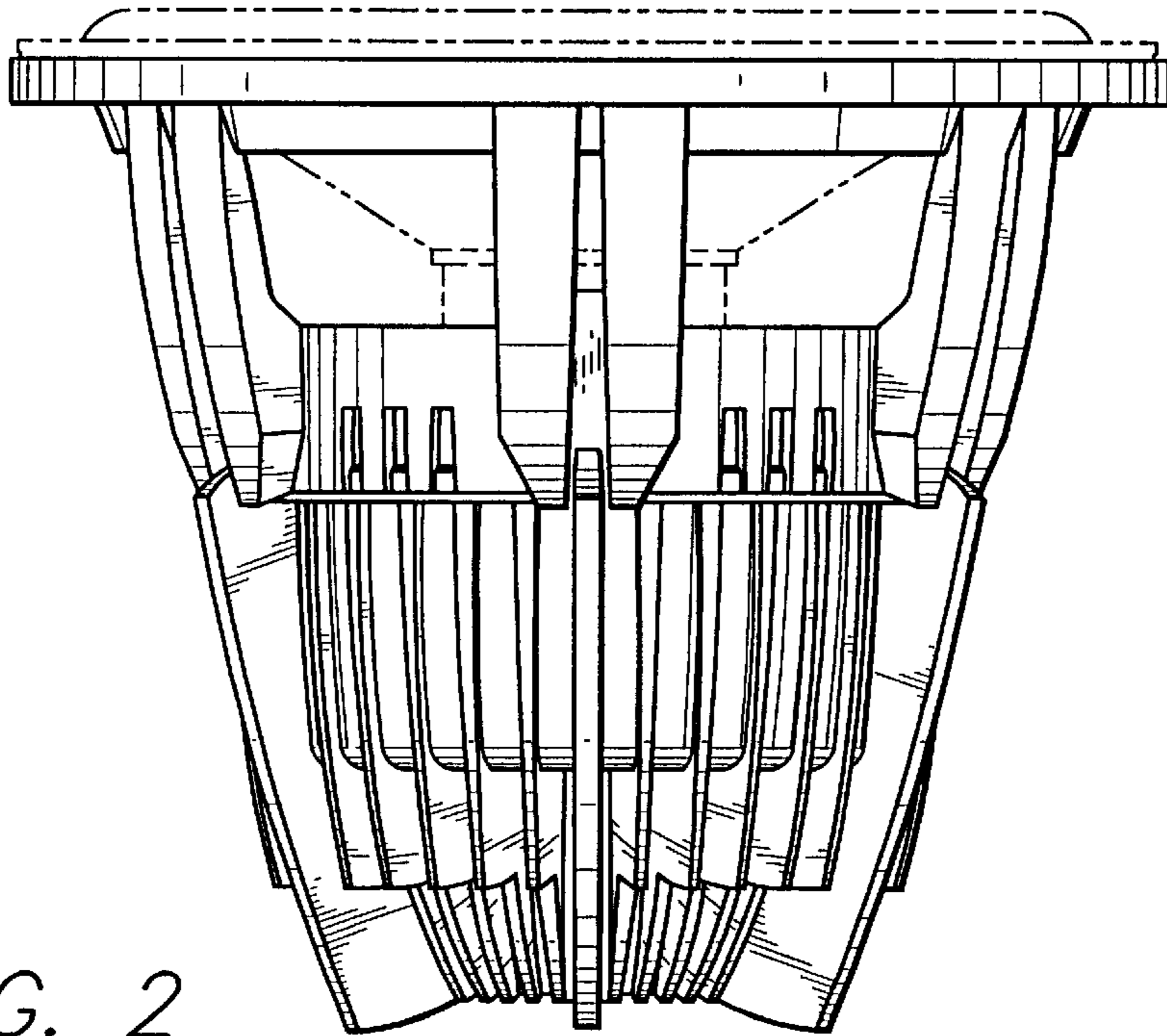


FIG. 2

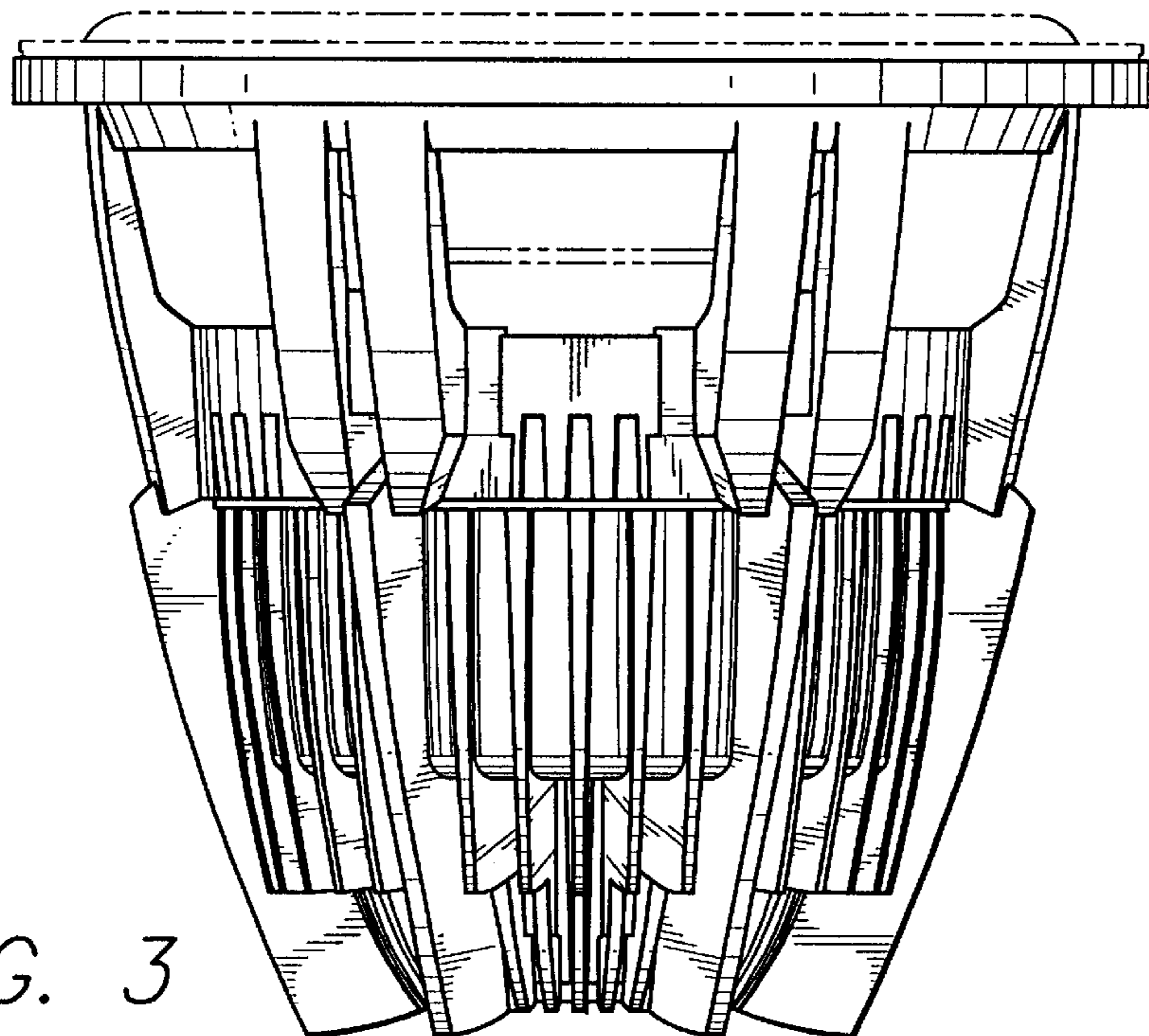


FIG. 3

FIG. 4

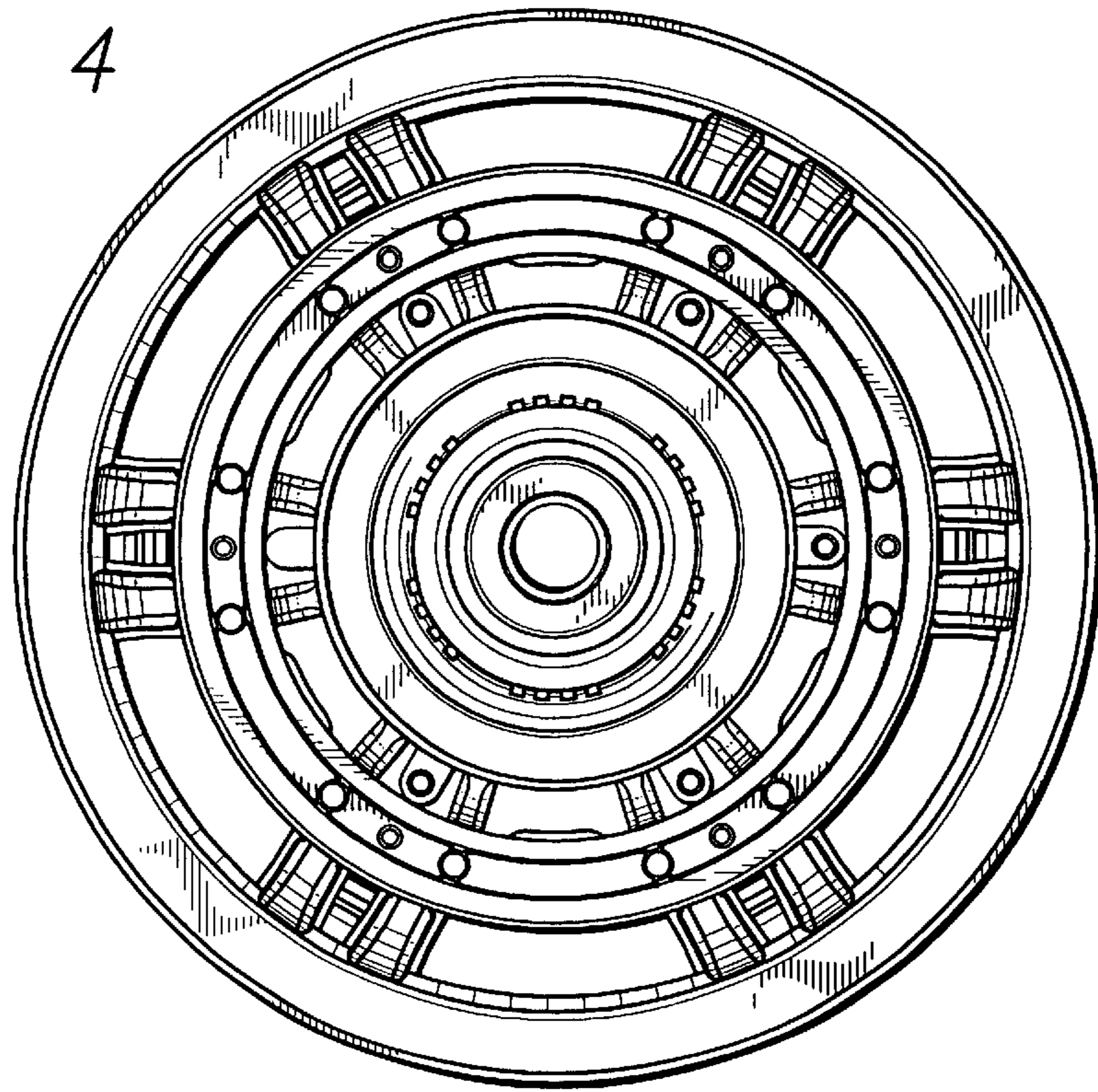


FIG. 5

