



US00D451080B1

(12) **United States Design Patent**  
**Kataoka**

(10) **Patent No.:** **US D451,080 S**

(45) **Date of Patent:** **\*\* Nov. 27, 2001**

(54) **DISC PLAYER**

5,642,344 \* 6/1997 Yamada ..... 369/77.2

(75) Inventor: **Tetsu Kataoka**, Tokyo (JP)

(73) Assignee: **Sony Corporation**, Tokyo (JP)

(\*\*) Term: **14 Years**

(21) Appl. No.: **29/131,697**

(22) Filed: **Oct. 27, 2000**

(51) **LOC (7) Cl.** ..... **14-01**

(52) **U.S. Cl.** ..... **D14/156**

(58) **Field of Search** ..... D14/135, 136,  
D14/156, 157, 162; 369/75.1, 75.2, 77.1,  
77.2

(56) **References Cited**

**U.S. PATENT DOCUMENTS**

D. 405,788	*	2/1999	Renk	.....	D14/156
D. 415,757	*	10/1999	Takahashi et al.	.....	D14/156
D. 416,897	*	11/1999	Ishii et al.	.....	D14/156
D. 425,889		5/2000	Yuyama	.....	D14/156
D. 431,544	*	10/2000	Kobayashi	.....	D14/135
D. 432,514		10/2000	Nakamura	.....	D14/156
D. 433,672		11/2000	Kobayashi	.....	D14/156

**OTHER PUBLICATIONS**

Catalog "95", p. 70, Sony, Jul. 2000.

\* cited by examiner

*Primary Examiner*—N. Bondade

(74) *Attorney, Agent, or Firm*—Rader, Fishman & Grauer, PLLC

(57) **CLAIM**

The ornamental design for a disc player, as shown and described.

**DESCRIPTION**

FIG. 1 is a perspective view of a disc player showing my new design;

FIG. 2 is a top plan view thereof;

FIG. 3 is a bottom plan view thereof;

FIG. 4 is a left side elevational view thereof;

FIG. 5 is a right side elevational view thereof;

FIG. 6 is a front elevational view thereof; and,

FIG. 7 is a rear elevational view thereof.

**1 Claim, 5 Drawing Sheets**

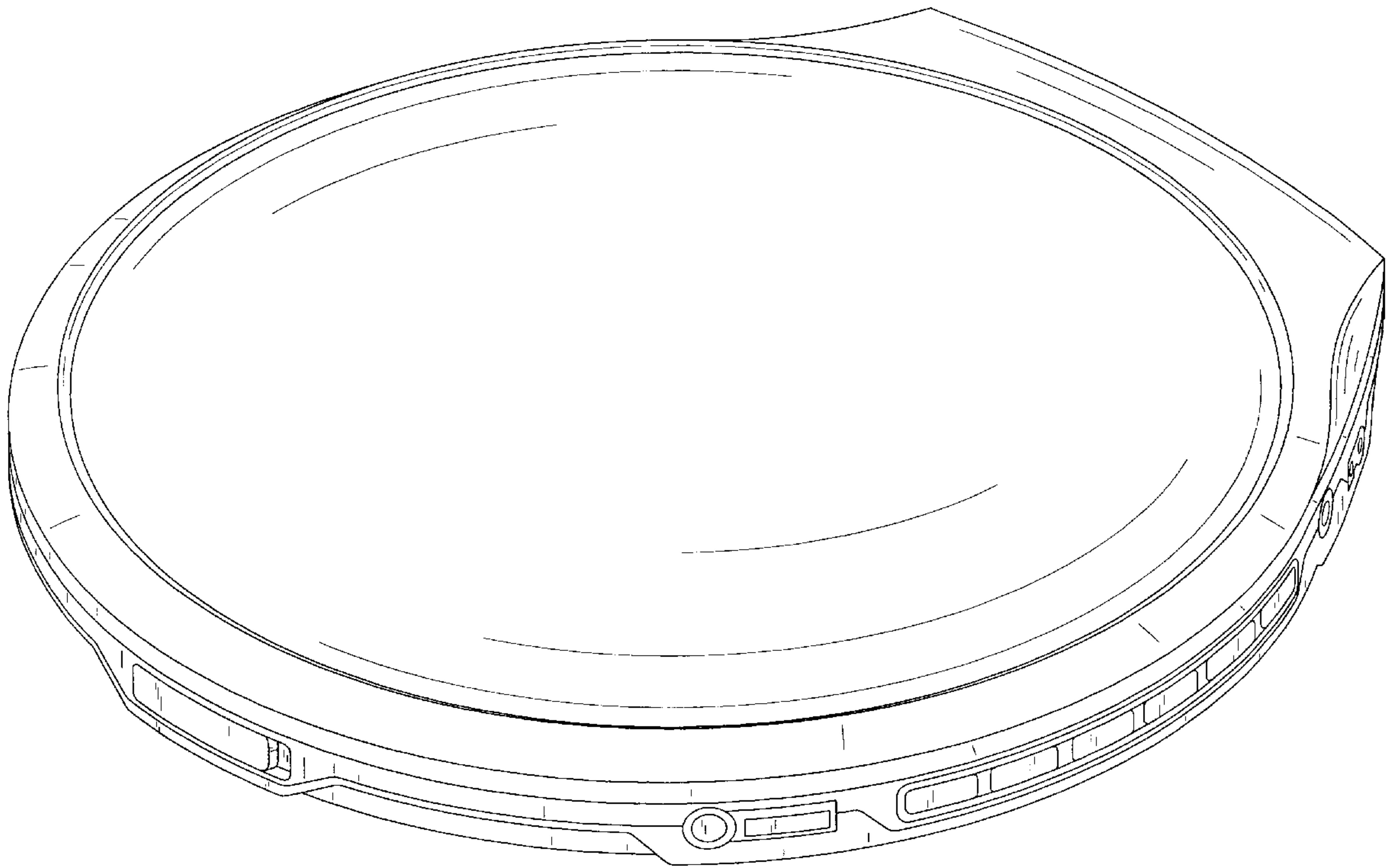


FIG. 1

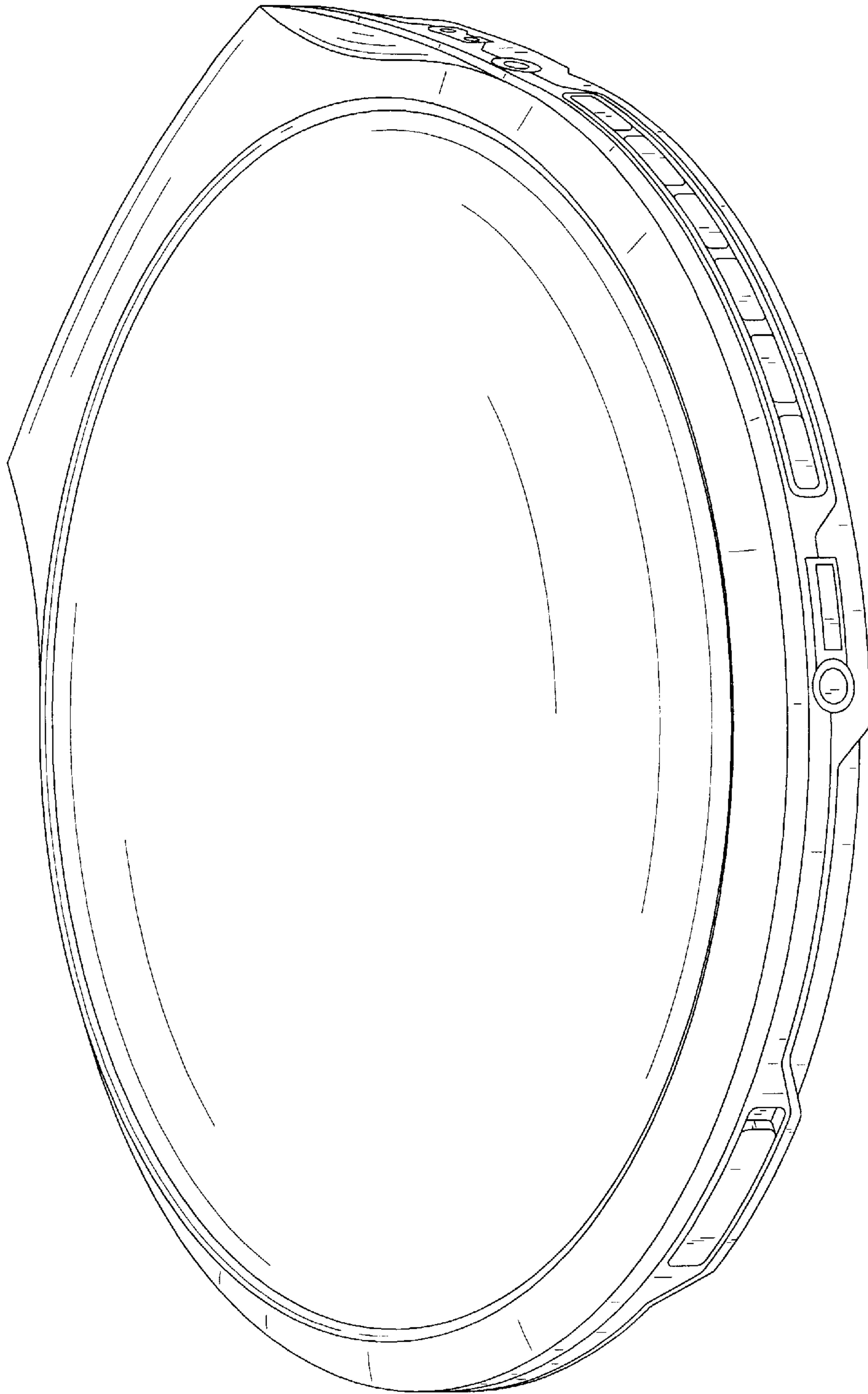


FIG. 2

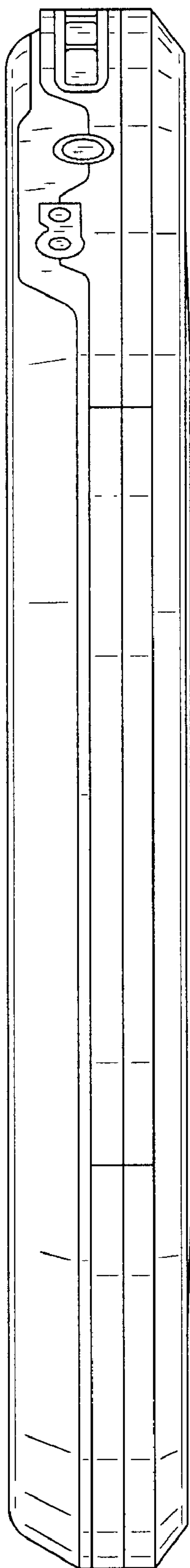


FIG. 3

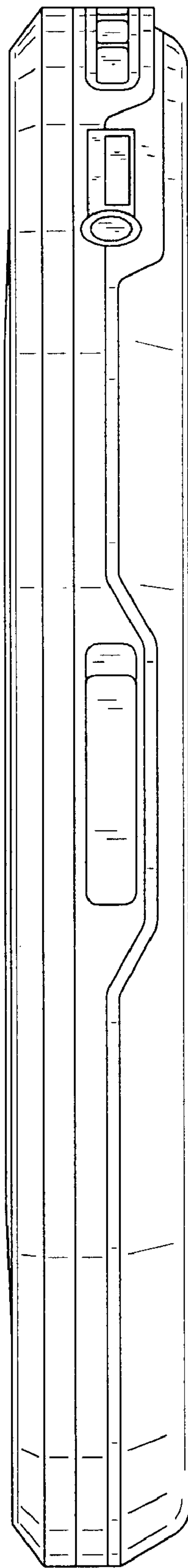


FIG. 4

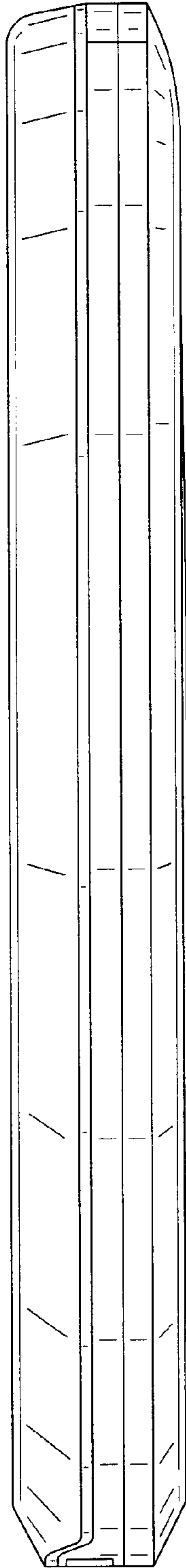


FIG. 5

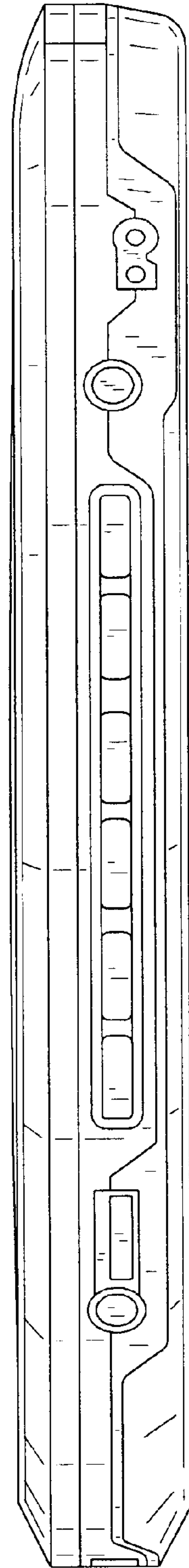


FIG. 6

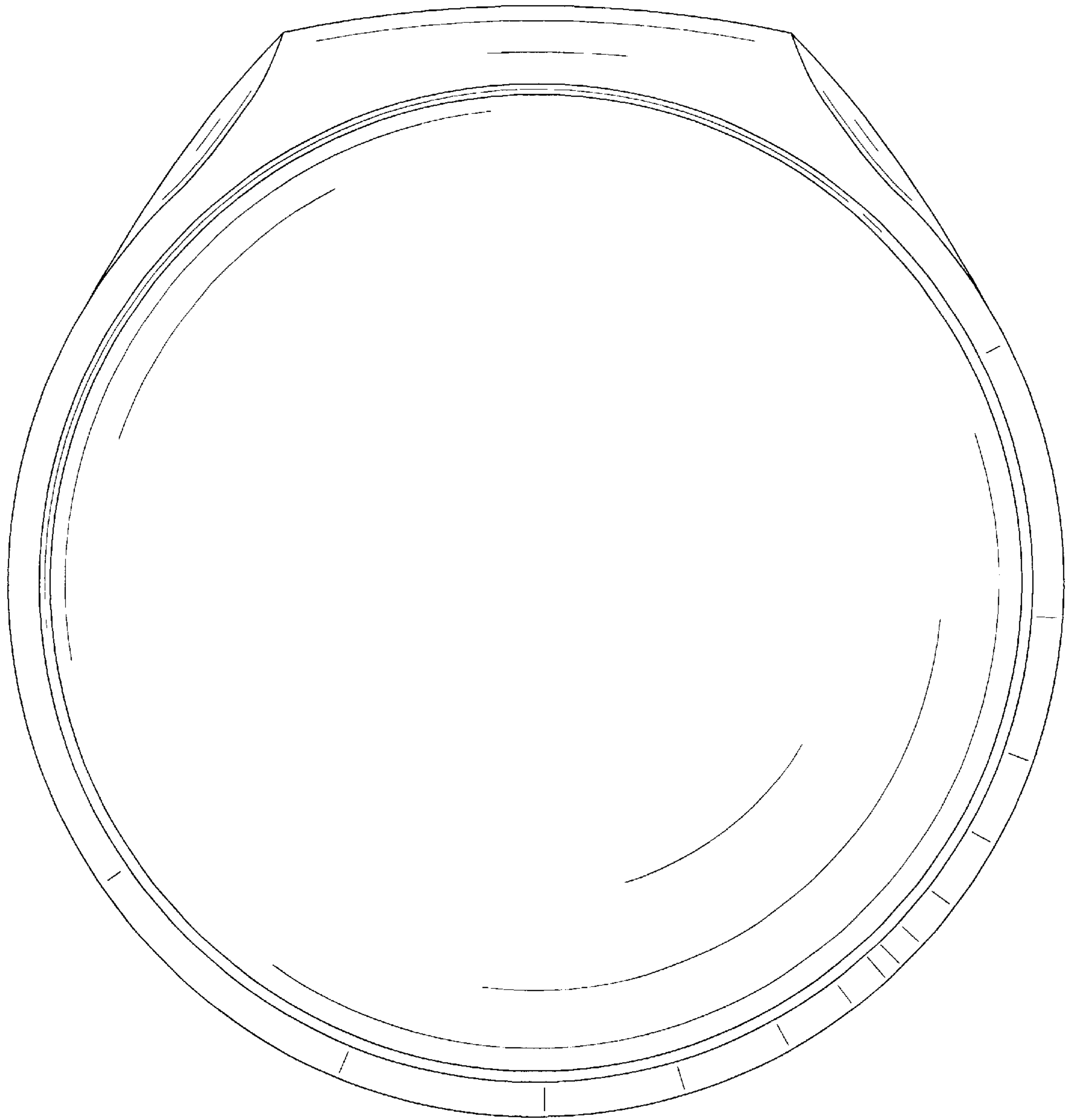




FIG. 7

