



US00D451078B1

(12) **United States Design Patent**  
**Kim**

(10) **Patent No.:** **US D451,078 S**

(45) **Date of Patent:** **\*\* Nov. 27, 2001**

(54) **TELEPHONE**

(76) **Inventor:** **Si Won Kim**, Kolon Apartment,  
2-1401, Nae-dong 151, Seo-Ku, Taejon,  
302-181 (KR)

(\*\*) **Term:** **14 Years**

(21) **Appl. No.:** **29/103,005**

(22) **Filed:** **Apr. 6, 1999**

(30) **Foreign Application Priority Data**

Jan. 22, 1999 (KR) ..... 99-978

(51) **LOC (7) Cl.** ..... **14-03**

(52) **U.S. Cl.** ..... **D14/138**

(58) **Field of Search** ..... D14/137, 138,  
D14/147-148, 247-248, 250, 240, 140-142,  
191; 379/433.434, 419, 420, 428, 440;  
455/550-575, 90

(56) **References Cited**

**U.S. PATENT DOCUMENTS**

- D. 303,258 \* 9/1989 Weiser et al. .... D14/147 X
- D. 350,744 \* 9/1994 Hino ..... D14/138
- D. 369,811 \* 5/1996 Chen ..... D14/248
- D. 382,051 \* 8/1997 Doppes ..... D14/138
- D. 392,287 \* 3/1998 Hino ..... D14/138
- D. 392,971 \* 3/1998 Pisutha-Arnond et al. .... D14/191

- D. 397,046 \* 8/1998 Oshizawa ..... D14/191 X
- D. 405,084 \* 2/1999 Scalisi et al. .... D14/138 X
- D. 408,396 \* 4/1999 Tyneski ..... D14/137
- 5,504,813 \* 4/1996 Takasaki ..... 379/433
- 5,715,311 \* 2/1998 Sudo et al. .... 379/428

**OTHER PUBLICATIONS**

Advertisement material for the product claimed in this design patent application in 3 pages. ©1999.

\* cited by examiner

*Primary Examiner*—Jeffrey Asch

(74) *Attorney, Agent, or Firm*—Knobbe, Martens, Olson & Bear, LLP

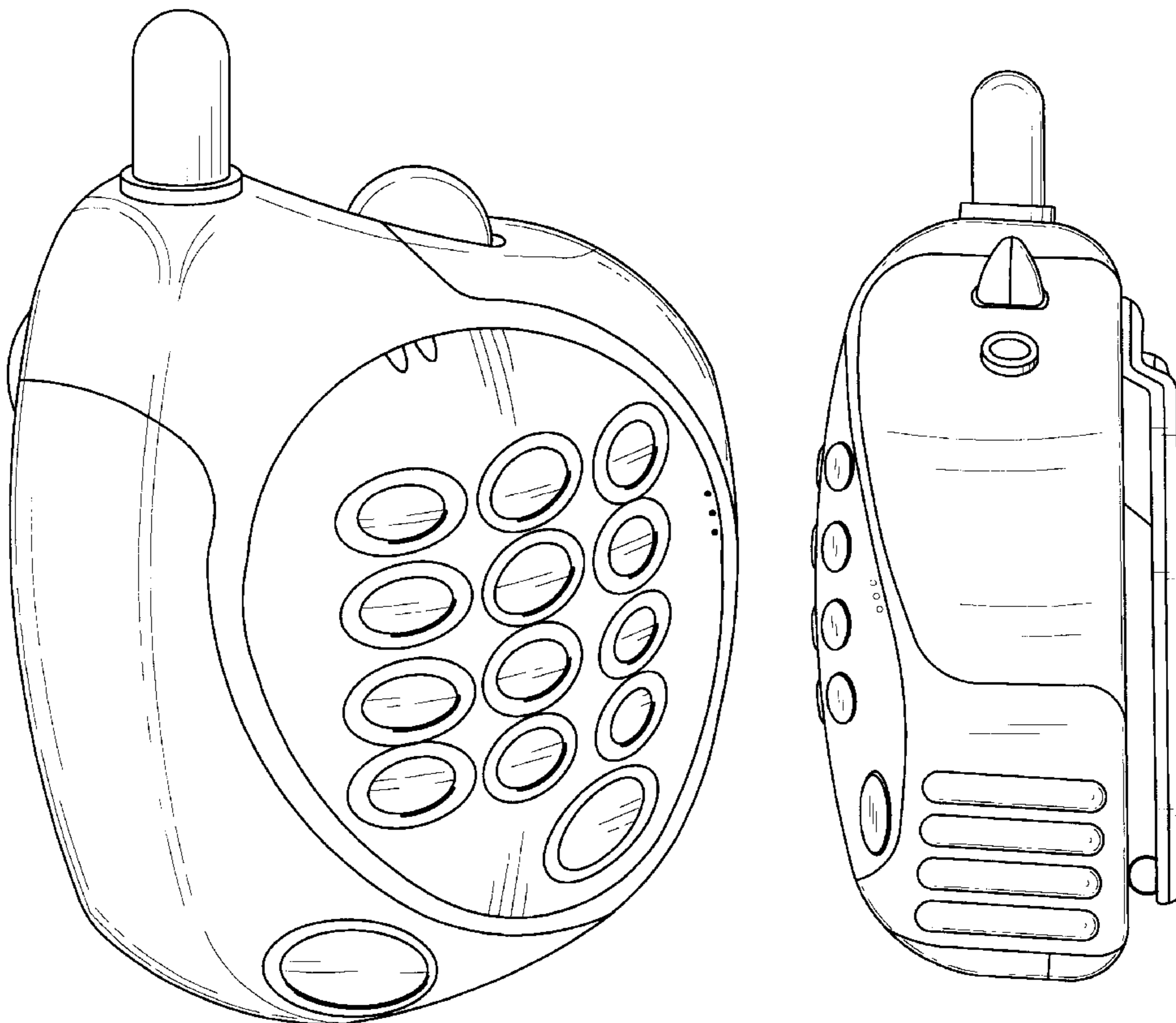
(57) **CLAIM**

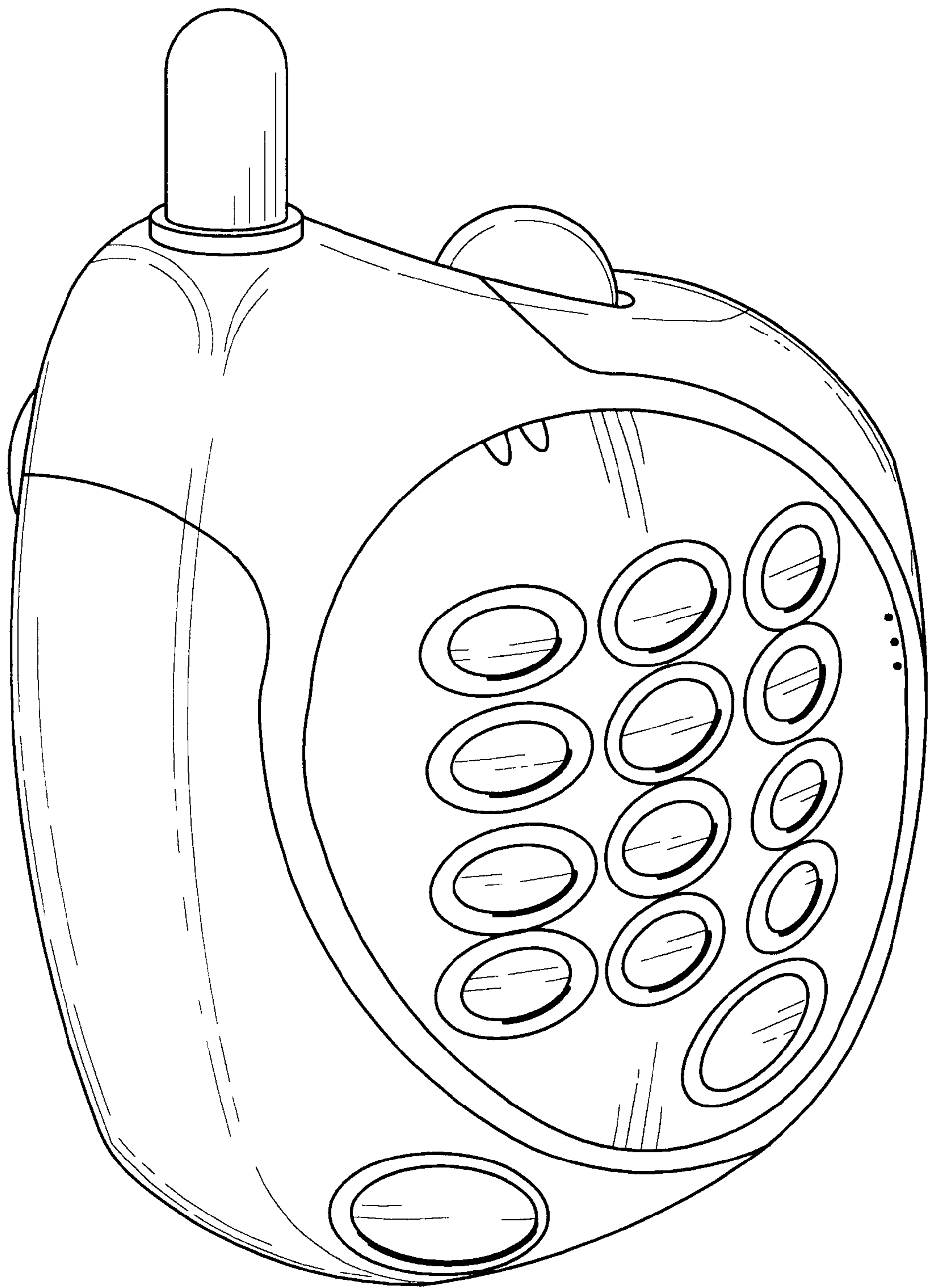
The ornamental design for a telephone, as shown and described.

**DESCRIPTION**

FIG. 1 is a perspective view of a telephone of the present invention;  
 FIG. 2 is a front view of the telephone of FIG. 1;  
 FIG. 3 is a rear view of the telephone of FIG. 1;  
 FIG. 4 is a left side view of the telephone of FIG. 1;  
 FIG. 5 is a right side view of the telephone of FIG. 1;  
 FIG. 6 is a top plan view of the telephone of FIG. 1; and,  
 FIG. 7 is a bottom plan view of the telephone of FIG. 1.

**1 Claim, 7 Drawing Sheets**

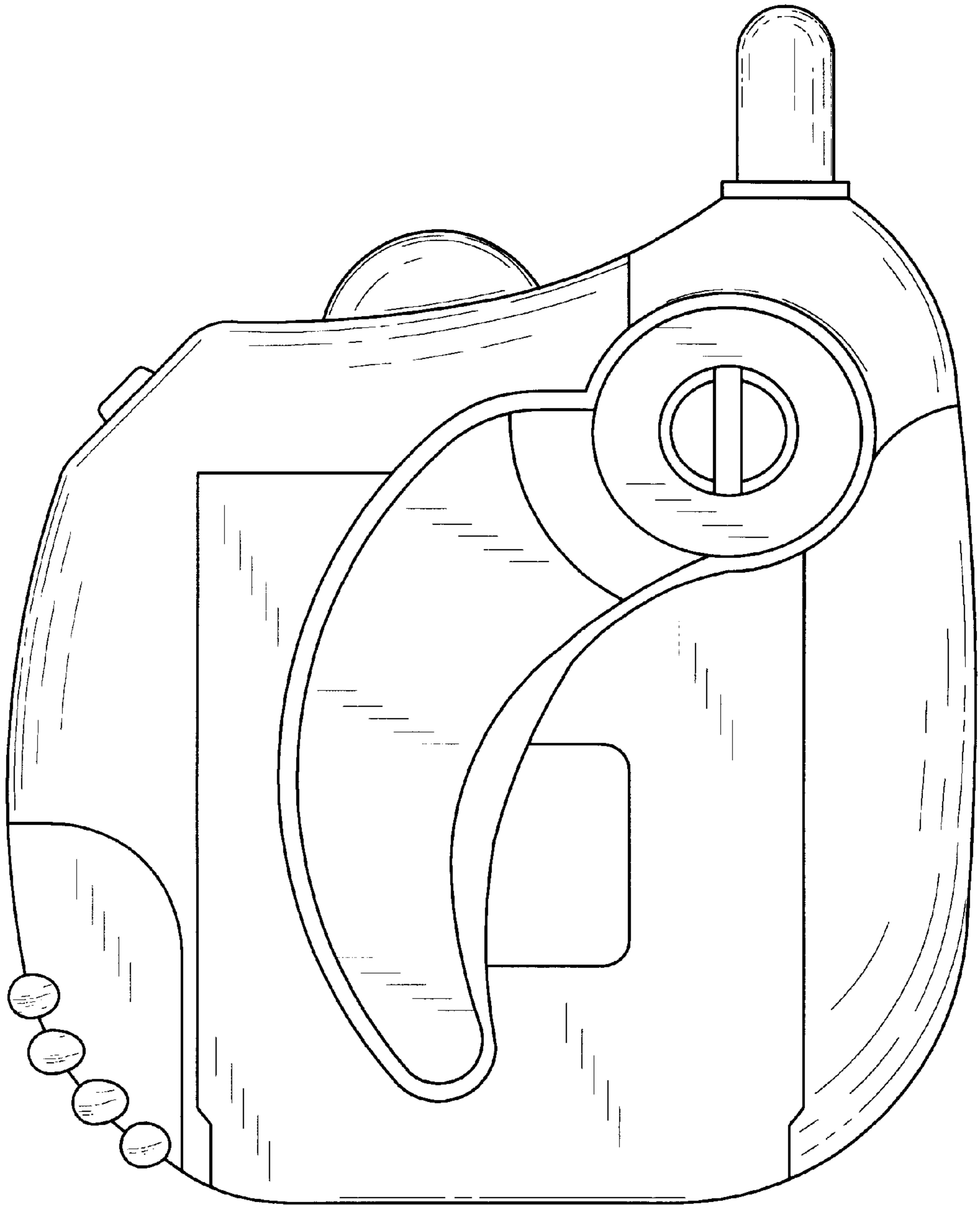




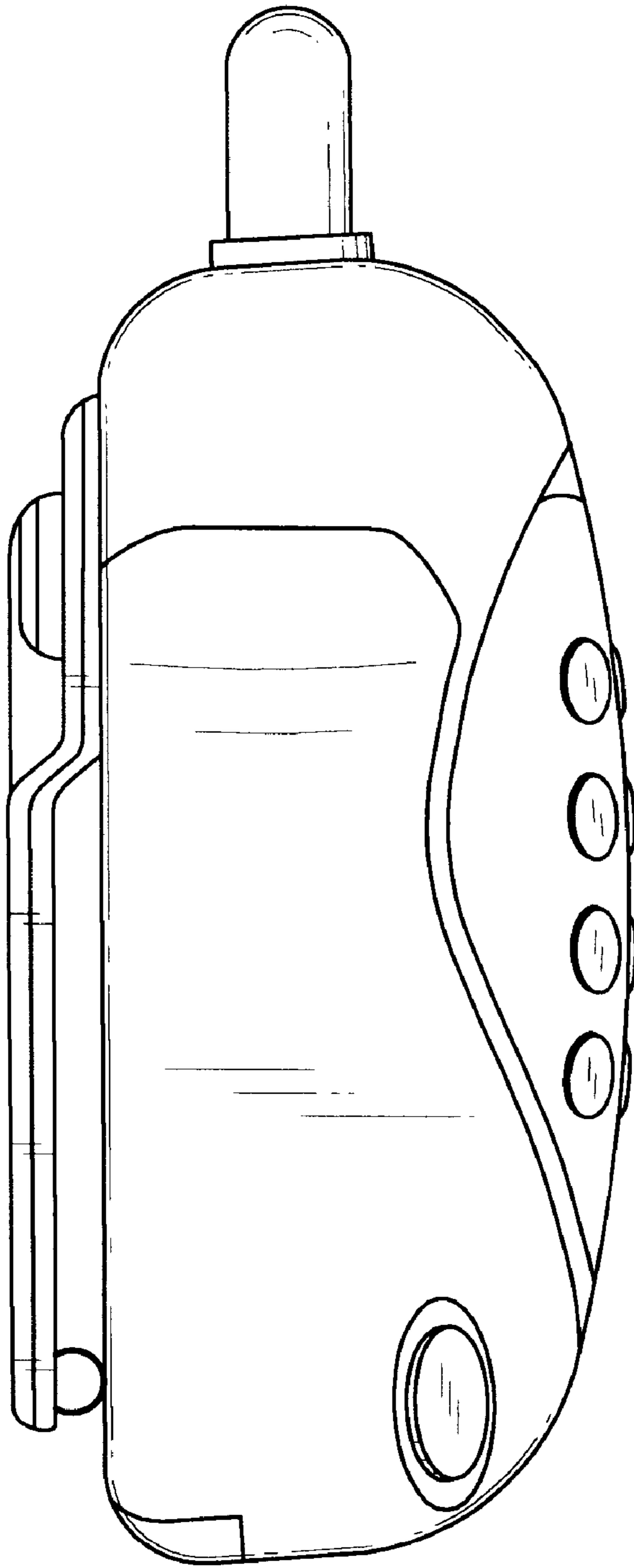
*FIG. 1*



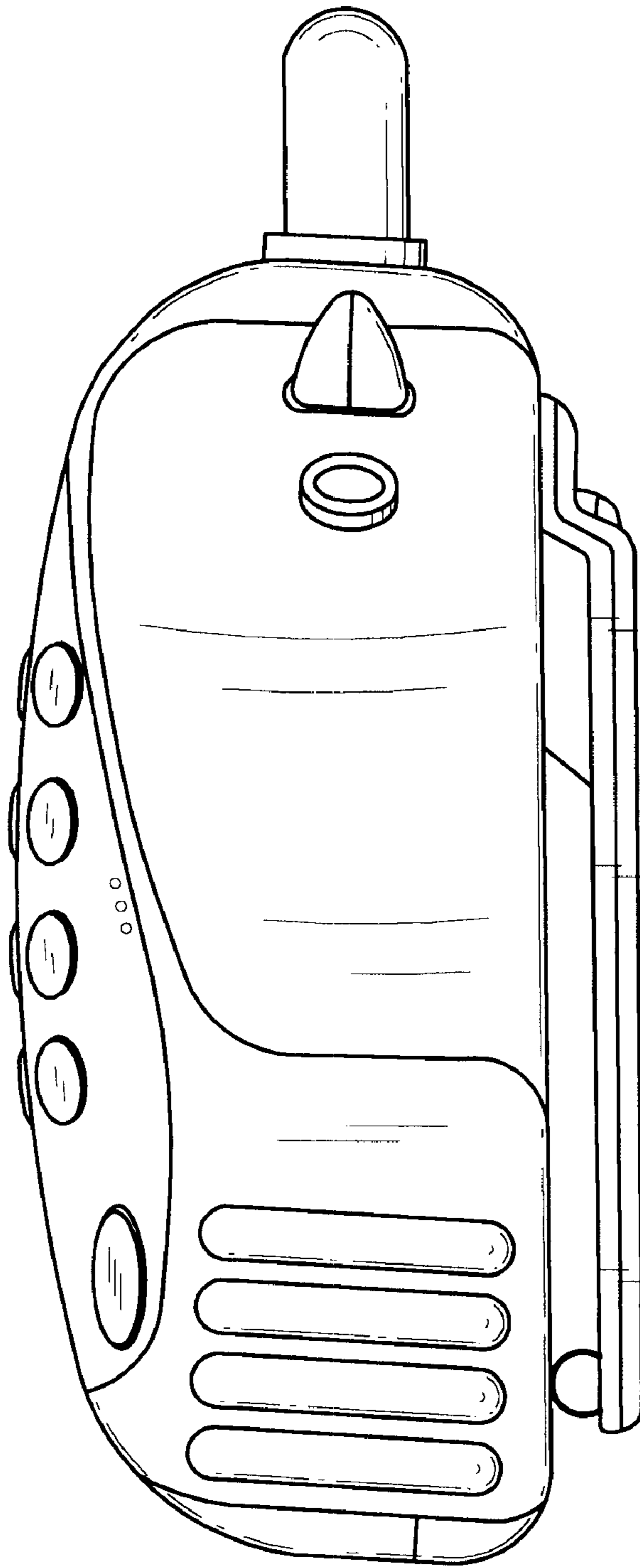
*FIG. 2*



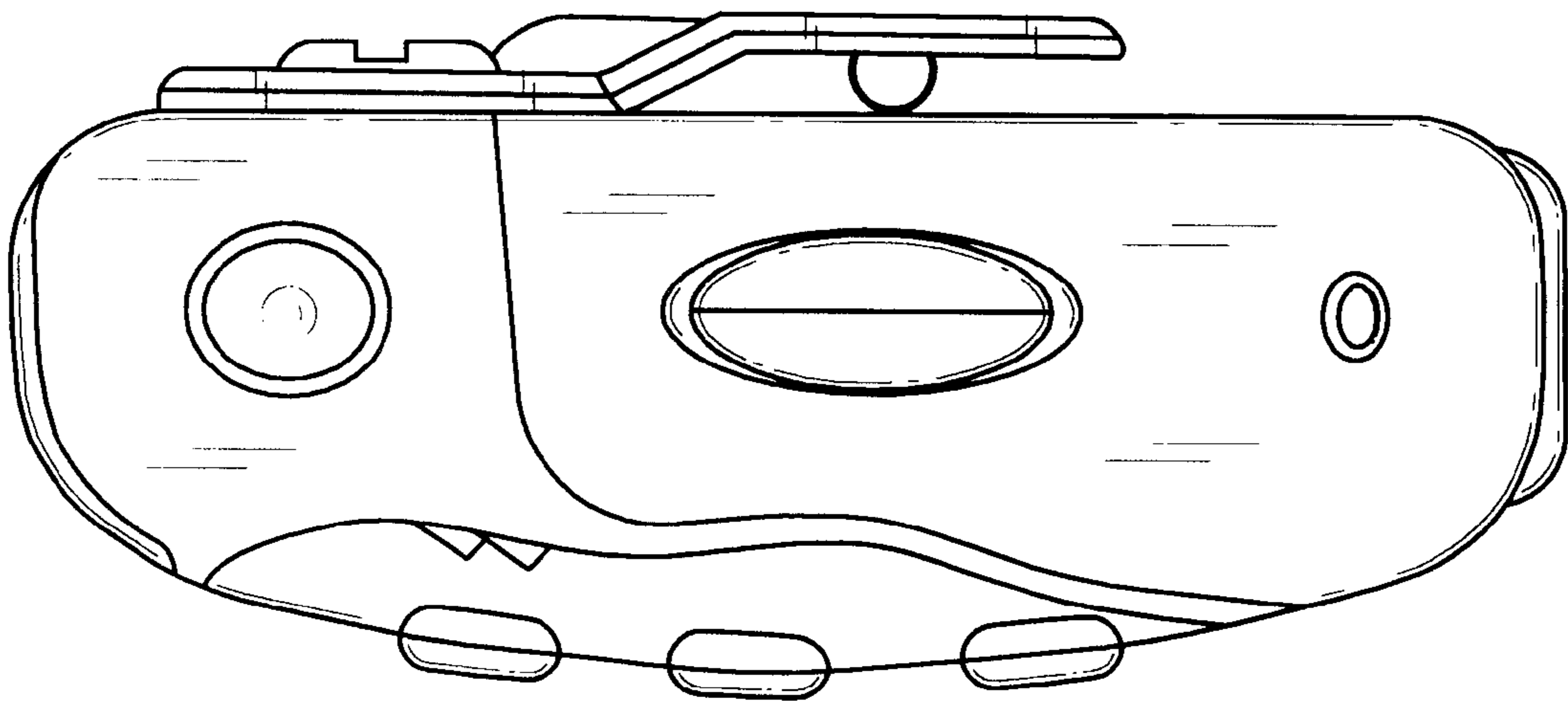
*FIG. 3*



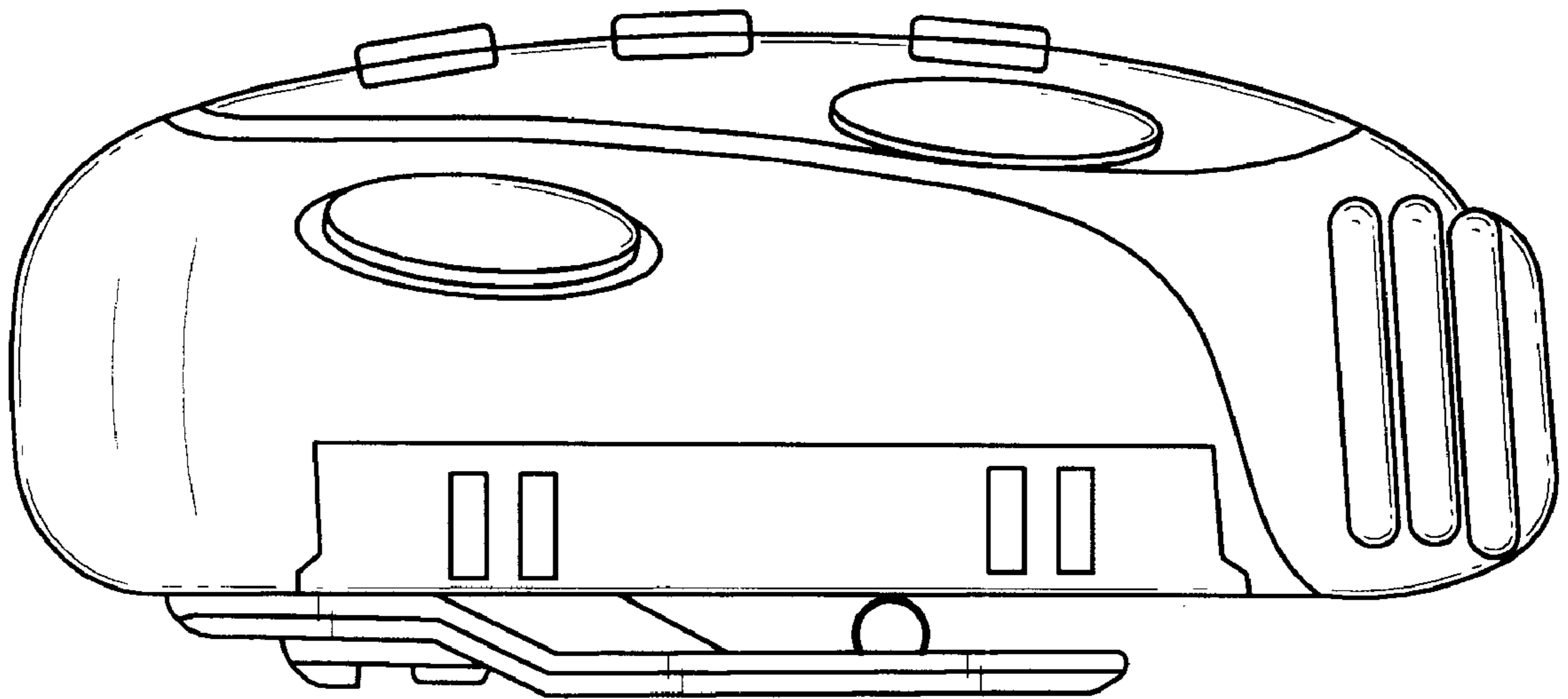
*FIG. 4*



*FIG. 5*



*FIG. 6*



*FIG. 7*