



US00D451076B1

(12) **United States Design Patent**  
**Sommer et al.**

(10) **Patent No.:** **US D451,076 S**

(45) **Date of Patent:** **\*\* Nov. 27, 2001**

(54) **HAND-HELD REMOTE CONTROL DEVICE**

(75) **Inventors:** **Frank-Uwe Sommer**, Kirchheim/Teck;  
**Frank Sommer**, Dettingen/Teck;  
**Thomas Billi**, Göppingen; **Jörg Teufel**,  
Elchingen, all of (DE)

(73) **Assignee:** **Sommer GmbH Mechanische**  
**Fertigung**, Kirchheim (DE)

(\*\*) **Term:** **14 Years**

(21) **Appl. No.:** **29/130,195**

(22) **Filed:** **Sep. 28, 2000**

(30) **Foreign Application Priority Data**

Mar. 28, 2000 (DE) ..... 400 03 277

(51) **LOC (7) Cl.** ..... **14-03**

(52) **U.S. Cl.** ..... **D13/168**

(58) **Field of Search** ..... D13/168; D14/174,  
D14/191, 218; D10/106; D21/234; 200/293-293.1,  
298, 330-331; 340/825.22-825.23, 825.69,  
825.72; 341/176; 455/128

(56) **References Cited**

**U.S. PATENT DOCUMENTS**

D. 330,013 \* 10/1992 Wunsch ..... D13/168  
D. 396,845 \* 8/1998 Caldes et al. .... D13/168 X  
D. 401,911 \* 12/1998 Hwang ..... D13/168

\* cited by examiner

*Primary Examiner*—Brian N. Vinson

(74) *Attorney, Agent, or Firm*—Pauley Petersen Kinne &  
Fejer

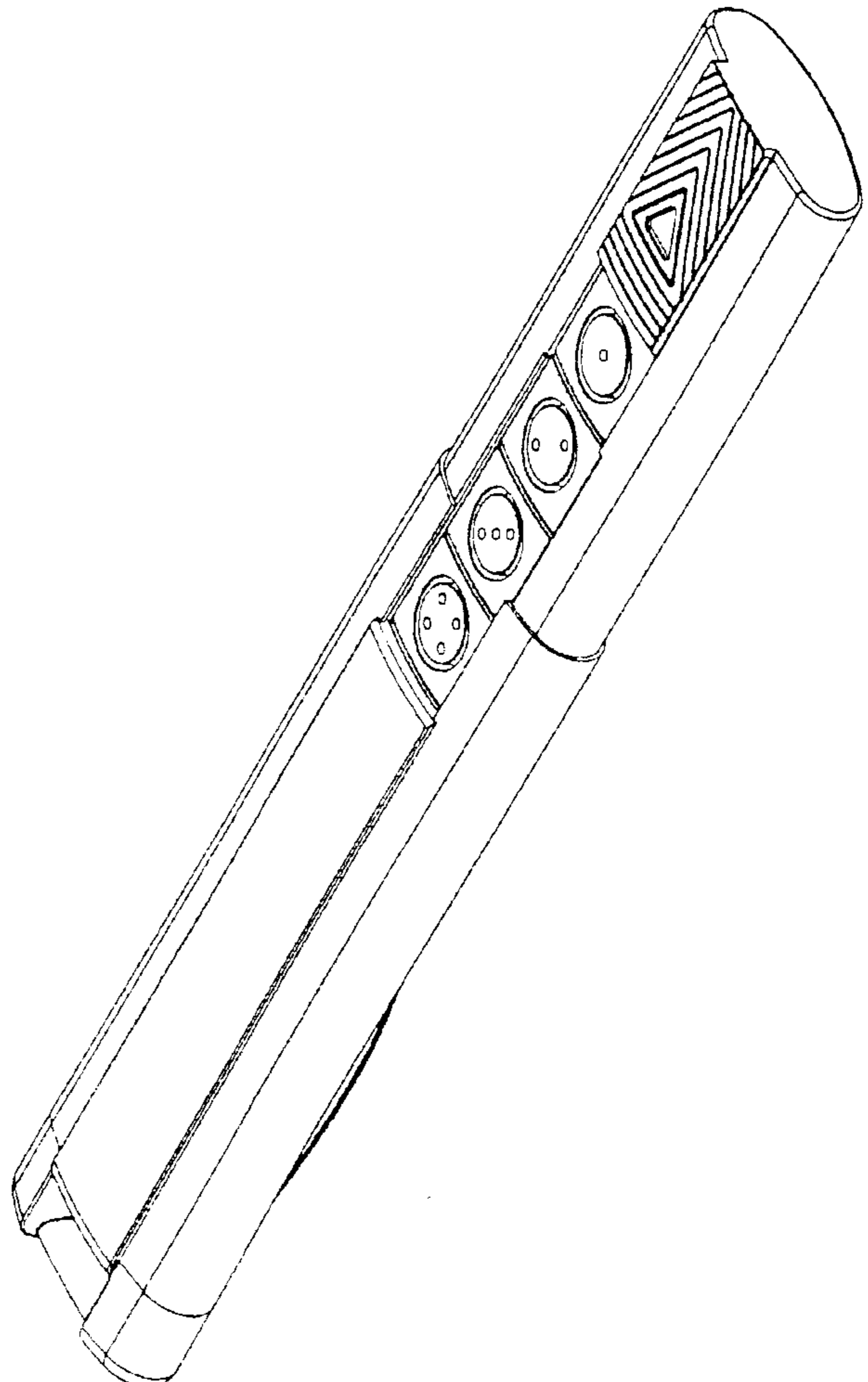
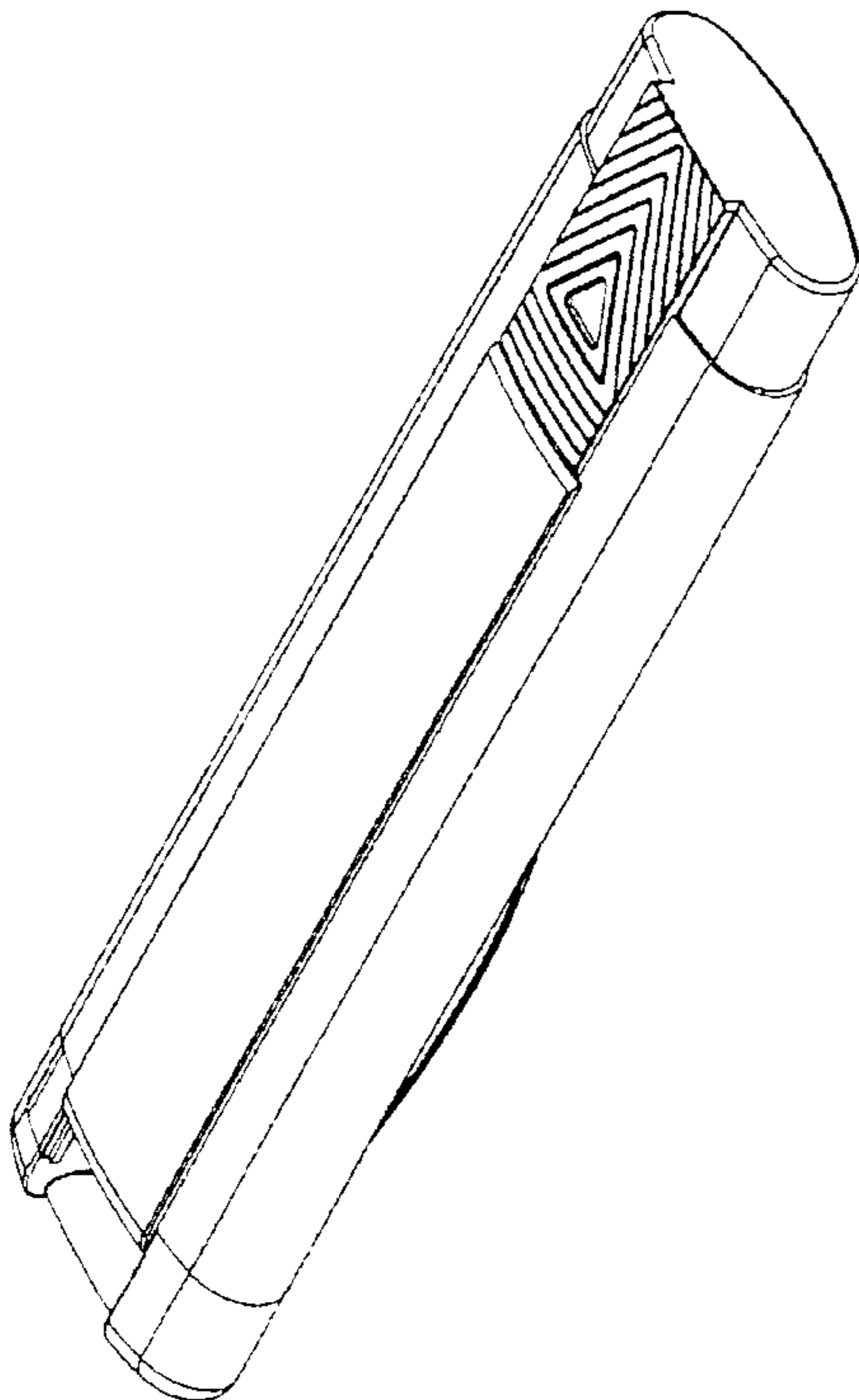
(57) **CLAIM**

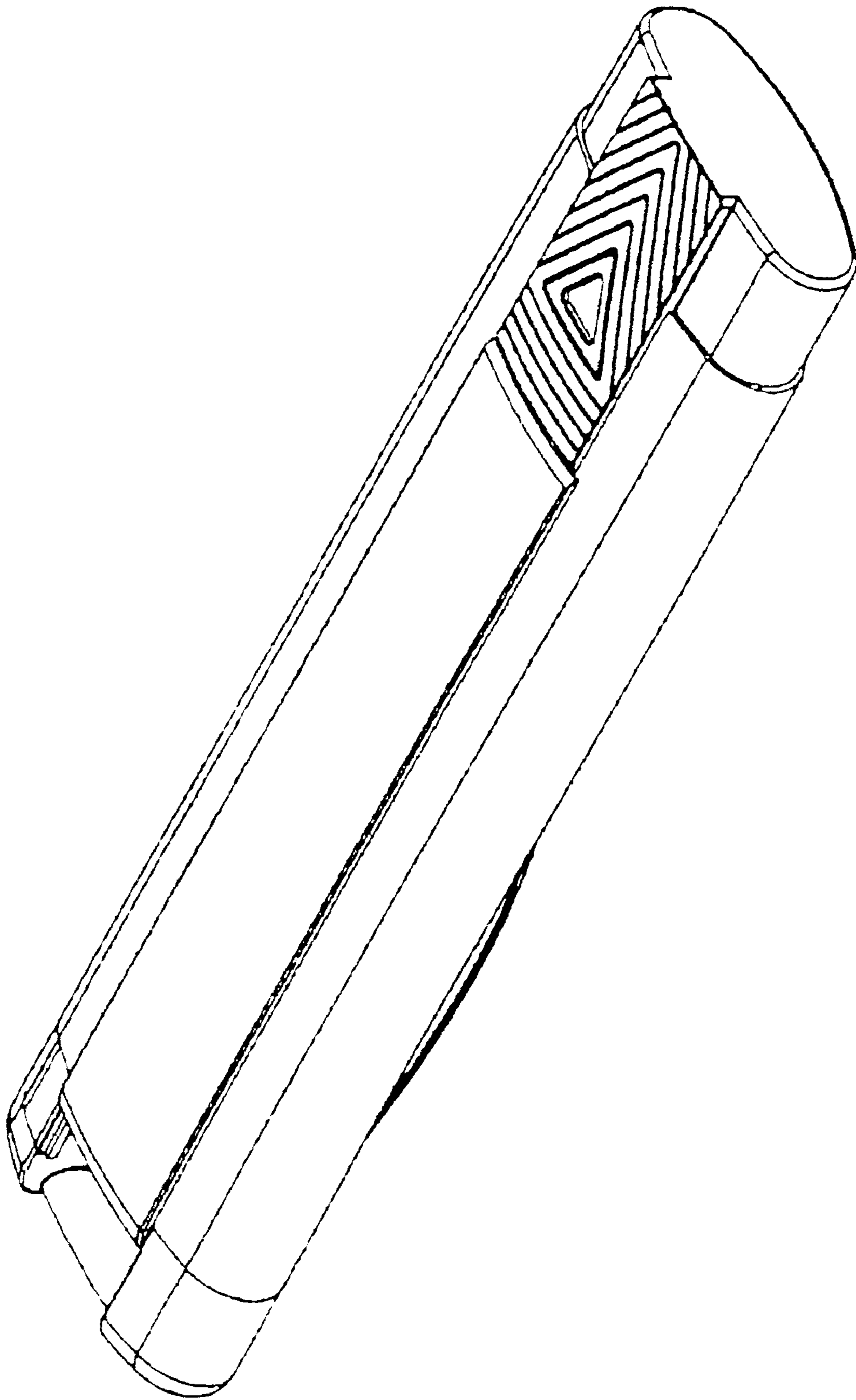
The ornamental design for a hand-held remote control  
device, as shown.

**DESCRIPTION**

FIG. 1 is a perspective view of a hand-held remote control  
device in a closed position; and,  
FIG. 2 is a perspective view of a hand-held remote control  
device as shown in FIG. 1 but in an open position.

**1 Claim, 2 Drawing Sheets**





**FIG. 1**

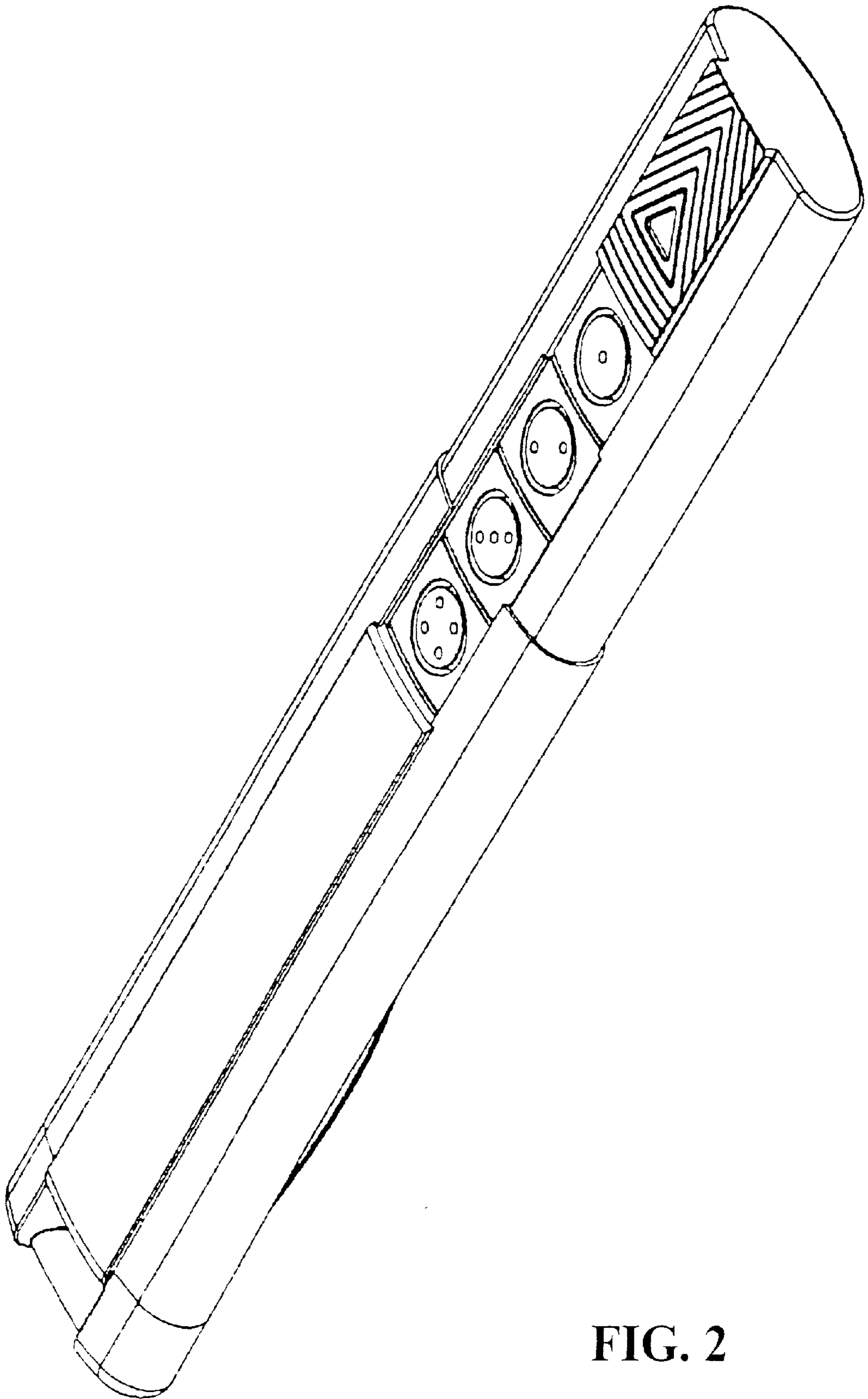


FIG. 2