



US00D451073B1

(12) **United States Design Patent**
Yasuda et al.

(10) **Patent No.:** **US D451,073 S**

(45) **Date of Patent:** **** Nov. 27, 2001**

(54) **PLUG FOR A CABLE**

(75) Inventors: **Nobuyuki Yasuda; Masaharu Higuchi,**
both of Tokyo (JP)

(73) Assignee: **Sony Corporation,** Tokyo (JP)

(**) Term: **14 Years**

(21) Appl. No.: **29/128,923**

(22) Filed: **Sep. 6, 2000**

(51) **LOC (7) Cl.** **13-03**

(52) **U.S. Cl.** **D13/133**

(58) **Field of Search** **D13/133, 154,**
D13/156; 439/578, 668, 669, 675, 750,
851, 889; 385/72, 78

(56) **References Cited**

U.S. PATENT DOCUMENTS

| | | | | | |
|------------|---|---------|-------------|-------|---------|
| D. 209,397 | * | 11/1967 | Weiner | | D13/156 |
| D. 241,341 | * | 9/1976 | Oxley | | D13/133 |
| D. 413,301 | | 8/1999 | Goto et al. | | D13/133 |
| 2,276,902 | * | 3/1942 | Webber | | 439/623 |
| 2,499,474 | * | 3/1950 | Engqvist | | 439/669 |
| 4,173,389 | * | 11/1979 | Curtis | | 385/92 |
| 4,568,401 | * | 2/1986 | Davis | | 156/55 |

4,691,986 * 9/1987 Aberson, Jr. et al. 385/66

4,938,558 * 7/1990 Miller et al. 385/72

5,253,315 * 10/1993 Fentress 385/78

* cited by examiner

Primary Examiner—Joel Sincavage

(74) *Attorney, Agent, or Firm*—Rader, Fishman & Grauer,
PLLC

(57) **CLAIM**

The ornamental design for a plug for a cable, as shown and described.

DESCRIPTION

FIG. 1 is a top, front perspective view of a plug for a cable showing our new design;

FIG. 2 is a top plan view thereof;

FIG. 3 is a bottom plan view thereof;

FIG. 4 is a left side elevational view thereof;

FIG. 5 is a right side elevational view thereof;

FIG. 6 is a front elevational view thereof; and

FIG. 7 is a rear elevational view thereof; and,

FIG. 8 is a perspective view thereof shown in alternate position.

1 Claim, 5 Drawing Sheets

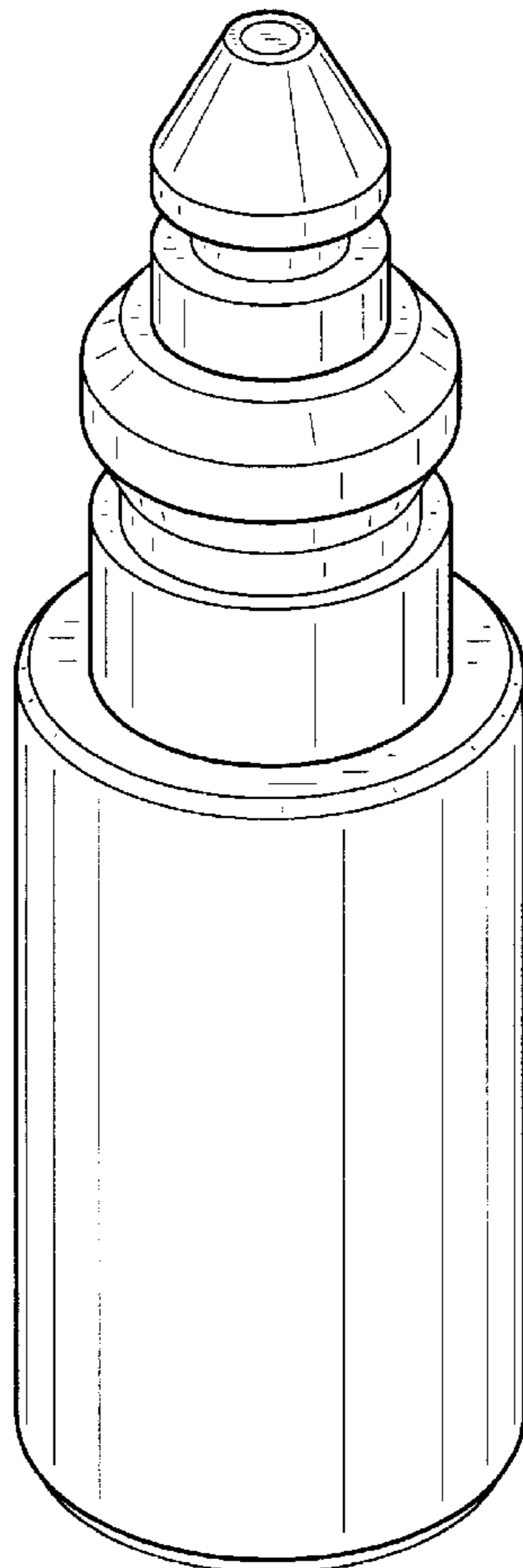


FIG. 1

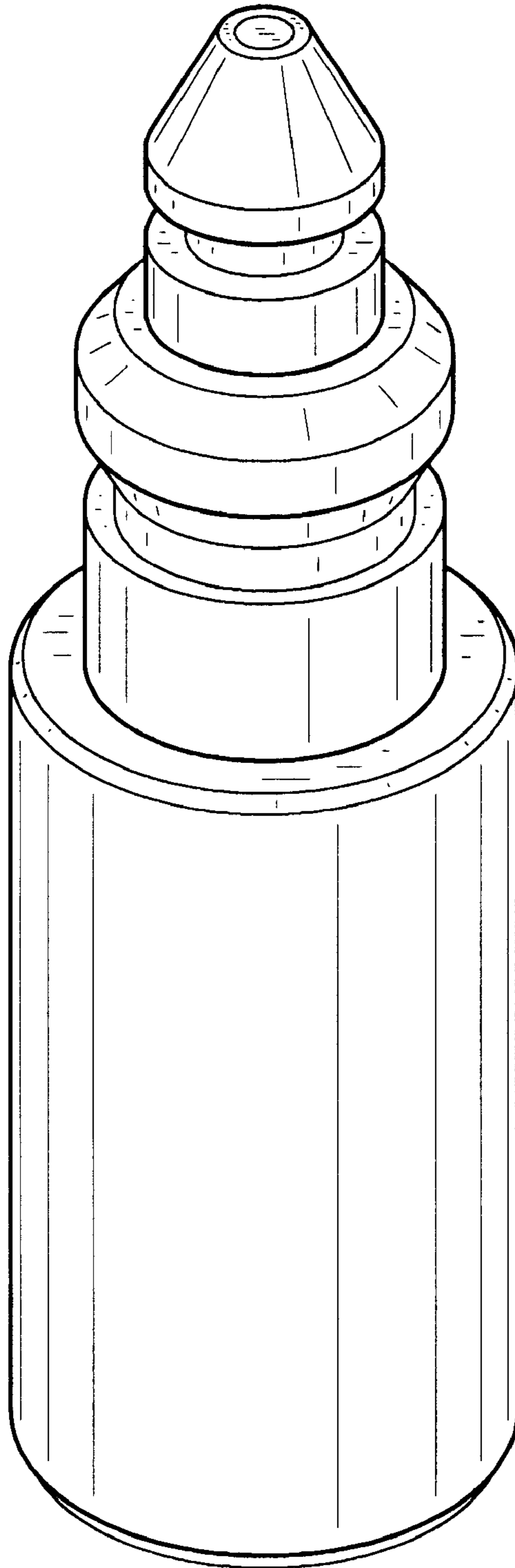


FIG. 2

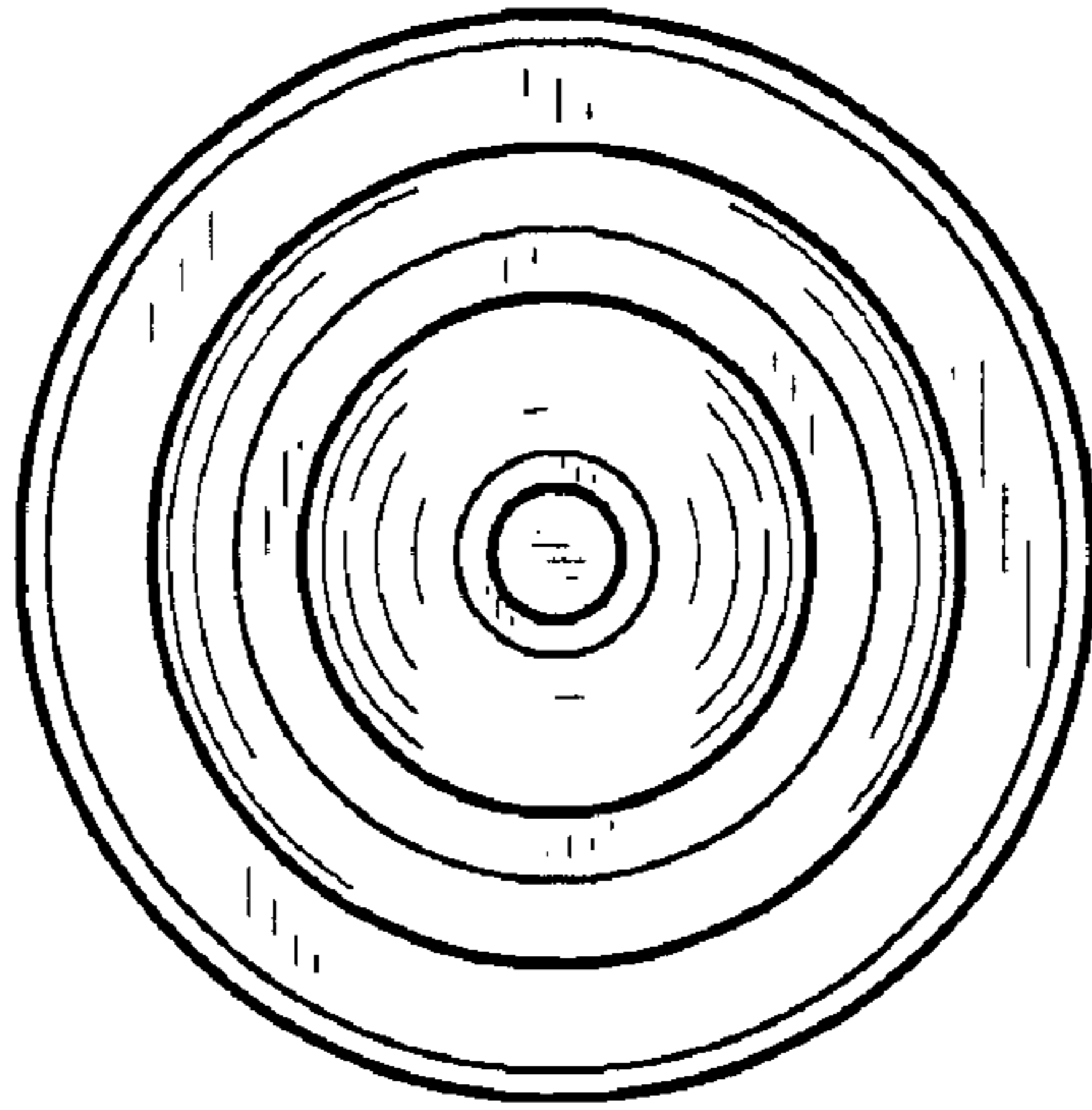


FIG. 3

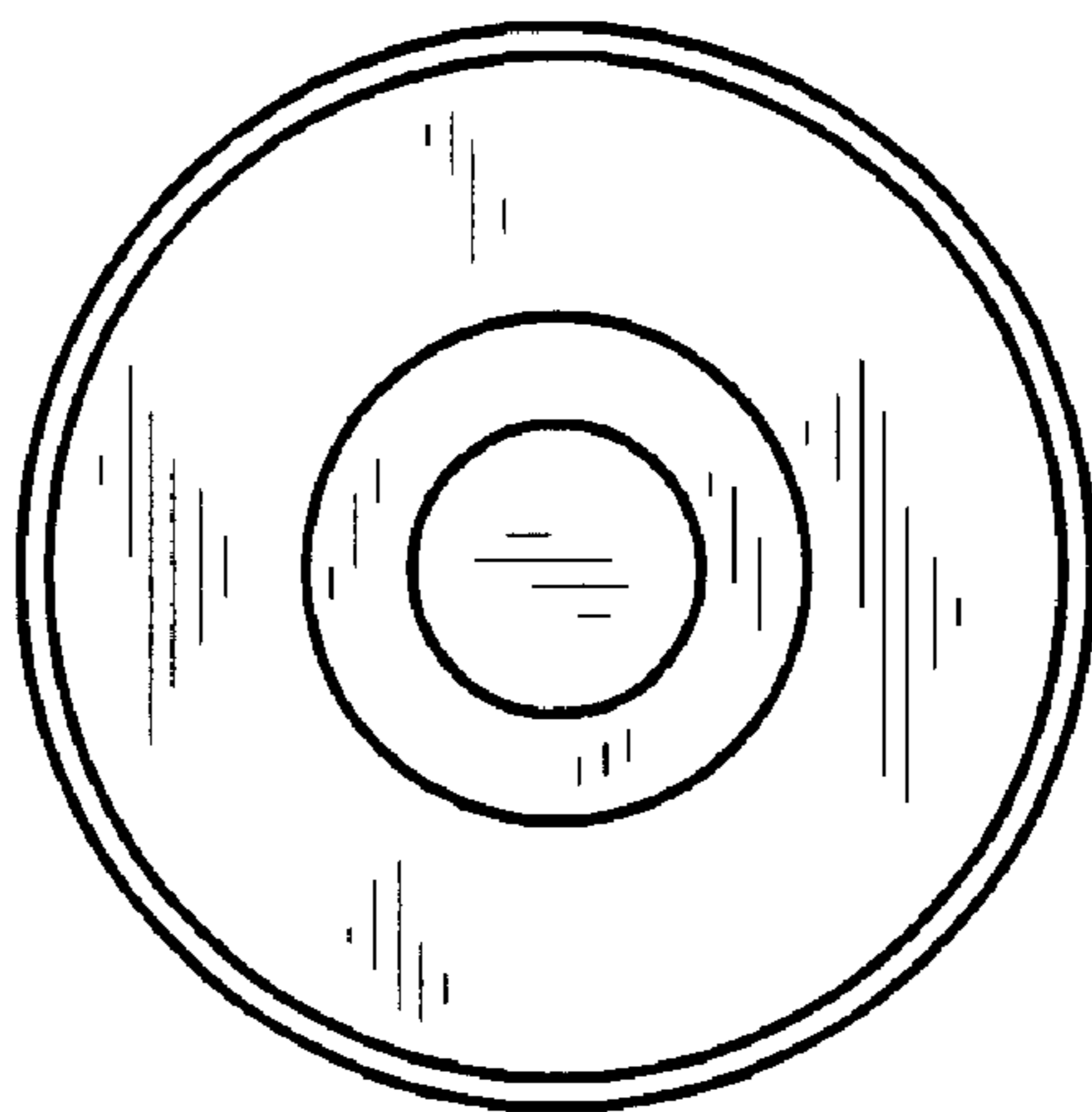


FIG. 4

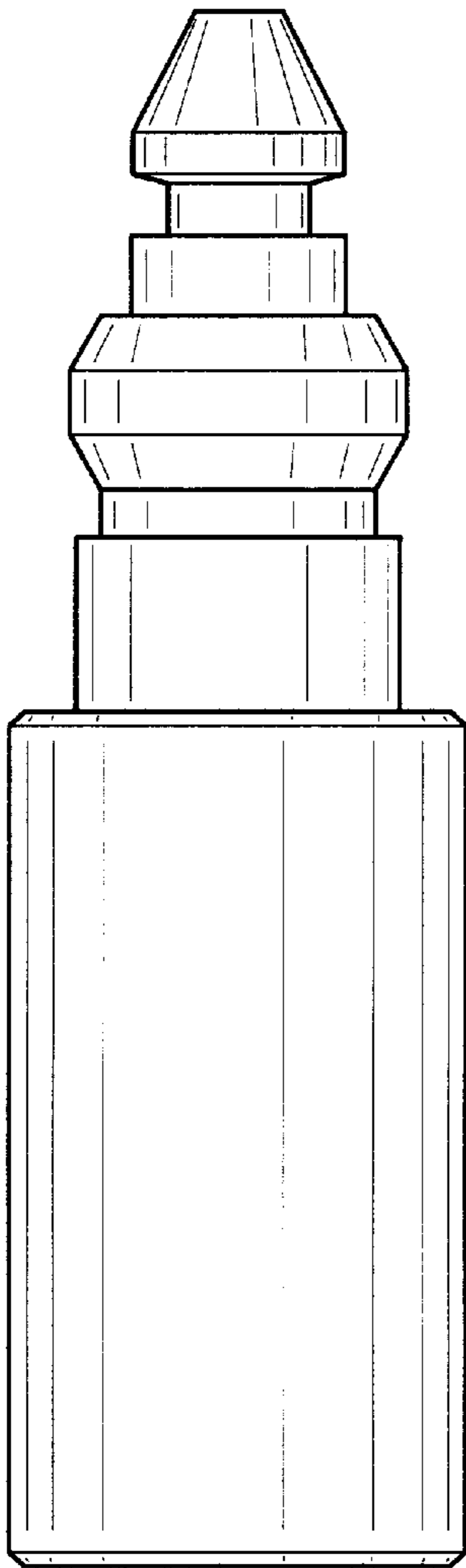


FIG. 5

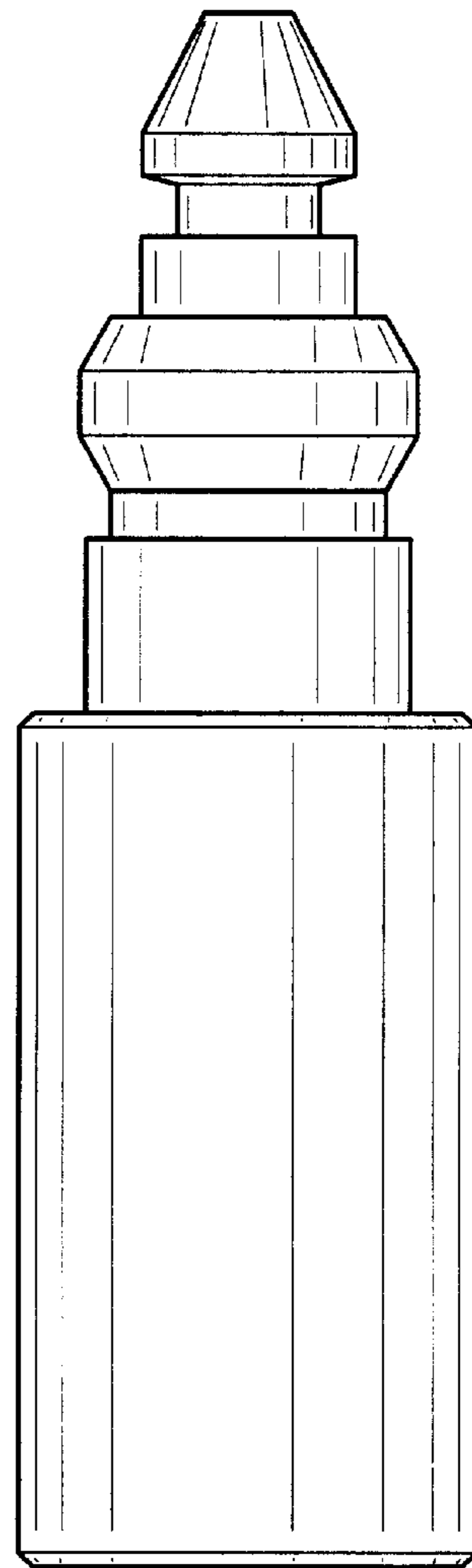


FIG. 6

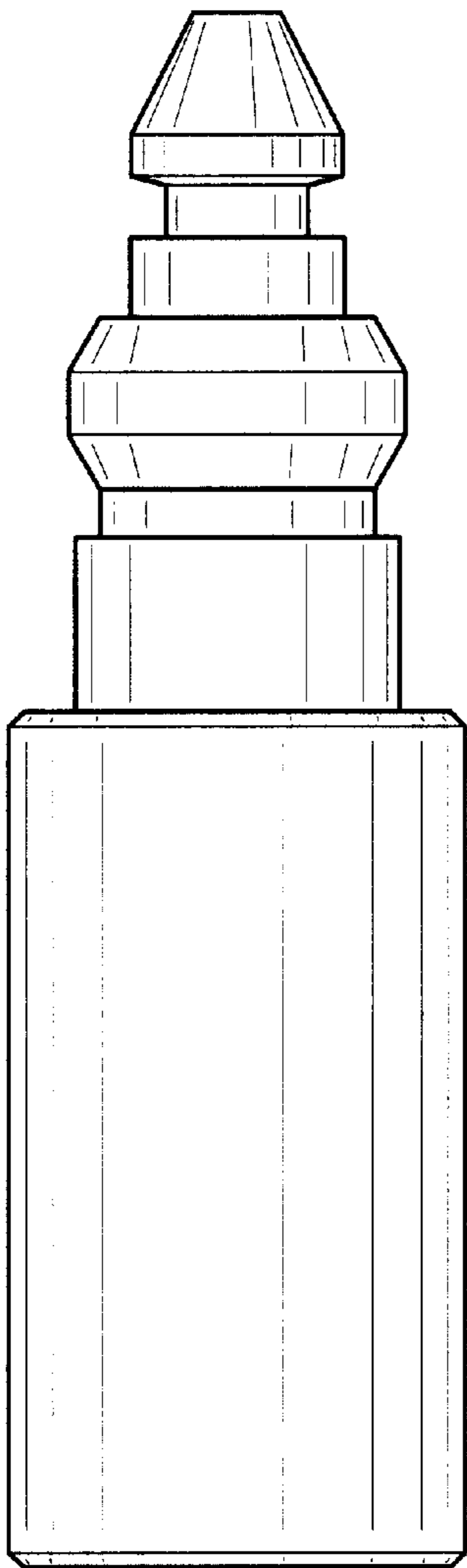


FIG. 7

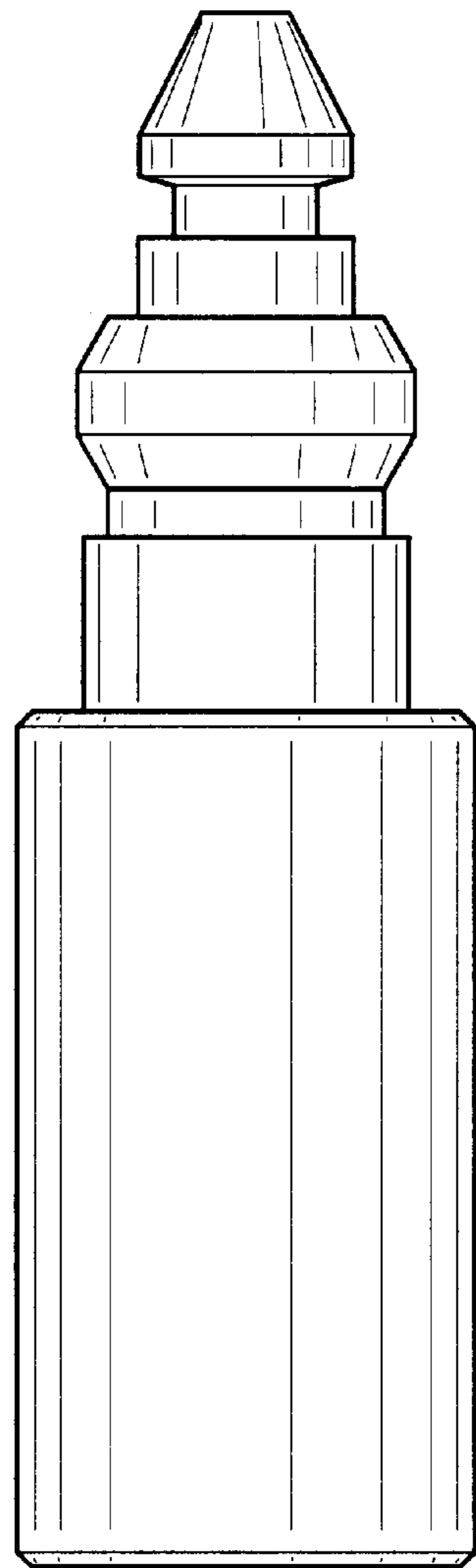


FIG. 8

