



US00D451072B1

(12) **United States Design Patent**  
**Kerdjoudj et al.**

(10) **Patent No.:** **US D451,072 S**

(45) **Date of Patent:** **\*\* Nov. 27, 2001**

(54) **COMPACT GEAR MOTOR BOX**

6,054,785 \* 4/2000 Kerdjoudj et al. .... 310/40 MM

(75) Inventors: **Mohamed Kerdjoudj**, Chicago; **A. N. Tsergas**, Wood Dale, both of IL (US)

\* cited by examiner

(73) Assignee: **Molon Motor & Coil Corporation**, Rolling Meadows, IL (US)

*Primary Examiner*—Joel Sincavage

(74) *Attorney, Agent, or Firm*—Oblon, Spivak, McClelland, Maier & Neustadt, P.C.

(\*\*) Term: **14 Years**

(57) **CLAIM**

The ornamental design for a compact gear motor box, as shown and described.

(21) Appl. No.: **29/113,047**

(22) Filed: **Oct. 29, 1999**

**DESCRIPTION**

(51) **LOC (7) Cl.** ..... **13-01**

This application is related to U.S. Utility patent application Ser. No. 09/315,852 filed on May 21, 1990.

(52) **U.S. Cl.** ..... **D13/122**

FIG. 1 is a front and lower left perspective view of a compact gear motor box showing our new design.

(58) **Field of Search** ..... D13/118, 122;  
D15/5, 148; 310/83, 91, 93

FIG. 2 is a top plan view thereof.

FIG. 3 is a left side elevational view thereof.

FIG. 4 is a right side elevational view thereof.

FIG. 5 is a rear elevational view thereof.

FIG. 6 is a front elevational view thereof; and,

FIG. 7 is a bottom plan view thereof.

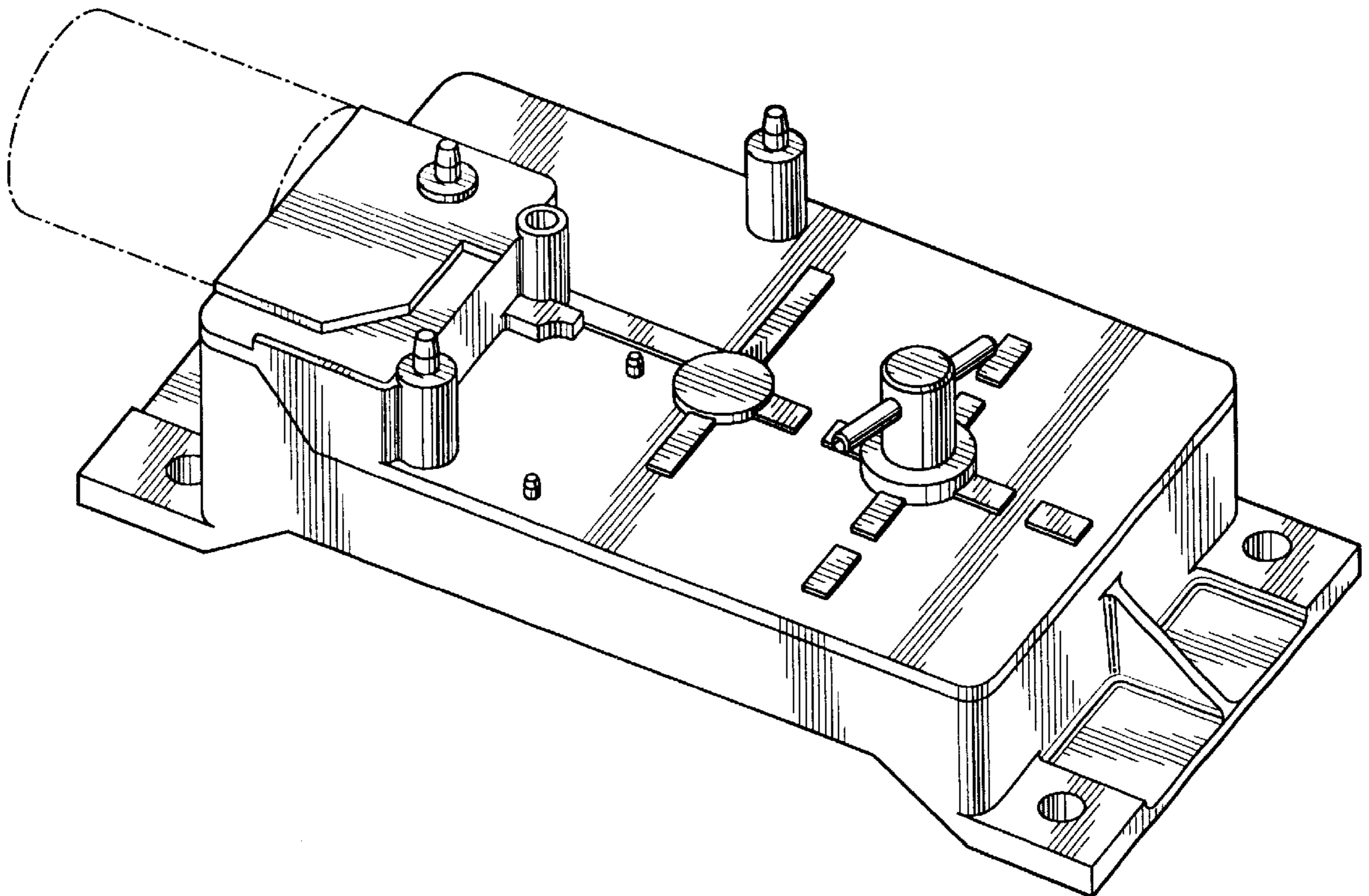
The broken lines throughout the drawing figures are included for the purpose of illustrating environmental structure only and form no part of the claimed design.

(56) **References Cited**

**U.S. PATENT DOCUMENTS**

D. 327,051	6/1992	Schwartz .	
2,685,043	* 7/1954	Durant .....	310/177
4,616,164	* 10/1986	Kenny et al. ....	318/666
5,172,605	* 12/1992	Schwartz .....	D13/122 X
5,256,921	* 10/1993	Pruis et al. ....	310/83 X
5,446,326	* 8/1995	Scheider .....	310/83
5,737,968	* 4/1998	Hardey et al. ....	74/421 A
6,028,384	* 2/2000	Billman et al. ....	310/83

**1 Claim, 5 Drawing Sheets**



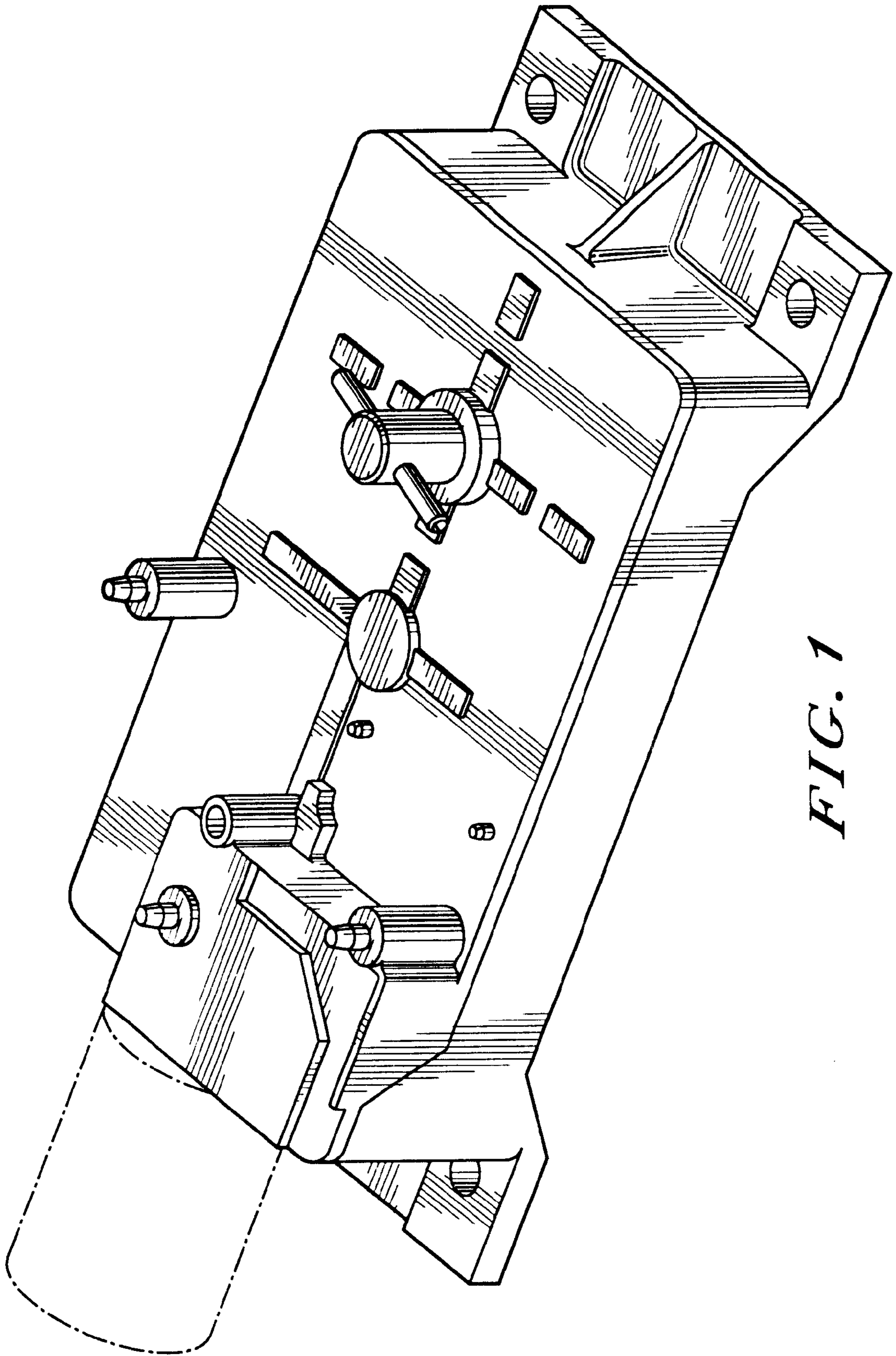


FIG. 1

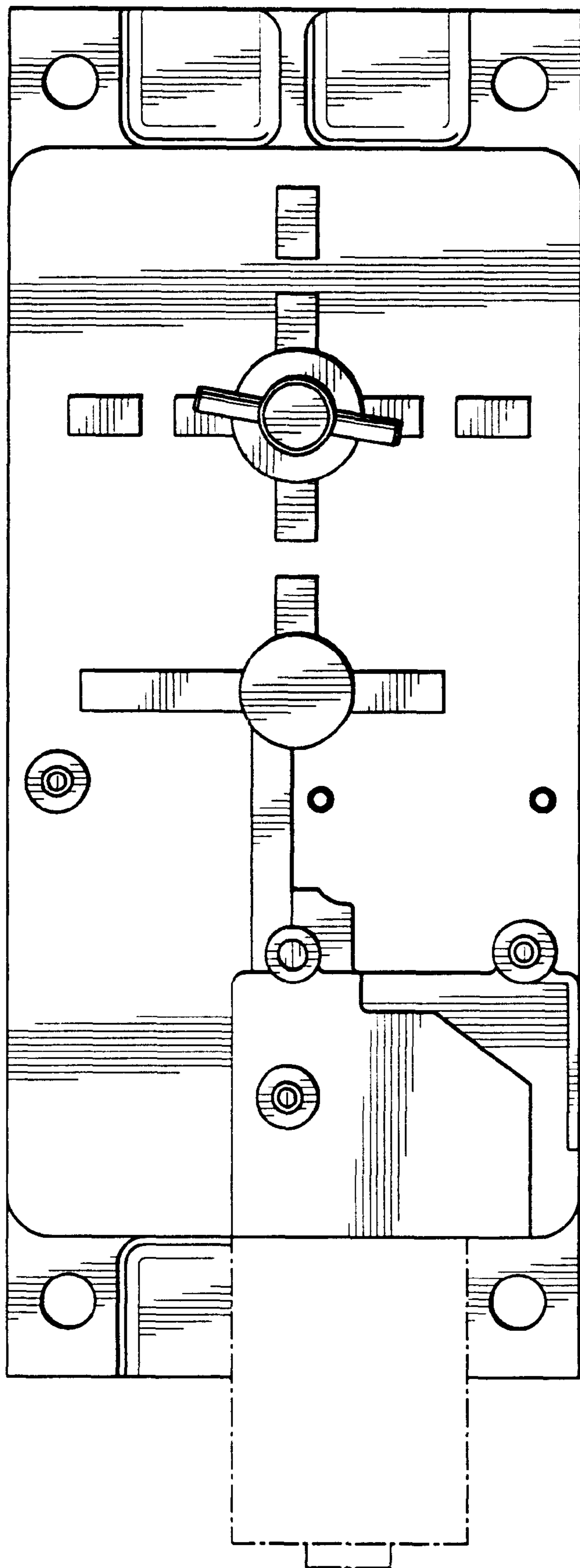
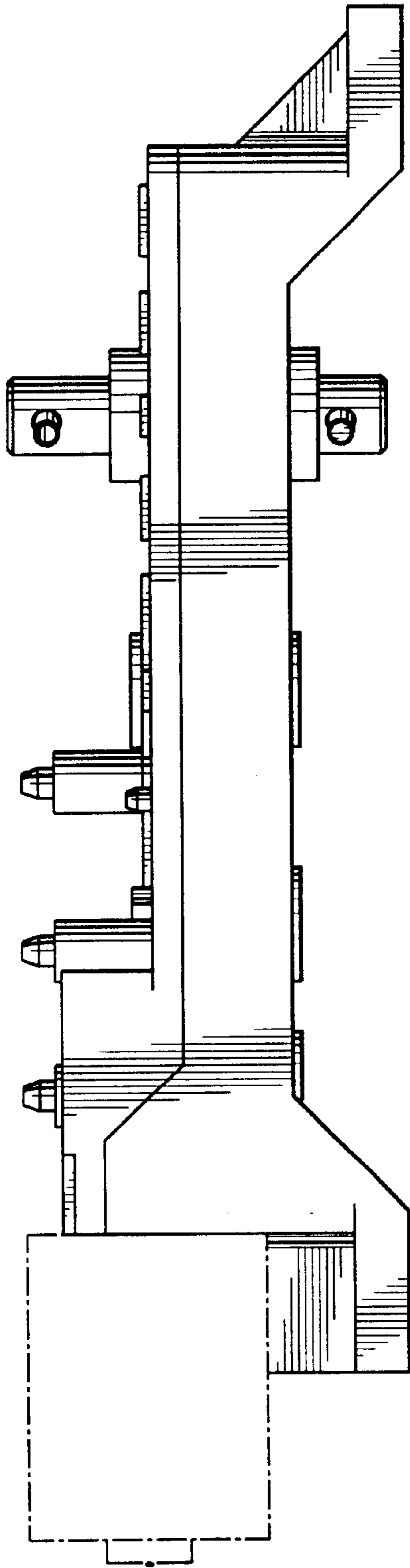
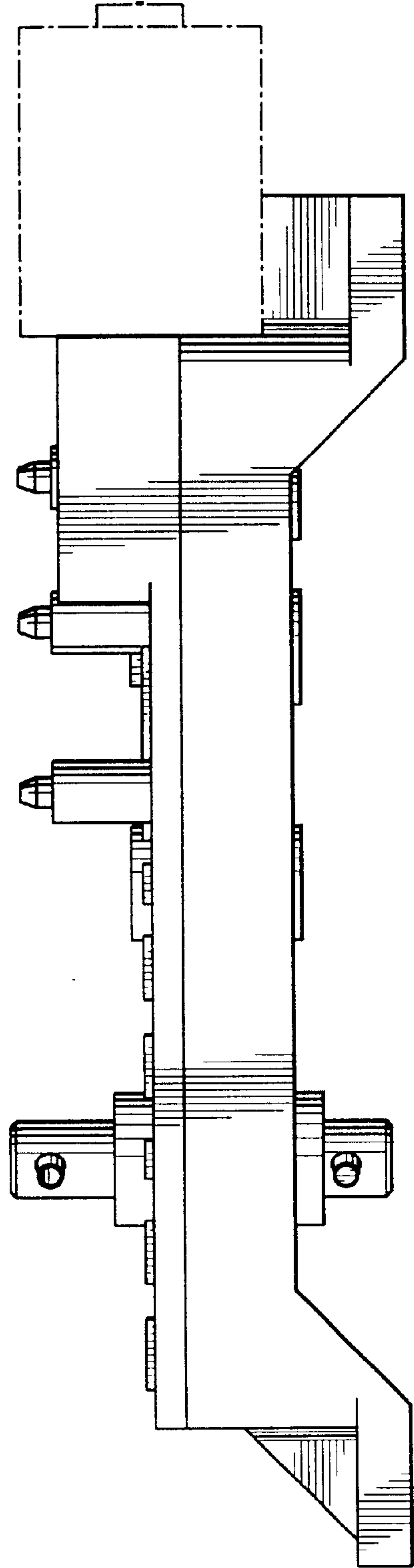


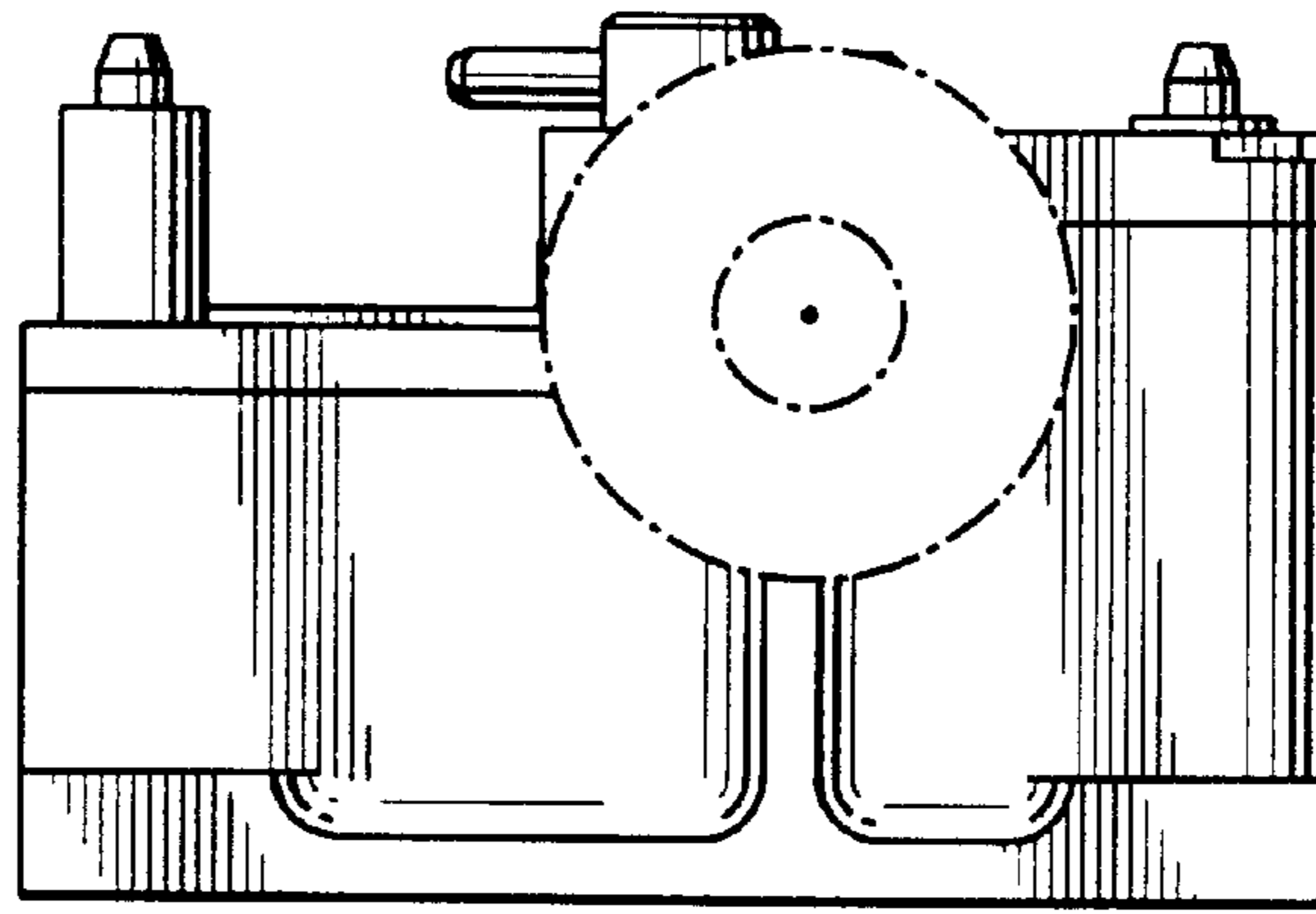
FIG. 2



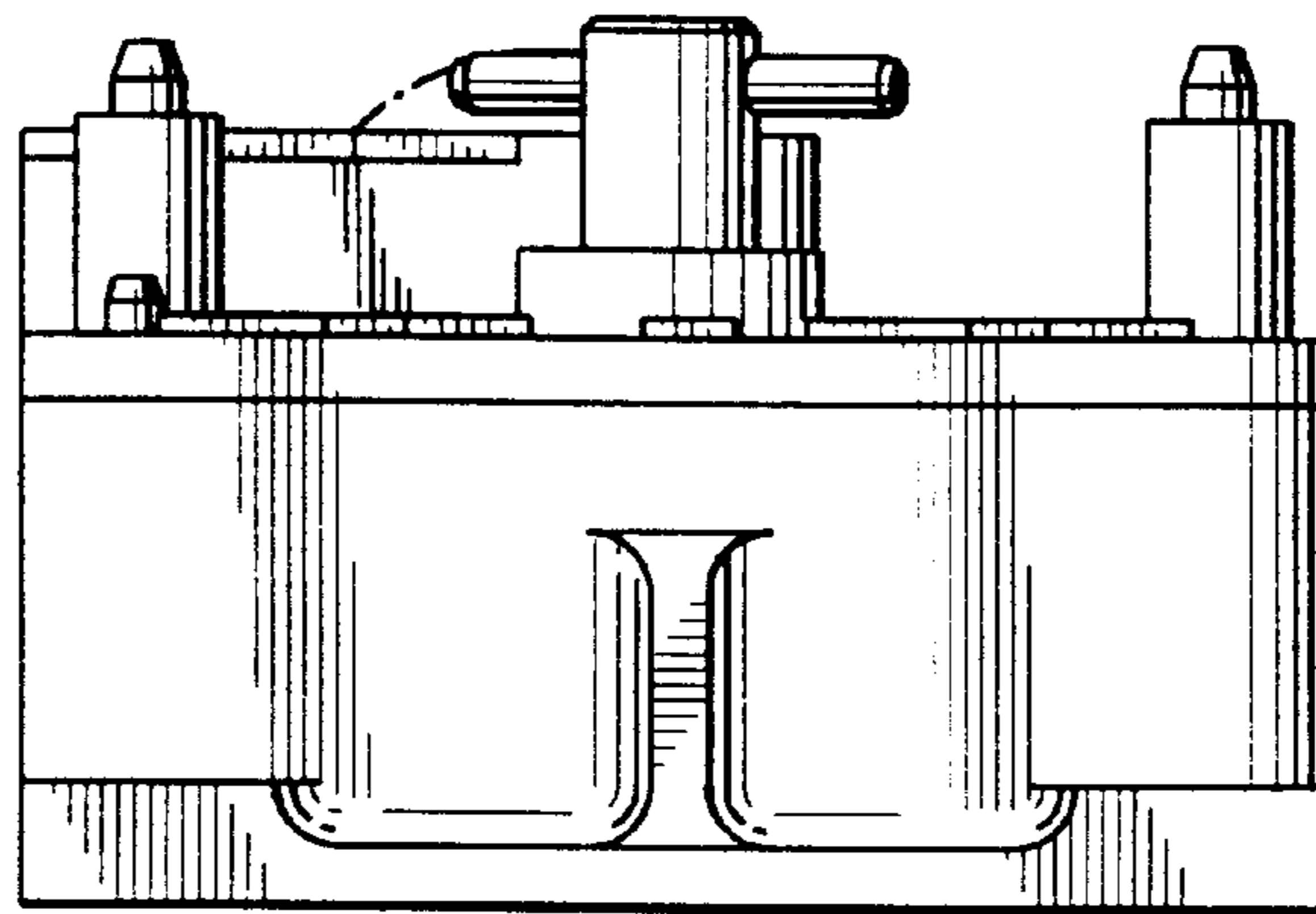
*FIG. 3*



*FIG. 4*



*FIG. 5*



*FIG. 6*

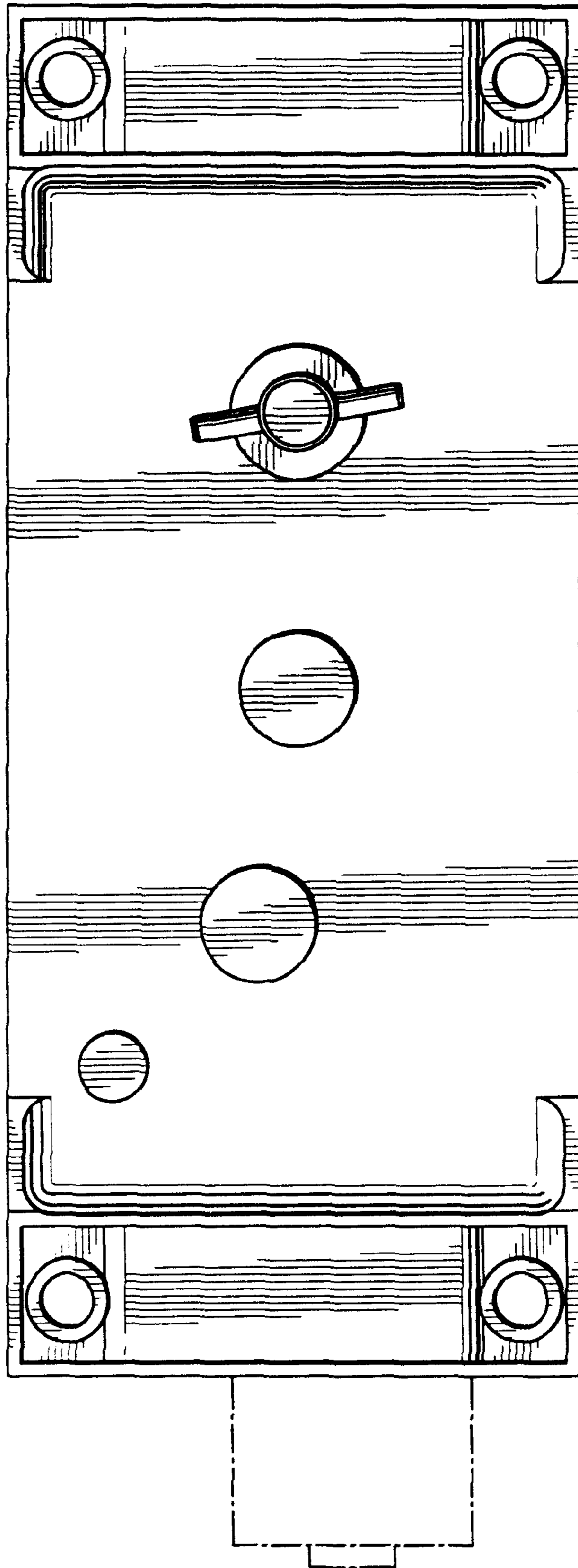


FIG. 7