

US00D451069B1

(12) **United States Design Patent**
Maggert et al.

(10) **Patent No.: US D451,069 S**

(45) **Date of Patent: ** *Nov. 27, 2001**

(54) **WEDGE BATTERY**

(75) Inventors: **Kevin Kurtis Maggert**, Lawrenceville;
Charles William Friedli, Duluth;
Micheal M. Austin, Lilburn, all of GA
(US)

(73) Assignee: **Motorola, Inc.**, Schaumburg, IL (US)

(*) Notice: This patent is subject to a terminal disclaimer.

(**) Term: **14 Years**

(21) Appl. No.: **29/102,752**

(22) Filed: **Mar. 31, 1999**

(51) **LOC (7) Cl. 13-02**

(52) **U.S. Cl. D13/103**

(58) **Field of Search D13/103; 361/683;**
429/96-100, 163, 176

(56) **References Cited**

U.S. PATENT DOCUMENTS

- D. 329,634 * 9/1992 Mizusugi et al. D13/103
- D. 349,484 * 8/1994 Kuzumoto et al. D13/103

- D. 405,755 * 2/1999 Arai et al. D13/103
- D. 406,561 * 3/1999 Goto D13/103
- 5,293,300 * 3/1994 Leung 361/683
- 5,677,827 * 10/1997 Yoshioka et al. 361/683
- 5,721,668 * 2/1998 Barrus et al. 361/683

* cited by examiner

Primary Examiner—Joel Sincavage

(74) *Attorney, Agent, or Firm*—Felipe J. Farley; Philip H. Burrus, IV

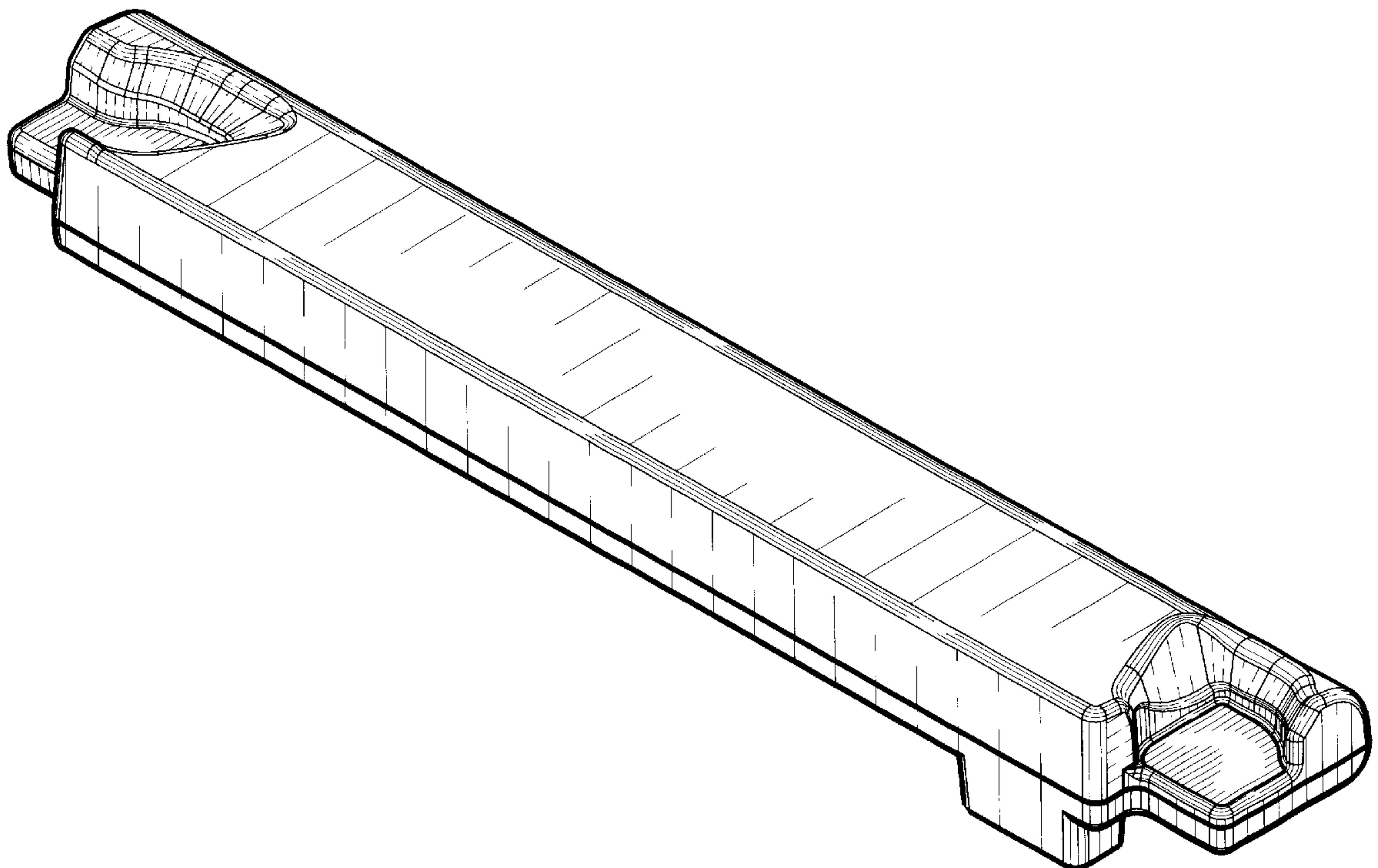
(57) **CLAIM**

The ornamental design for a wedge battery, as shown and described.

DESCRIPTION

FIG. 1 is a front right isometric view of a wedge battery showing our new design;
 FIG. 2 is a bottom right isometric view thereof;
 FIG. 3 is a top plan view thereof;
 FIG. 4 is a bottom plan view thereof;
 FIG. 5 is a side elevation view thereof;
 FIG. 6 is a side elevation view thereof;
 FIG. 7 is an end elevation view thereof; and,
 FIG. 8 is an end elevation view thereof.

1 Claim, 5 Drawing Sheets



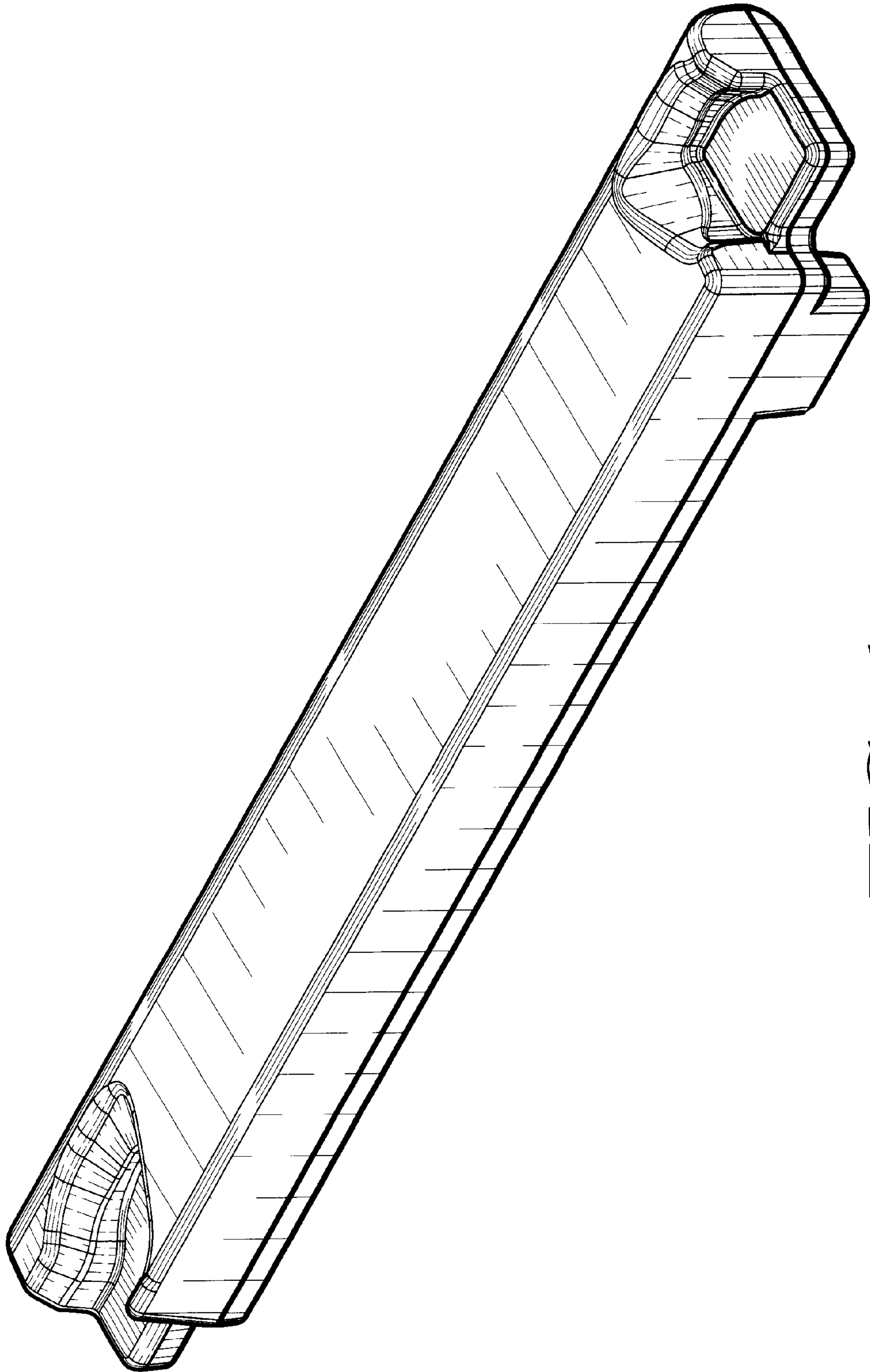


FIG. 1

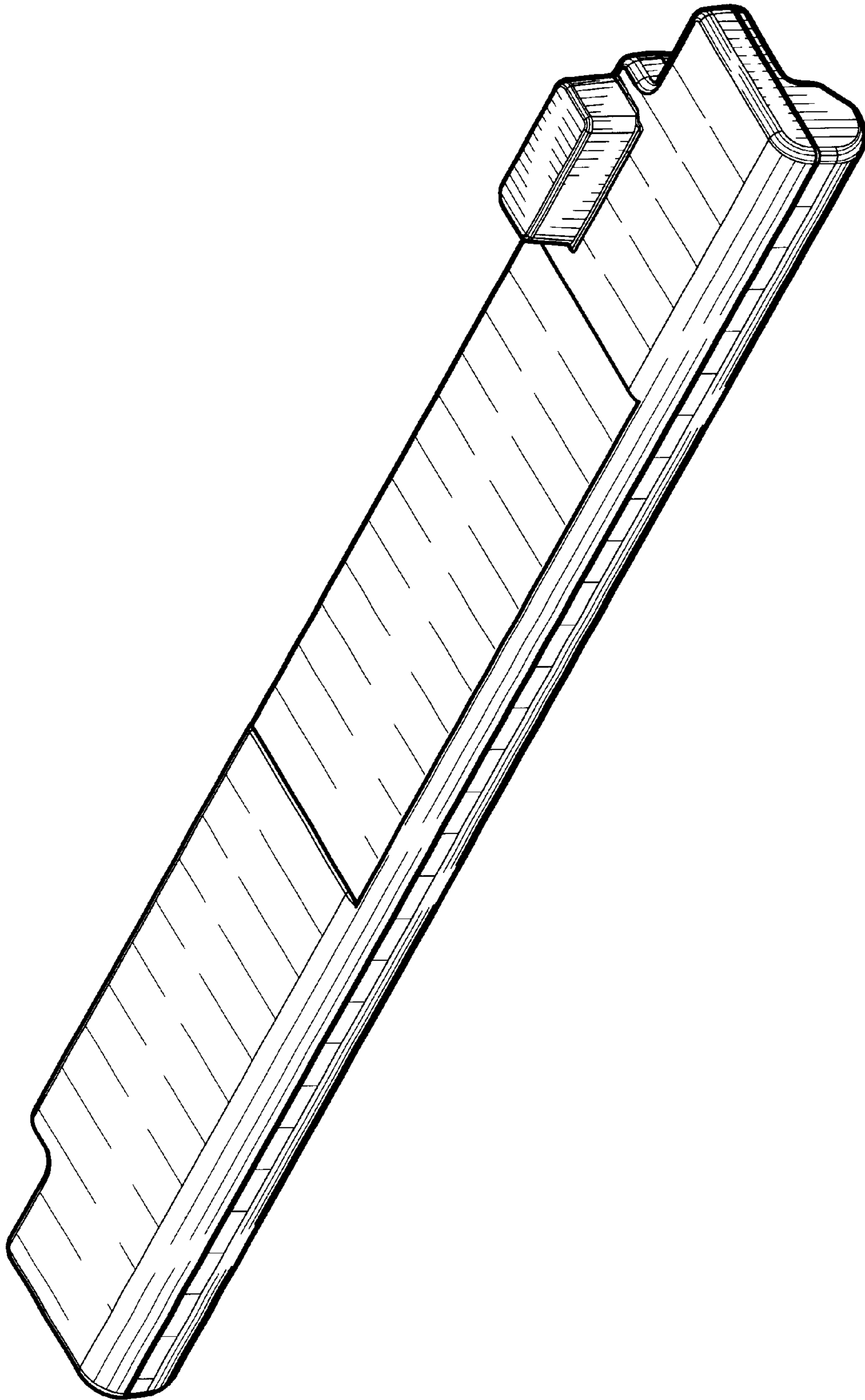


FIG. 2

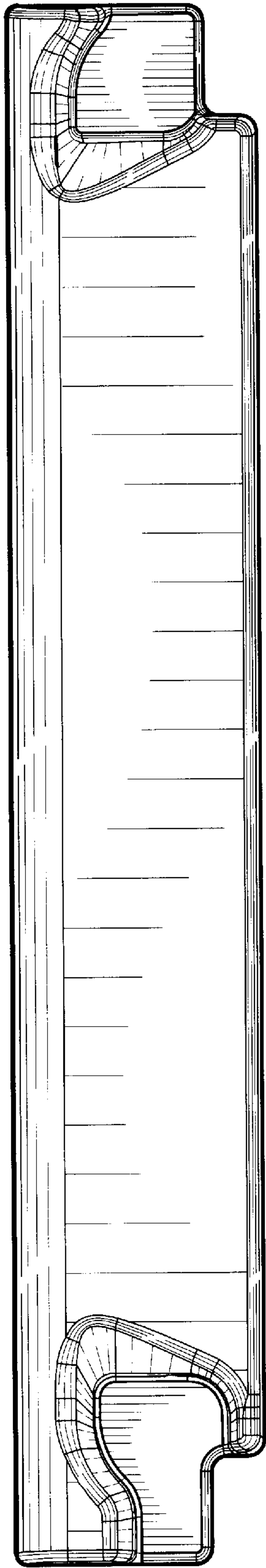


FIG. 3

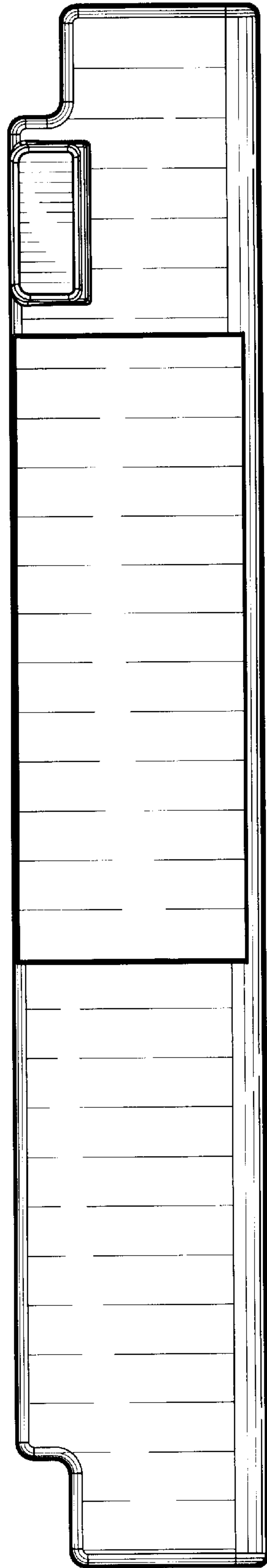


FIG. 4

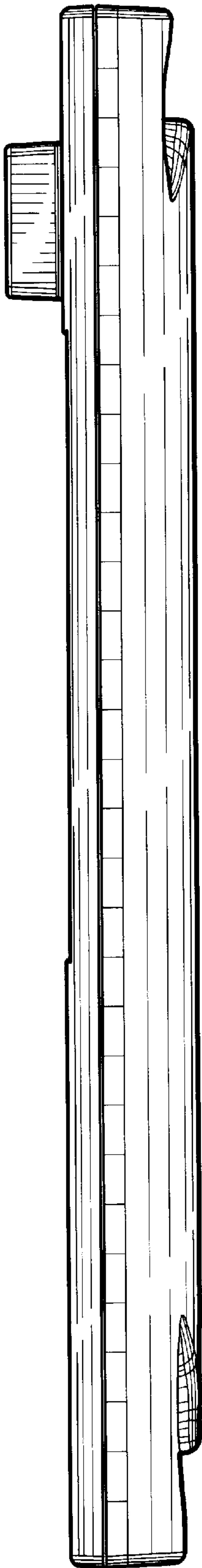


FIG. 5

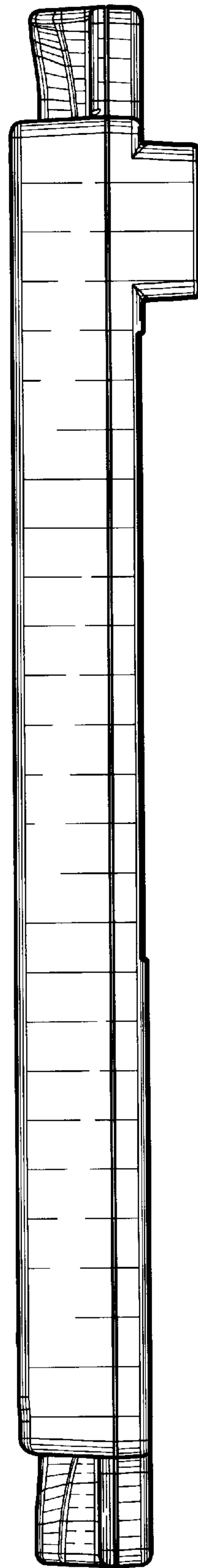


FIG. 6

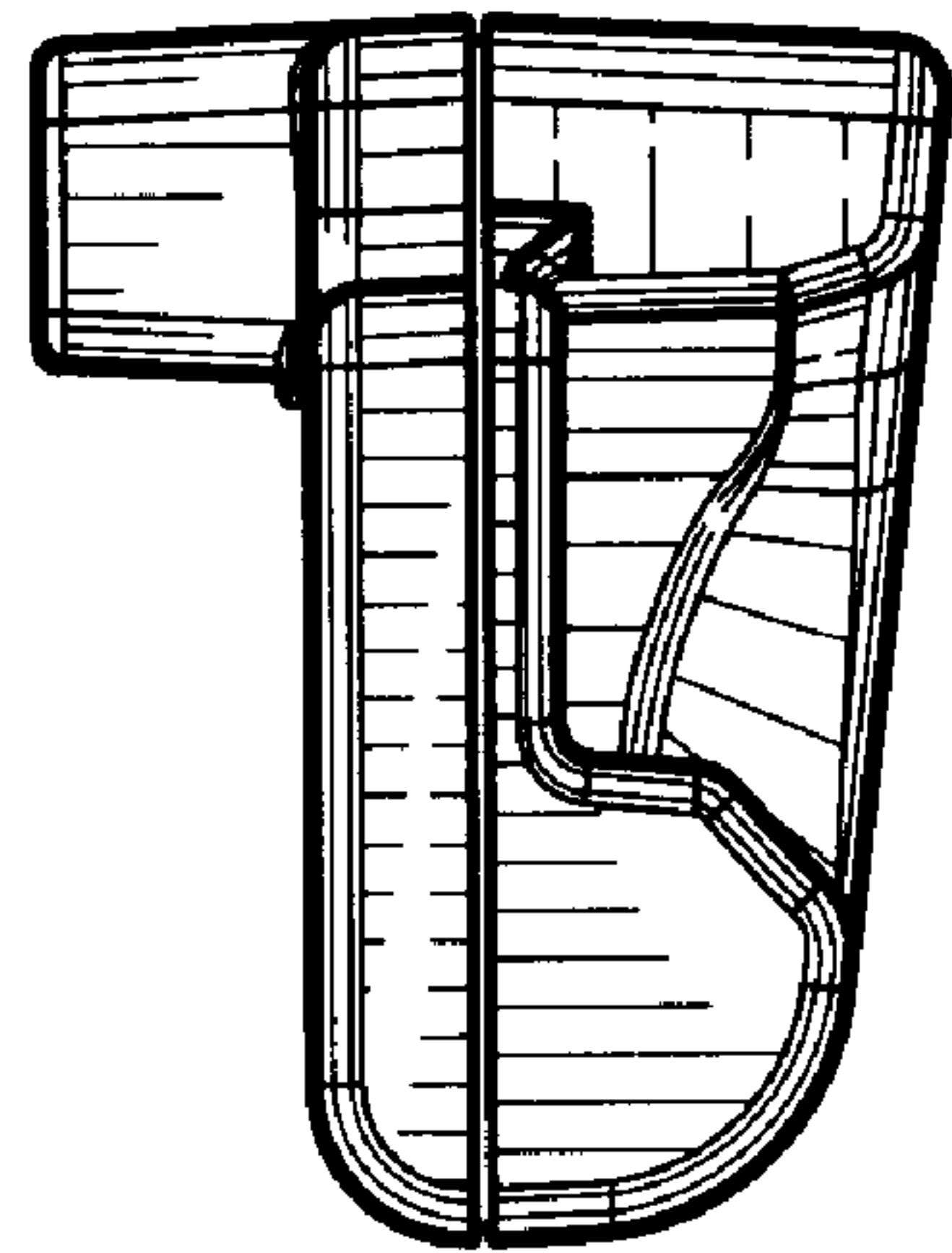


FIG. 7

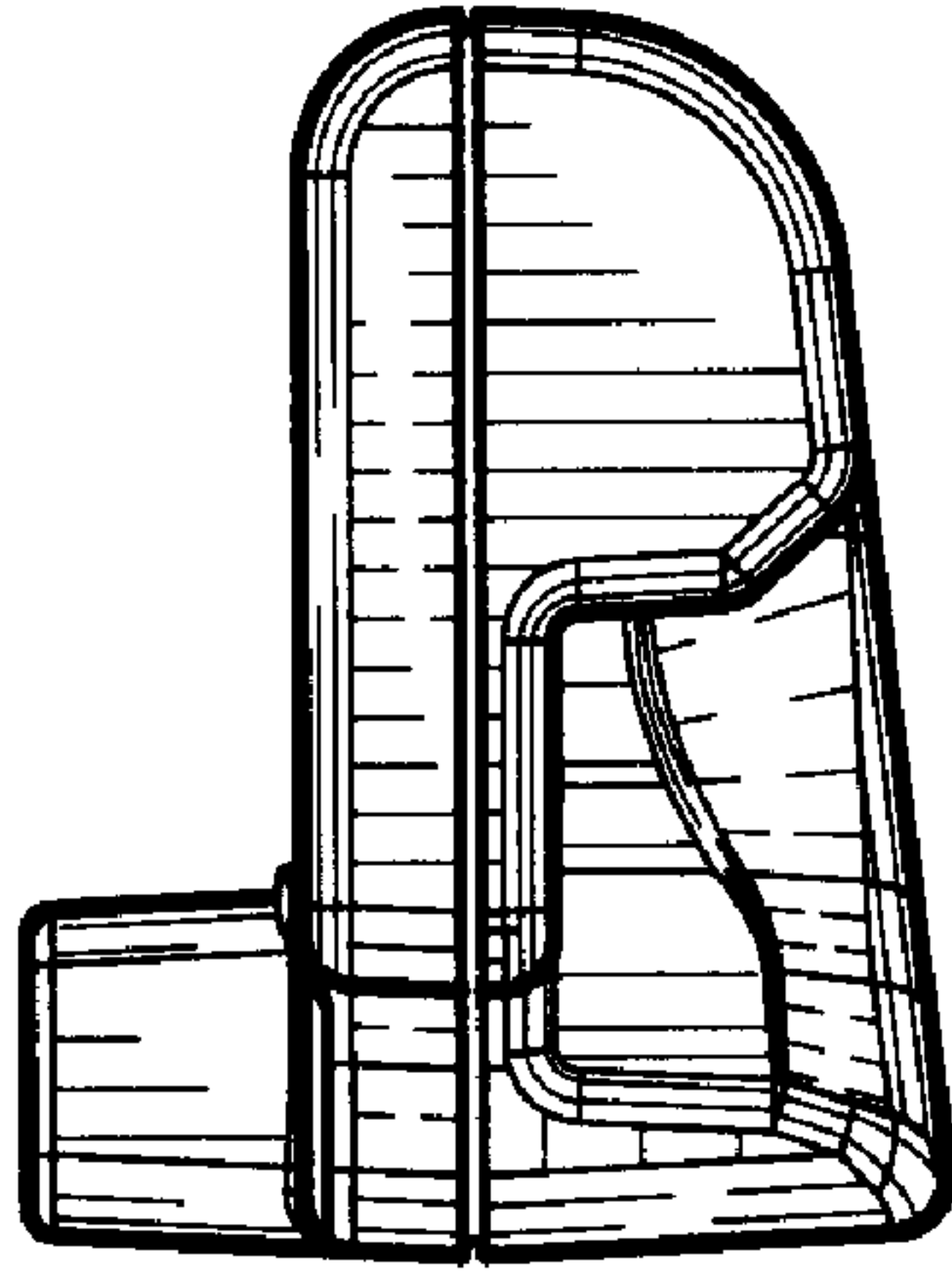


FIG. 8