



US00D451066B1

(12) **United States Design Patent**
Pfeiffer et al.

(10) **Patent No.:** **US D451,066 S**

(45) **Date of Patent:** **** Nov. 27, 2001**

(54) **FRONT FACE OF A VEHICLE WHEEL**

(75) Inventors: **Peter Pfeiffer**, Boeblingen; **Murat Guenak**, Ehningen; **Hans-Dieter Futschik**, Gechingen, all of (DE)

(73) Assignee: **DaimlerChrysler AG**, Stuttgart (DE)

(**) Term: **14 Years**

(21) Appl. No.: **29/128,438**

(22) Filed: **Aug. 24, 2000**

(30) **Foreign Application Priority Data**

Feb. 24, 2000 (DE) 400 01 900

(51) **LOC (7) Cl.** **12-16**

(52) **U.S. Cl.** **D12/211**

(58) **Field of Search** D12/204-211;
301/37.1, 64.1, 65

(56) **References Cited**

U.S. PATENT DOCUMENTS

D. 84,319	*	6/1931	Beutke et al.	D12/209
D. 84,322	*	6/1931	Beutke et al.	D12/209
D. 337,563	*	7/1993	Boselli	D12/209
D. 360,179	*	7/1995	Fuller	D12/211
D. 388,047	*	12/1997	Pfeiffer et al.	D12/211
D. 396,208	*	7/1998	Baumgartner et al.	D12/211
D. 401,899	*	12/1998	Pfeiffer	D12/209
D. 407,681	*	4/1999	Sacco et al.	D12/209
D. 408,346	*	4/1999	Goplen	D12/211

D. 418,473	*	1/2000	Chung	D12/211
D. 420,967	*	2/2000	Sacco et al.	D12/209
D. 424,500	*	5/2000	Johnson	D12/209
D. 425,847	*	5/2000	Iguchi	D12/209
D. 427,131	*	6/2000	Wang	D12/211
D. 432,480	*	10/2000	Chung	D12/209
D. 438,165	*	2/2001	Echazabal	D12/211
D. 441,706	*	5/2001	Pfeiffer	D12/209
D. 442,532	*	5/2001	Chung	D12/209

* cited by examiner

Primary Examiner—Stacia Cadmus

(74) *Attorney, Agent, or Firm*—Crowell & Moring LLP

(57) **CLAIM**

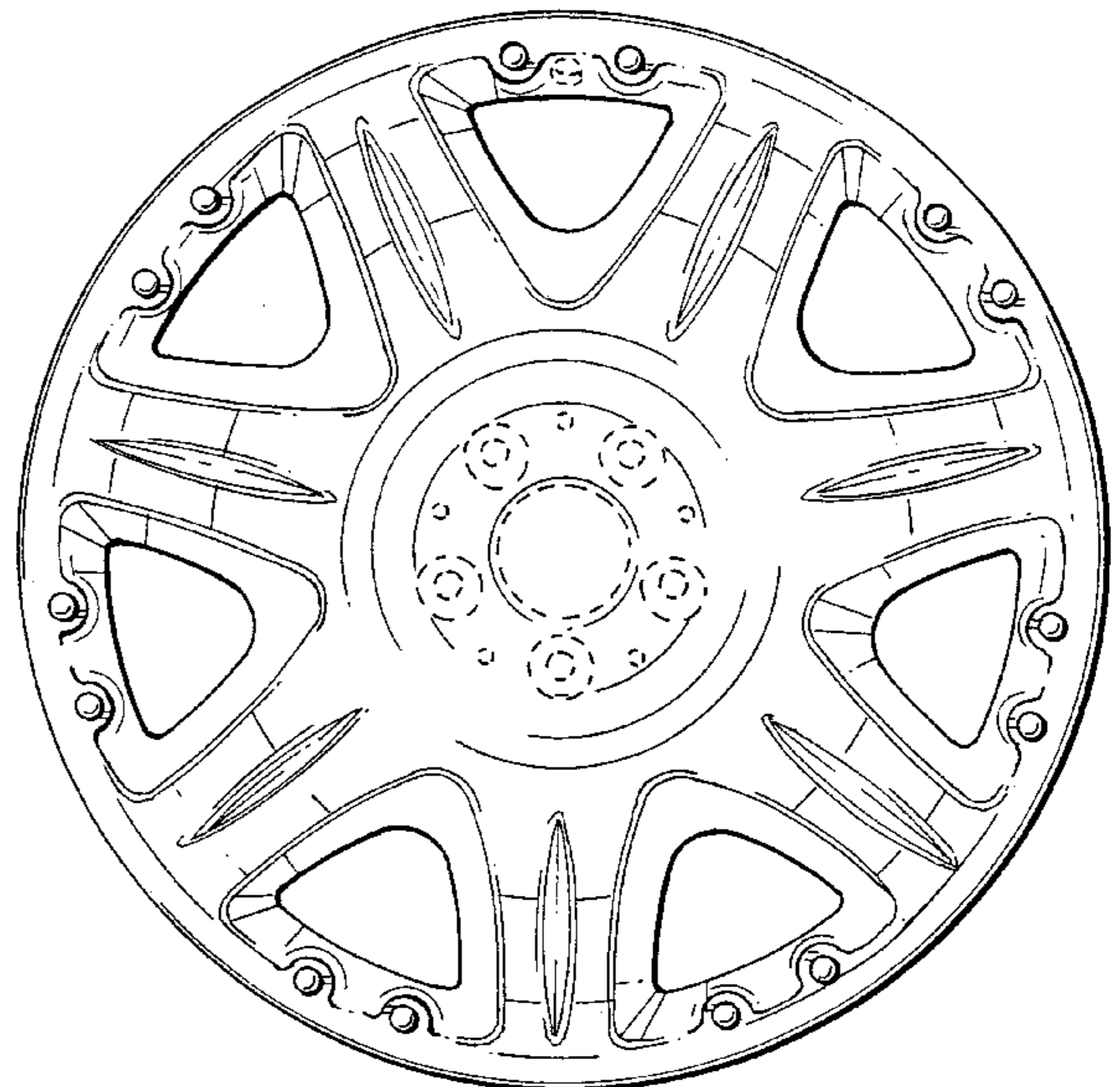
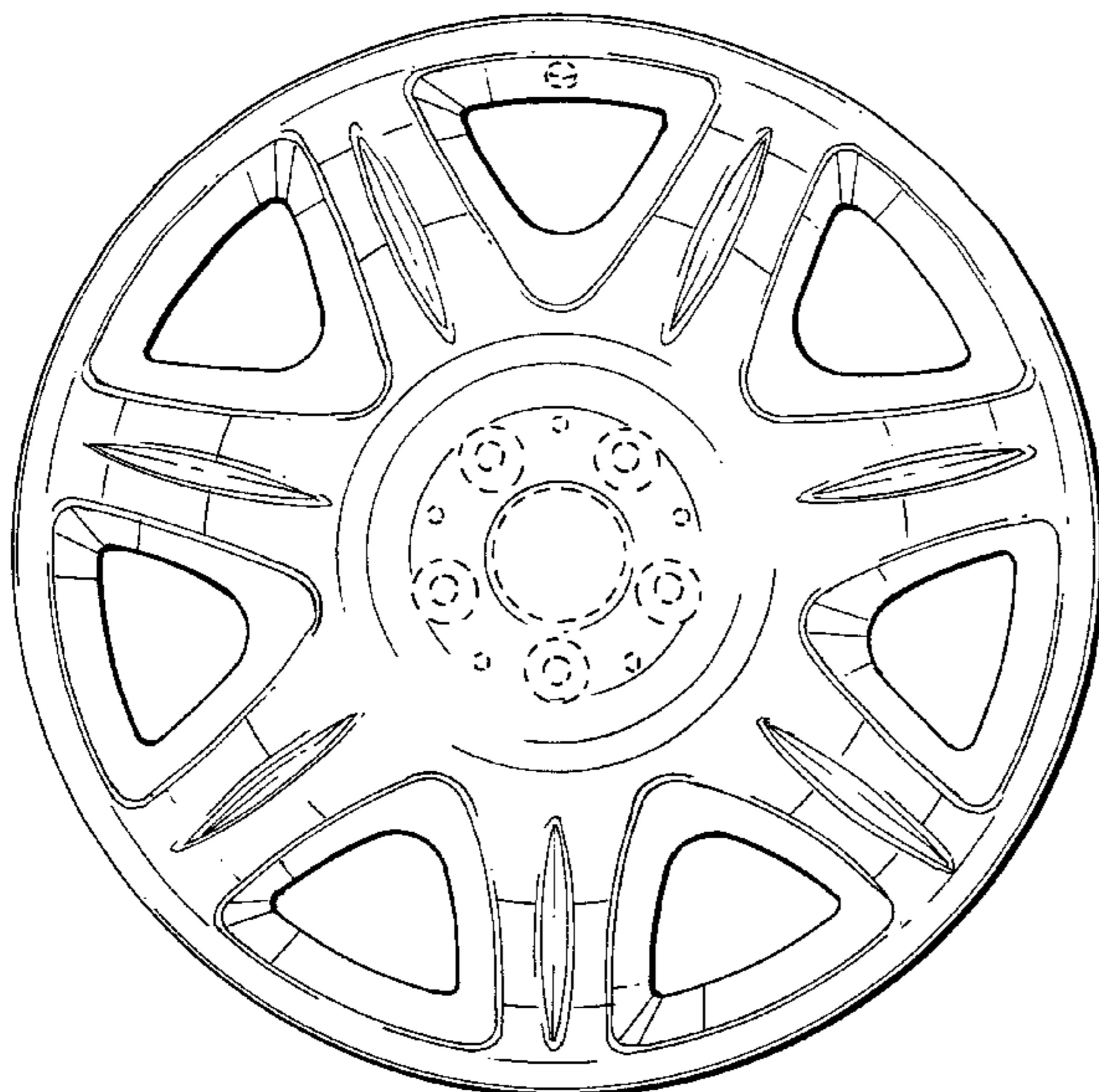
The ornamental design for a front face of a vehicle wheel, as shown and described.

DESCRIPTION

FIG. 1 is a front view of a first embodiment of a front face of a vehicle wheel according to our novel design; FIG. 2 is a perspective view of the first embodiment of the front face of a vehicle wheel according to our novel design; FIG. 3 is a front view of a second embodiment of the front face of a vehicle wheel according to our novel design; and, FIG. 4 is a perspective view of the second embodiment of the front face of a vehicle wheel according to our novel design.

The dash lines included depict environment and are not part of the claimed design.

1 Claim, 2 Drawing Sheets



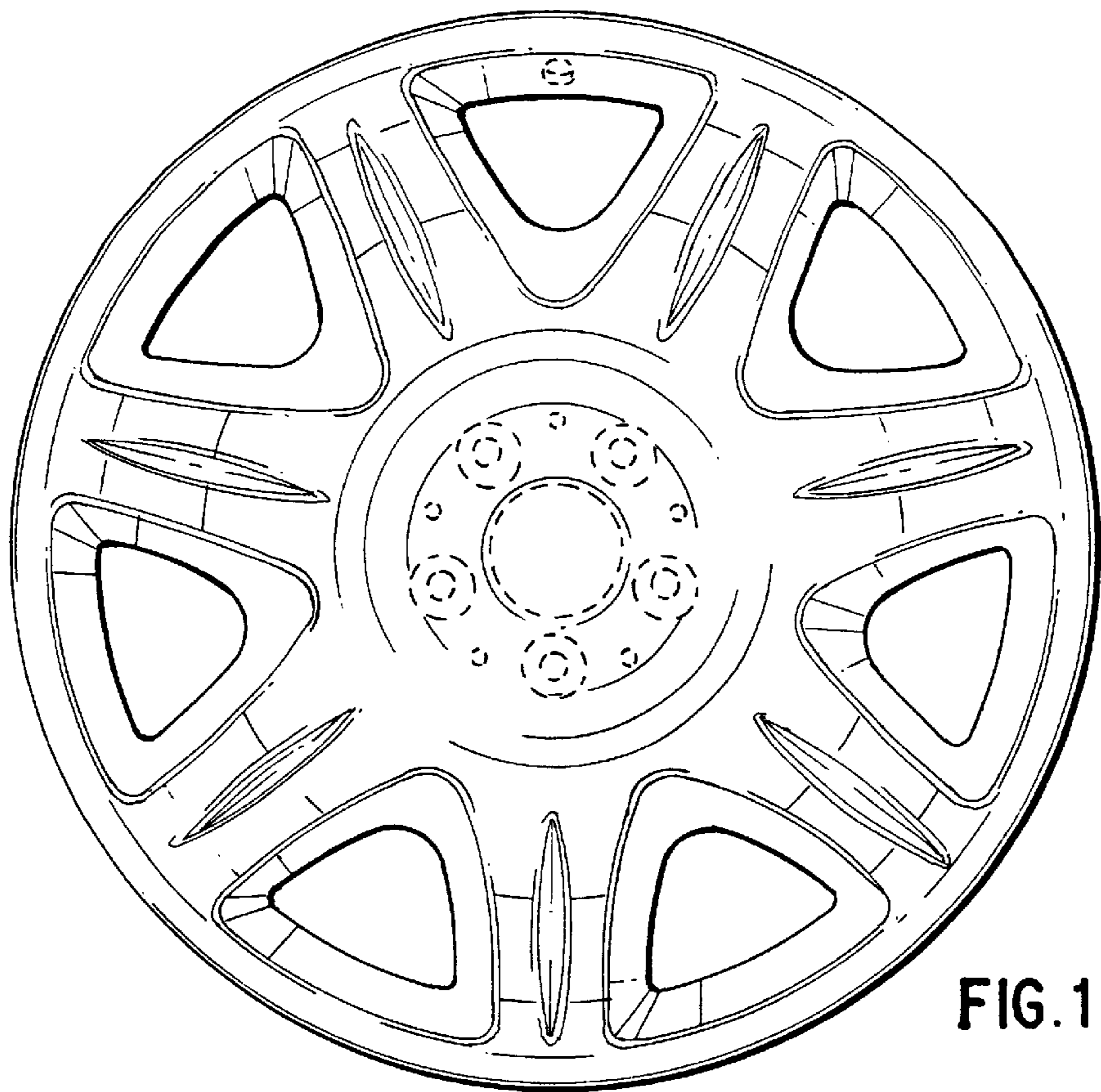


FIG. 1

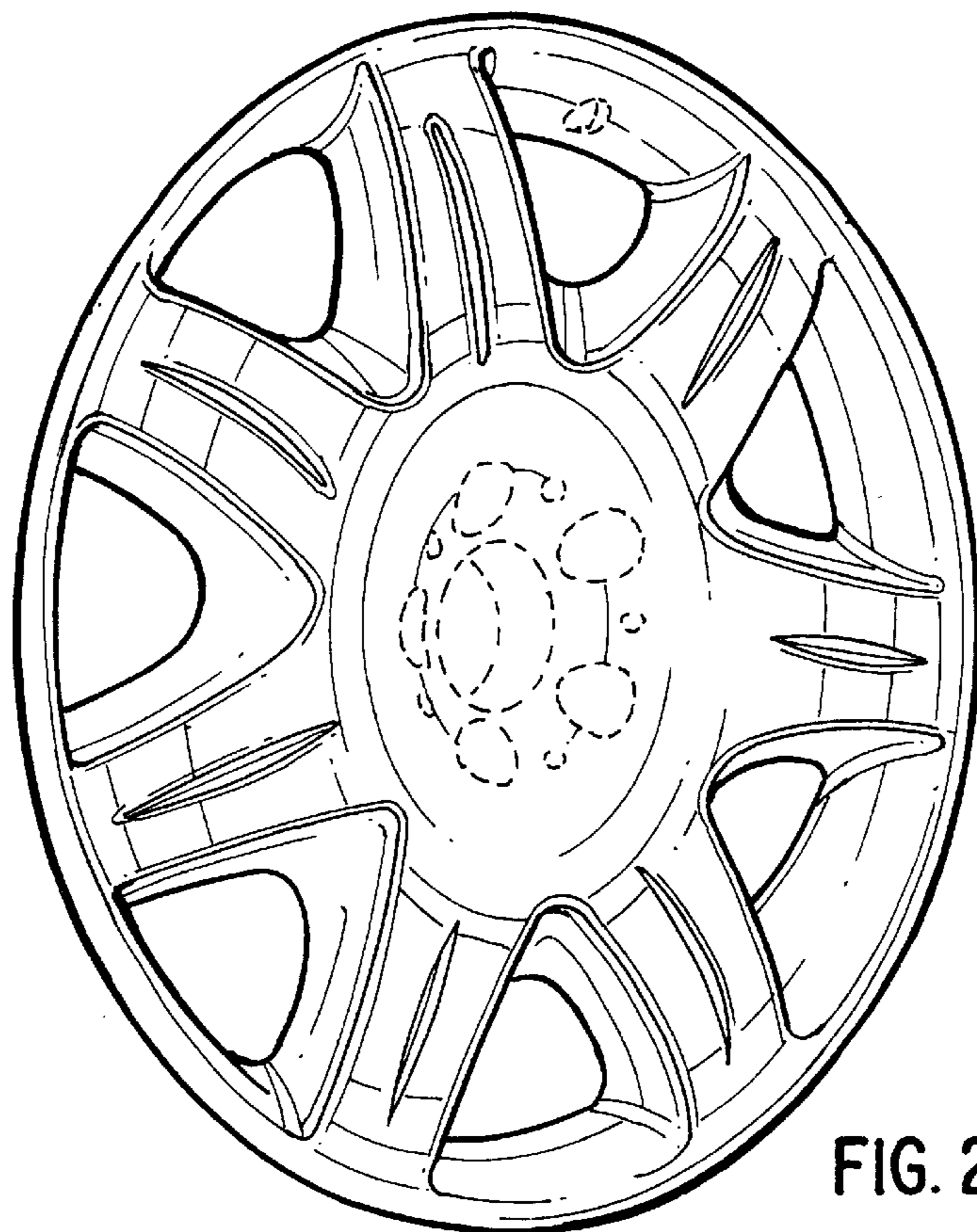


FIG. 2

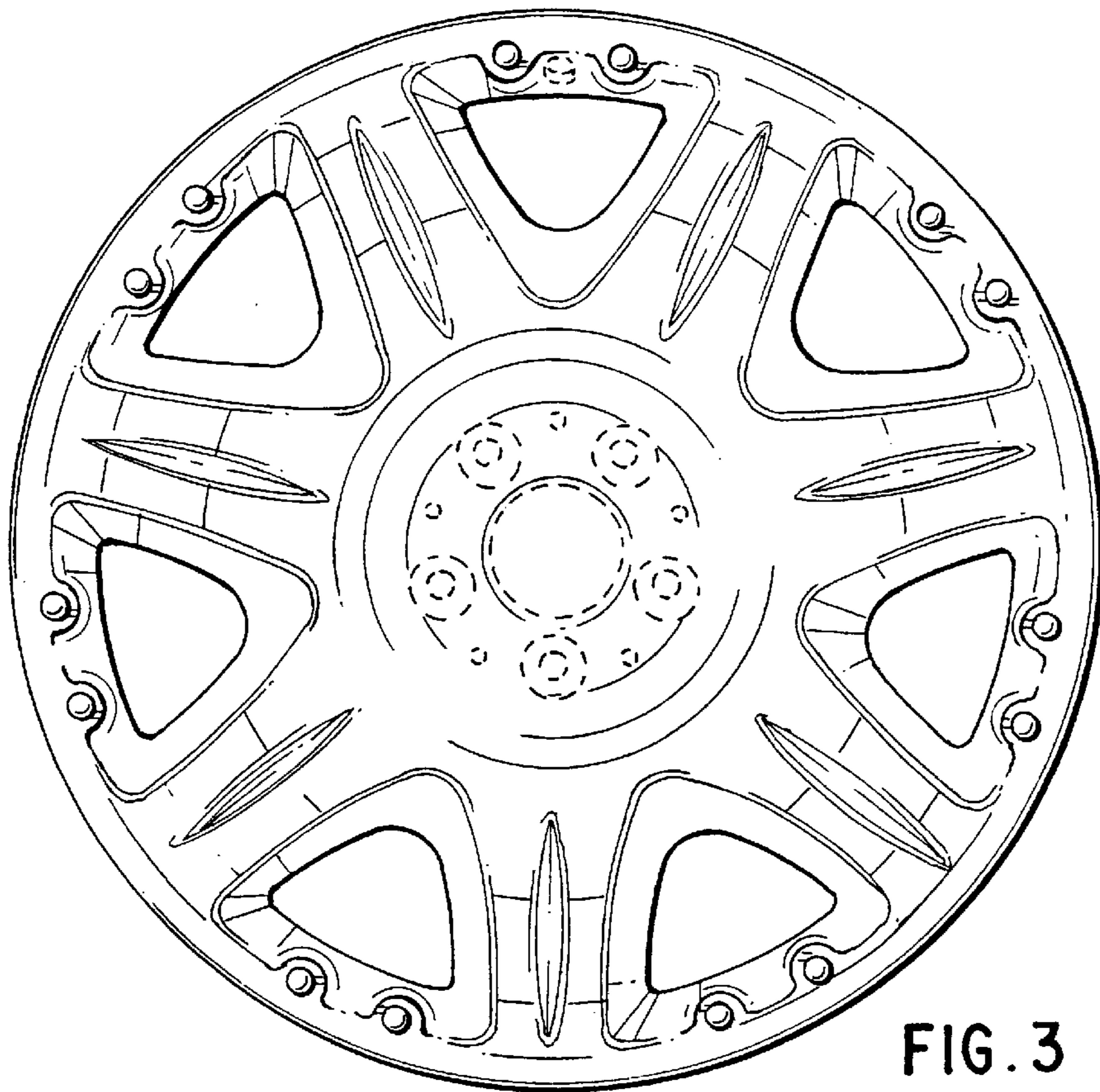


FIG. 3

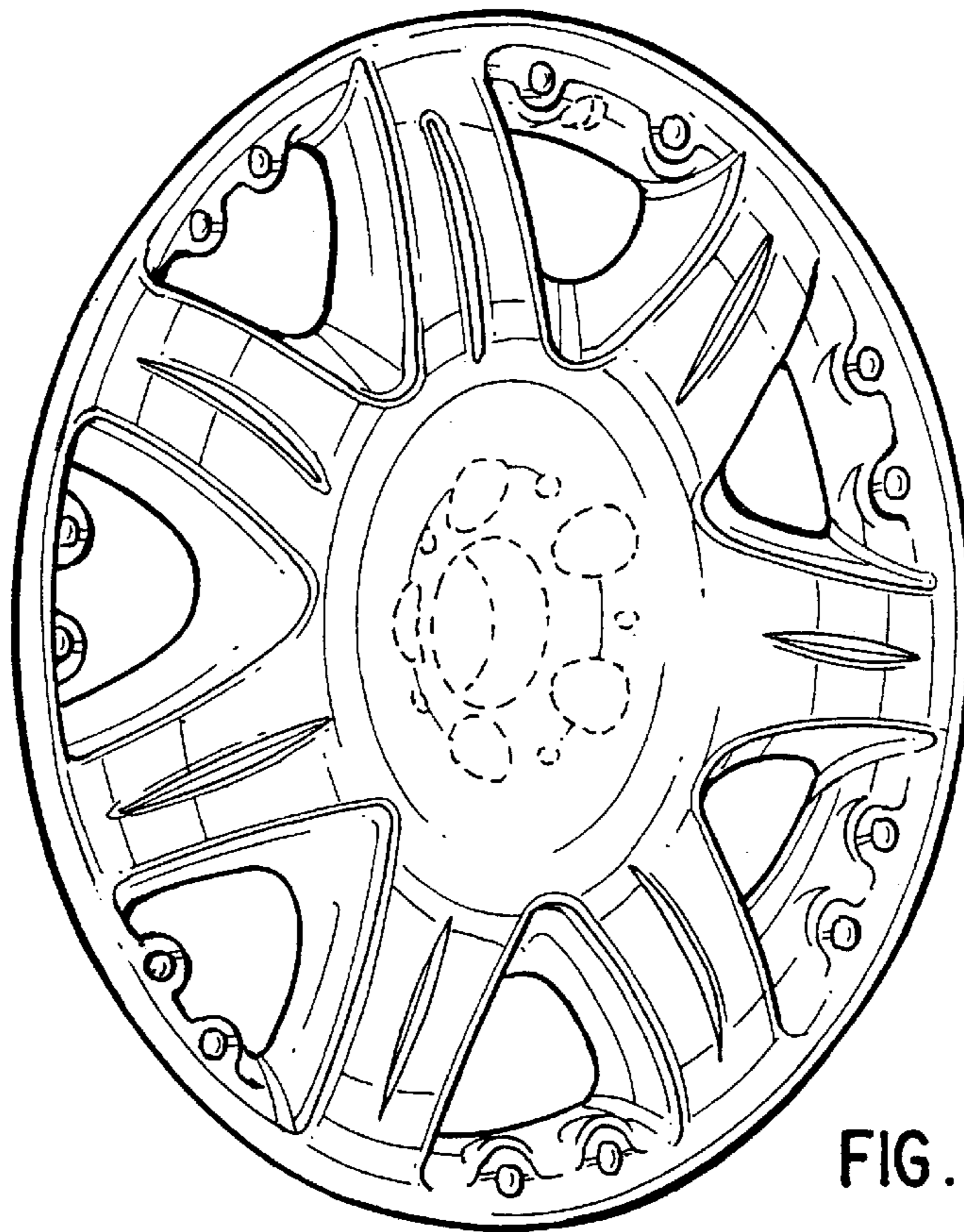


FIG. 4