



US00D451065B1

(12) **United States Design Patent**
Braun

(10) **Patent No.:** **US D451,065 S**

(45) **Date of Patent:** **** Nov. 27, 2001**

(54) **FRONT FACE OF A VEHICLE WHEEL**

(75) **Inventor:** **Christian Braun, Wimsheim (DE)**

(73) **Assignee:** **Dr. Ing. h.c.F. Porsche
Aktiengesellschaft, Stuttgart (DE)**

(**) **Term:** **14 Years**

(21) **Appl. No.:** **29/121,940**

(22) **Filed:** **Apr. 13, 2000**

(30) **Foreign Application Priority Data**

Nov. 17, 1999 (DE) 4 99 10 629

(51) **LOC (7) Cl.** **12-16**

(52) **U.S. Cl.** **D12/211**

(58) **Field of Search** D12/204-211;
301/37.1, 64.1, 65

(56) **References Cited**

U.S. PATENT DOCUMENTS

- D. 323,138 * 1/1992 Malmgren et al. D12/211
- D. 351,582 * 10/1994 Echazabel et al. D12/209
- D. 371,100 * 6/1996 Hatter D12/209
- D. 375,716 * 11/1996 Dehner D12/209
- D. 382,847 * 8/1997 Starr et al. D12/209
- D. 384,022 * 9/1997 Hatter D12/209
- D. 384,630 * 10/1997 Bhambra D12/209
- D. 384,929 * 10/1997 Neeper D12/209
- D. 388,390 * 12/1997 Chung D12/209
- D. 390,180 * 2/1998 Dehner D12/209
- D. 400,153 * 10/1998 Bhambra D12/209

- D. 409,546 * 5/1999 Stark D12/209
- D. 409,966 * 5/1999 Chung D12/209
- D. 425,470 * 5/2000 Pfeiffer et al. D12/209
- D. 428,377 * 7/2000 Kubosaki et al. D12/209
- D. 430,841 * 9/2000 Tanghetti D12/209

* cited by examiner

Primary Examiner—Stacia Cadmus

(74) *Attorney, Agent, or Firm*—Crowell & Moring LLP

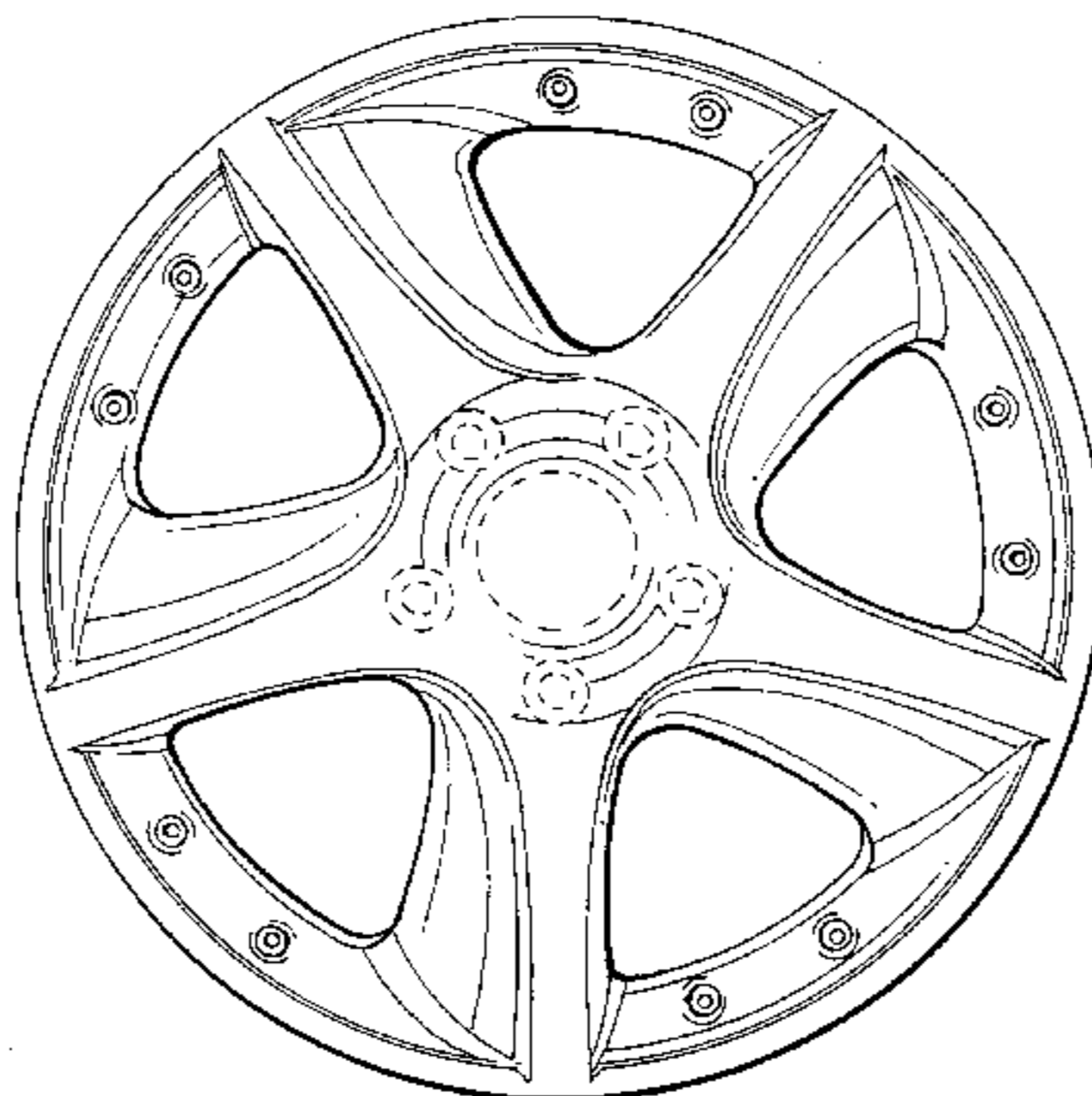
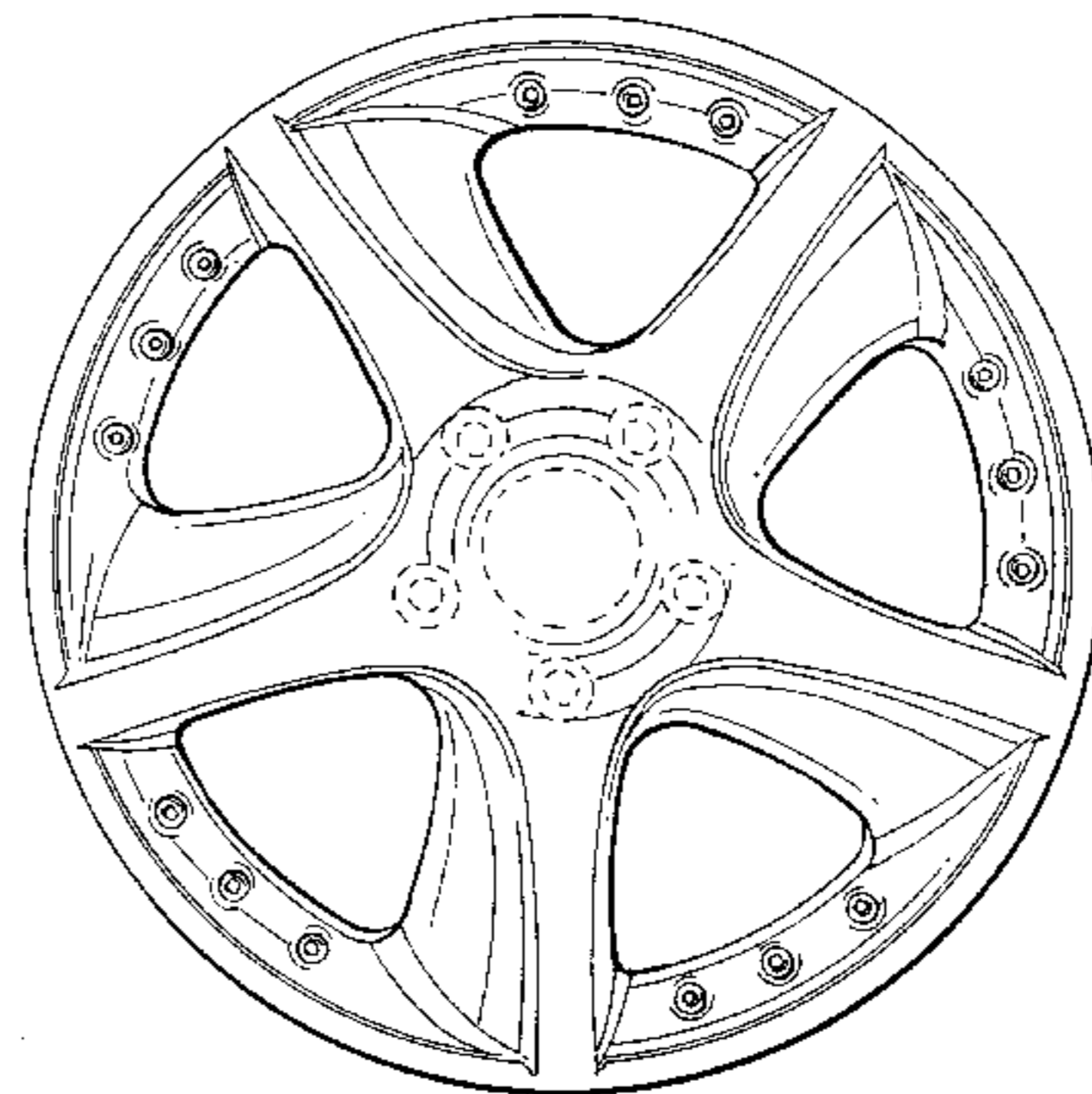
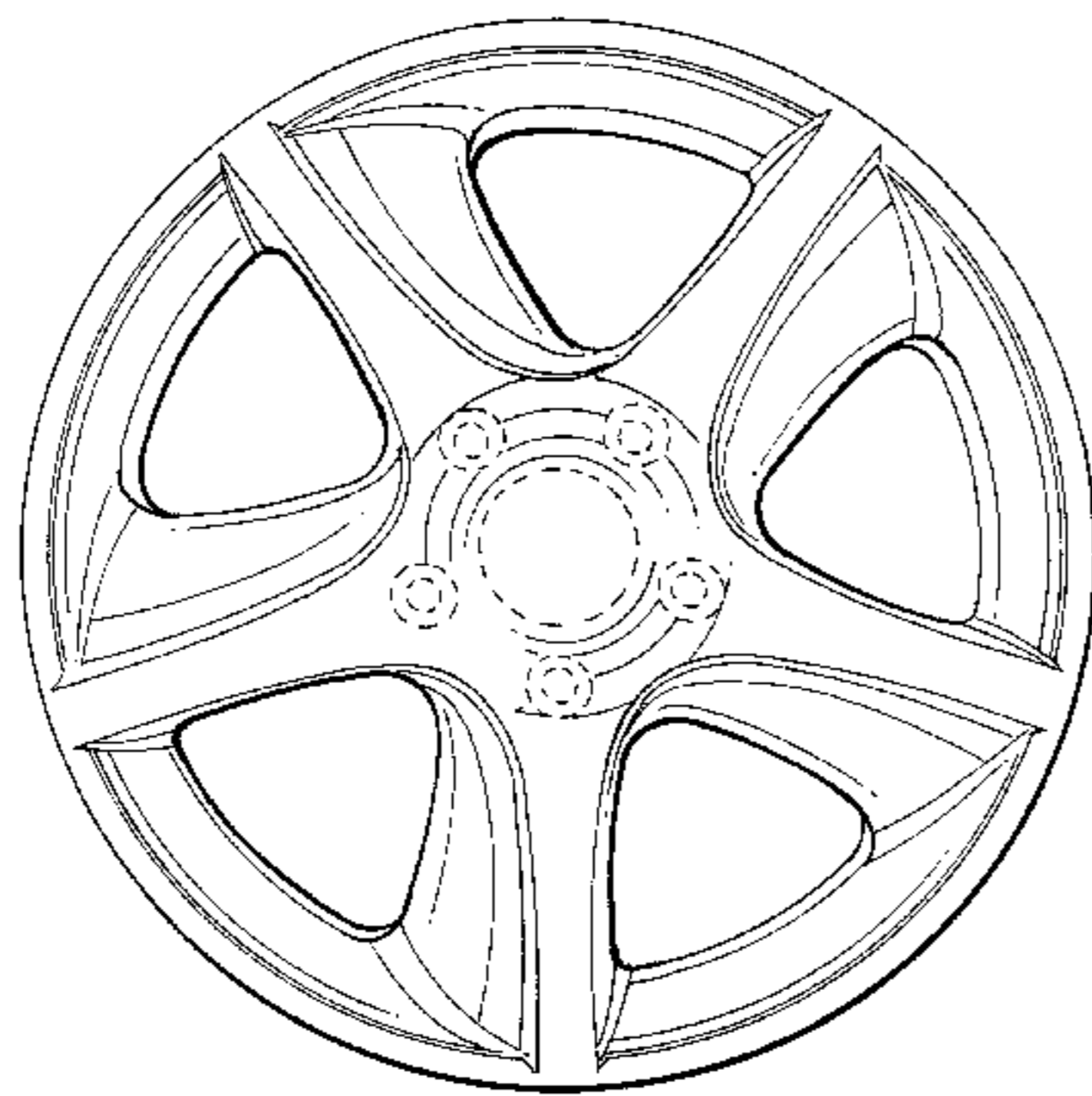
(57) **CLAIM**

The ornamental design for a front face of a vehicle wheel, as shown and described.

DESCRIPTION

FIG. 1 is a perspective view of a first embodiment of a front face of a vehicle wheel according to my novel design; FIG. 2 is a front view of the first embodiment of the front face of a vehicle wheel according to my novel design; FIG. 3 is a perspective view of a second embodiment of the front face of a vehicle wheel according to my novel design; FIG. 4 is a front view of the second embodiment of the front face of a vehicle wheel according to my novel design; FIG. 5 is a perspective view of a third embodiment of the front face of a vehicle wheel according to my novel design; and, FIG. 6 is a front view of the third embodiment of the front face of a vehicle wheel according to my novel design. The dash lines included depict environment and are not part of the claimed design.

1 Claim, 3 Drawing Sheets



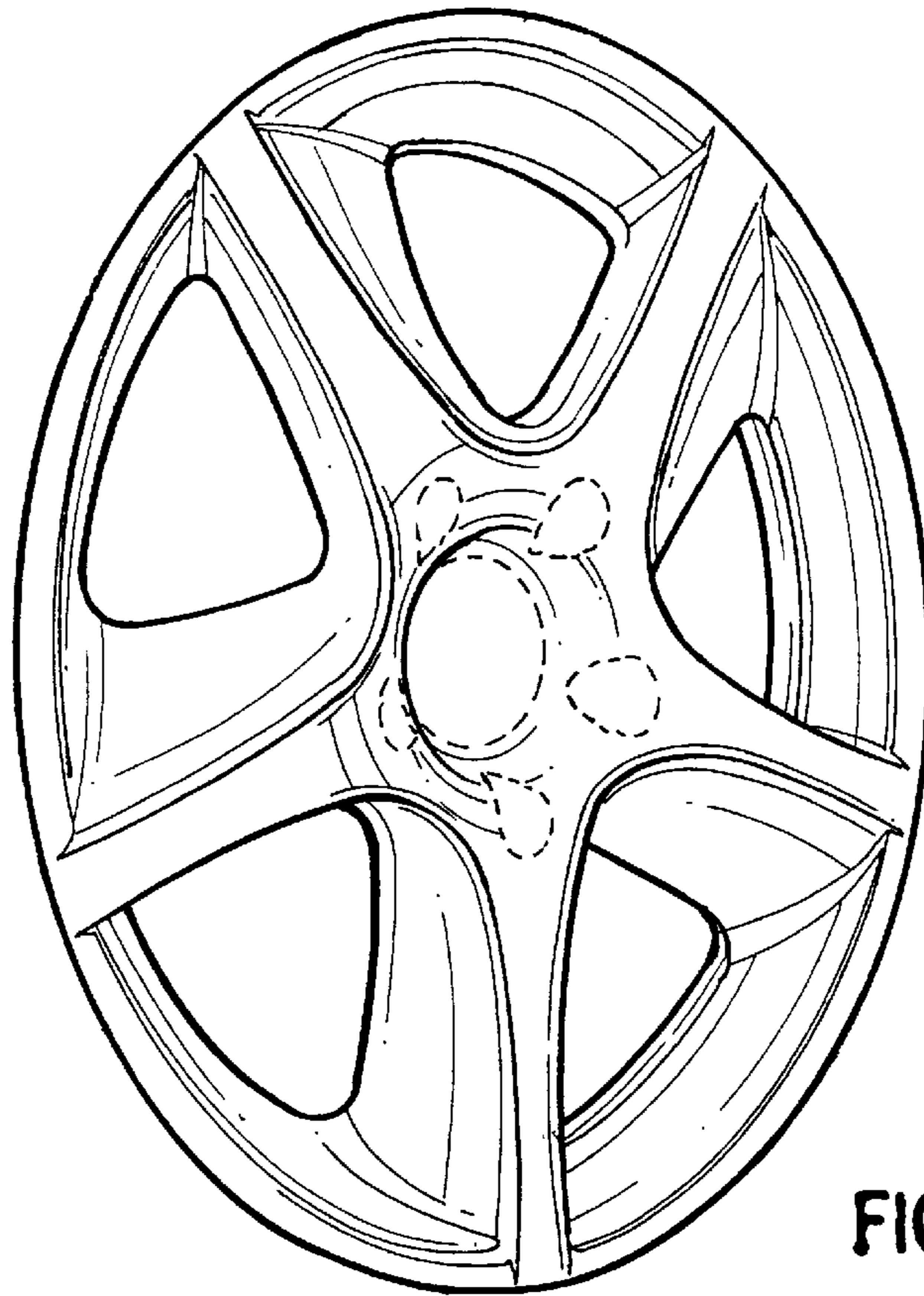


FIG. 1

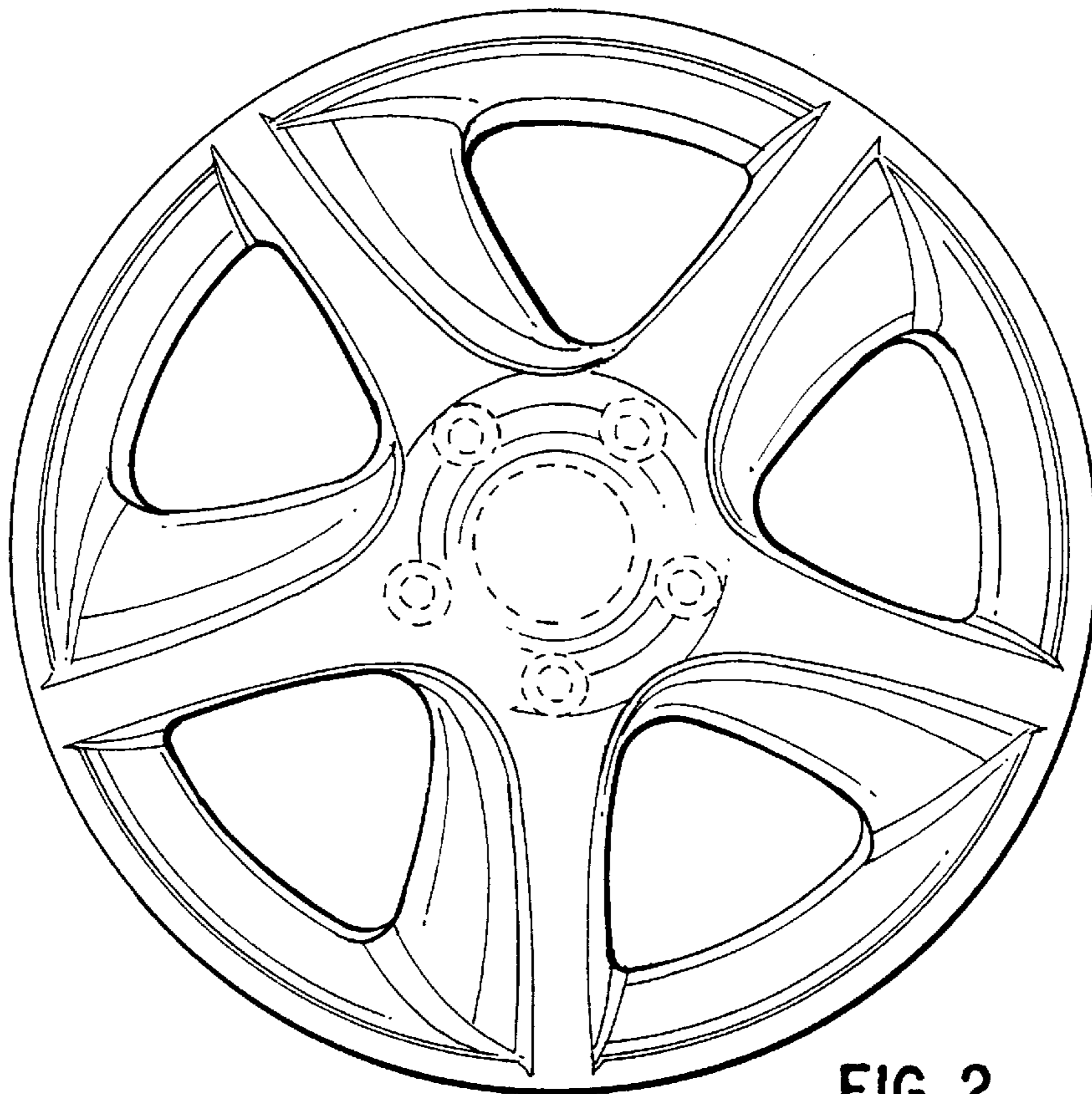


FIG. 2

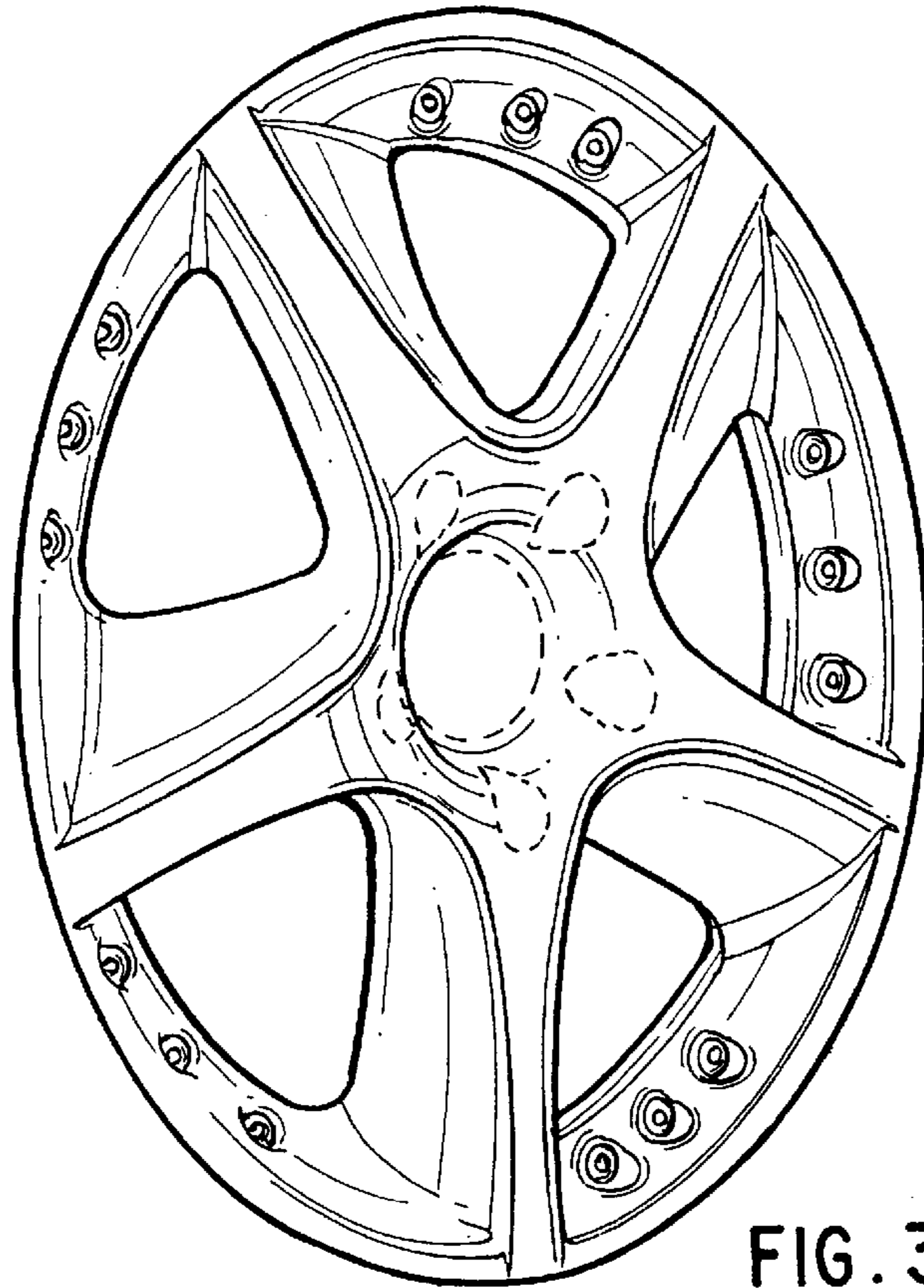


FIG. 3

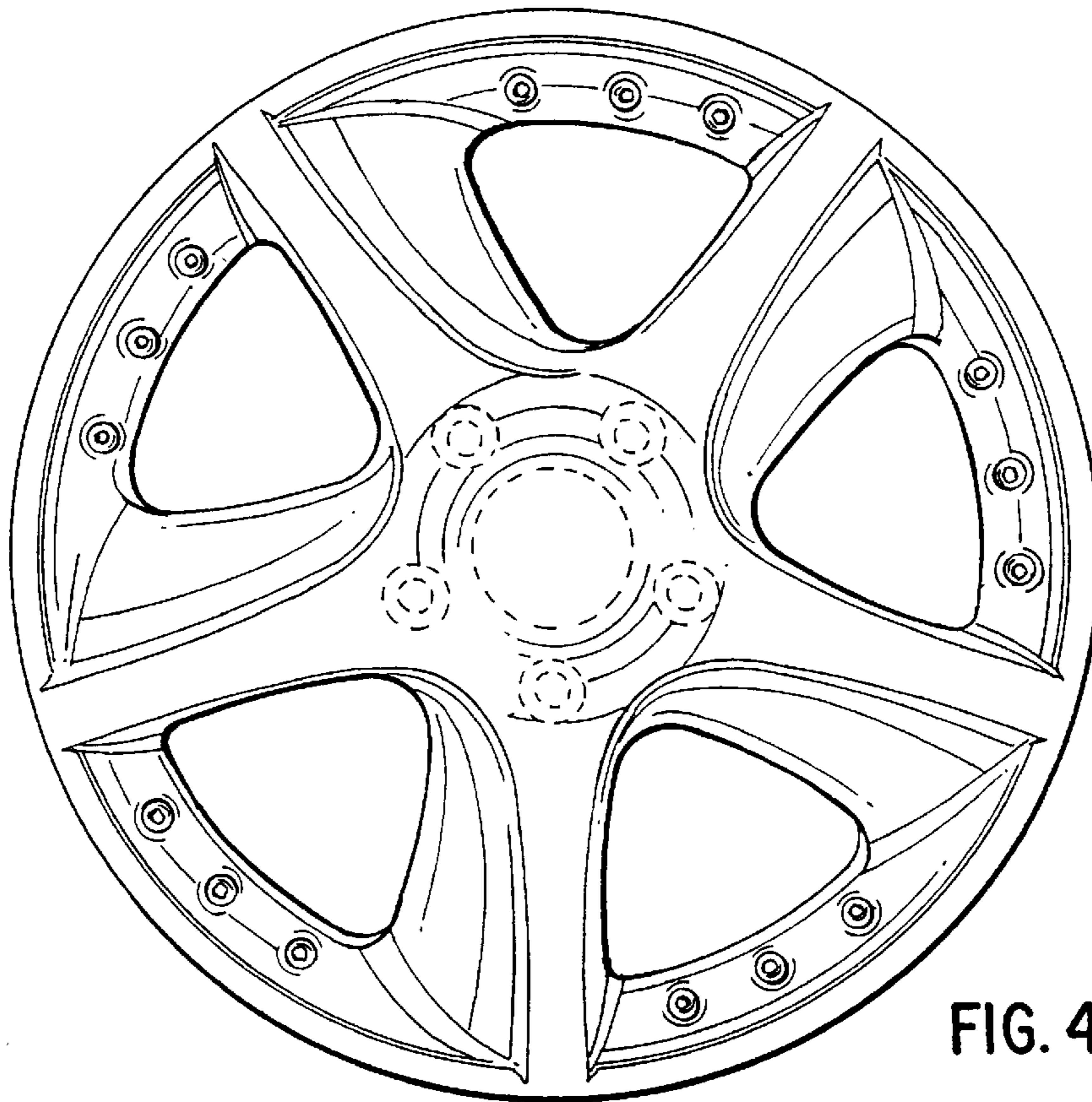


FIG. 4

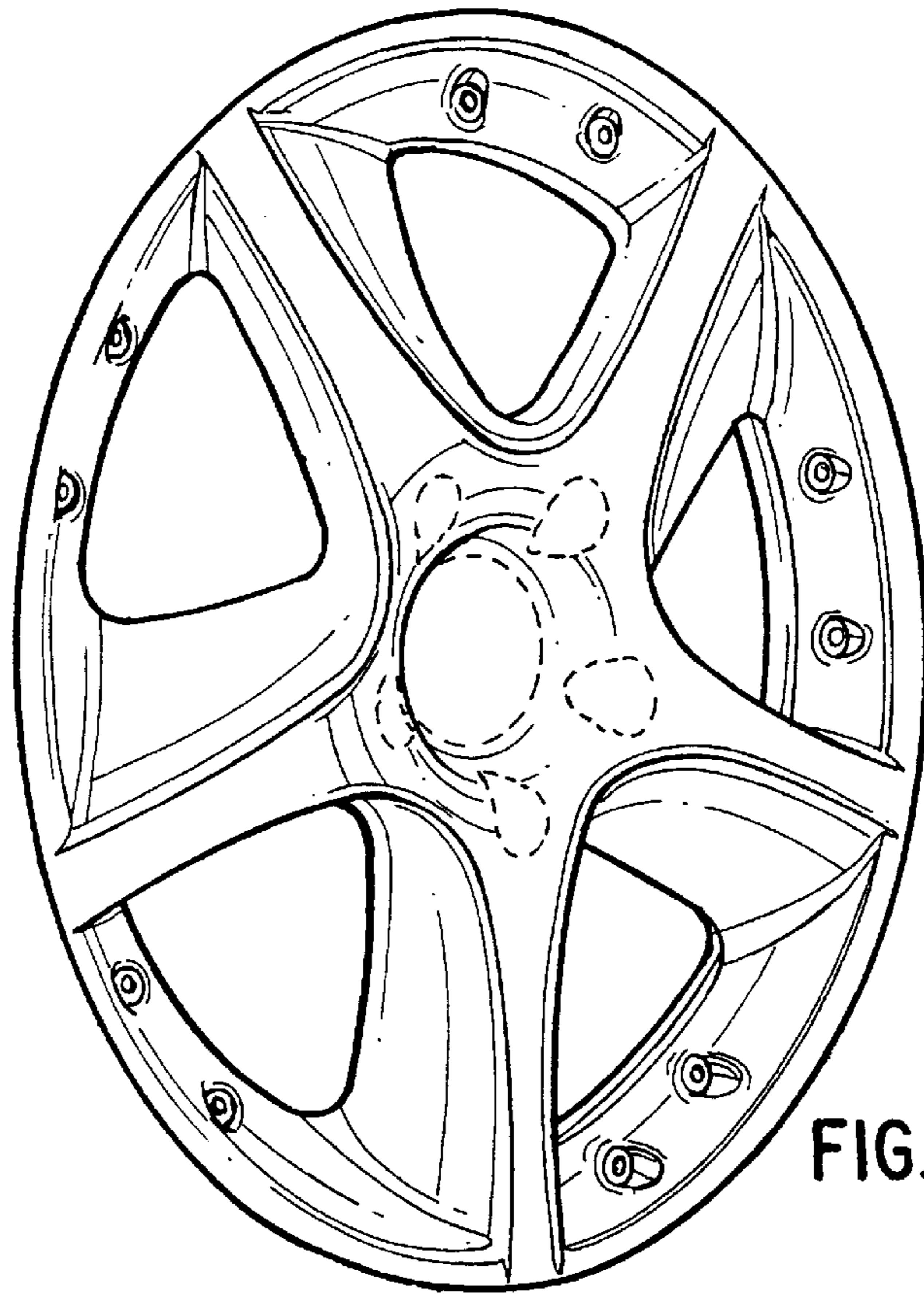


FIG. 5

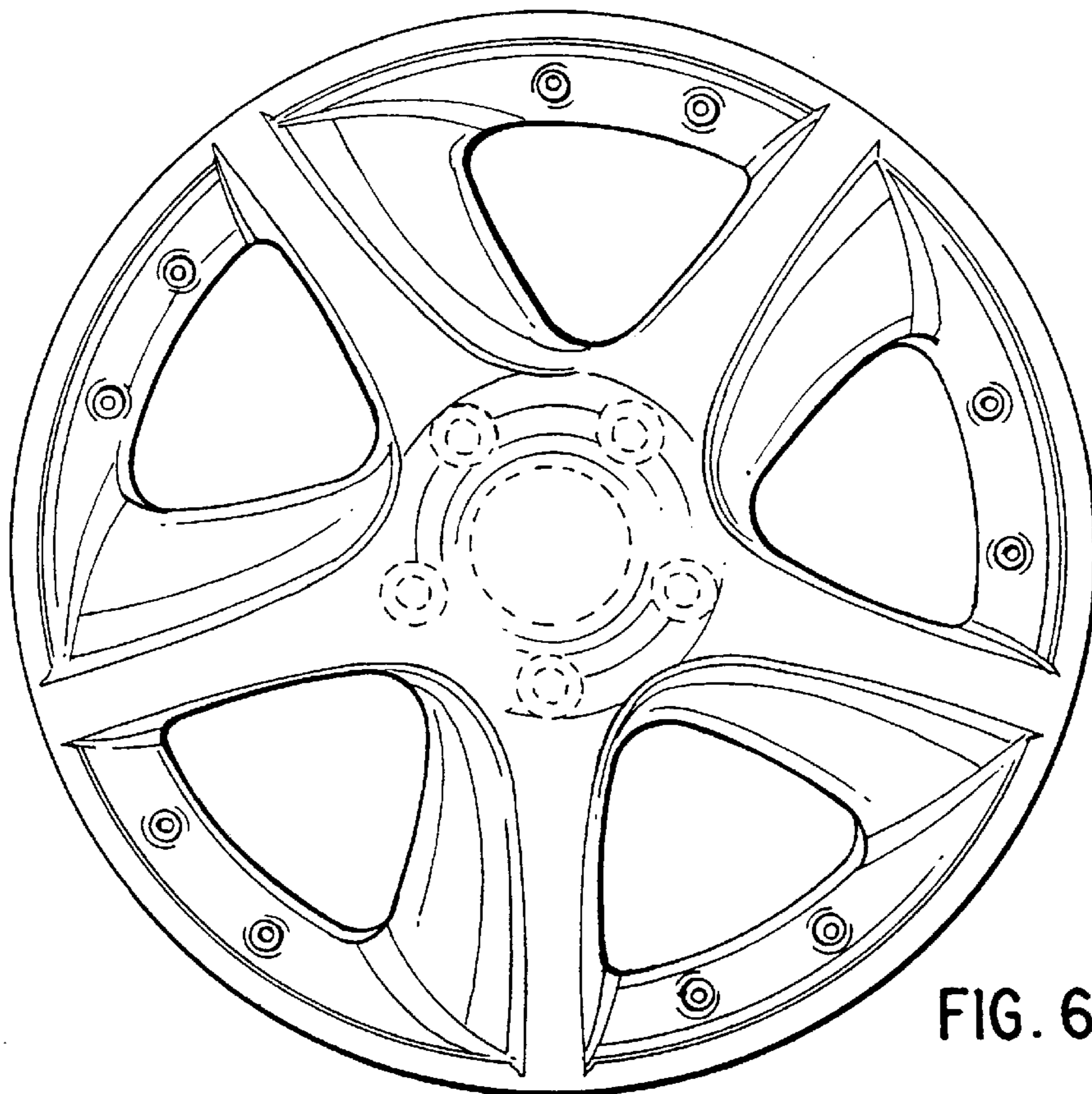


FIG. 6