



US00D451063B1

(12) **United States Design Patent**
Yoshida

(10) **Patent No.:** **US D451,063 S**

(45) **Date of Patent:** **** Nov. 27, 2001**

(54) **WHEEL FOR MOTOR VEHICLE**
(75) Inventor: **Atsushi Yoshida, Aki-gun (JP)**
(73) Assignee: **Mazda Motor Corporation, Hiroshima-ken (JP)**
(**) Term: **14 Years**

D. 400,153 * 10/1998 Bhambra D12/209
D. 402,249 * 12/1998 Kulla D12/209
D. 409,546 * 5/1999 Stark D12/209
D. 409,966 * 5/1999 Chung D12/209
D. 419,126 * 1/2000 Hartmann, Jr. D12/209
D. 421,591 * 3/2000 Chrysanto D12/209
D. 424,499 * 5/2000 Fitzgerald D12/209
D. 425,470 * 5/2000 Pfeiffer et al. D12/209
D. 430,841 * 9/2000 Tanghetti D12/209

(21) Appl. No.: **29/126,564**

* cited by examiner

(22) Filed: **Jul. 20, 2000**

Primary Examiner—Stacia Cadmus

(30) **Foreign Application Priority Data**

(74) *Attorney, Agent, or Firm*—Nixon Peabody LLP;
Donald R. Studebaker

Mar. 31, 2000 (JP) 12-008384

(51) **LOC (7) Cl.** **12-16**

(52) **U.S. Cl.** **D12/209**

(58) **Field of Search** D12/204–211;
301/37.1, 64.1, 65

(57) **CLAIM**

The ornamental design for a wheel for motor vehicle, as shown and described.

(56) **References Cited**

DESCRIPTION

U.S. PATENT DOCUMENTS

D. 351,582 * 10/1994 Echazabal et al. D12/209
D. 361,320 * 8/1995 Wise D12/209
D. 371,100 * 6/1996 Hatter D12/209
D. 384,022 * 9/1997 Hatter D12/209
D. 384,630 * 10/1997 Bhambra D12/209
D. 384,929 * 10/1997 Neeper D12/209
D. 388,390 * 12/1997 Chung D12/209
D. 390,180 2/1998 Dehner D12/209

FIG. 1 is a front perspective view of wheel for motor vehicle;
FIG. 2 is a rear perspective view thereof;
FIG. 3 is a front view thereof;
FIG. 4 is a rear view thereof;
FIG. 5 is a top view thereof;
FIG. 6 is a bottom view thereof;
FIG. 7 is a left side view thereof; and,
FIG. 8 is a right side view thereof.

1 Claim, 3 Drawing Sheets

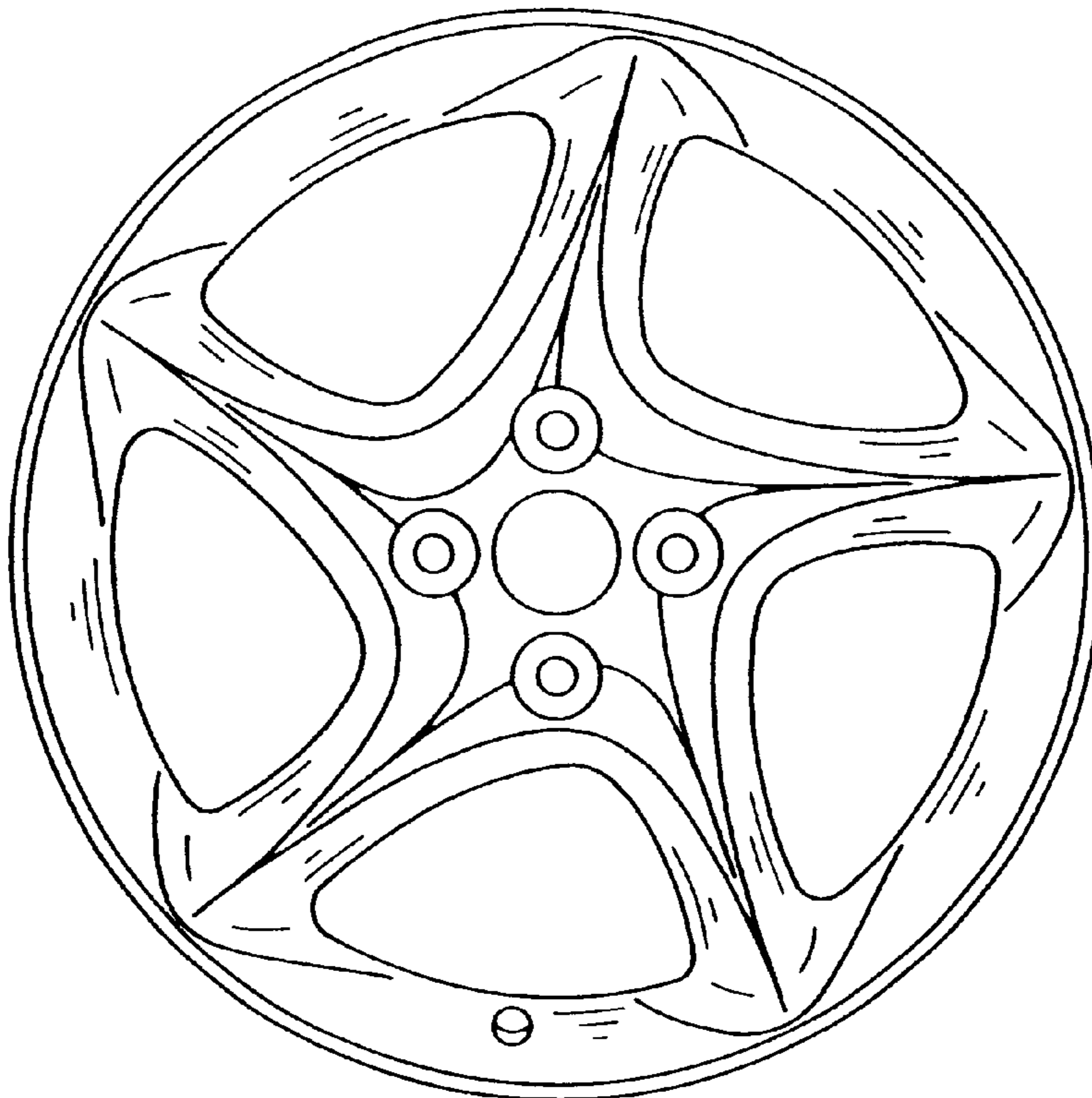


FIG. 1

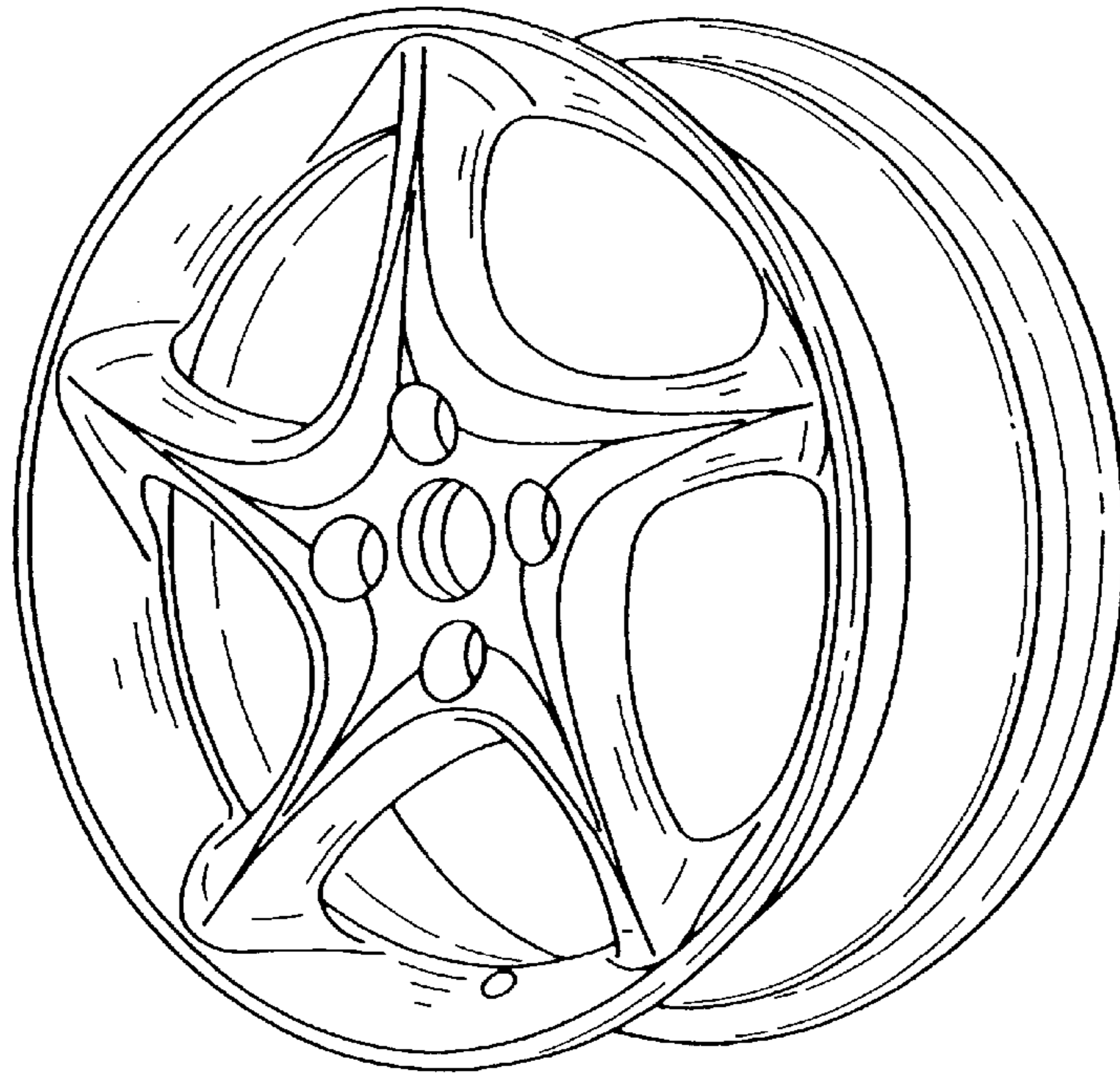


FIG. 2

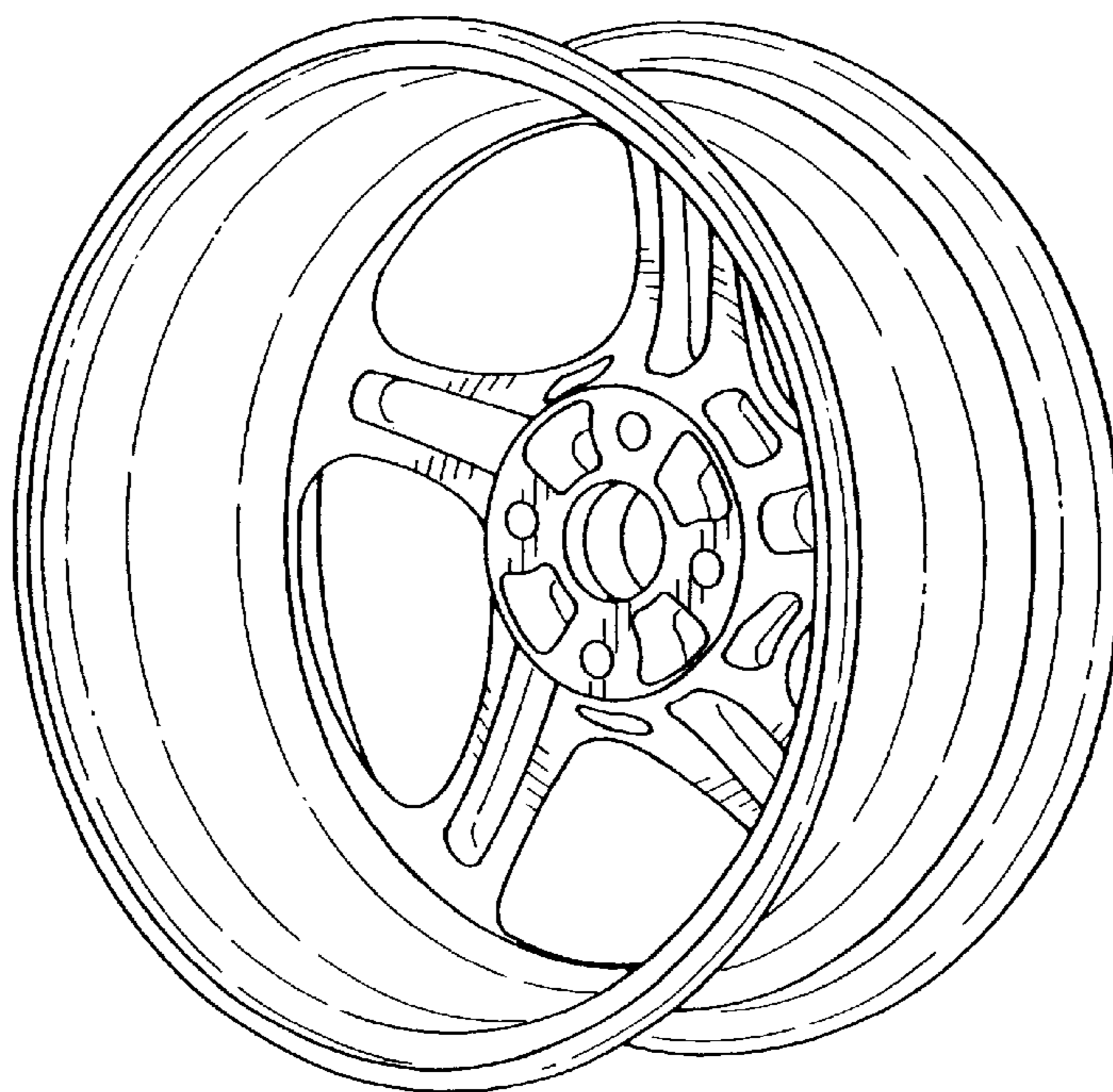


FIG. 3

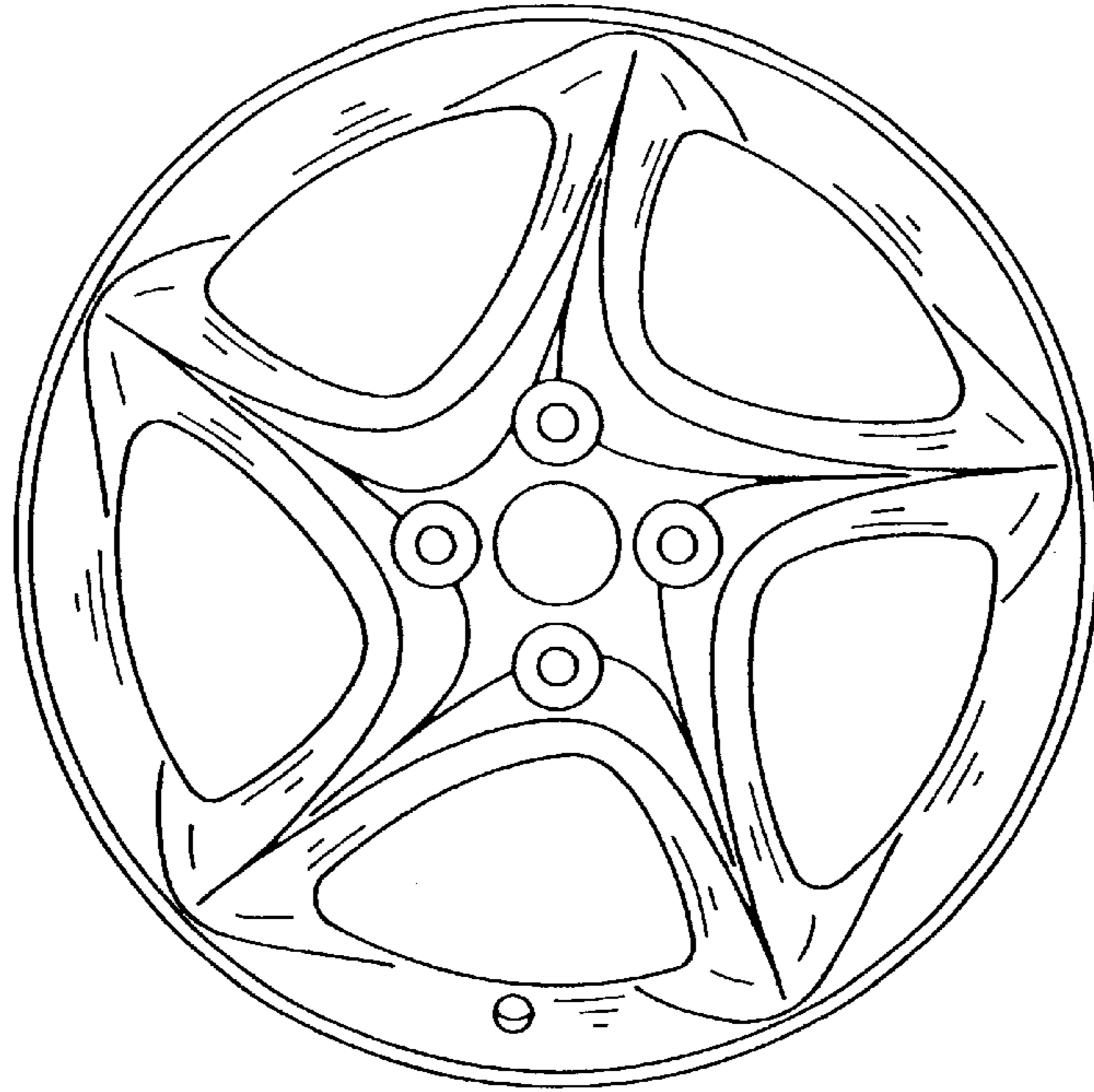


FIG. 4

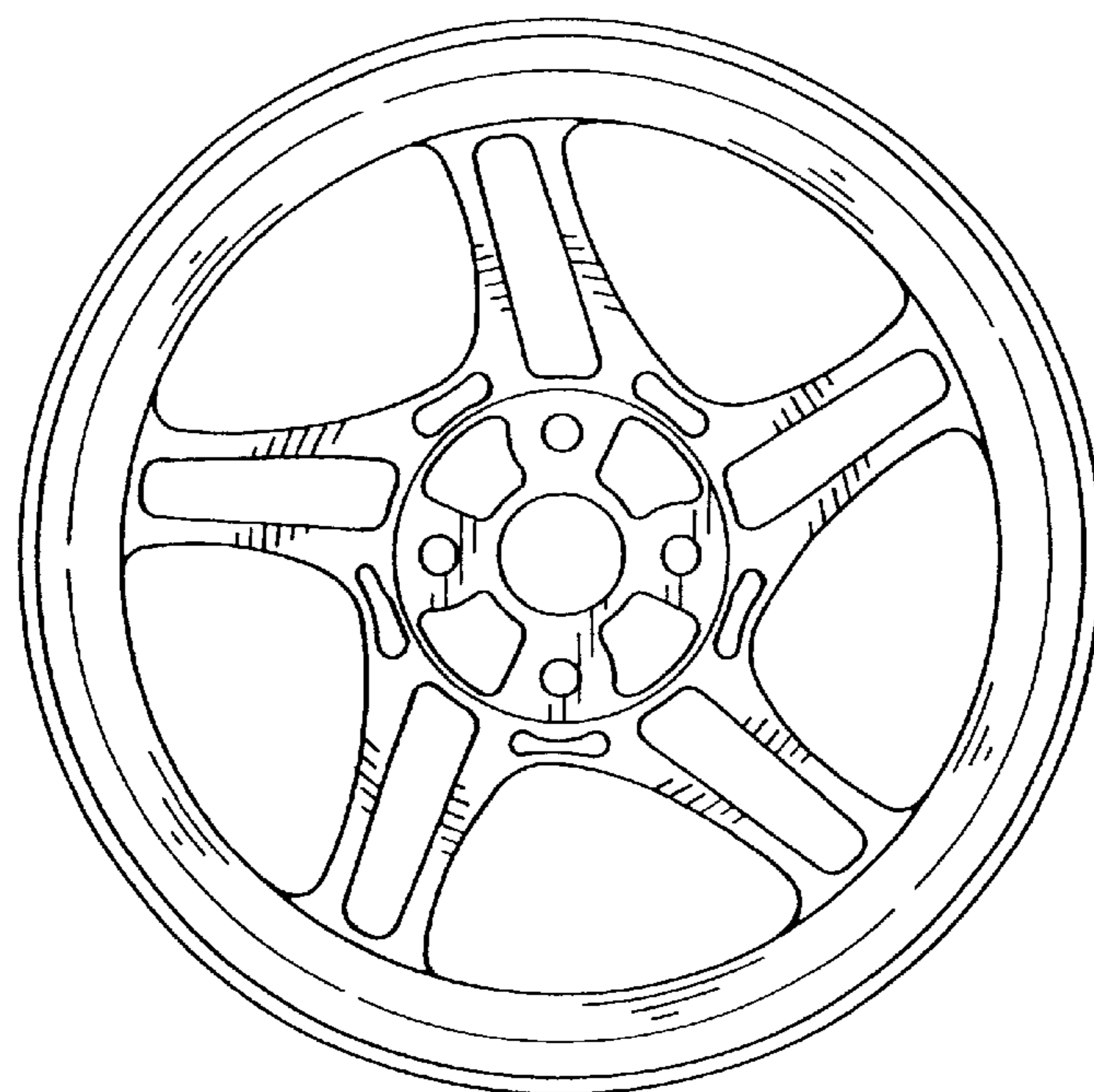


FIG. 5

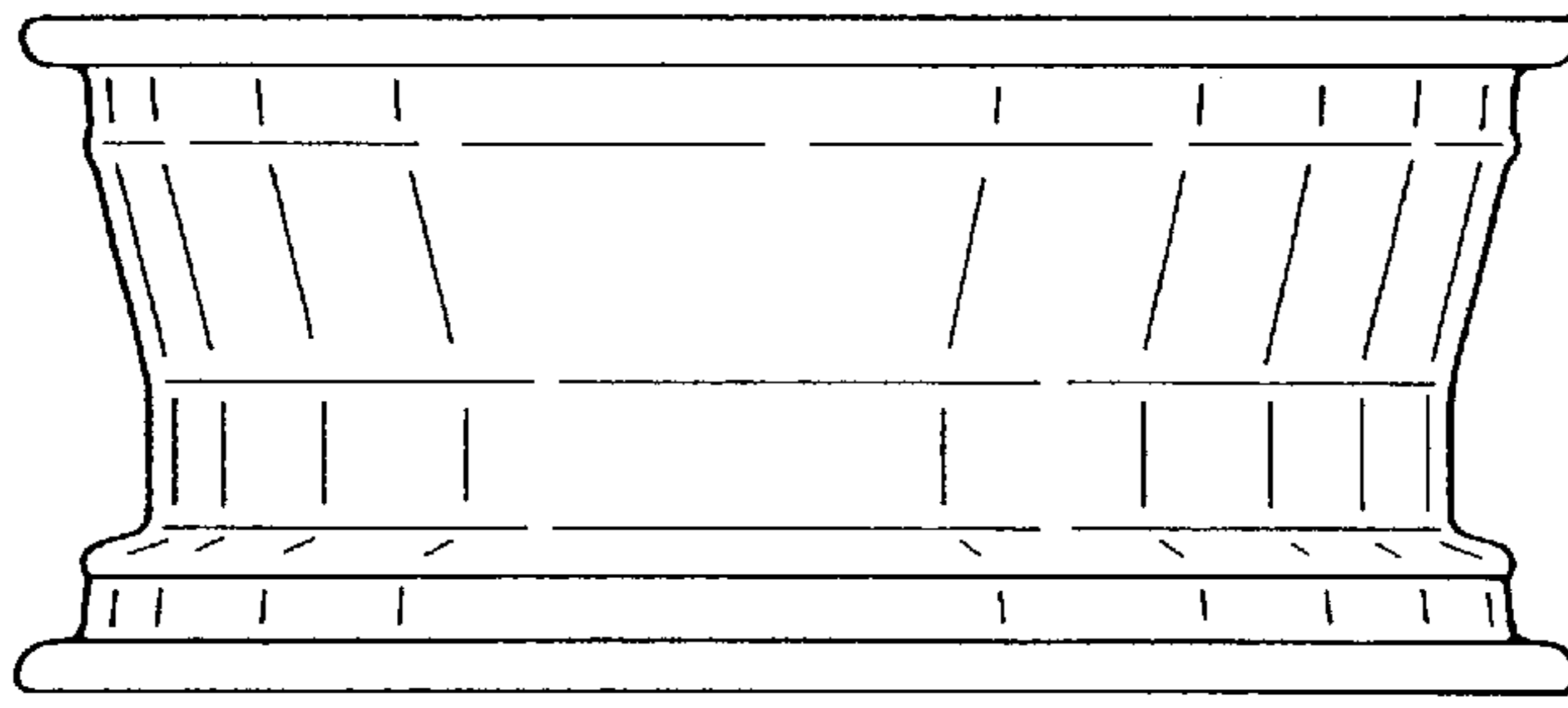


FIG. 6

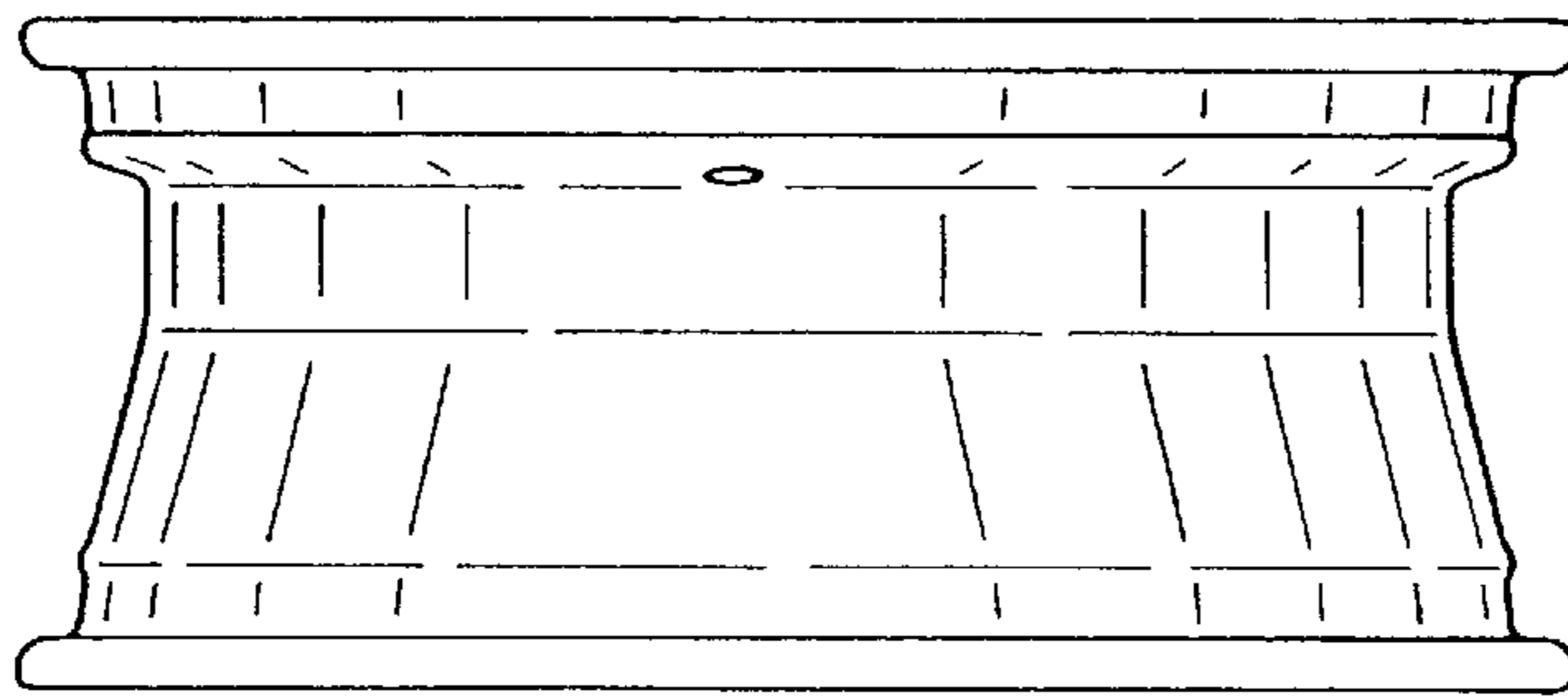


FIG. 7

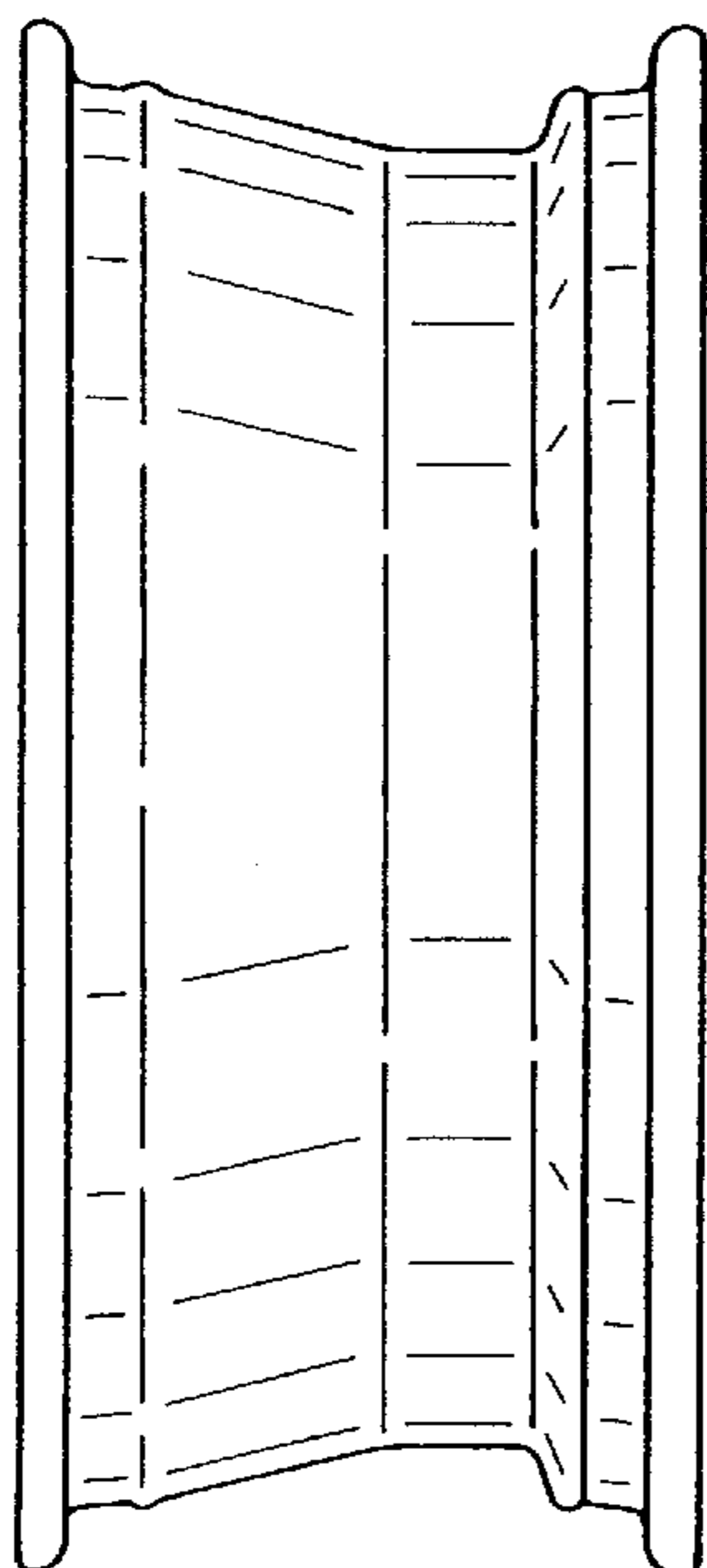


FIG. 8

