



US00D451061B1

(12) **United States Design Patent**
Ishihara

(10) **Patent No.:** **US D451,061 S**

(45) **Date of Patent:** **** Nov. 27, 2001**

- (54) **WHEEL FOR MOTOR VEHICLE**
- (75) Inventor: **Tomohiro Ishihara, Aki-gun (JP)**
- (73) Assignee: **Mazda Motor Corporation, Hiroshima-ken (JP)**
- (**) Term: **14 Years**
- (21) Appl. No.: **29/113,337**
- (22) Filed: **Nov. 4, 1999**
- (30) **Foreign Application Priority Data**
May 14, 1999 (JP) 11-12632
- (51) **LOC (7) Cl.** **12-16**
- (52) **U.S. Cl.** **D12/209**
- (58) **Field of Search** D12/204-211;
301/37.1, 64.1, 65

- (56) **References Cited**
U.S. PATENT DOCUMENTS
D. 325,189 * 4/1992 Kapitza D12/209
D. 363,912 * 11/1995 Chung D12/209
D. 386,738 * 11/1997 Doyle D12/209
D. 404,702 * 1/1999 Celeste D12/211
D. 408,003 * 4/1999 Sacco et al. D12/209

- D. 412,308 * 7/1999 Hussaini et al. D12/209
- D. 425,847 * 5/2000 Iguchi D12/209
- D. 427,557 * 7/2000 Chung D12/209
- D. 436,572 * 1/2001 Brown D12/209
- D. 441,338 * 5/2001 Hussaini et al. D12/209

* cited by examiner

Primary Examiner—Stacia Cadmus

(74) *Attorney, Agent, or Firm*—Nixon Peabody LLP;
Donald R. Studebaker

(57) **CLAIM**

The ornamental design for a wheel for motor vehicle, as shown and described.

DESCRIPTION

FIG. 1 is a front perspective view of a wheel for motor vehicle;
FIG. 2 is a rear perspective view thereof;
FIG. 3 is a front view thereof;
FIG. 4 is a rear view thereof;
FIG. 5 is a left side view thereof;
FIG. 6 is a right side view thereof;
FIG. 7 is a top view thereof; and,
FIG. 8 is a bottom view thereof.

1 Claim, 4 Drawing Sheets

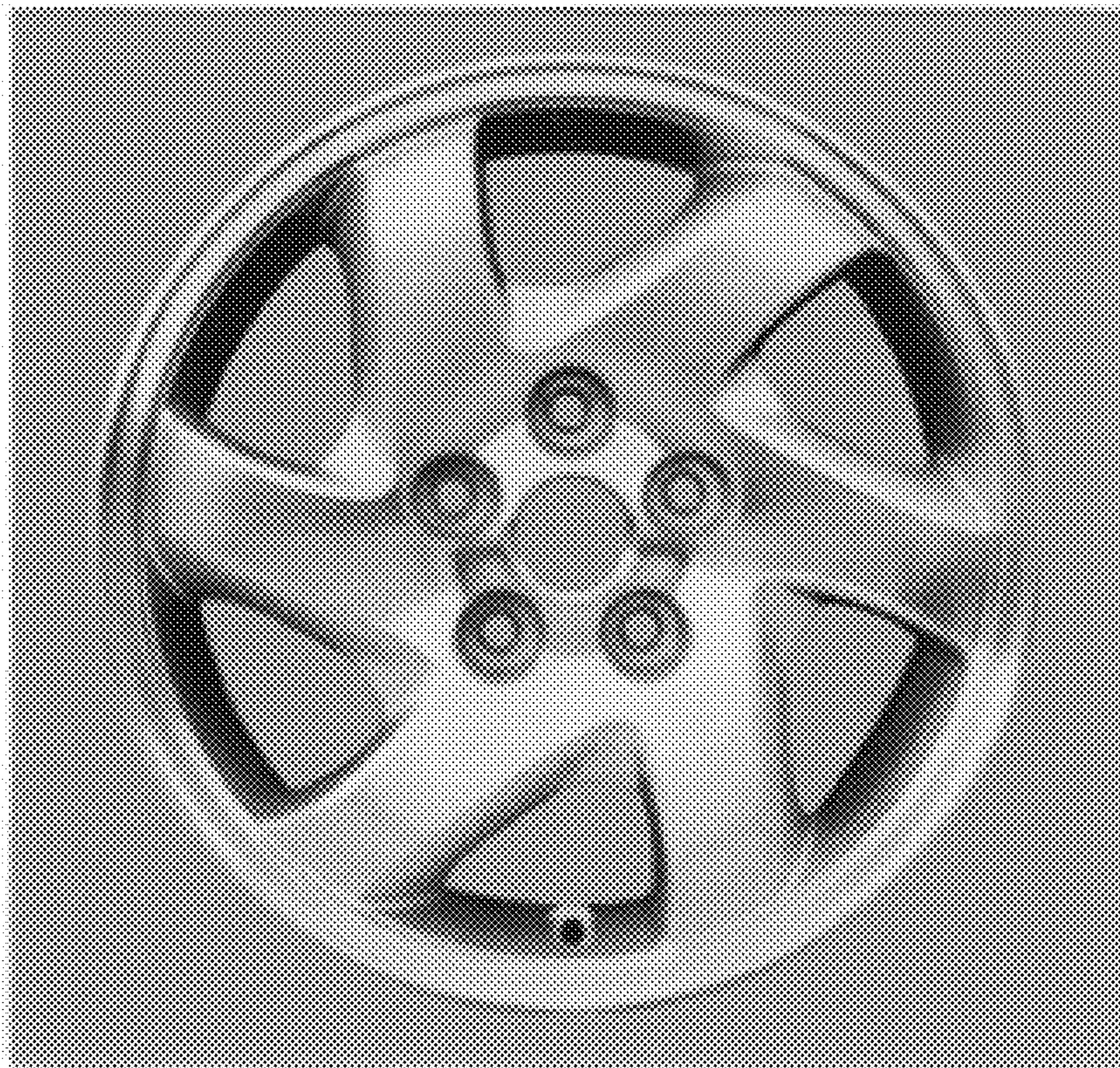


Fig. 1

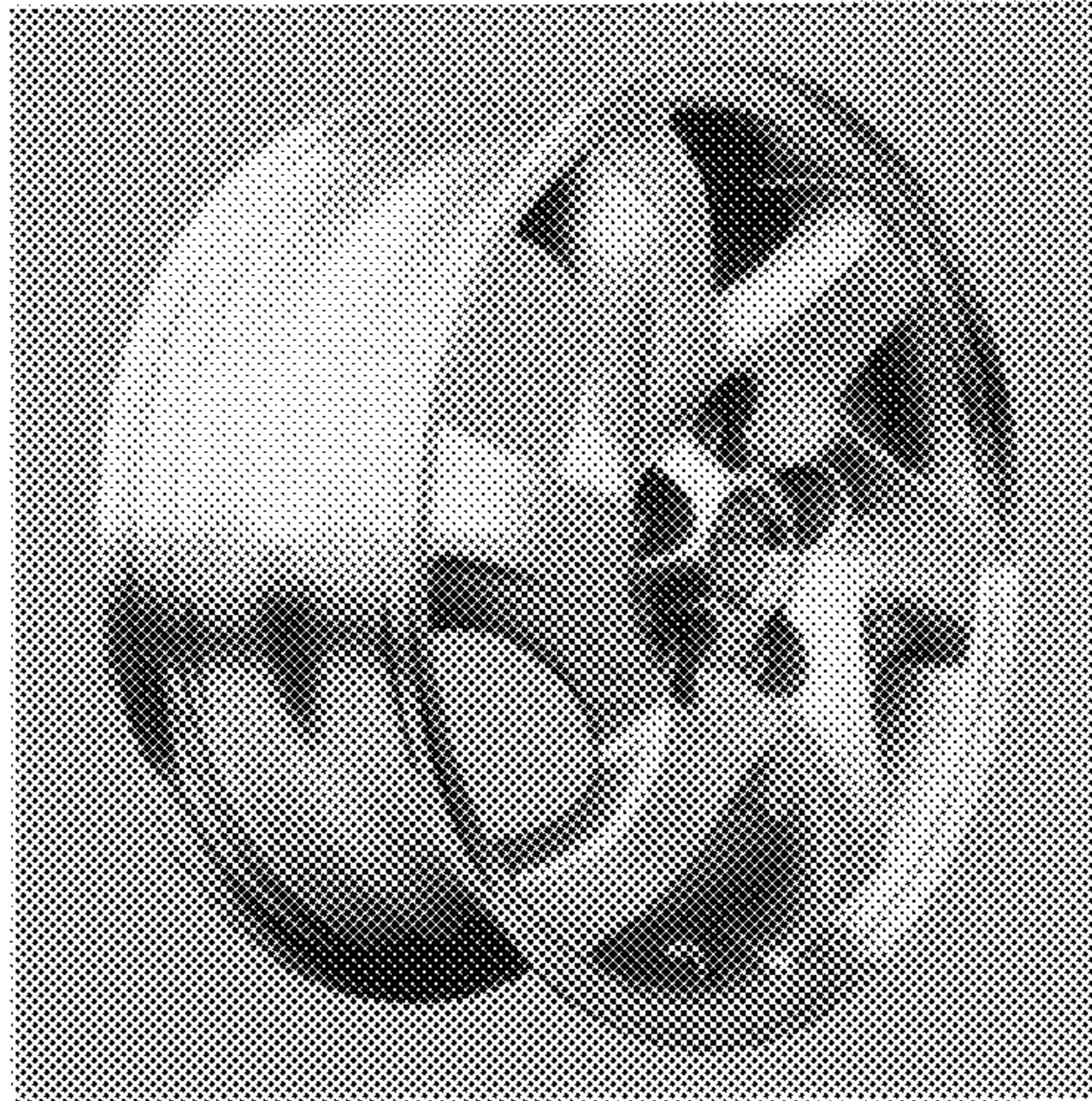


Fig. 2

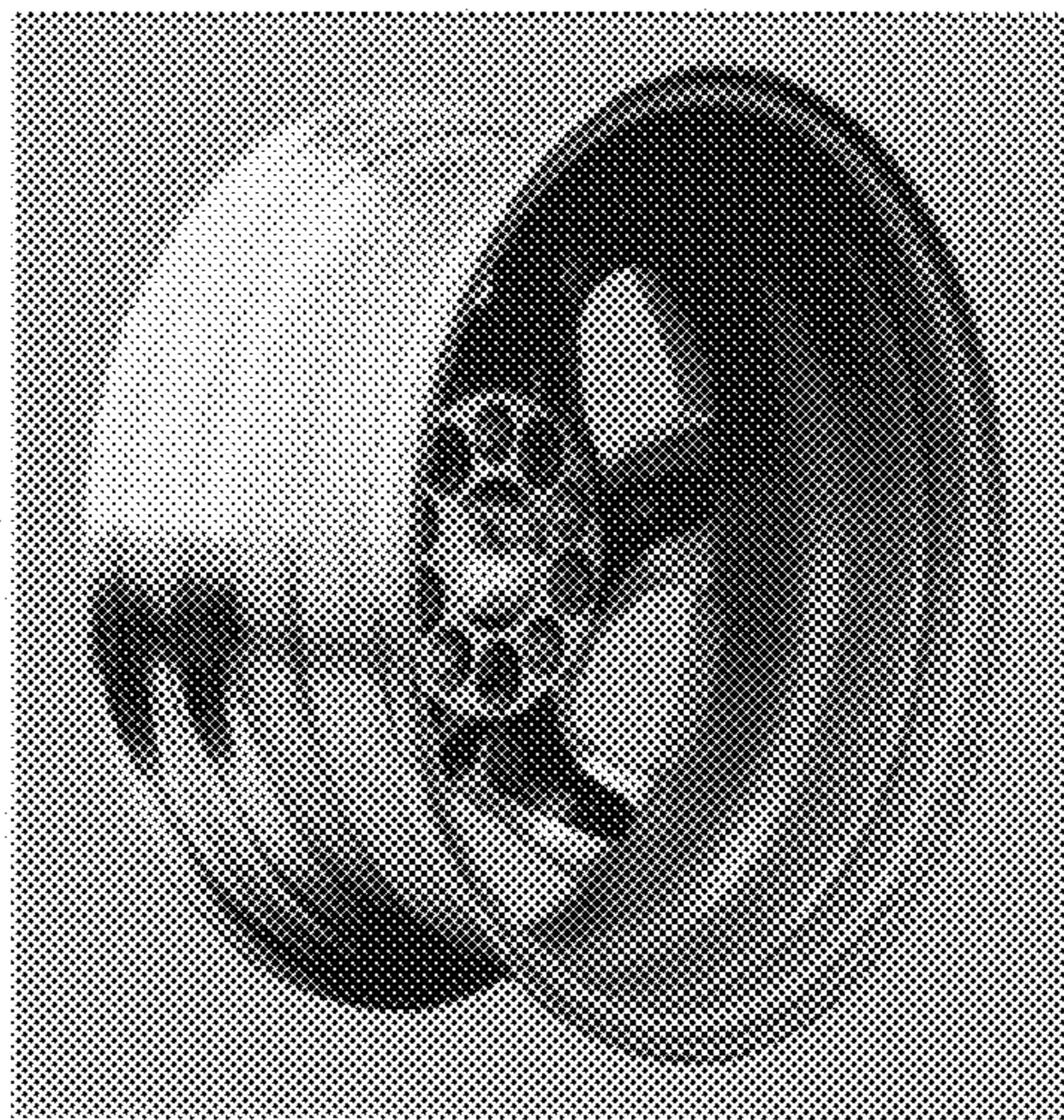


Fig. 3

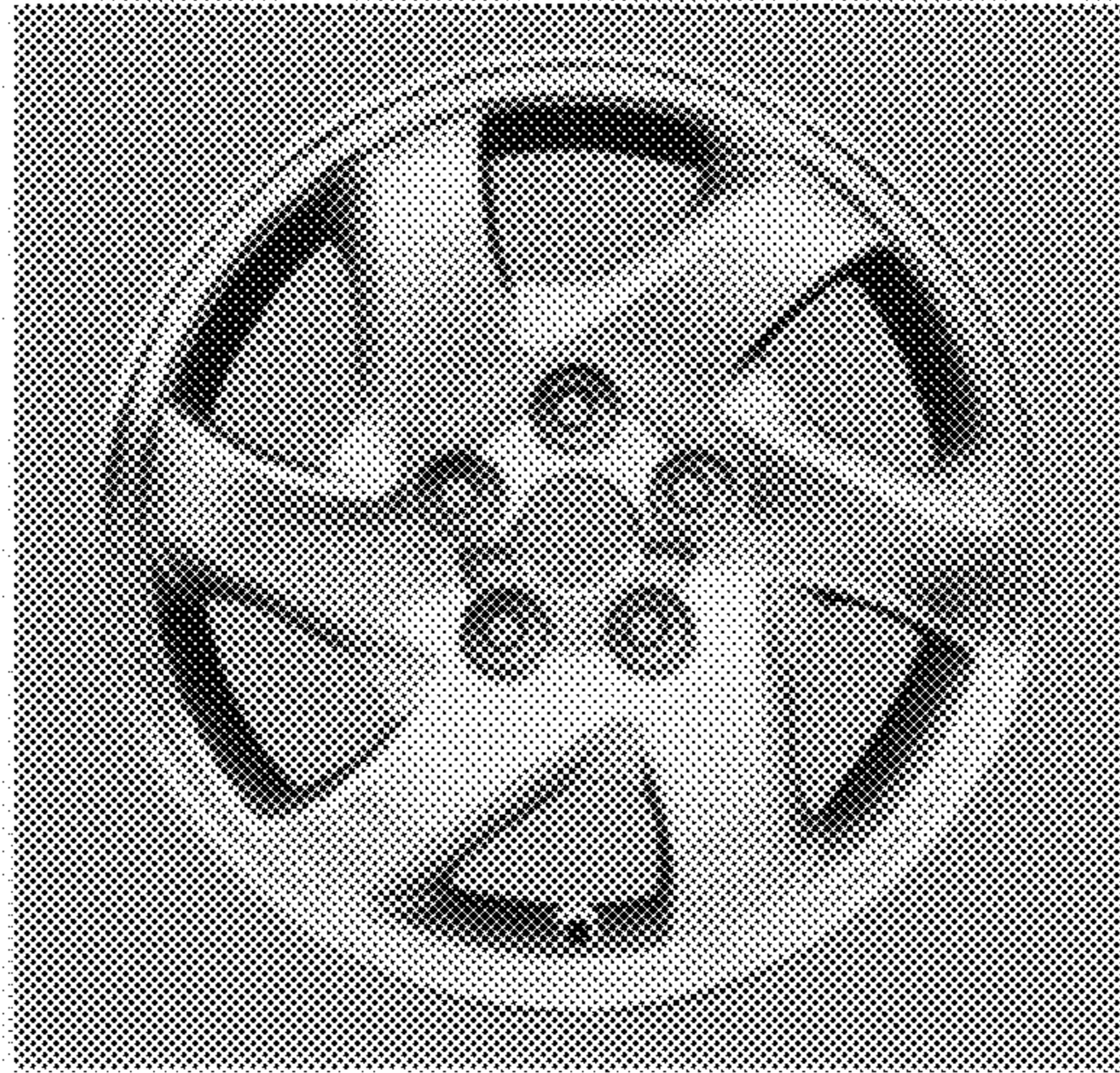


Fig. 4

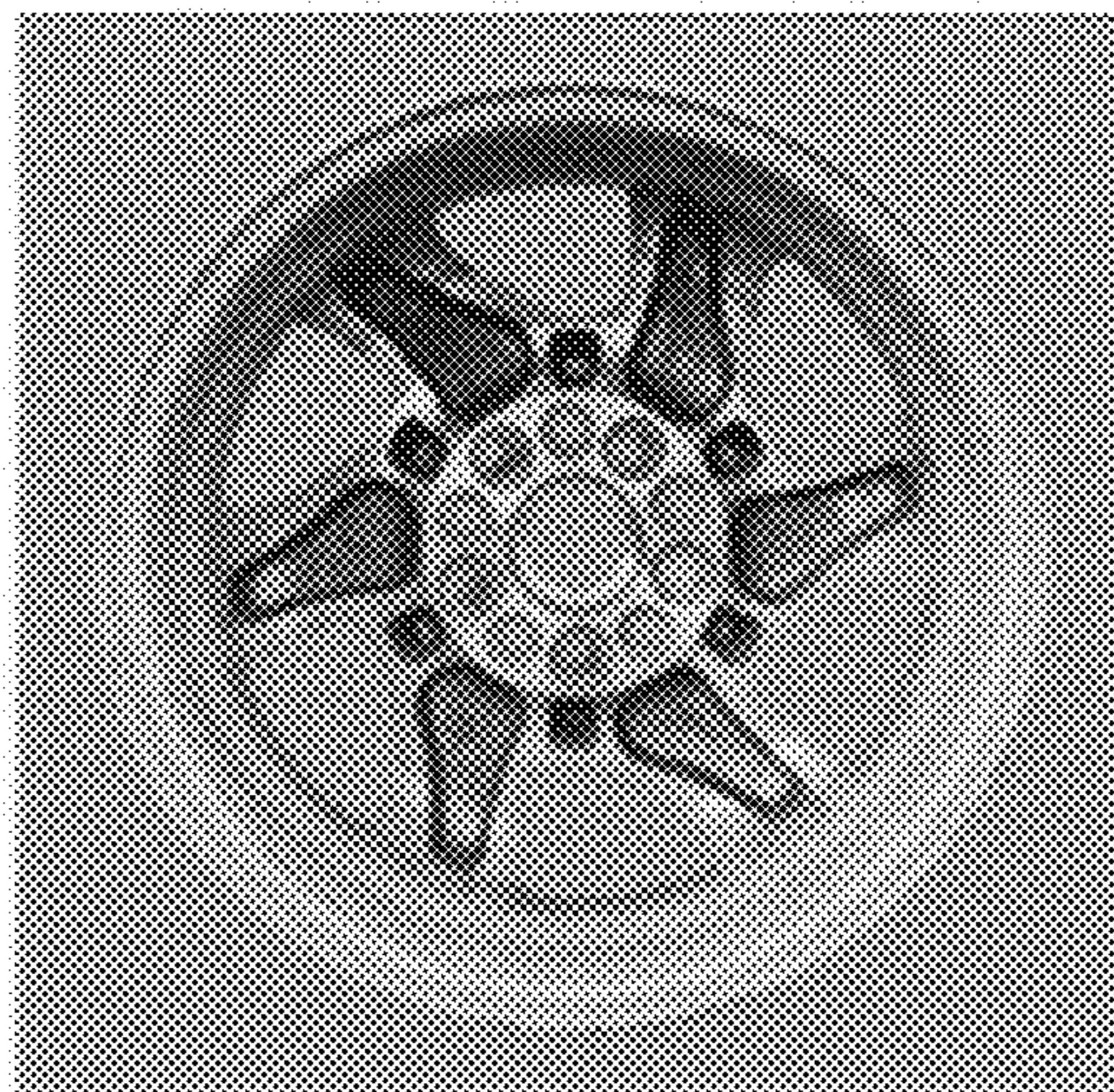


Fig. 5

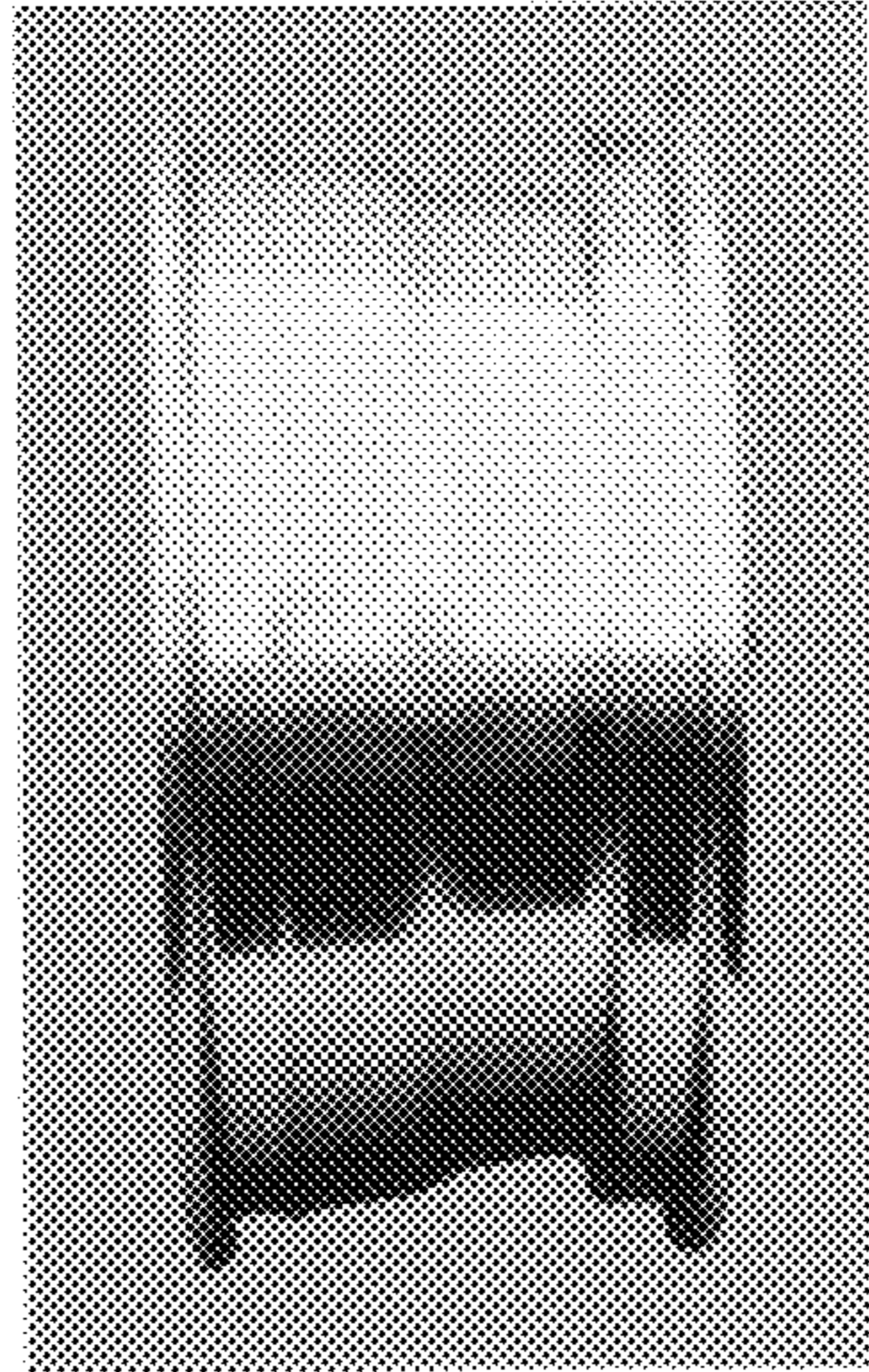


Fig. 6

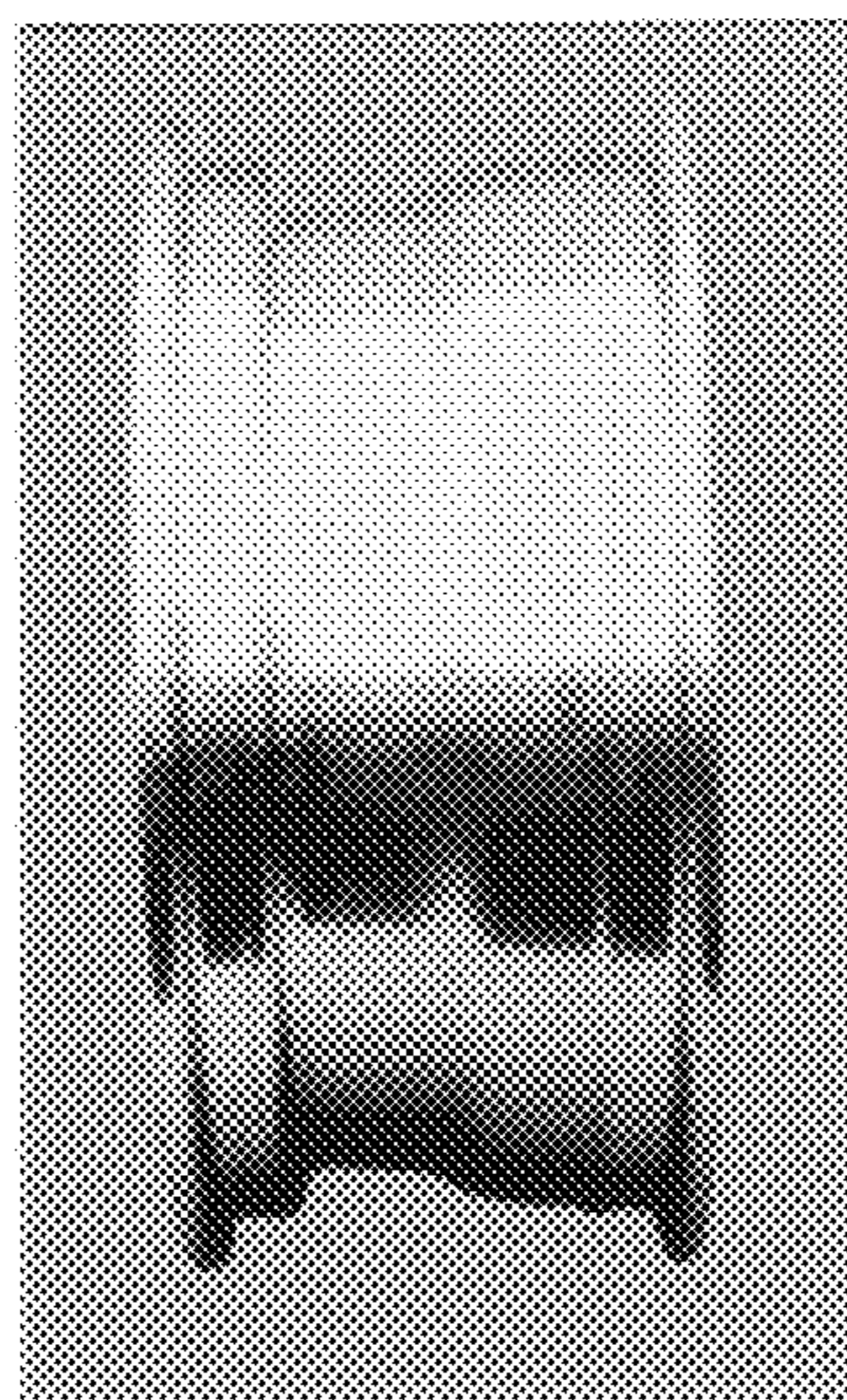


Fig. 7

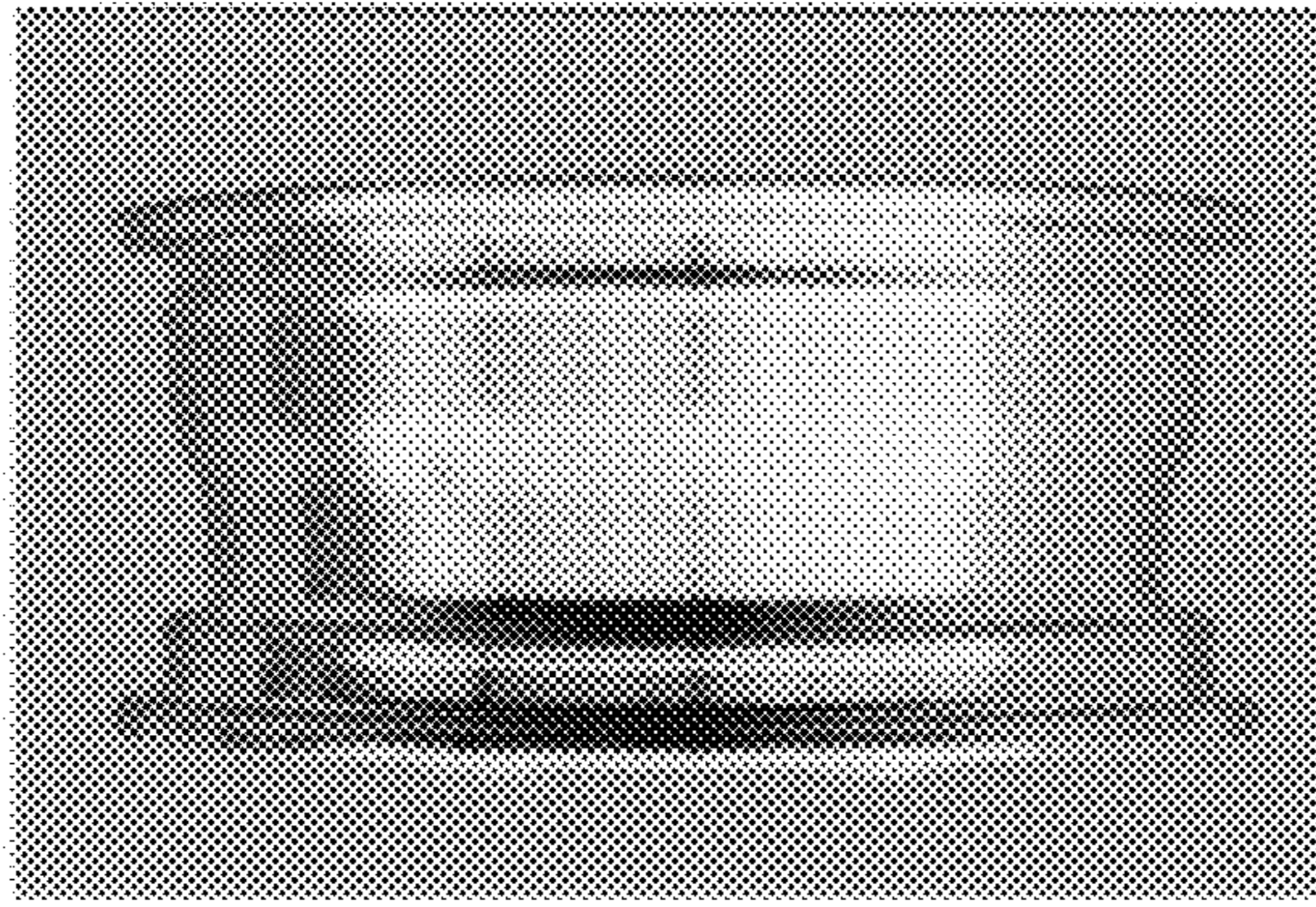


Fig. 8

