



US00D451054B1

(12) **United States Design Patent**  
**Thom et al.**

(10) **Patent No.:** **US D451,054 S**

(45) **Date of Patent:** **\*\* Nov. 27, 2001**

(54) **ARTICLE CARRYING ARRANGEMENT**

(75) Inventors: **Paul Thom**, Monclair; **Kurt Landsberger**, Verona; **David Landsberger**, Caldwell, all of NJ (US)

(73) Assignee: **Bel-Art Products, Inc.**, Pequannock, NJ (US)

(\*\*) Term: **14 Years**

(21) Appl. No.: **29/137,428**

(22) Filed: **Feb. 21, 2001**

(51) **LOC (7) Cl.** ..... **12-12**

(52) **U.S. Cl.** ..... **D12/133**

(58) **Field of Search** ..... D12/128, 130,  
D12/133; 297/5, 6, 188; 224/42.46, 42.42;  
220/23.83; 135/67.65, 75.85

(56) **References Cited**

**U.S. PATENT DOCUMENTS**

D. 324,504	3/1992	Olsen .	
D. 340,012	* 10/1993	Azzarelli .....	D12/133
D. 409,953	* 5/1999	Heineken et al. ....	D12/133
3,957,071	5/1976	Kenner .	
4,158,428	6/1979	Bates .	
4,184,618	1/1980	Jones .	
4,257,545	3/1981	Rhyan .	
4,339,053	7/1982	Trubiano .	
4,339,061	* 7/1982	Dunn .....	D12/133

4,449,750	5/1984	Pultman .	
4,526,419	7/1985	Bowman et al. .	
4,676,416	6/1987	Harmon .	
5,012,963	* 5/1991	Rosenbaum .....	D12/133

**OTHER PUBLICATIONS**

Maddak, Inc., Catalog 1294, pp. 1, 2, 3, 6, 7.

\* cited by examiner

*Primary Examiner*—Marcus A. Jackson

(74) *Attorney, Agent, or Firm*—Lawrence G. Fridman

(57) **CLAIM**

The ornamental design for the article carrying arrangement, as shown and described.

**DESCRIPTION**

FIG. 1 is a perspective view of an article carrying arrangement of the invention, with the broken line showing for illustrative purposes and forming no part of the claimed design;

FIG. 2 is a front elevational view thereof;

FIG. 3 is a rear elevational view thereof;

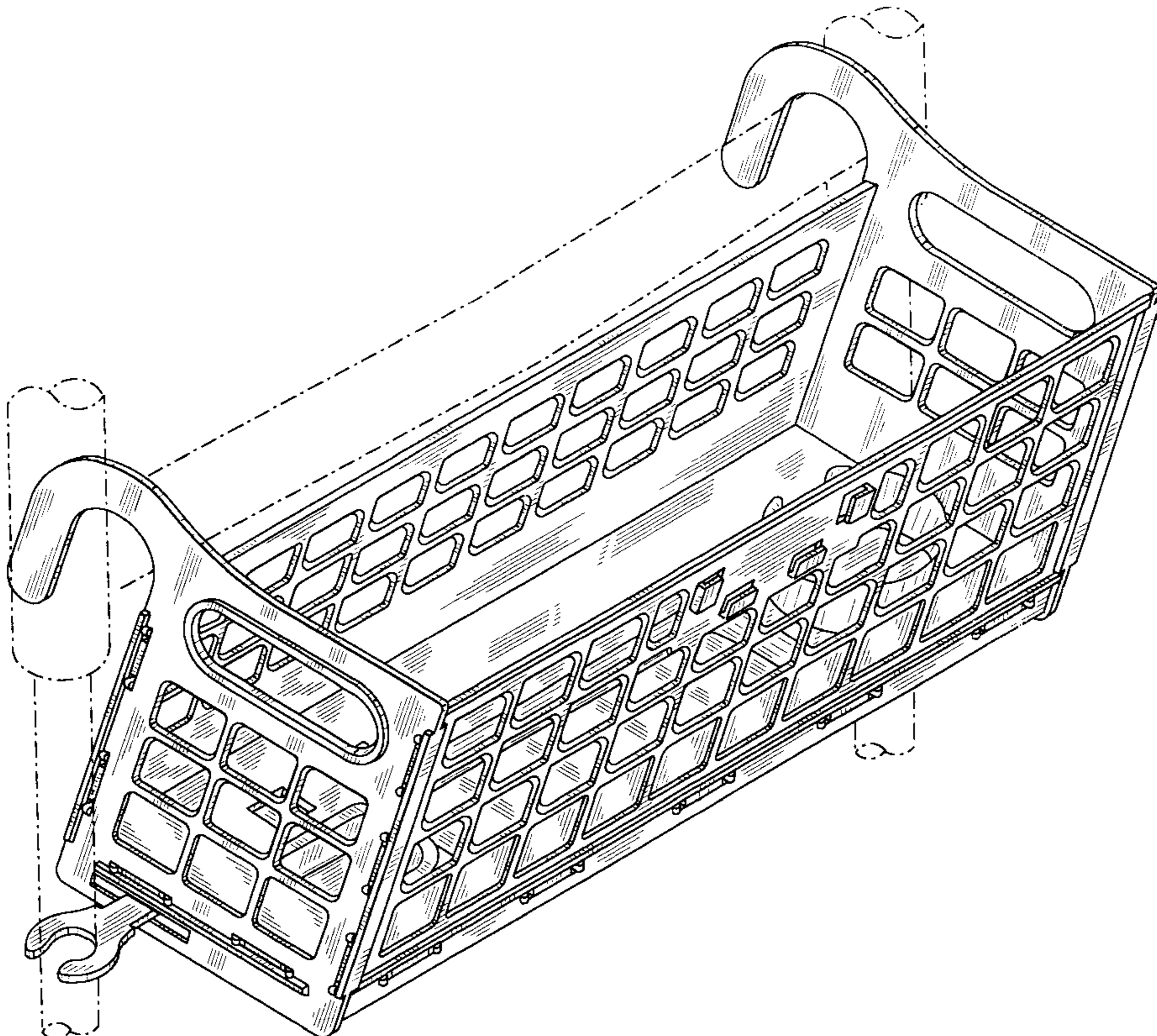
FIG. 4 is a right hand side elevational view thereof; (Left hand side elevational view is a mirror image of FIG. 4).

FIG. 5 is a top plan view thereof;

FIG. 6 is a bottom plan view thereof; and,

FIG. 7 is a section view according to section line 7—7 of FIG. 5.

**1 Claim, 6 Drawing Sheets**



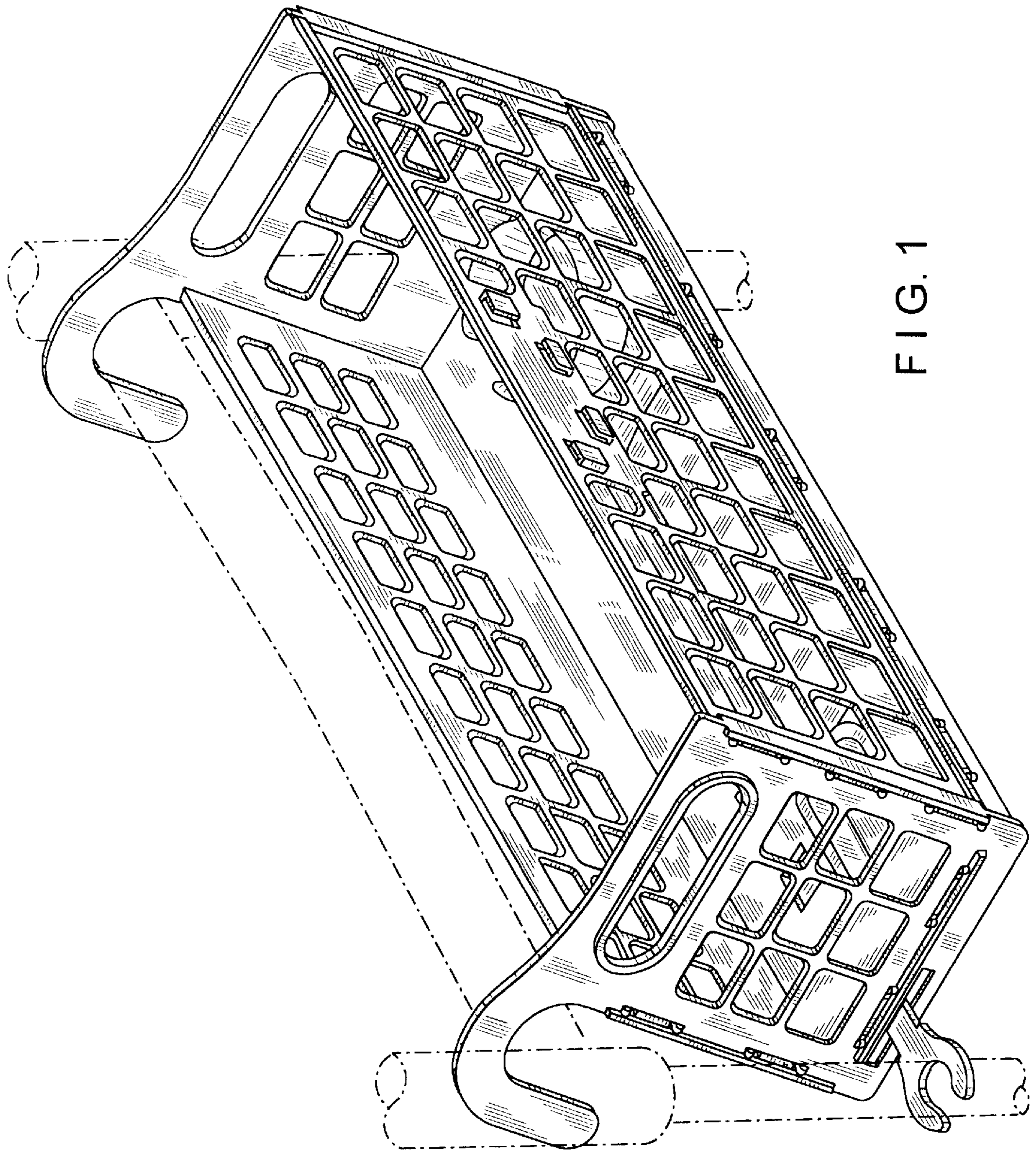


FIG. 1

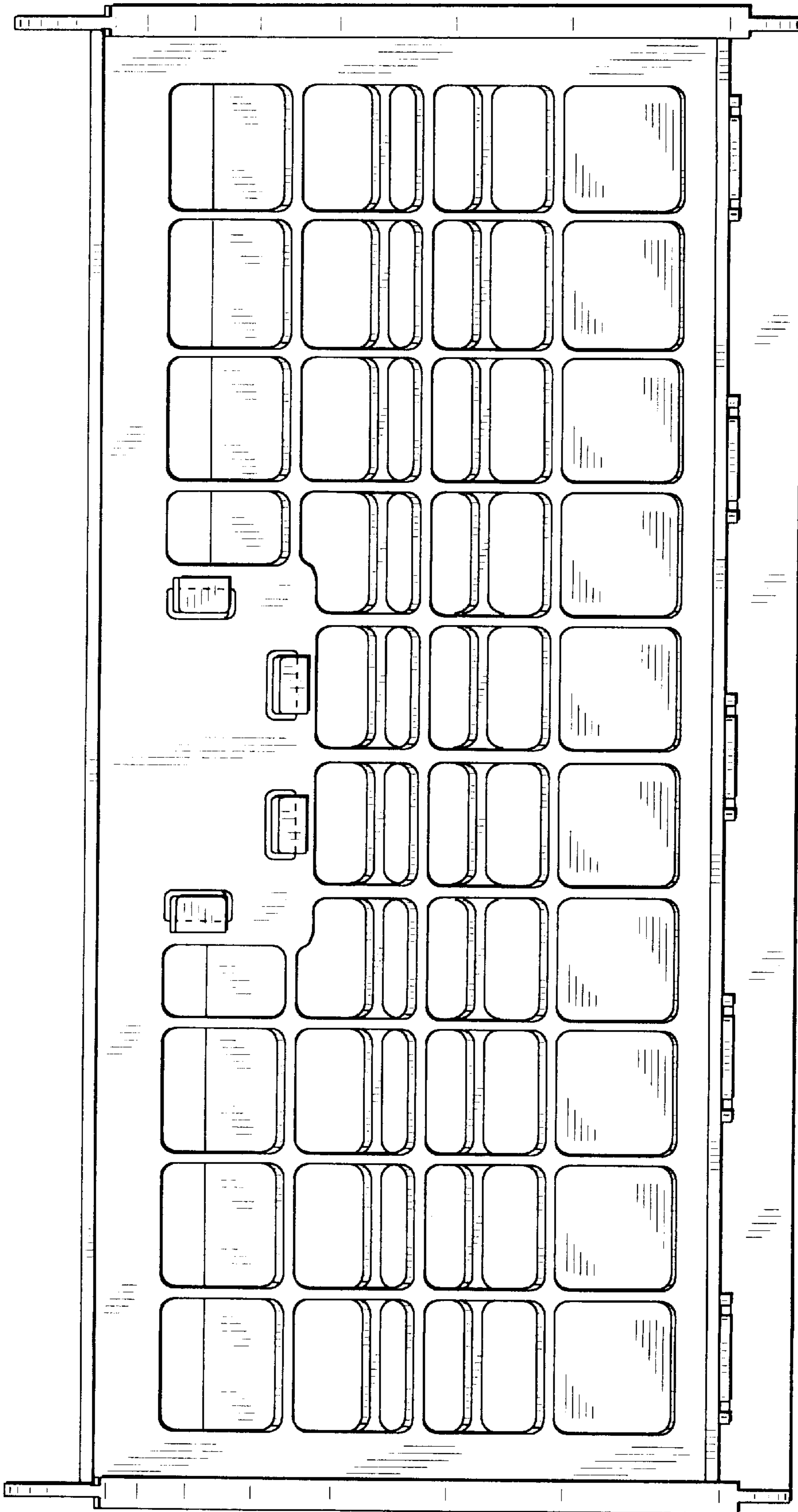


FIG. 2

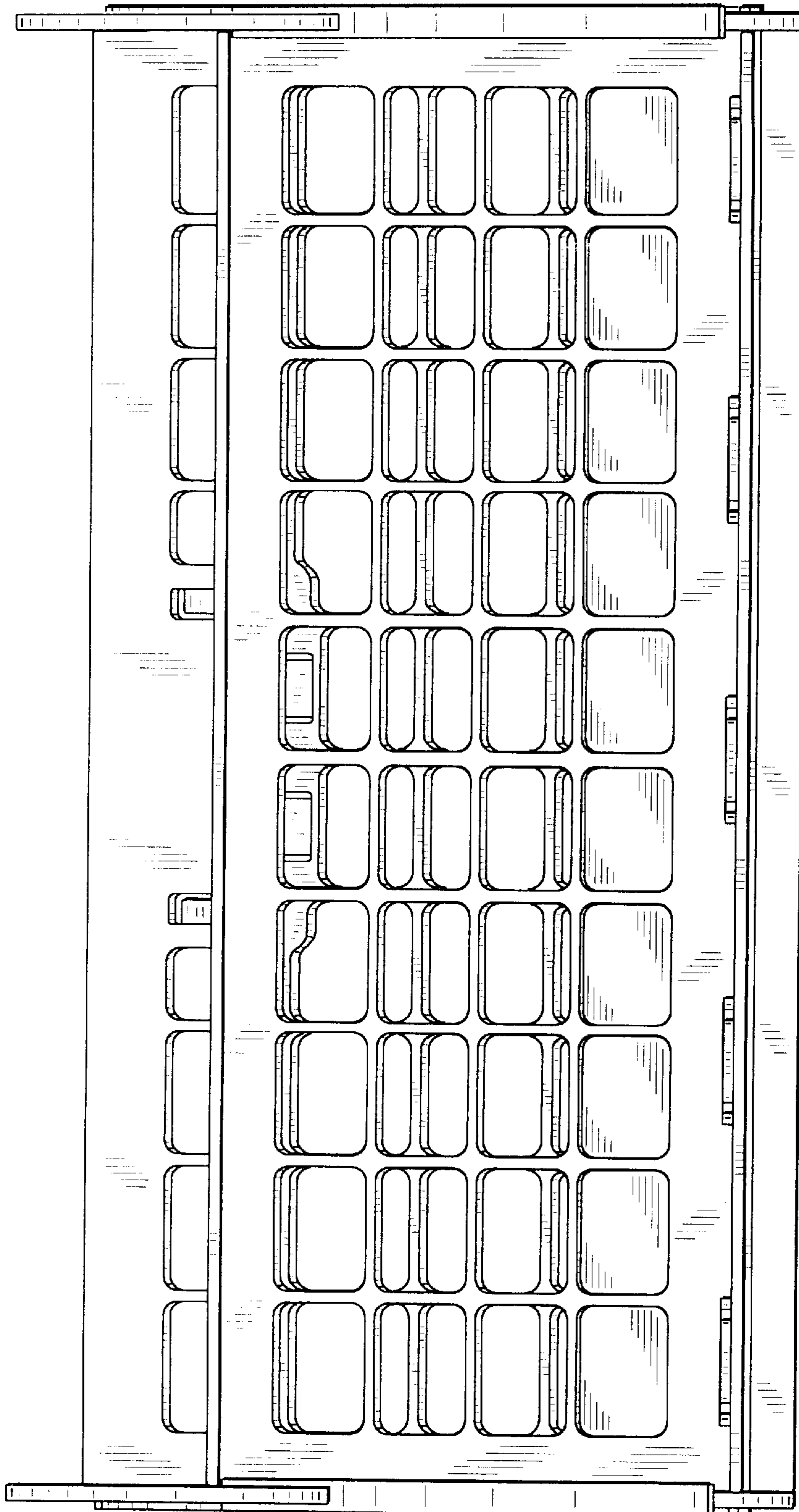


FIG. 3

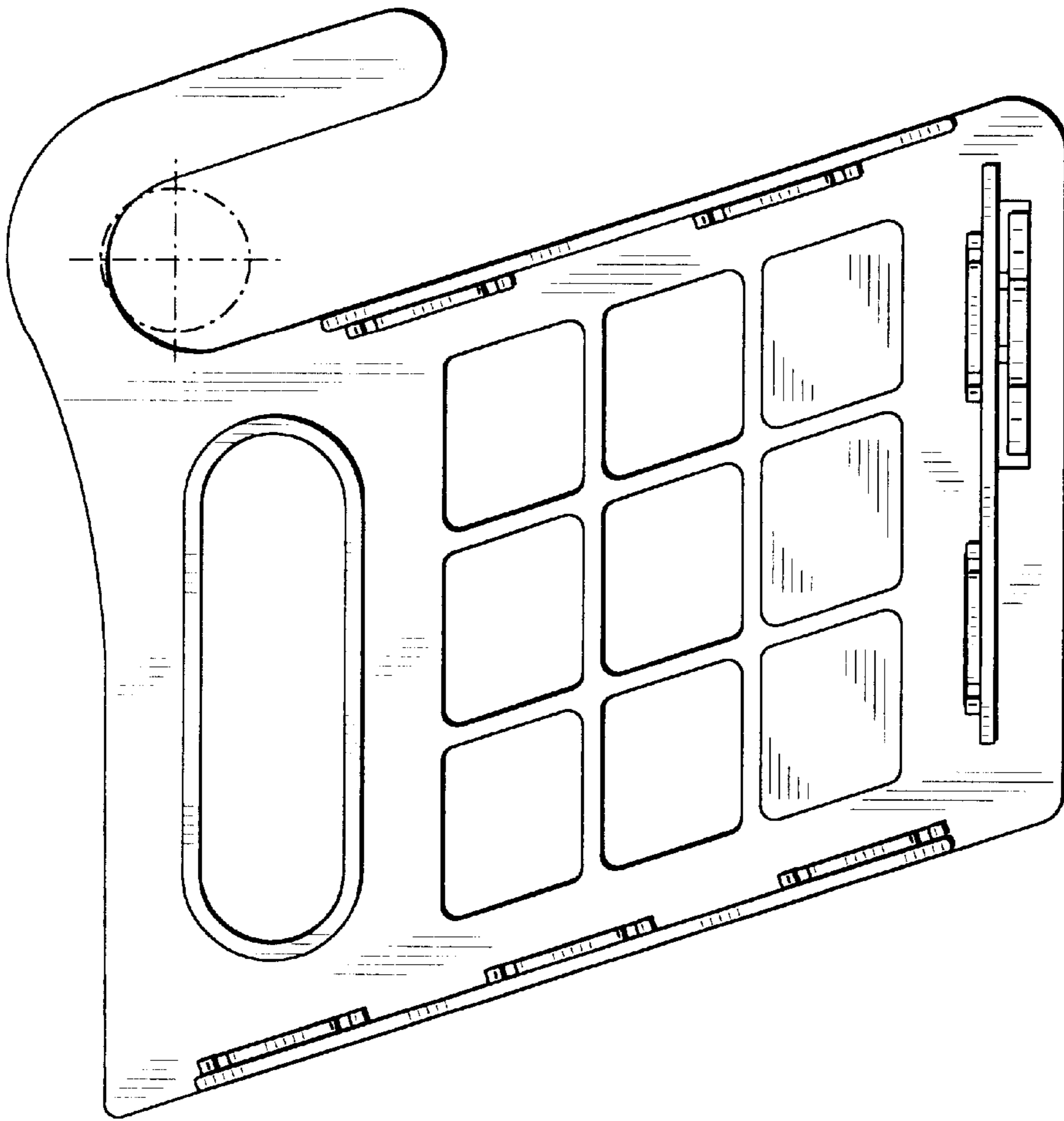


FIG. 4

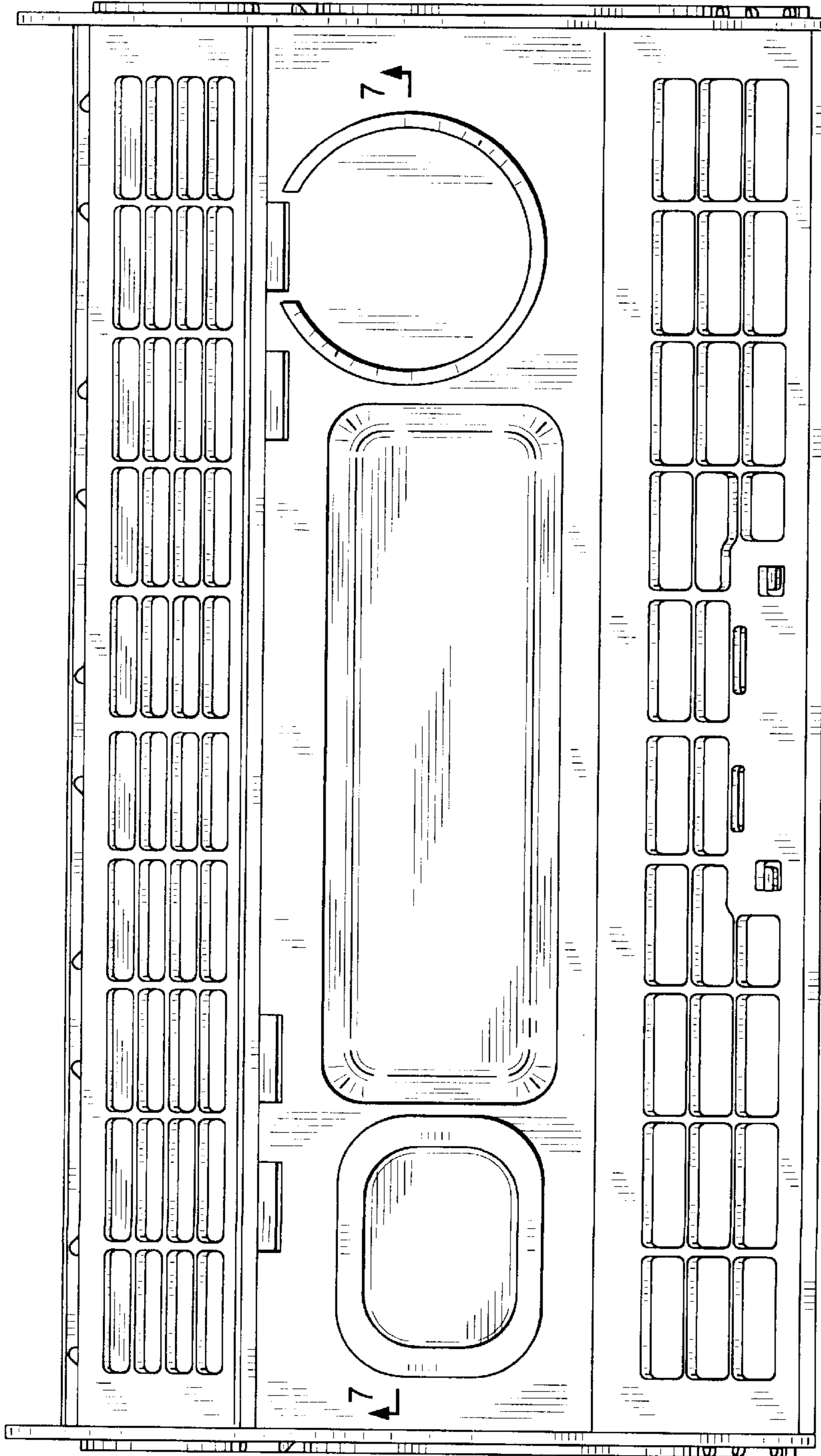


FIG. 5

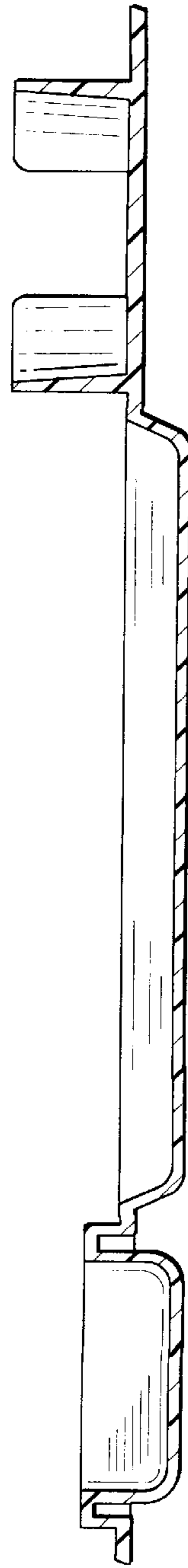


FIG. 7

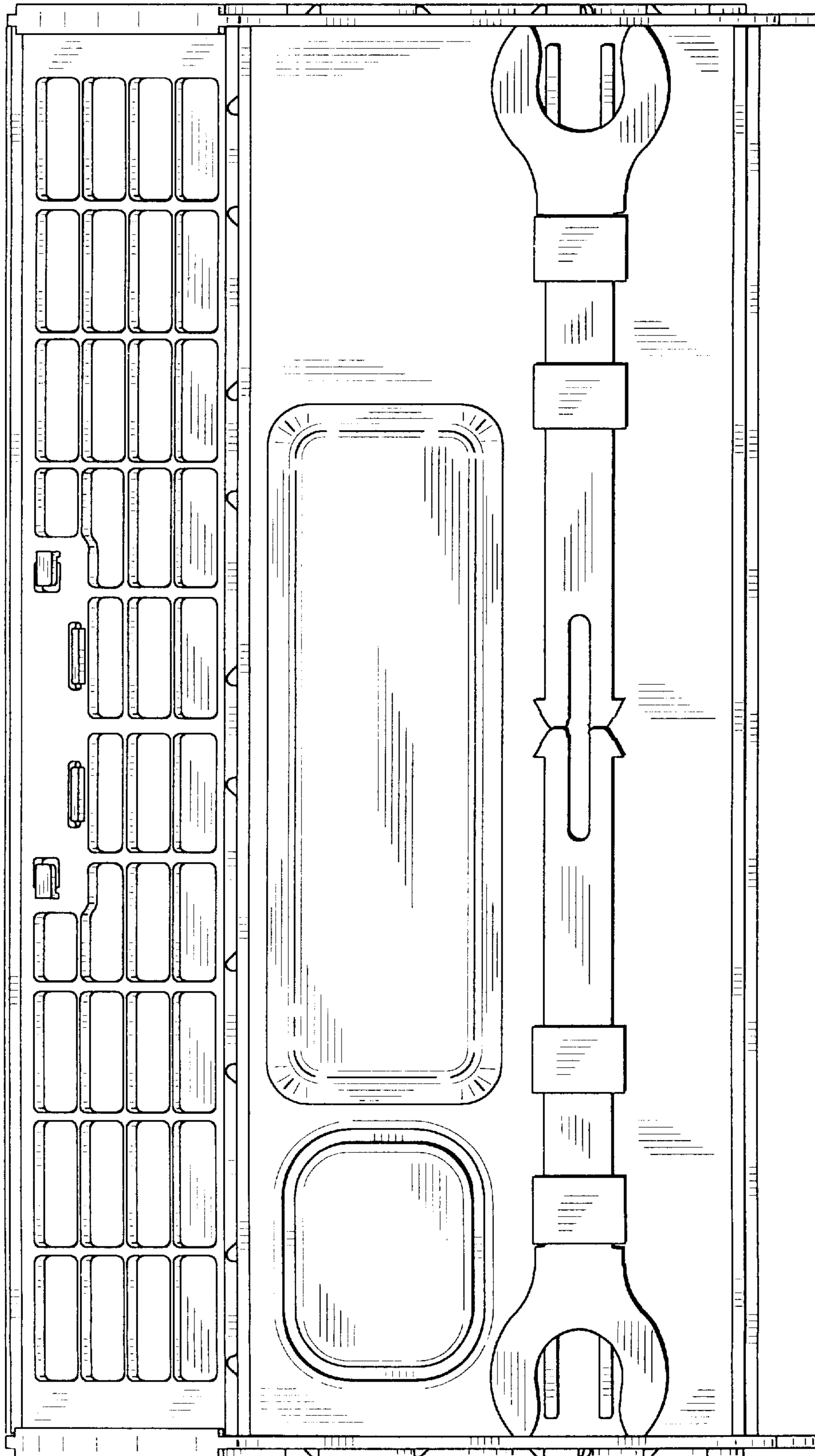


FIG. 6