



US00D451053B1

(12) **United States Design Patent**  
**Hallgrimsson**

(10) **Patent No.:** **US D451,053 S**

(45) **Date of Patent:** **\*\* Nov. 27, 2001**

(54) **COMBINED WALKER AND WHEELCHAIR**

(75) Inventor: **Bjarki H. Hallgrimsson**, Bridgetown (BB)

(73) Assignee: **Random Products Trust (BB)**

(\*\*) Term: **14 Years**

(21) Appl. No.: **29/126,235**

(22) Filed: **Jul. 10, 2000**

(30) **Foreign Application Priority Data**

Jan. 25, 2000 (CA) ..... 2000-0173

(51) **LOC (7) Cl.** ..... **12-12**

(52) **U.S. Cl.** ..... **D12/130**

(58) **Field of Search** ..... D12/130; 135/66, 135/67, 65, 70; 482/66, 68, 69, 139; 280/47.27, 47.28, 47.29, 47.35; 5/86.1

(56) **References Cited**

**U.S. PATENT DOCUMENTS**

4,748,994 \* 6/1988 Schultz et al. .... 135/67  
5,409,028 \* 4/1995 Lee ..... D12/130

\* cited by examiner

*Primary Examiner*—Marcus A. Jackson

(57) **CLAIM**

The ornamental design for a combined walker and wheelchair, as shown an described.

**DESCRIPTION**

The claimed combined walker and wheelchair is used by the disabled and elderly as a mobility devise.

FIG. 1 is a side view of the combined walker and wheelchair showing my new design;

FIG. 2 is a top view thereof;

FIG. 3 is a bottom view thereof;

FIG. 4 is a front view thereof;

FIG. 5 is a rear view thereof;

FIG. 6 is a side view showing the side opposite to FIG. 1 thereof;

FIG. 7 is a side view of variant from the same side a FIG. 1 thereof;

FIG. 8 is a top view of variant of FIG. 7 thereof;

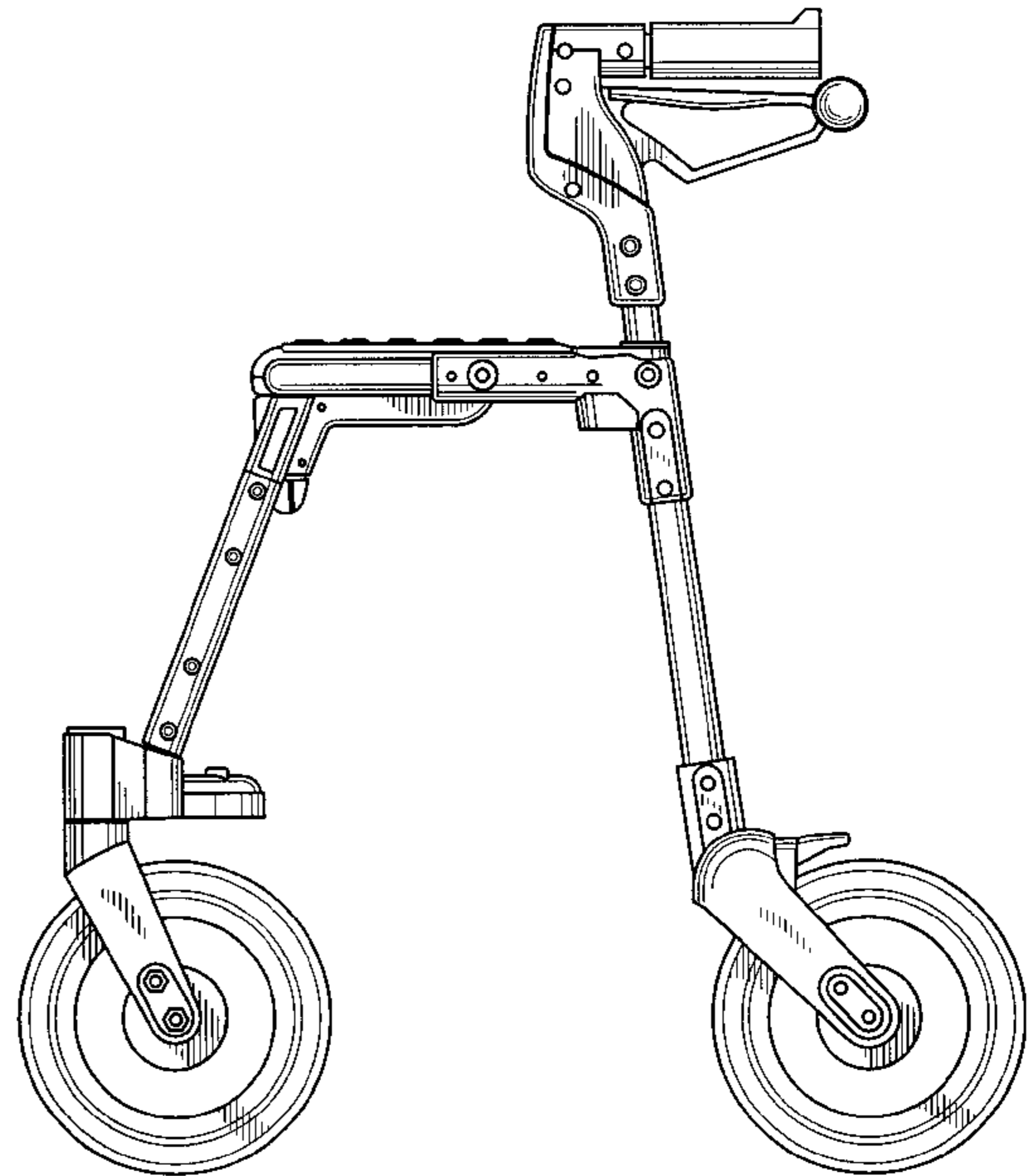
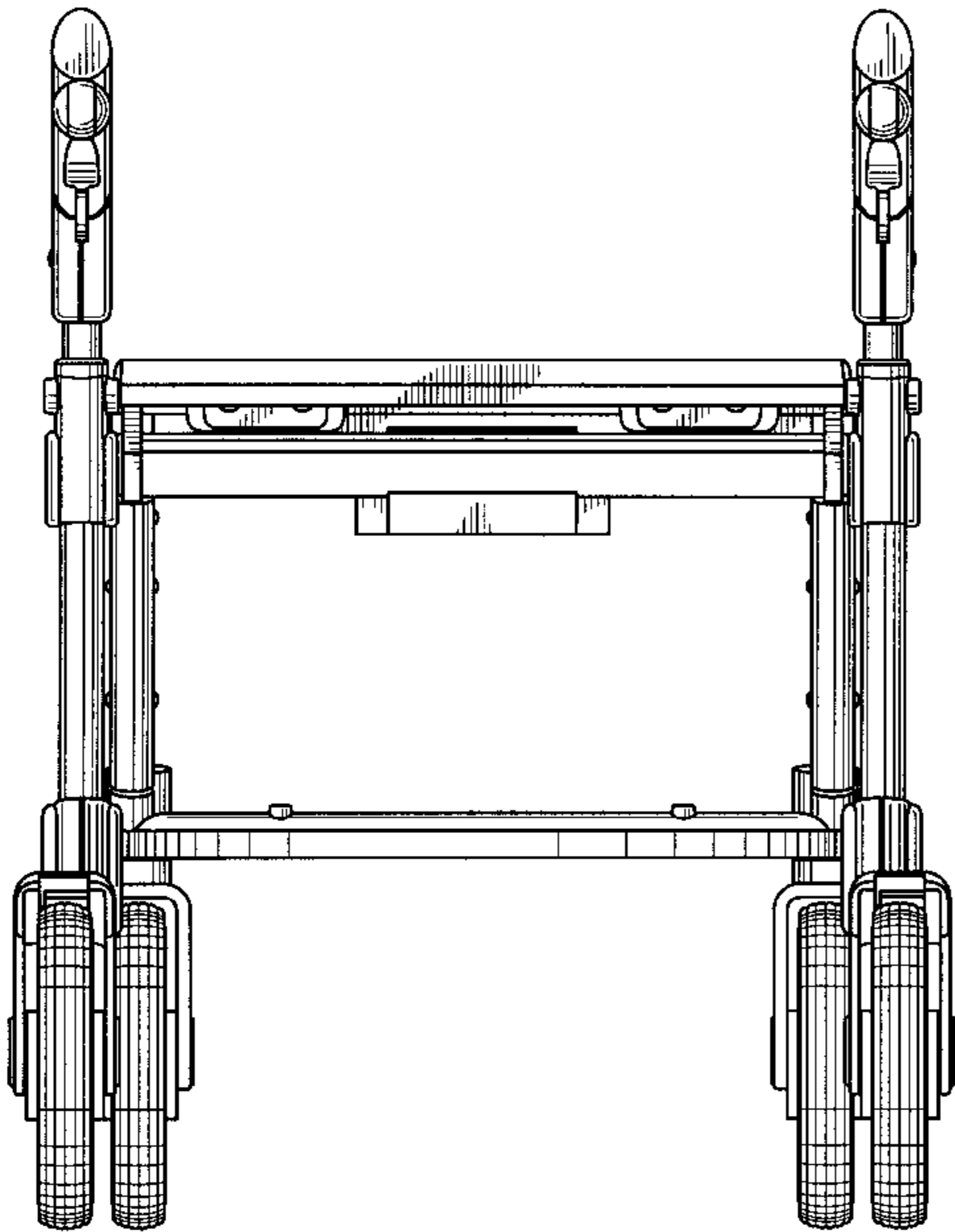
FIG. 9 is a side view as per FIG. 7 with a part reversed thereof;

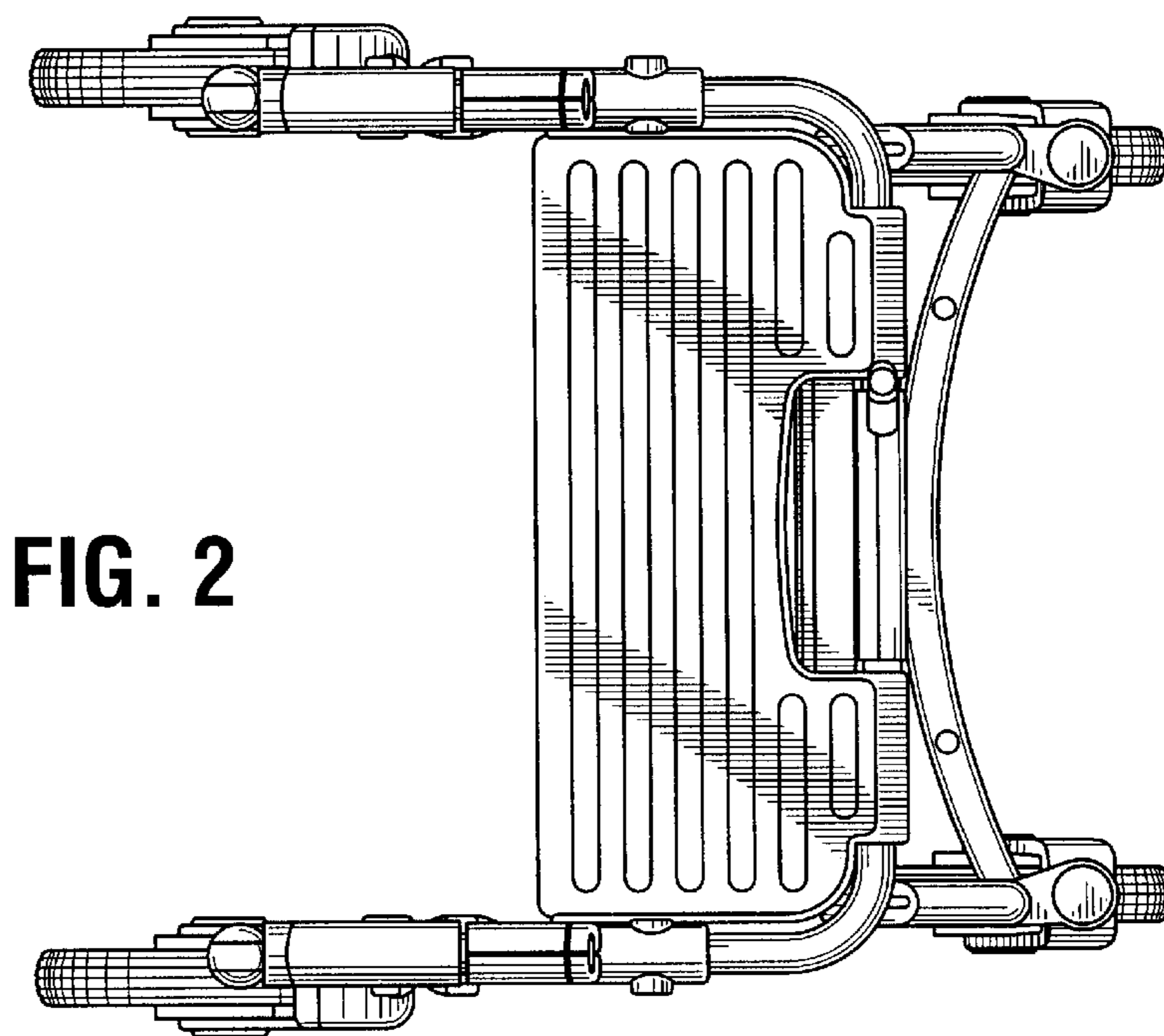
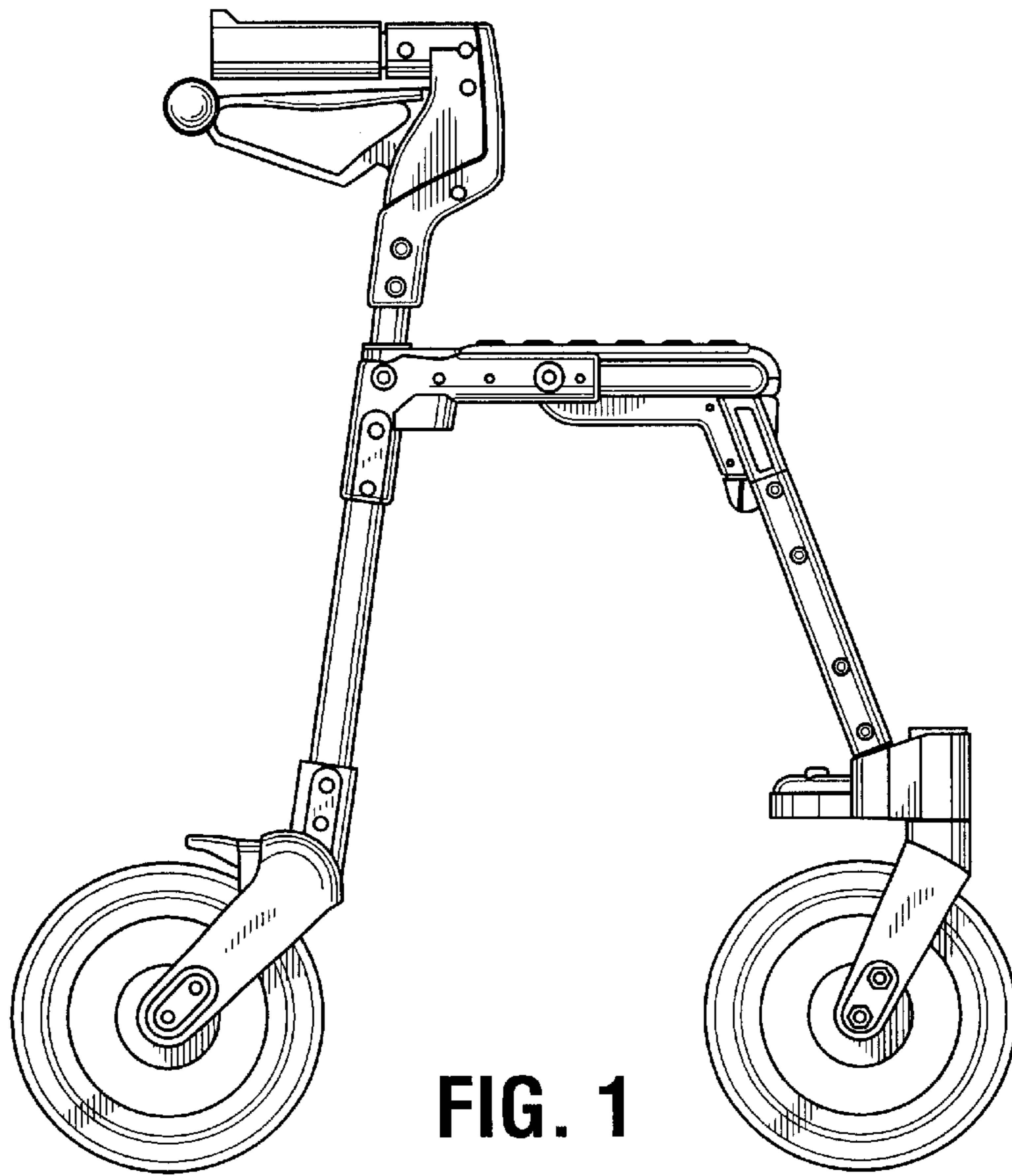
FIG. 10 is a top view with a part reversed thereof;

FIG. 11 is a side view of a variant with a footrest thereof; and,

FIG. 12 is a top view with a footrest thereof.

**1 Claim, 6 Drawing Sheets**





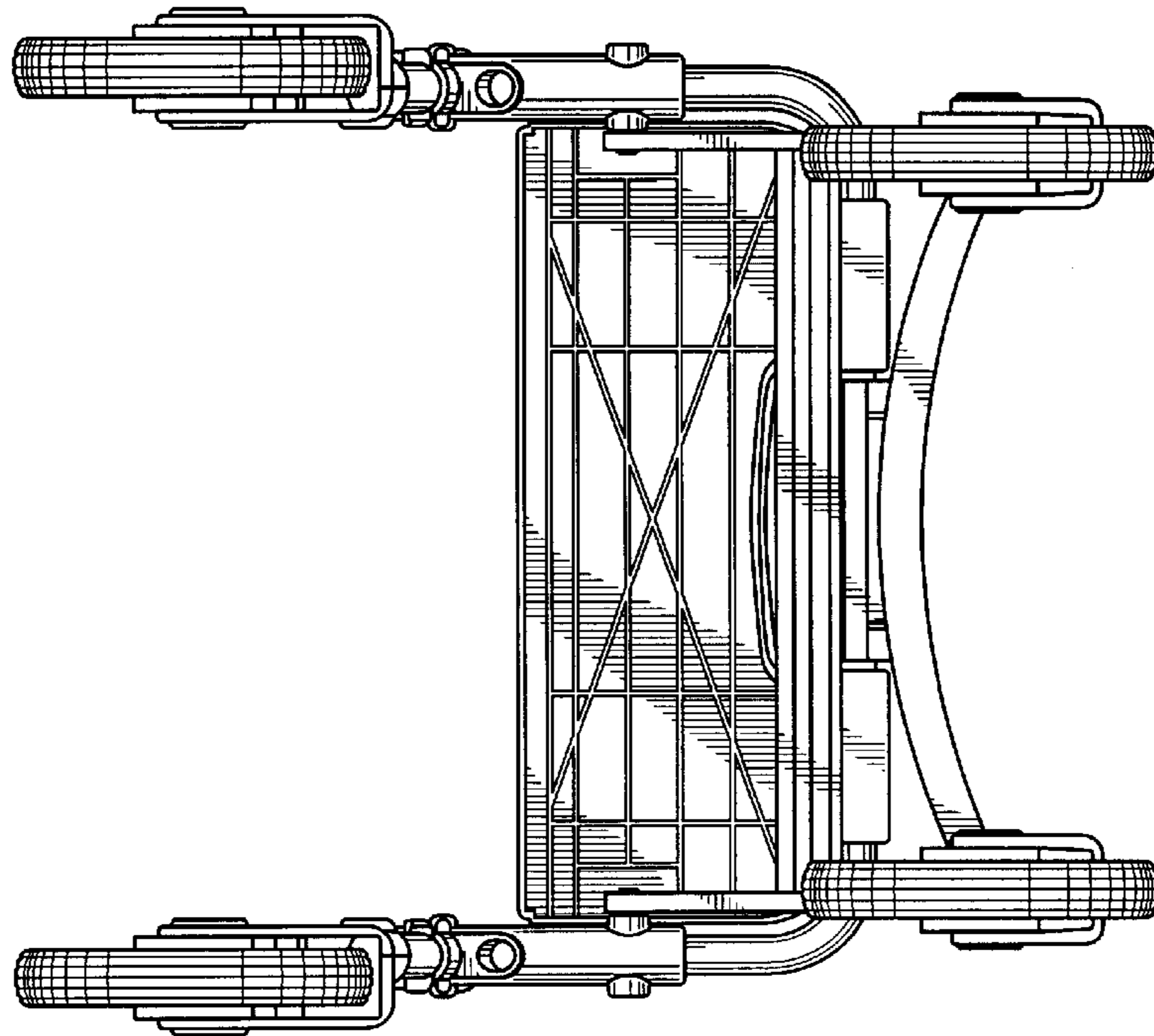


FIG. 3

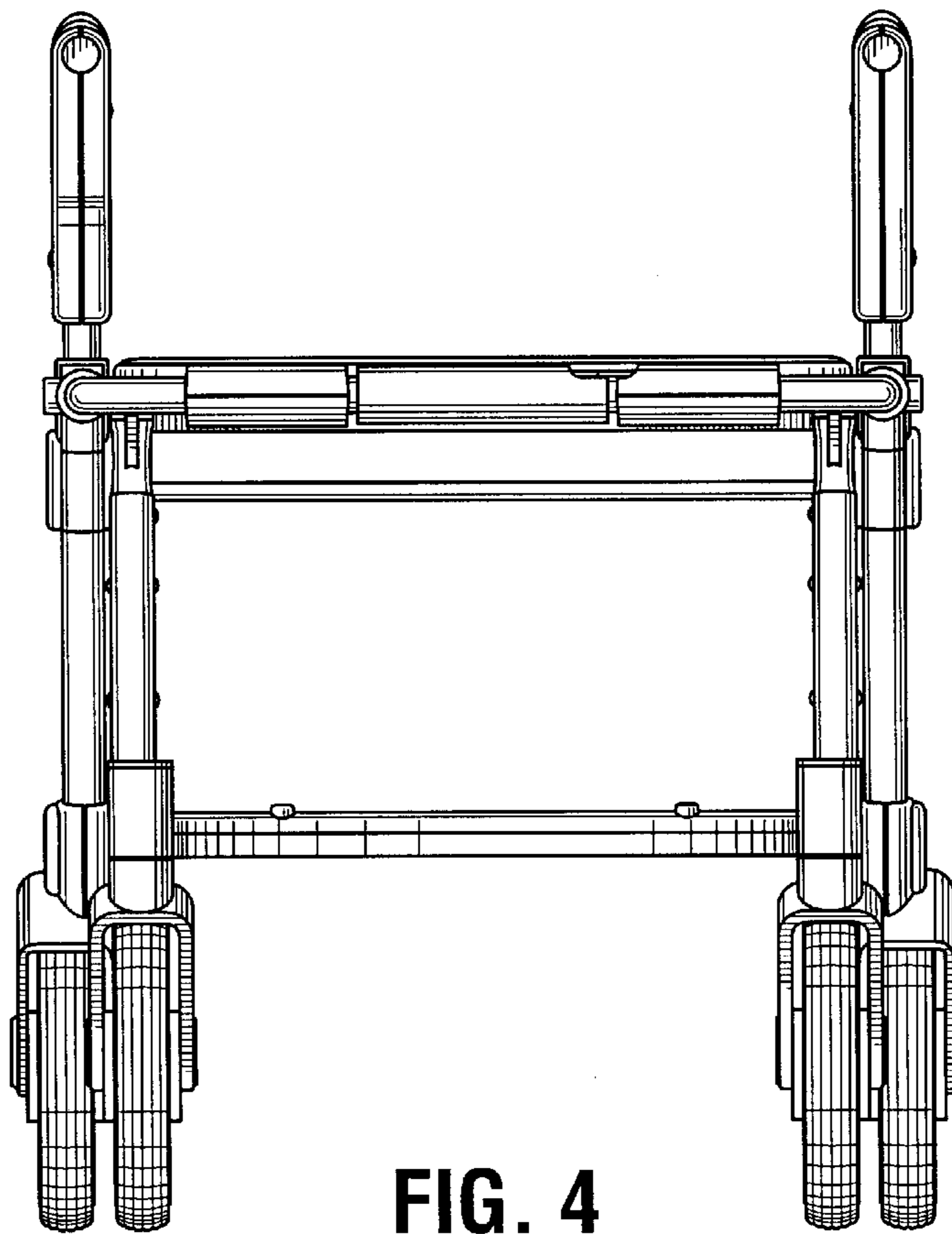


FIG. 4

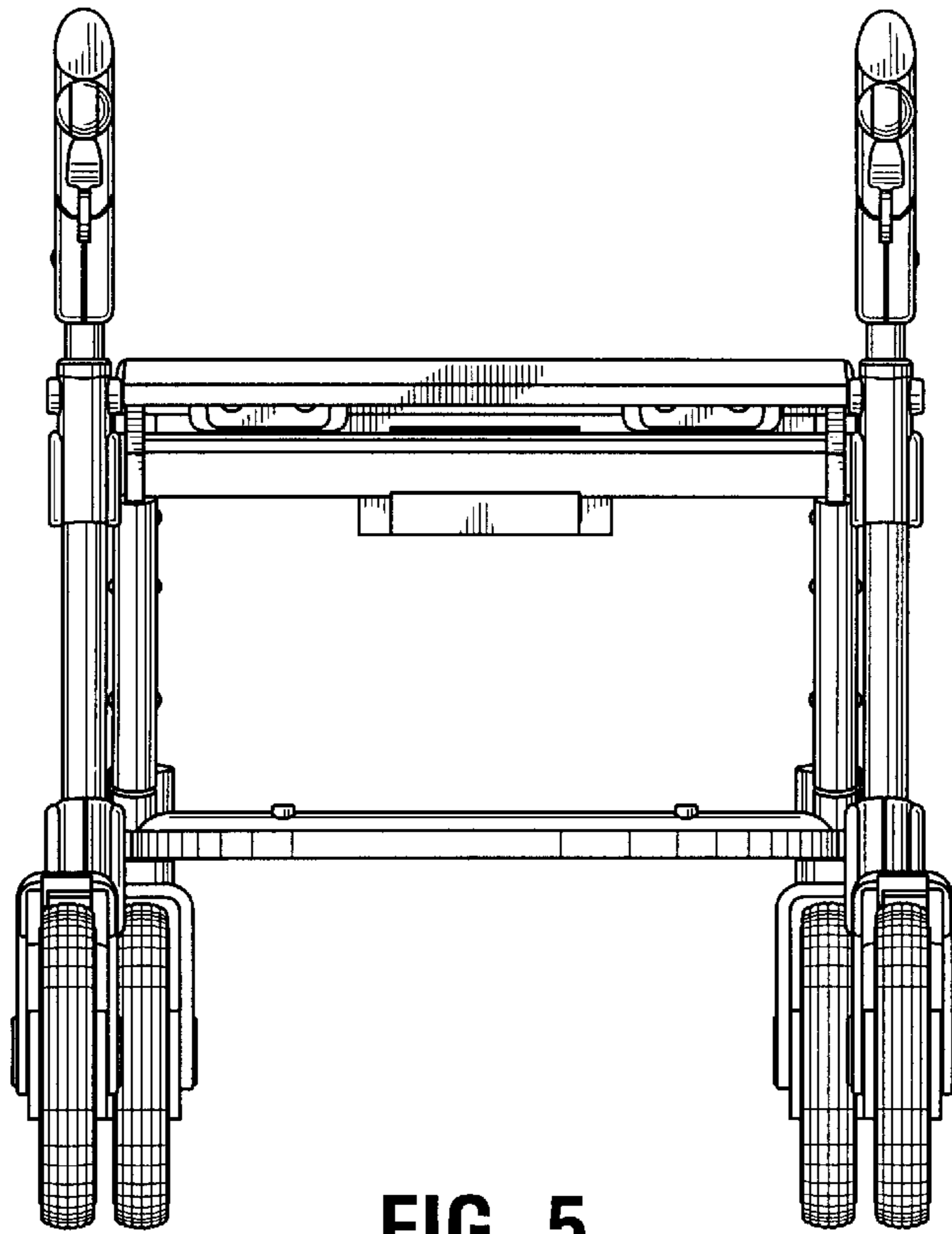


FIG. 5

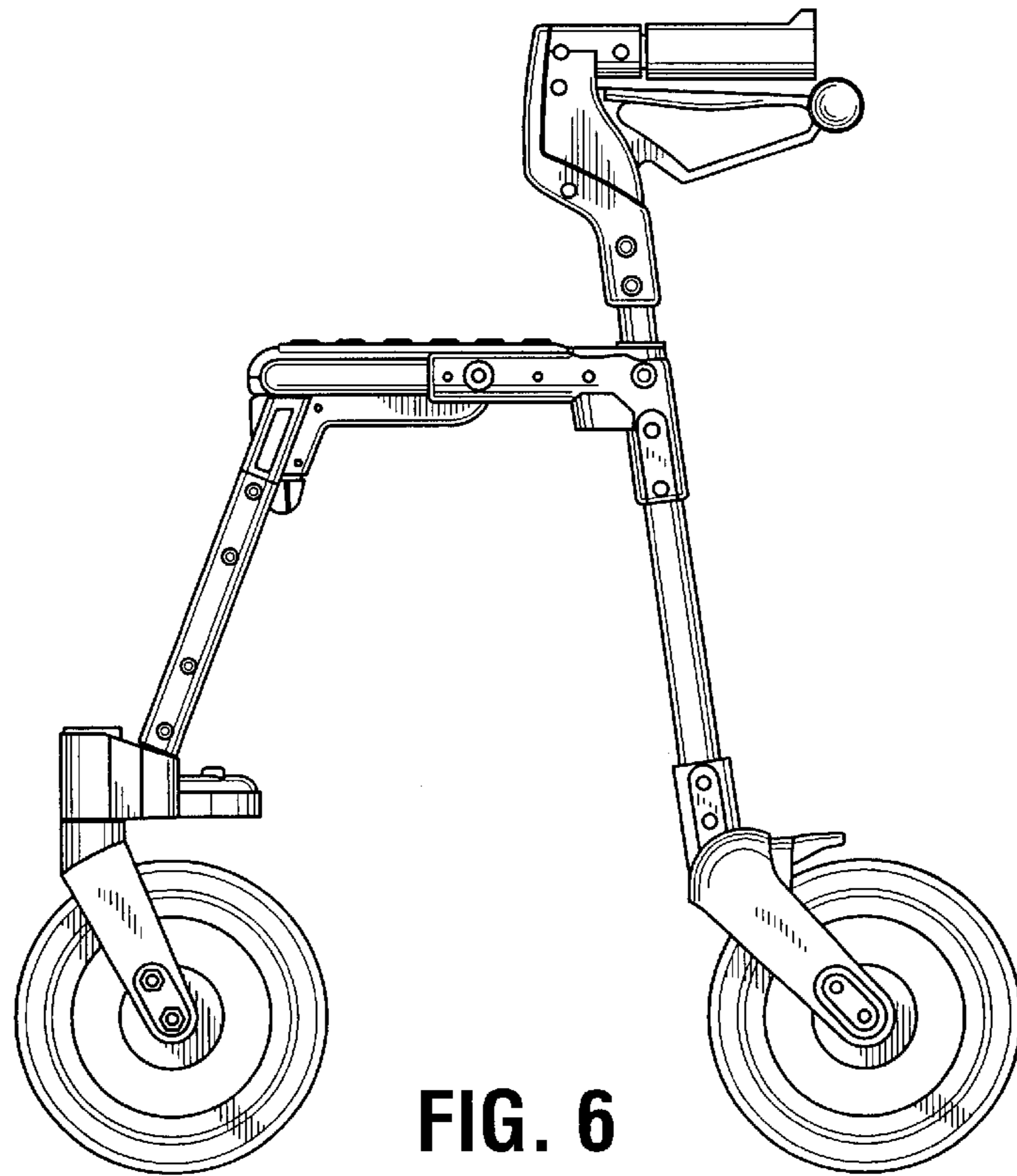


FIG. 6

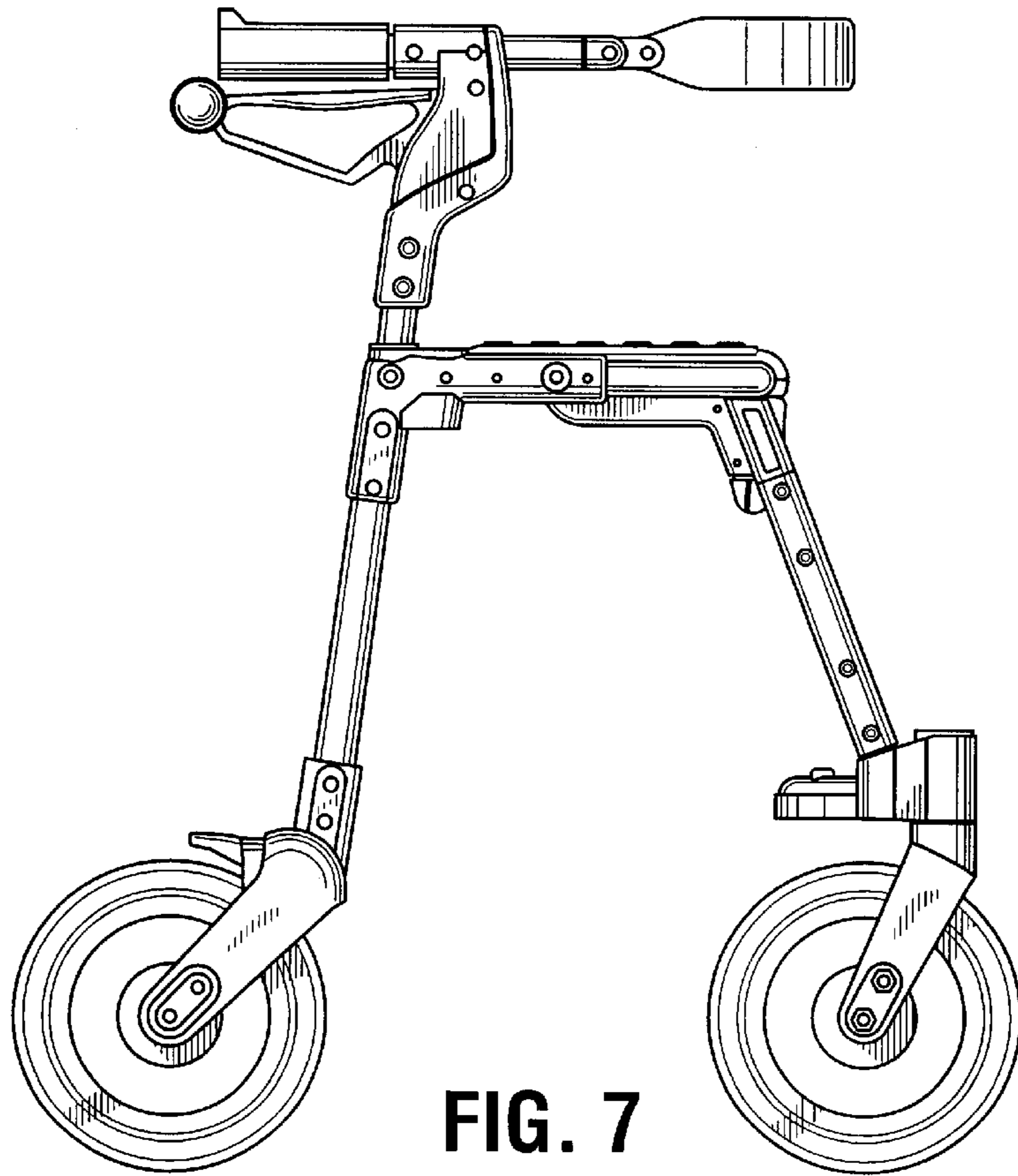


FIG. 7

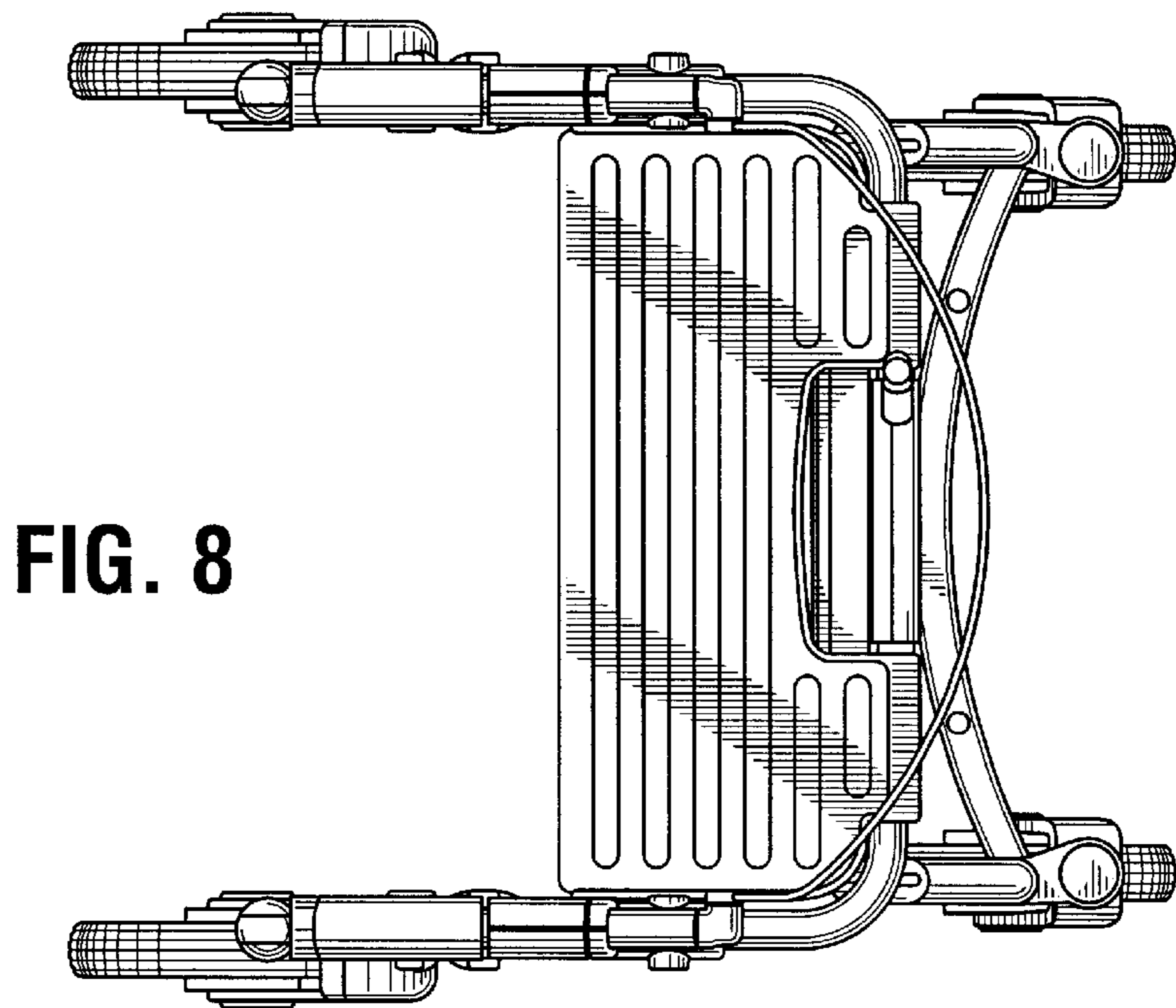


FIG. 8

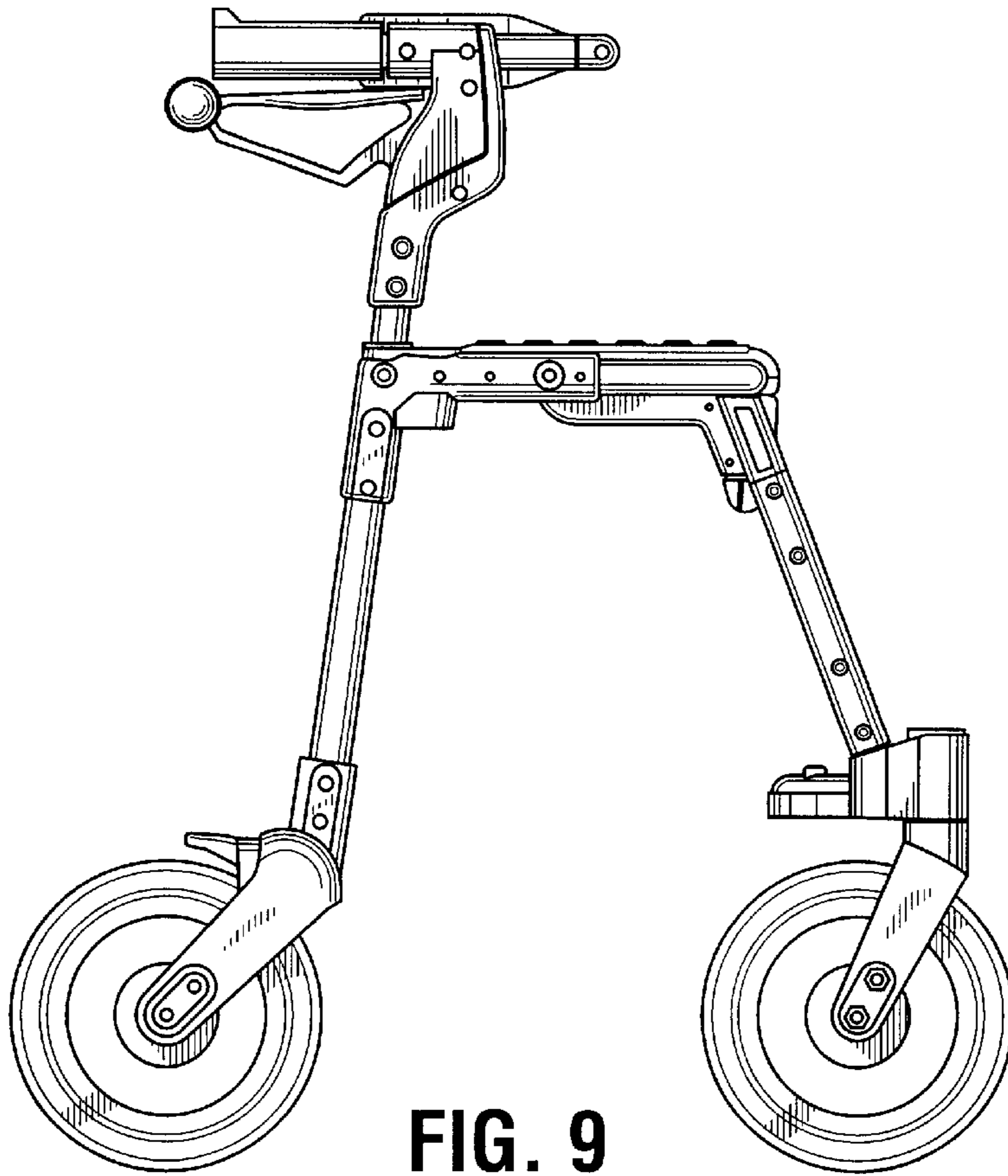


FIG. 9

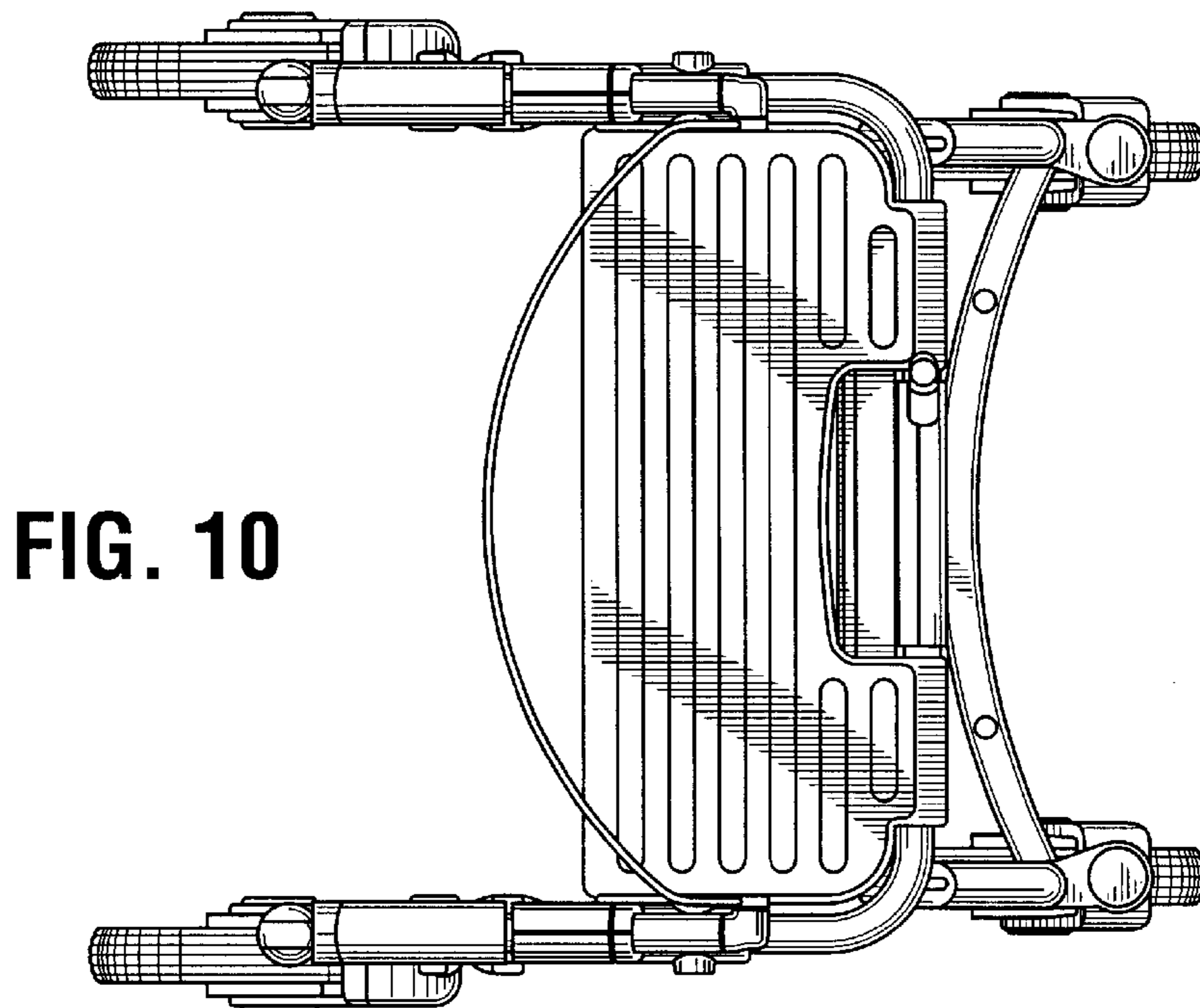


FIG. 10

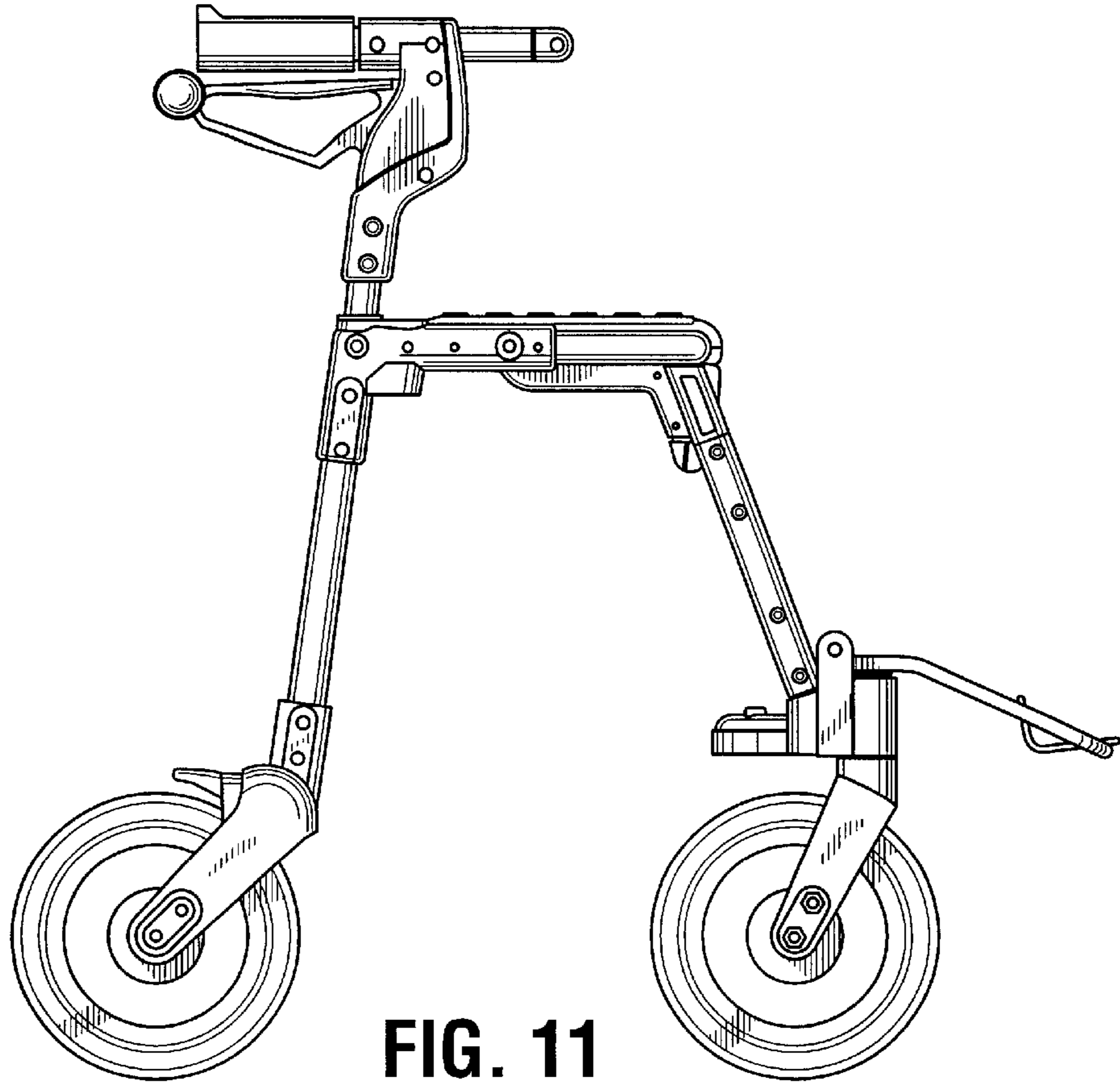


FIG. 11

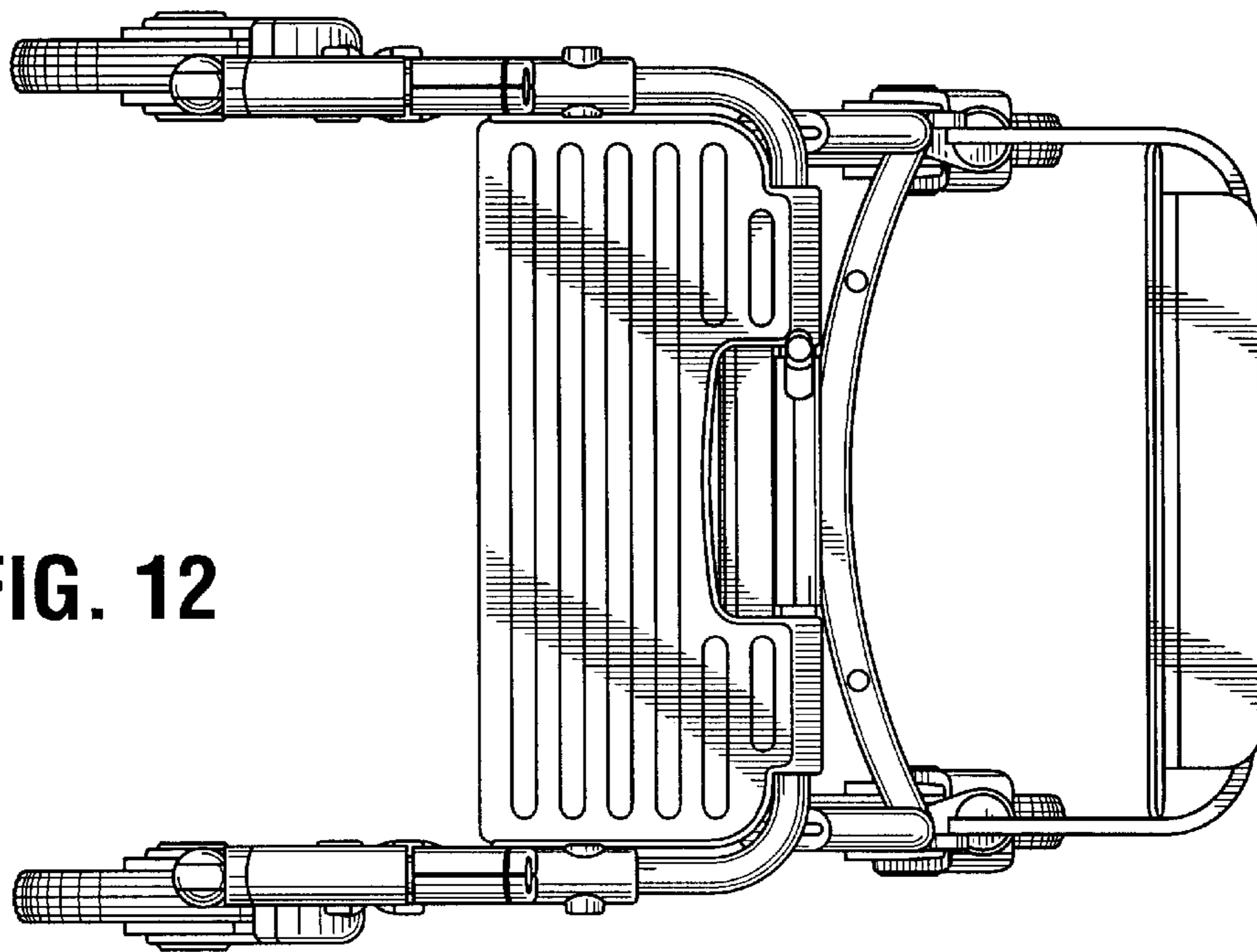


FIG. 12