



US00D451043B1

(12) **United States Design Patent**
Scholpp

(10) **Patent No.:** **US D451,043 S**

(45) **Date of Patent:** **** Nov. 27, 2001**

(54) **BATHROOM SCALE**

(75) Inventor: **Werner Scholpp**, Oberriexingen (DE)

(73) Assignee: **Beurer GmbH & Co.**, Ulm (DE)

(**) Term: **14 Years**

(21) Appl. No.: **29/137,015**

(22) Filed: **Feb. 9, 2001**

(30) **Foreign Application Priority Data**

Sep. 4, 2000 (XH) DM/052 996

(51) **LOC (7) Cl.** **10-04**

(52) **U.S. Cl.** **D10/92**

(58) **Field of Search** D10/92; 177/238-243

(56) **References Cited**

U.S. PATENT DOCUMENTS

D. 368,669 * 4/1996 Classen D10/92

D. 383,686 * 9/1997 Walther et al. D10/92

D. 415,049 * 10/1999 Plazonich D10/92

* cited by examiner

Primary Examiner—Antoine Duval Davis

(74) *Attorney, Agent, or Firm*—Herbert Dubno

(57) **CLAIM**

The ornamental design for a bathroom scale, as shown.

DESCRIPTION

FIG. 1 is a top plan view of a bathroom scale showing my new design;

FIG. 2 is a top, front, left side perspective view thereof;

FIG. 3 is a bottom plan view thereof;

FIG. 4 is a rear elevational view thereof;

FIG. 5 is a front elevational view thereof; and,

FIG. 6 is a right side elevational view thereof.

1 Claim, 6 Drawing Sheets

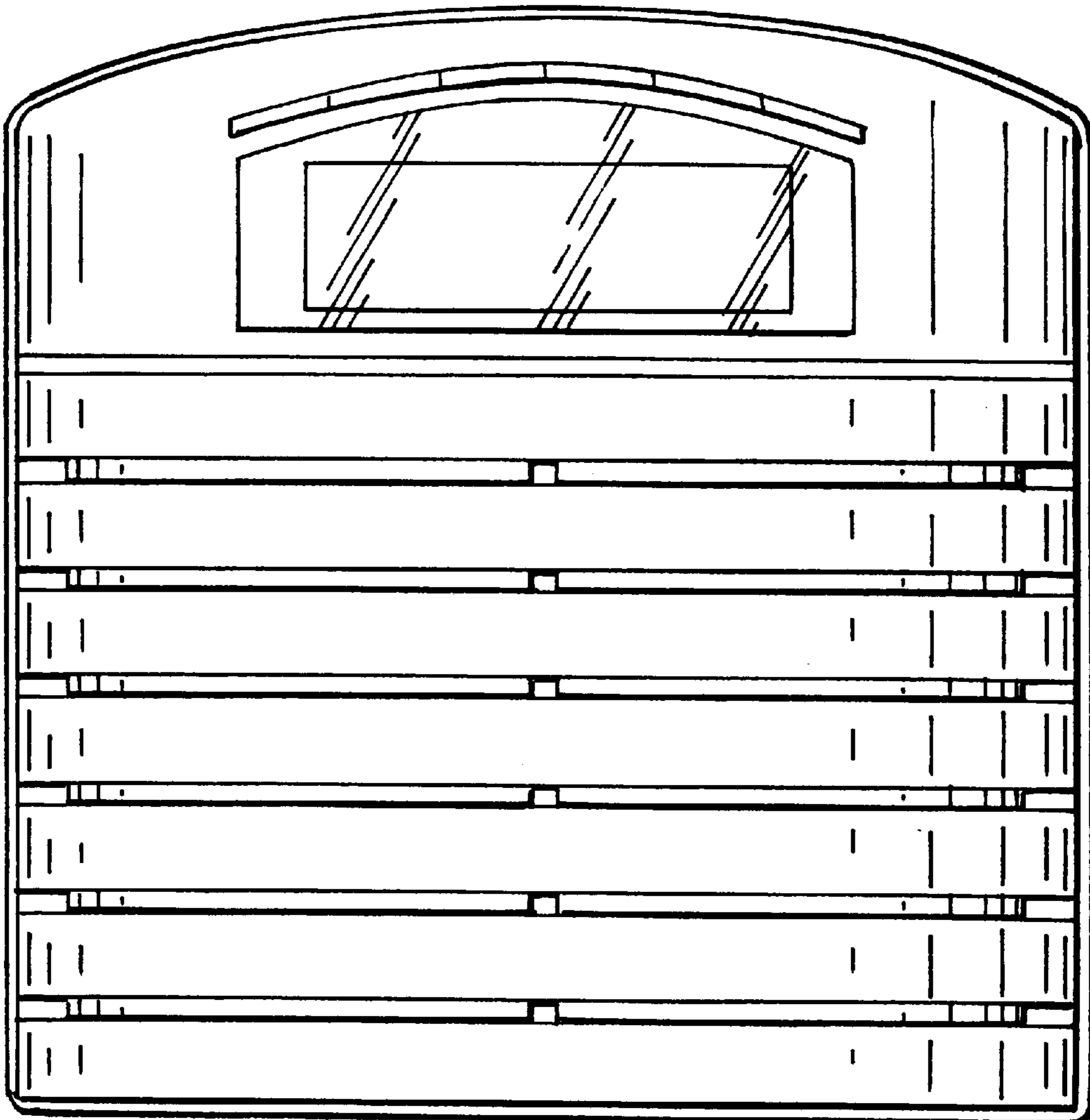
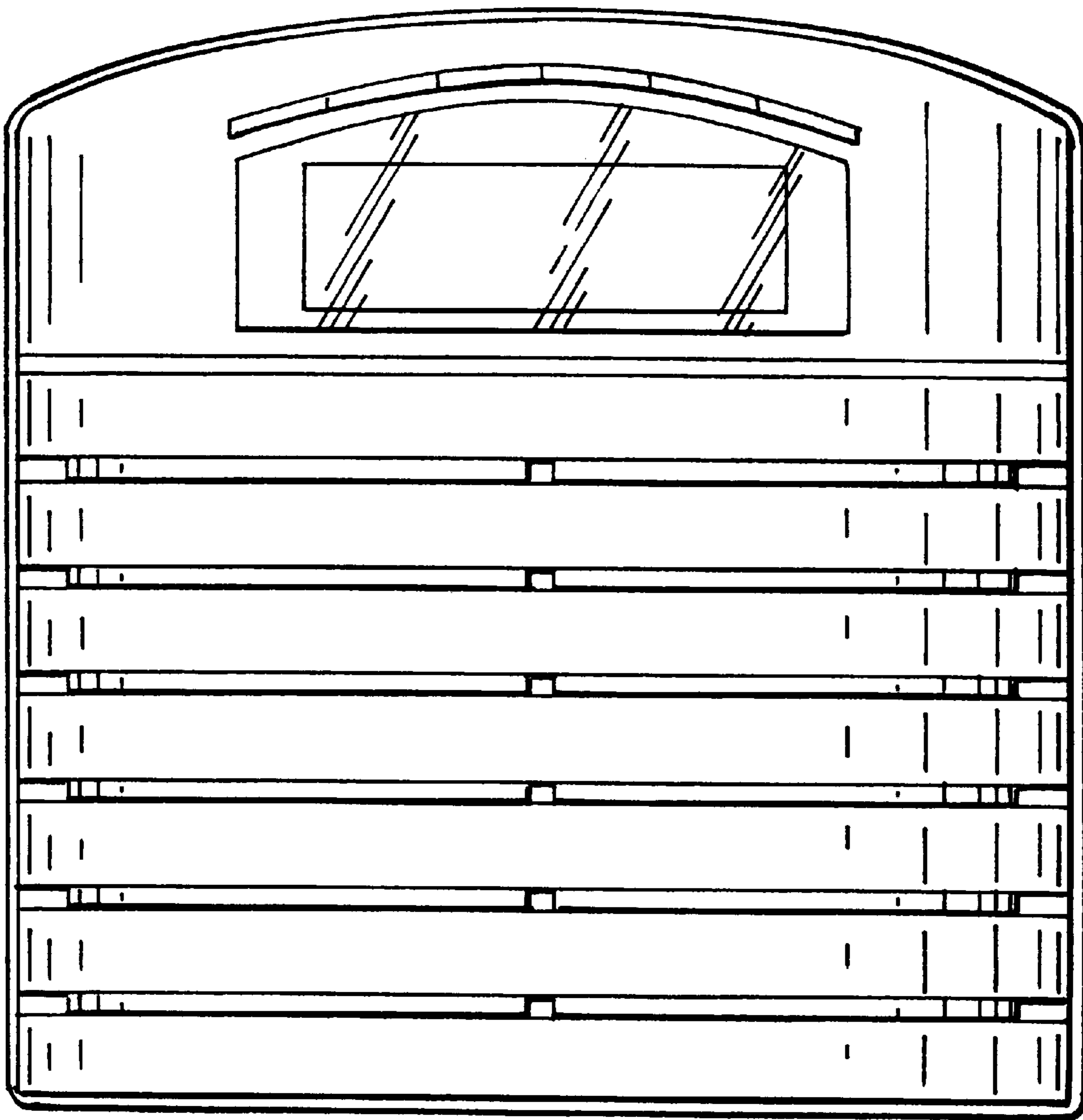


FIG. 1



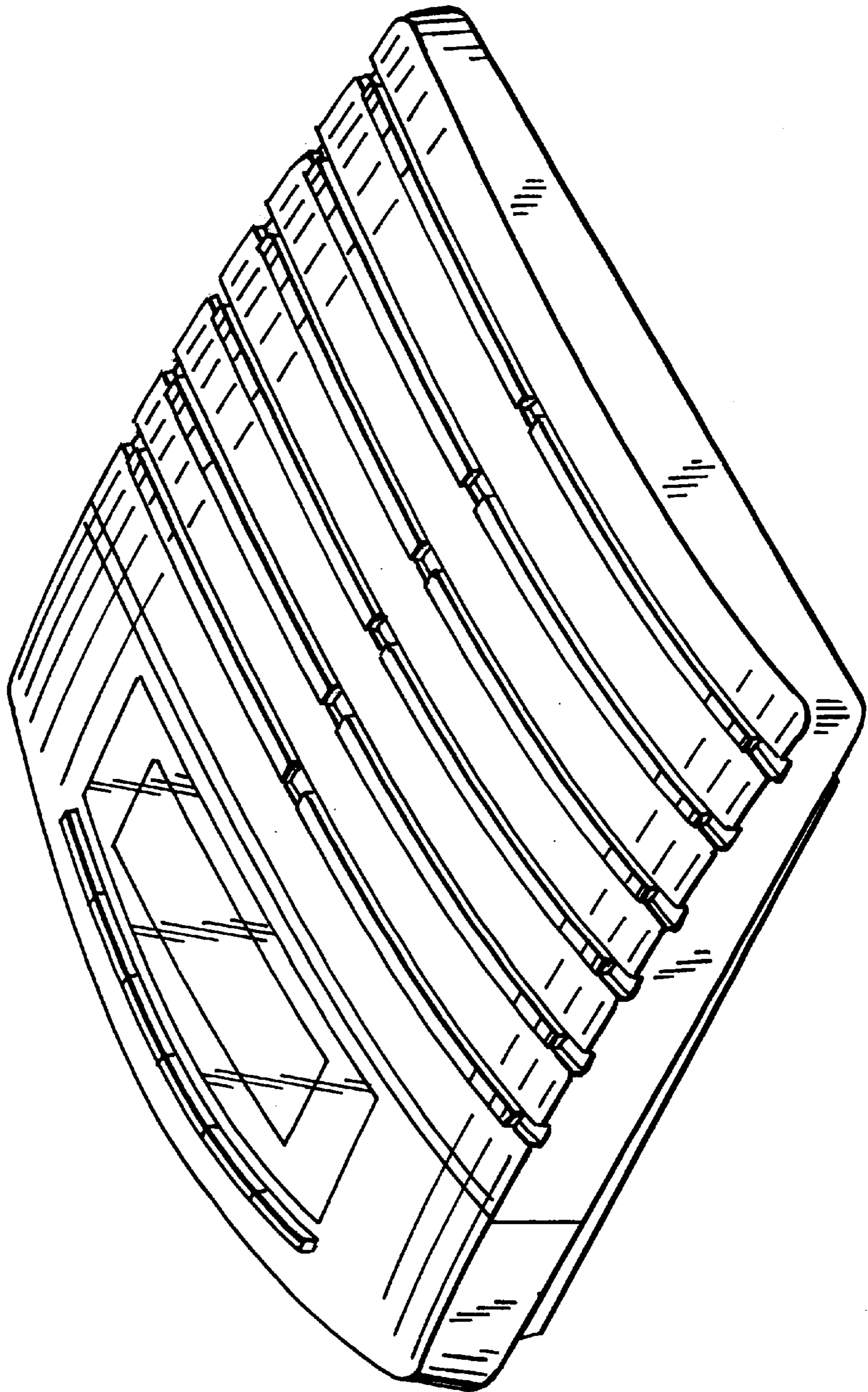


FIG. 2

FIG. 3

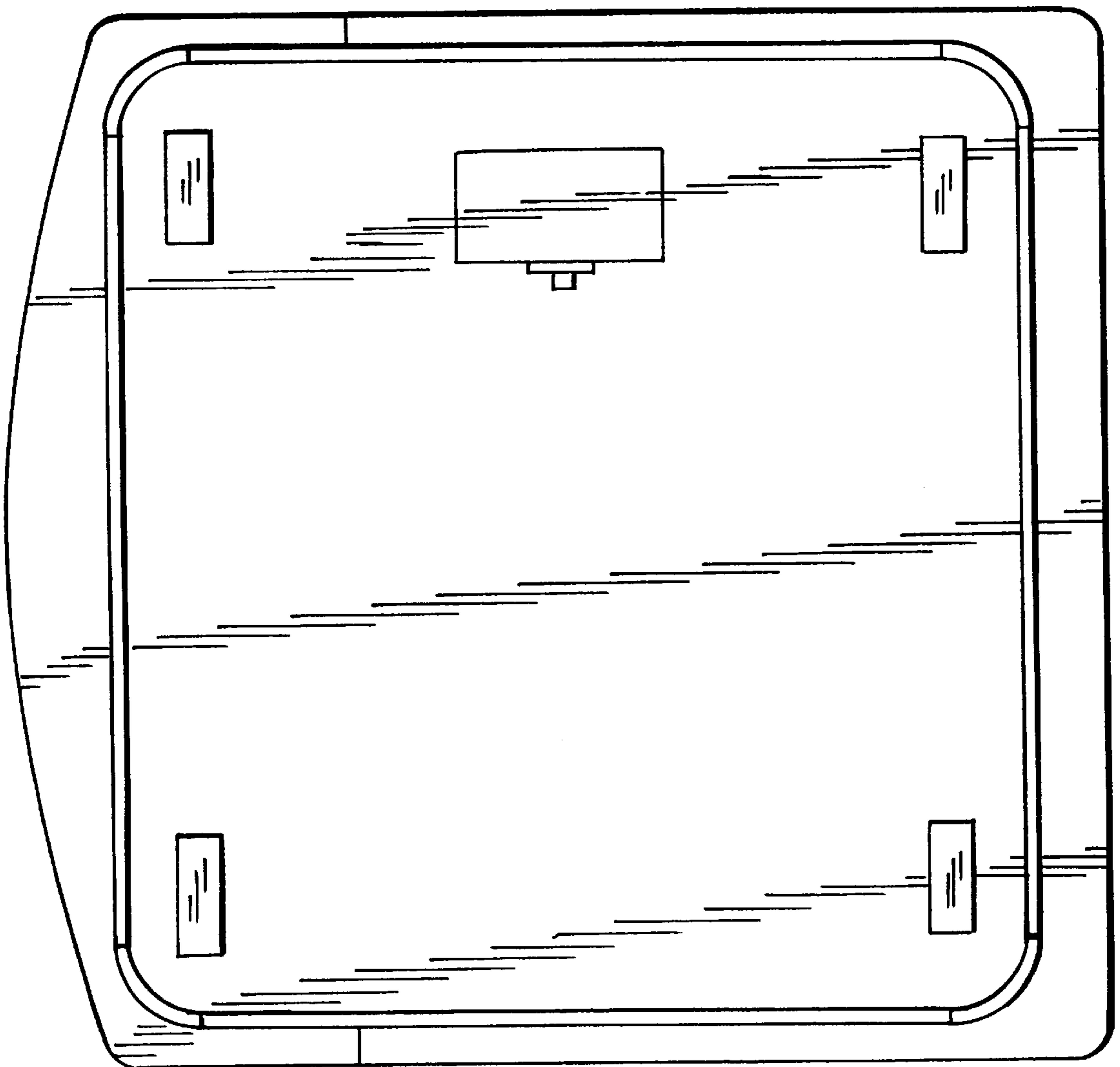


FIG. 4

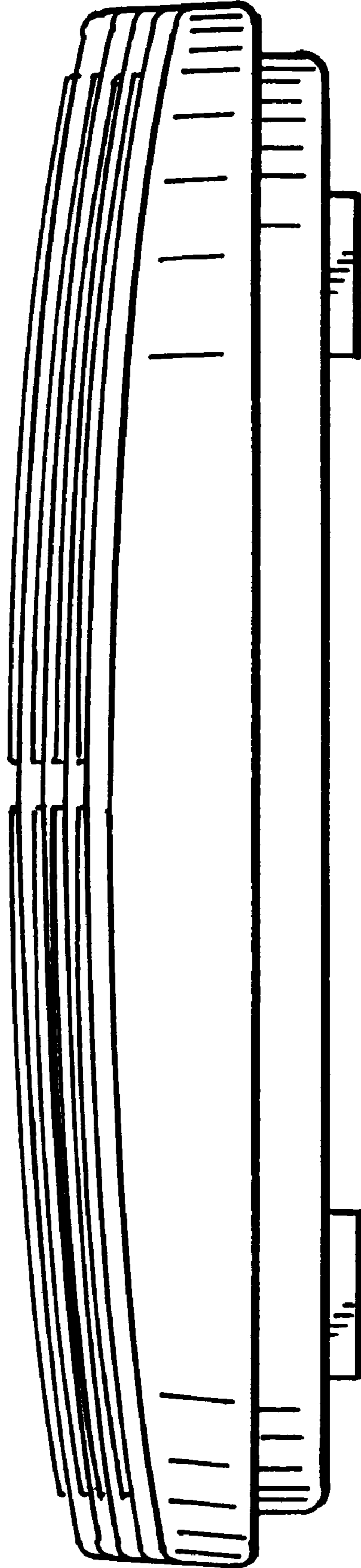


FIG. 5

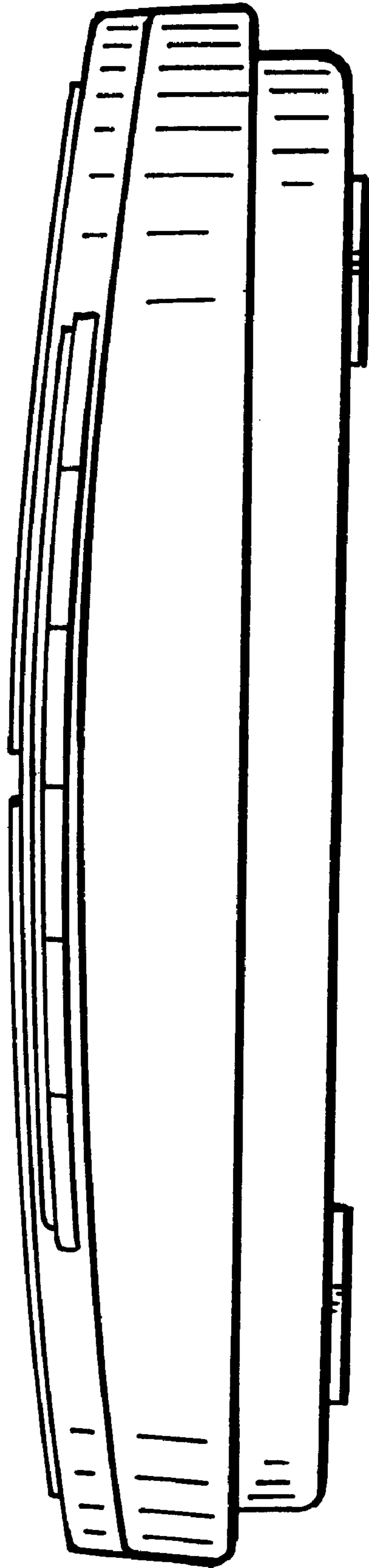


FIG. 6

