



US00D451040B1

(12) **United States Design Patent**  
**Szumer**

(10) **Patent No.:** **US D451,040 S**

(45) **Date of Patent:** **\*\* Nov. 27, 2001**

(54) **RULER WITH SLIDING BUBBLE VIALS**

(75) Inventor: **Emanuel Hillel Szumer**, Beit Hakerem (IL)

(73) Assignee: **Kapro Industries Ltd.**, Kibbutz Kadarim (IL)

(\*\*) Term: **14 Years**

(21) Appl. No.: **29/136,310**

(22) Filed: **Jan. 30, 2001**

(51) **LOC (7) Cl.** ..... **10-04**

(52) **U.S. Cl.** ..... **D10/71; D10/62; D10/69**

(58) **Field of Search** ..... D10/62, 69, 71; 33/365, 367, 451, 458, 452, 478, 484

(56) **References Cited**

**U.S. PATENT DOCUMENTS**

- D. 333,991 \* 3/1993 Lee ..... D10/62
- D. 360,371 \* 7/1995 O'Hare et al. .... D10/62
- D. 394,818 \* 6/1998 Hutchins ..... D10/62

D. 432,928 \* 10/2000 Garrett ..... D10/62

\* cited by examiner

*Primary Examiner*—Antoine Duval Davis

(74) *Attorney, Agent, or Firm*—Alphapatent Associates Ltd.; Daniel J. Swirsky

(57) **CLAIM**

The ornamental design for a ruler with sliding bubble vials, as shown.

**DESCRIPTION**

The nature and intended use of the article in which the design is embodied is that of a ruler with sliding bubble vials, used for marking and making measurements on walls and the like. The ruler may be used for making measurements and the bubble vials indicate if the ruler is being held in a horizontal or vertical manner.

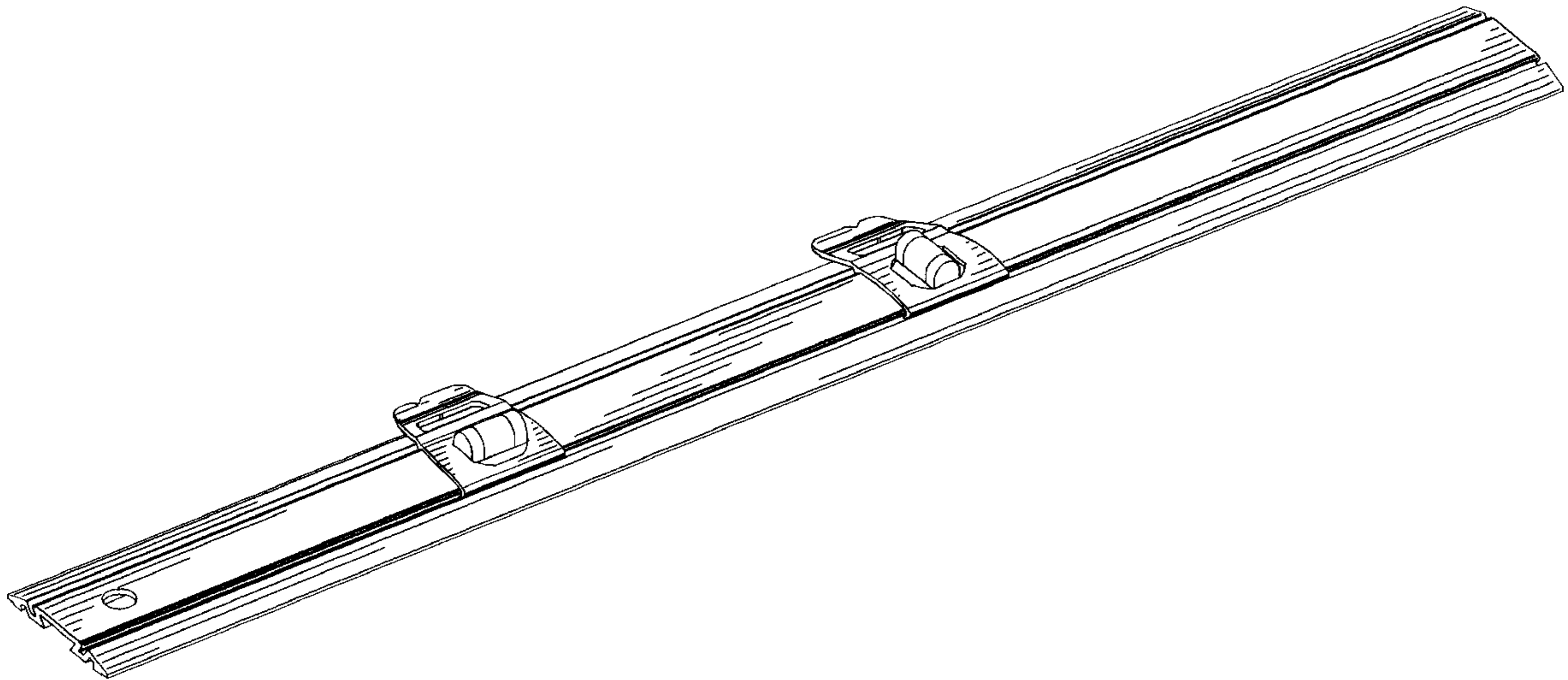
FIG. 1 is a top view of a ruler with sliding bubble vials, showing our new design;

FIG. 2 is a left end view thereof;

FIG. 3 is a front view thereof; and,

FIG. 4 is a perspective view thereof.

**1 Claim, 2 Drawing Sheets**



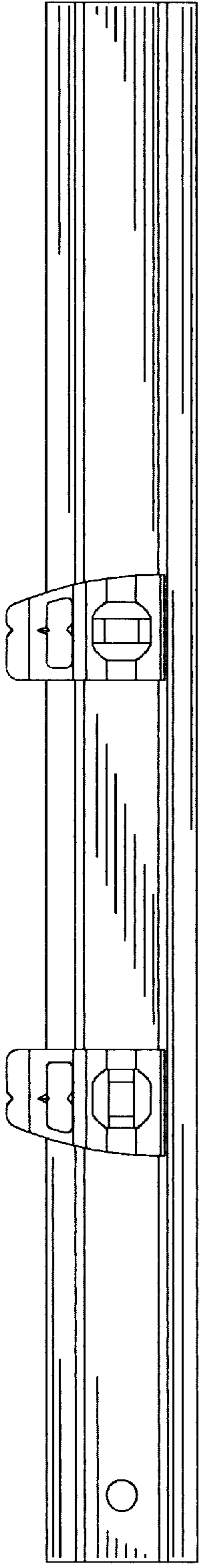


FIG.1



FIG.2



FIG.3

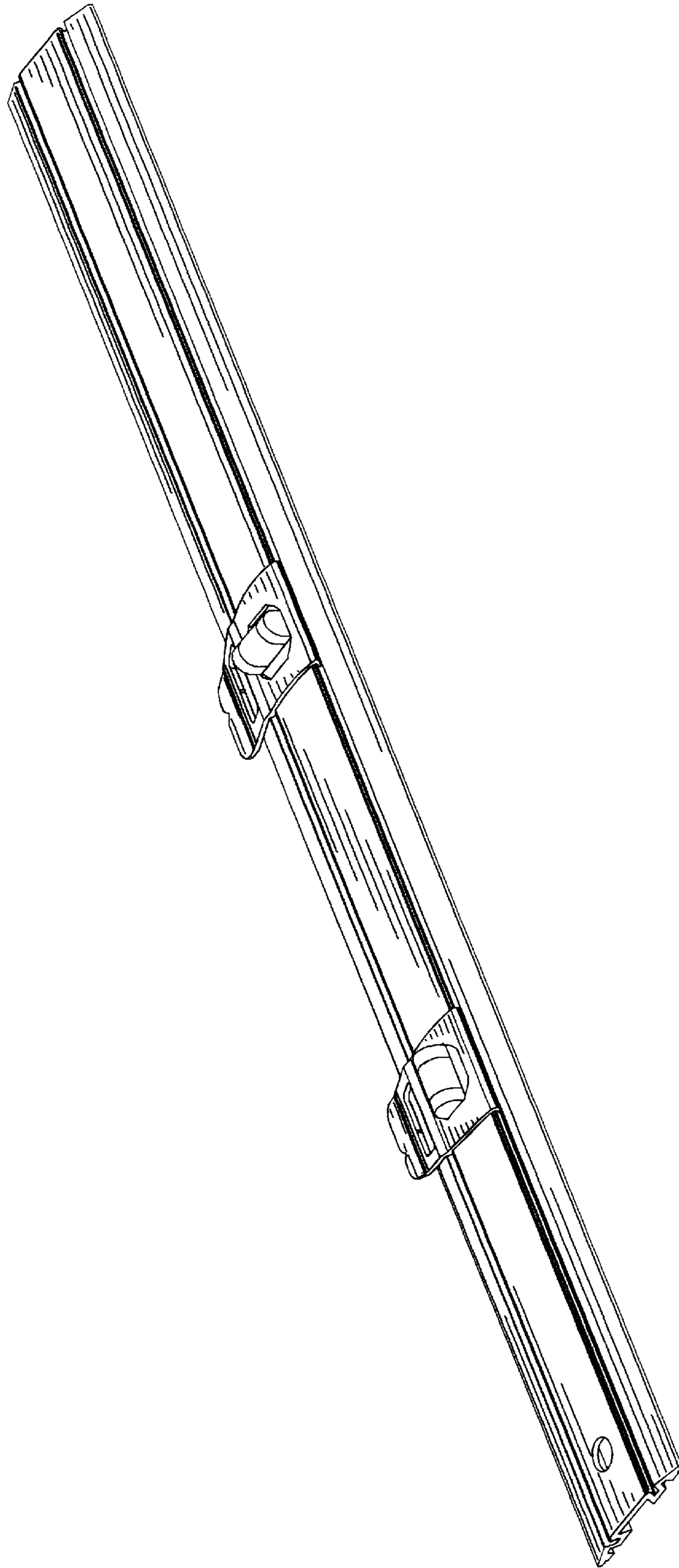


FIG.4