



US00D451037B1

(12) **United States Design Patent**
Jacobs et al.

(10) **Patent No.:** **US D451,037 S**

(45) **Date of Patent:** **** Nov. 27, 2001**

(54) **EASY SET 3 DIAL TIMER**

4,807,664 * 2/1989 Wilson et al. 137/624.11
5,826,619 * 10/1998 Roman 37/624.11

(75) Inventors: **Scott Jacobs**, Bloomington; **Gary Redhead**, East Peoria; **Randy Symonds**, Peoria; **Joyce Thomas**, Lexington, all of IL (US)

OTHER PUBLICATIONS

Gardena brochure, 1996, Gardena Water Computer 1030, p. 31.*

(73) Assignee: **L. R. Nelson Corporation**, Peoria, IL (US)

* cited by examiner

(**) Term: **14 Years**

Primary Examiner—Caron D. Veynar

Assistant Examiner—Elizabeth A. Albert

(21) Appl. No.: **29/120,149**

(74) *Attorney, Agent, or Firm*—Mayer, Brown & Platt

(22) Filed: **Mar. 13, 2000**

(57) **CLAIM**

The ornamental design for a easy set 3 dial timer, as shown and described.

(51) **LOC (7) Cl.** **10-03**

(52) **U.S. Cl.** **D10/40**

(58) **Field of Search** D10/1-5, 14-41,
D10/96, 99, 101; D23/214, 245; 239/67-70;
137/624.11; 368/96-100

DESCRIPTION

FIG. 1 is a perspective view of a easy set 3 dial timer showing our new design;

FIG. 2 is a top plan view thereof;

FIG. 3 is a bottom plan view thereof,

FIG. 4 is a front elevational view thereof;

FIG. 5 is a right side elevational view thereof,

FIG. 6 is a left side elevational view thereof; and,

FIG. 7 is a rear elevational view thereof.

(56) **References Cited**

U.S. PATENT DOCUMENTS

- D. 365,771 * 1/1996 Clivio D10/96
- D. 377,316 * 1/1997 Roman et al. D23/245
- D. 430,044 * 8/2000 Clivio D10/40
- D. 431,195 * 9/2000 Clivio D10/40

1 Claim, 4 Drawing Sheets

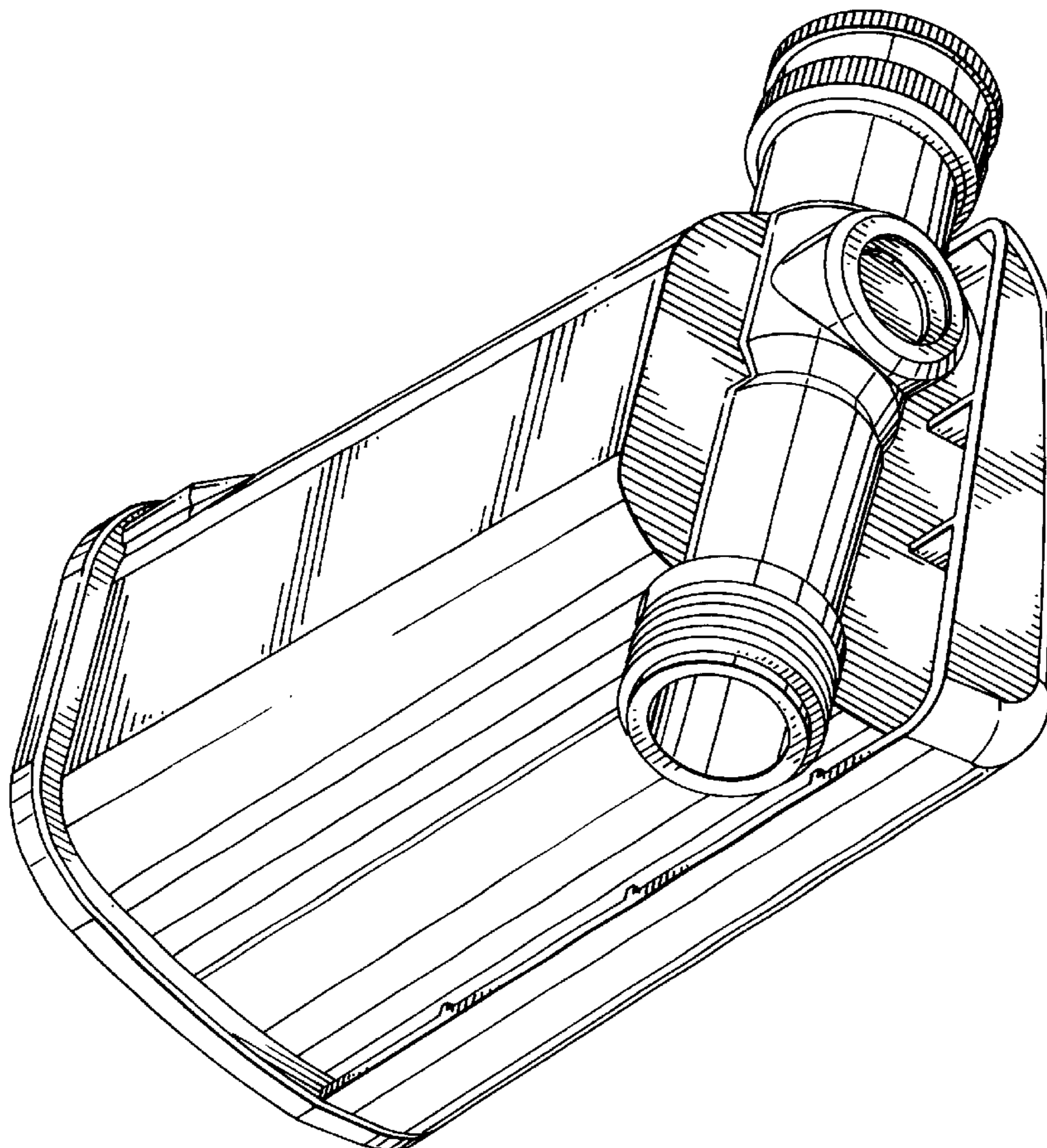


FIG. 1

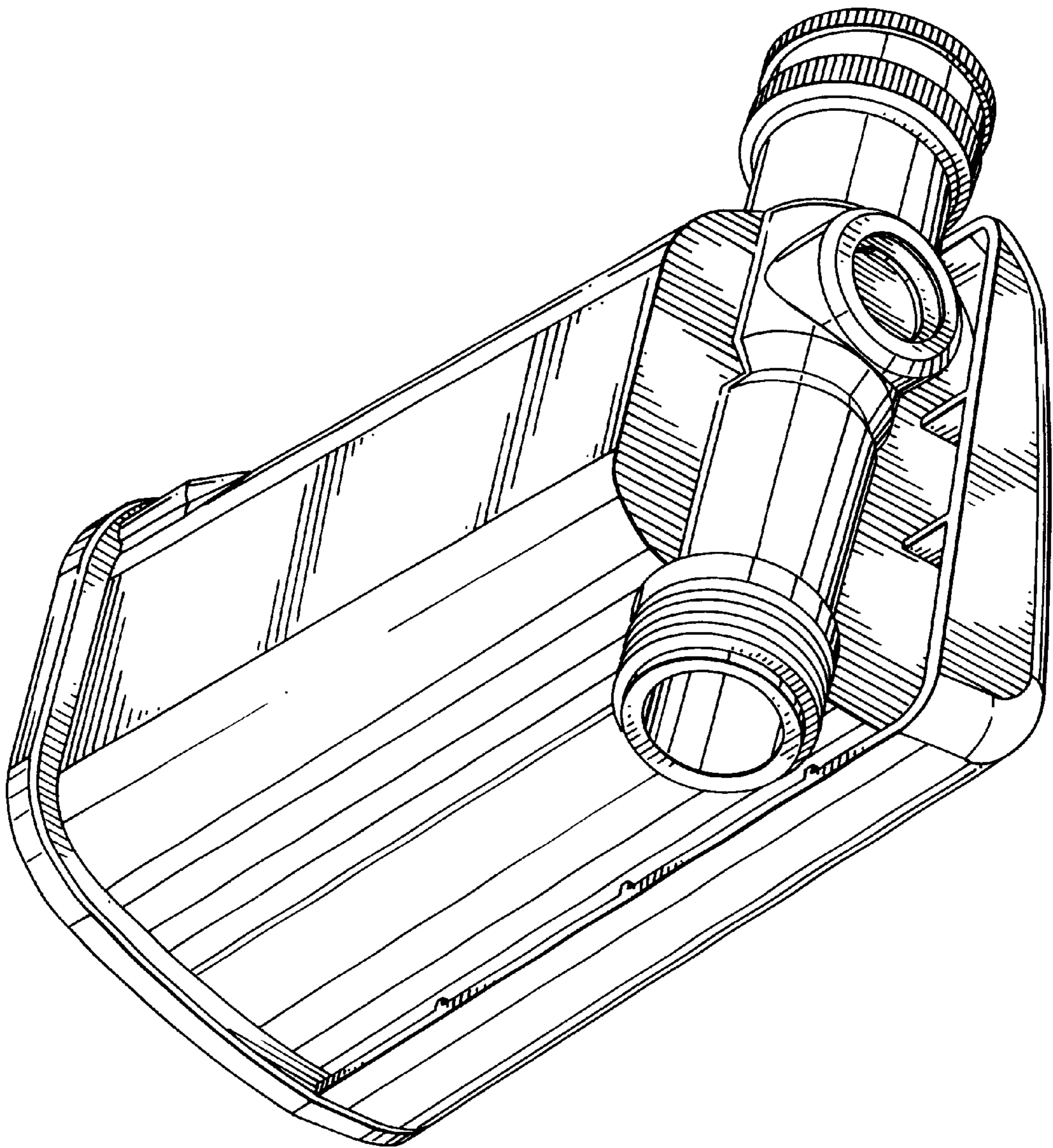


FIG. 2

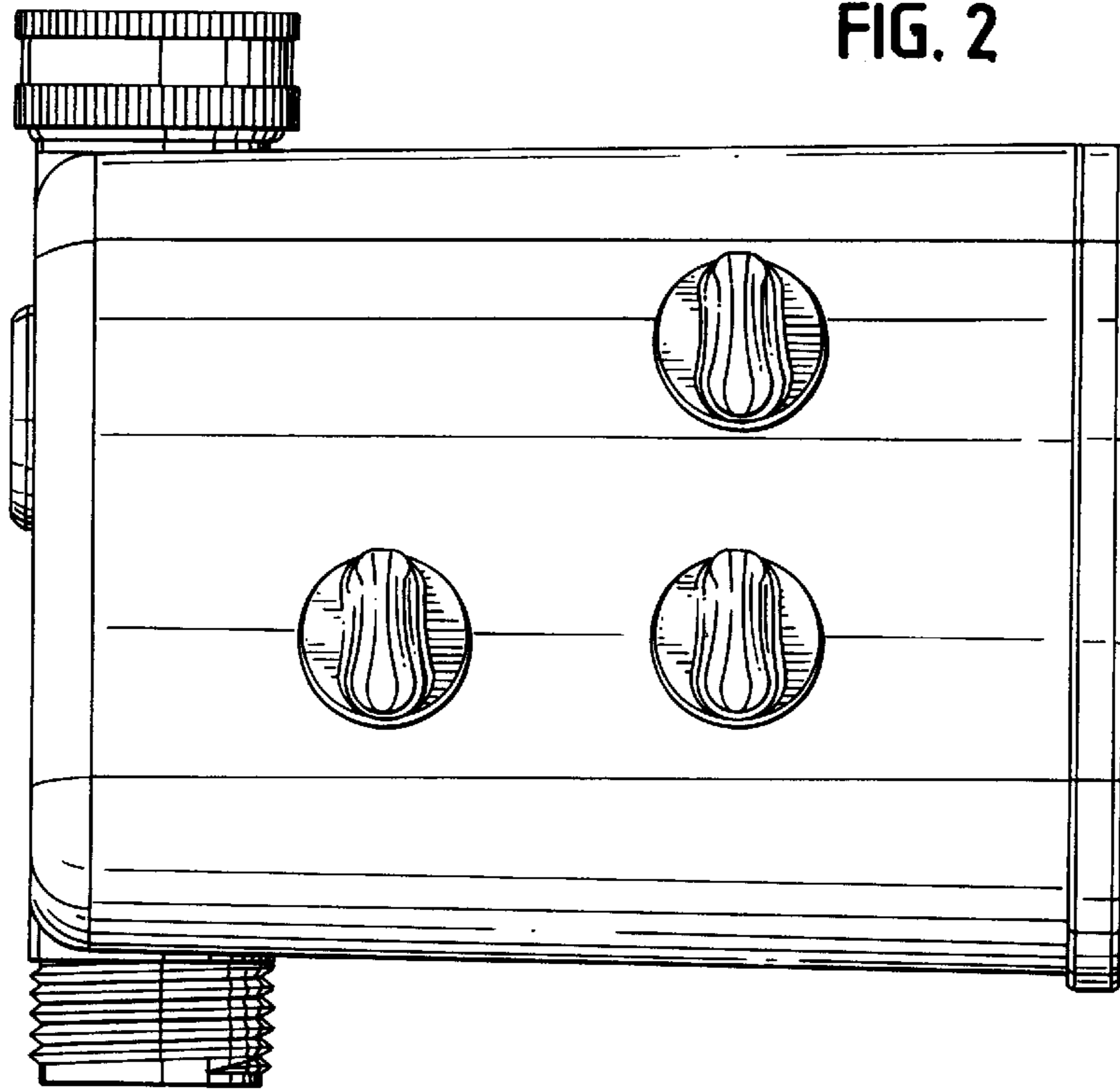


FIG. 3

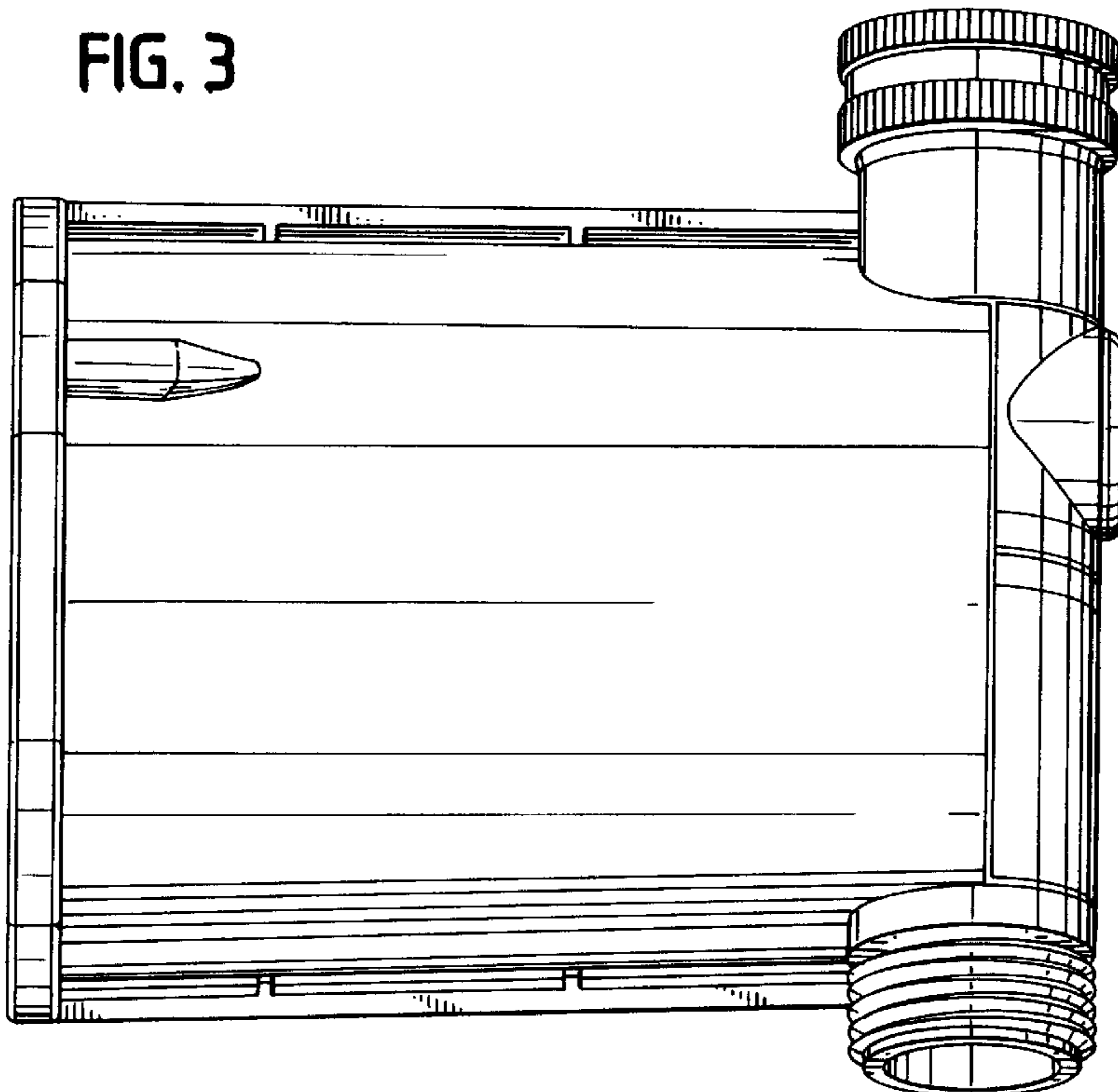


FIG. 4

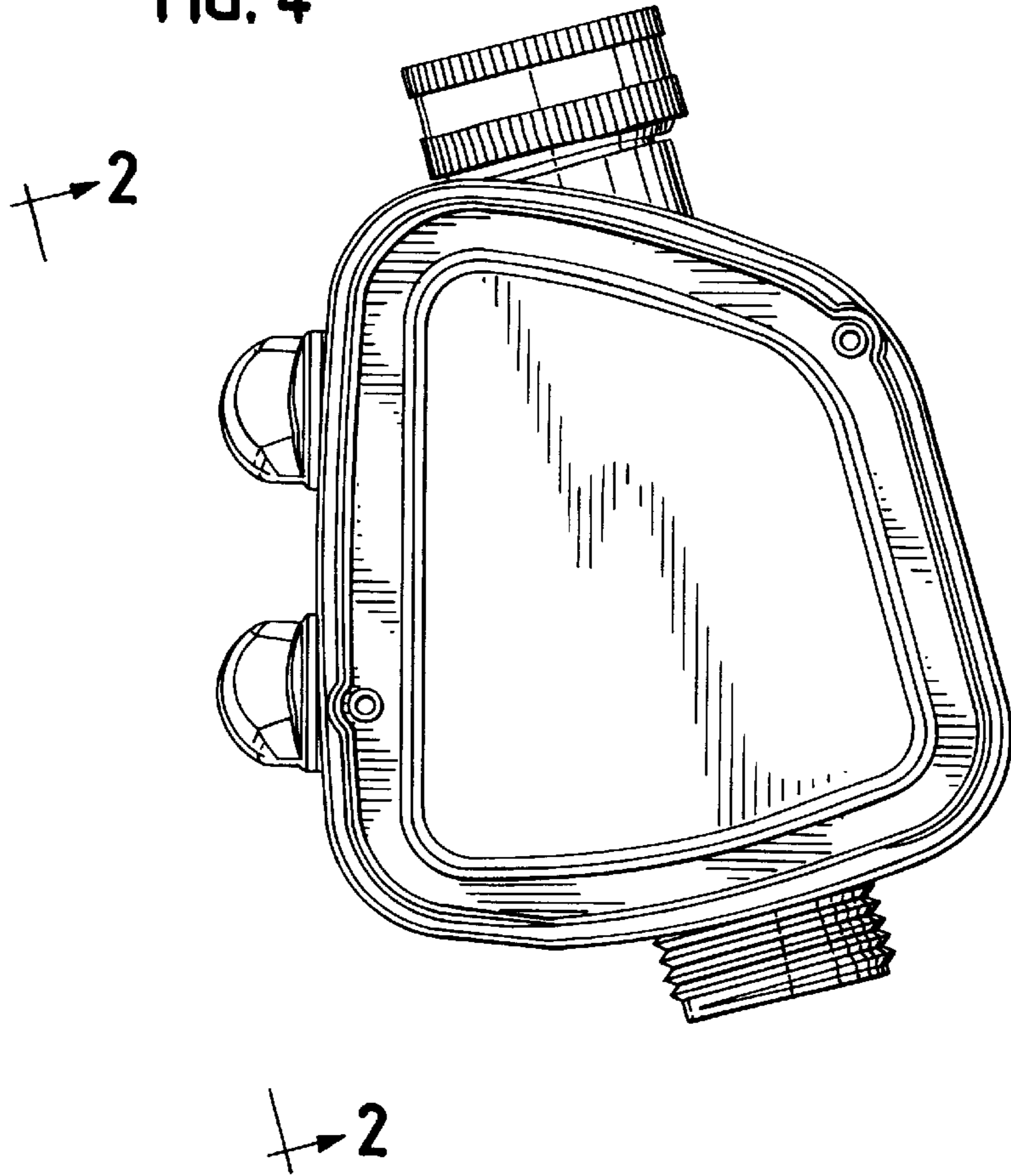


FIG. 5

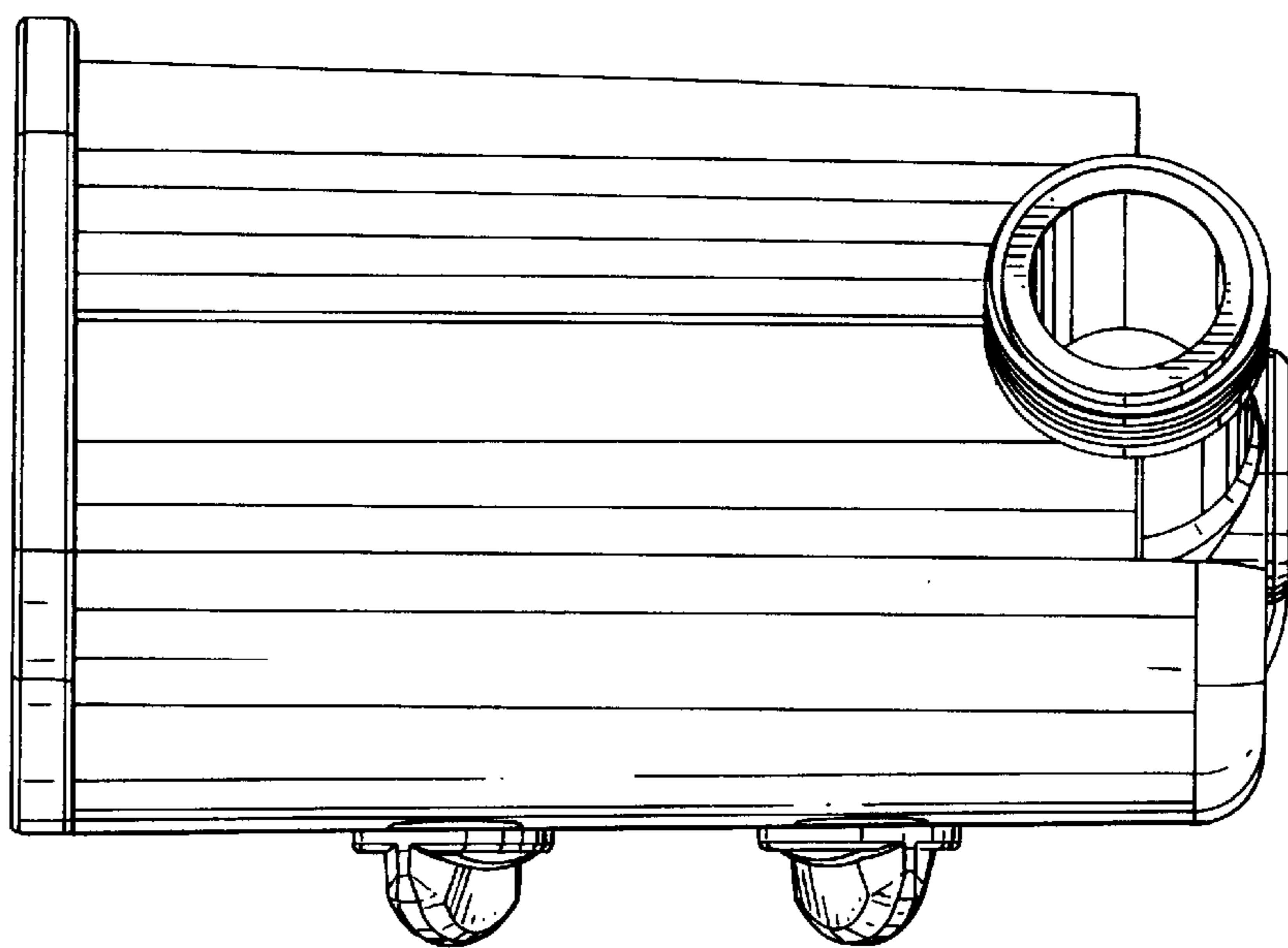


FIG. 6

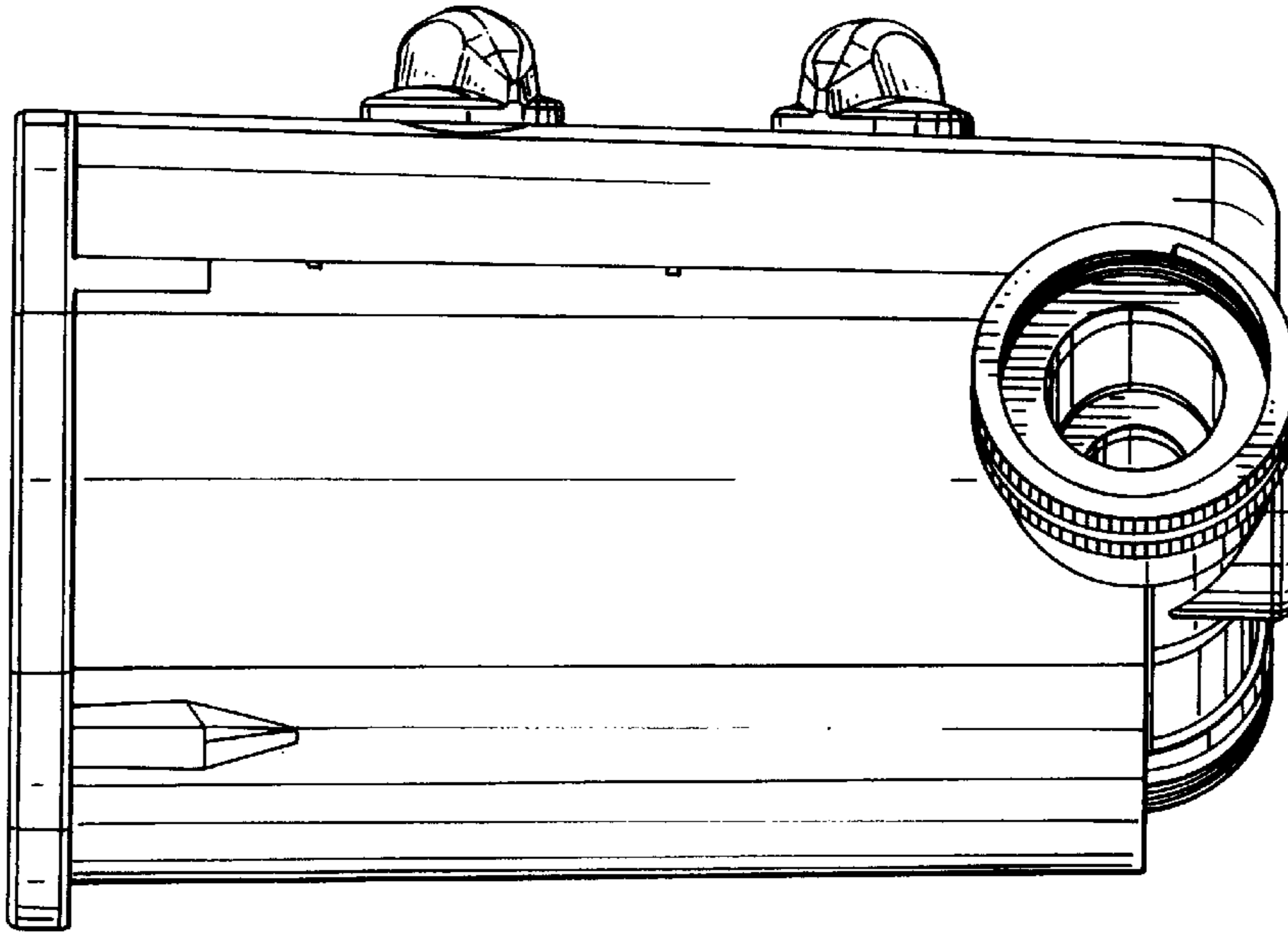


FIG. 7

