

US00D451031B1

(12) **United States Design Patent**
Westphal

(10) **Patent No.:** **US D451,031 S**

(45) **Date of Patent:** **** Nov. 27, 2001**

(54) **BEVERAGE CONTAINER**

(76) Inventor: **Scott K. Westphal**, 650 W. Ave.,
Miami Beach, FL (US) 33139

(**) Term: **14 Years**

(21) Appl. No.: **29/130,525**

(22) Filed: **Oct. 4, 2000**

(51) **LOC (7) Cl.** **09-01**

(52) **U.S. Cl.** **D9/558; D9/506; D9/559;**
D9/569; D9/574

(58) **Field of Search** D9/500, 502, 503,
D9/504, 506-511, 512, 513, 516, 523, 529,
530, 537, 538, 539, 541, 542, 549, 557,
558, 559, 569, 571, 572, 573, 574, 522,
545, 556; 215/381-384, 396, 398; 220/906;
D7/523, 530, 531

(56) **References Cited**

U.S. PATENT DOCUMENTS

- D. 53,330 * 5/1919 Connor D9/512
- D. 53,412 * 6/1919 Gerhardt D9/512
- D. 114,557 * 5/1939 Nitardy D9/559
- D. 228,229 8/1973 Mascia .
- D. 237,445 * 11/1975 Schweizer D9/523
- D. 254,714 * 4/1980 Mascia et al. D9/506
- D. 345,105 * 3/1994 Ramsey D9/551
- D. 357,413 4/1995 Kornick et al. .
- D. 367,612 * 3/1996 Shaw et al. D9/504
- D. 372,868 8/1996 Kobayashi et al. .
- D. 380,647 * 7/1997 Durand D7/531
- D. 399,428 10/1998 Ramsey .
- D. 403,963 1/1999 Ramsey .
- D. 404,255 * 1/1999 Asberg D9/504 X

- D. 415,030 10/1999 Searle .
- D. 428,307 * 7/2000 Yeandel D7/531
- 1,712,552 * 5/1929 Croom 215/382
- 3,998,174 12/1976 Saunders .
- 5,040,698 * 8/1991 Ramsey et al. 220/671
- 5,261,558 11/1993 Claydon .
- 5,497,900 3/1996 Caleffi et al. .
- 5,533,373 7/1996 Plester .
- 5,699,932 12/1997 Claydon et al. .
- 5,704,244 1/1998 Halasz et al. .
- 5,727,414 3/1998 Halasz et al. .
- 5,746,080 5/1998 Hartman et al. .
- 5,970,767 10/1999 Hartman et al. .
- 6,012,601 1/2000 Van Dam .

OTHER PUBLICATIONS

Kahrs et al., "Optimization of Food Can Bead Design by Finite Element Techniques", no date.

* cited by examiner

Primary Examiner—Ted Shooman

Assistant Examiner—Carol Rademaker

(74) *Attorney, Agent, or Firm*—Pillsbury Winthrop LLP

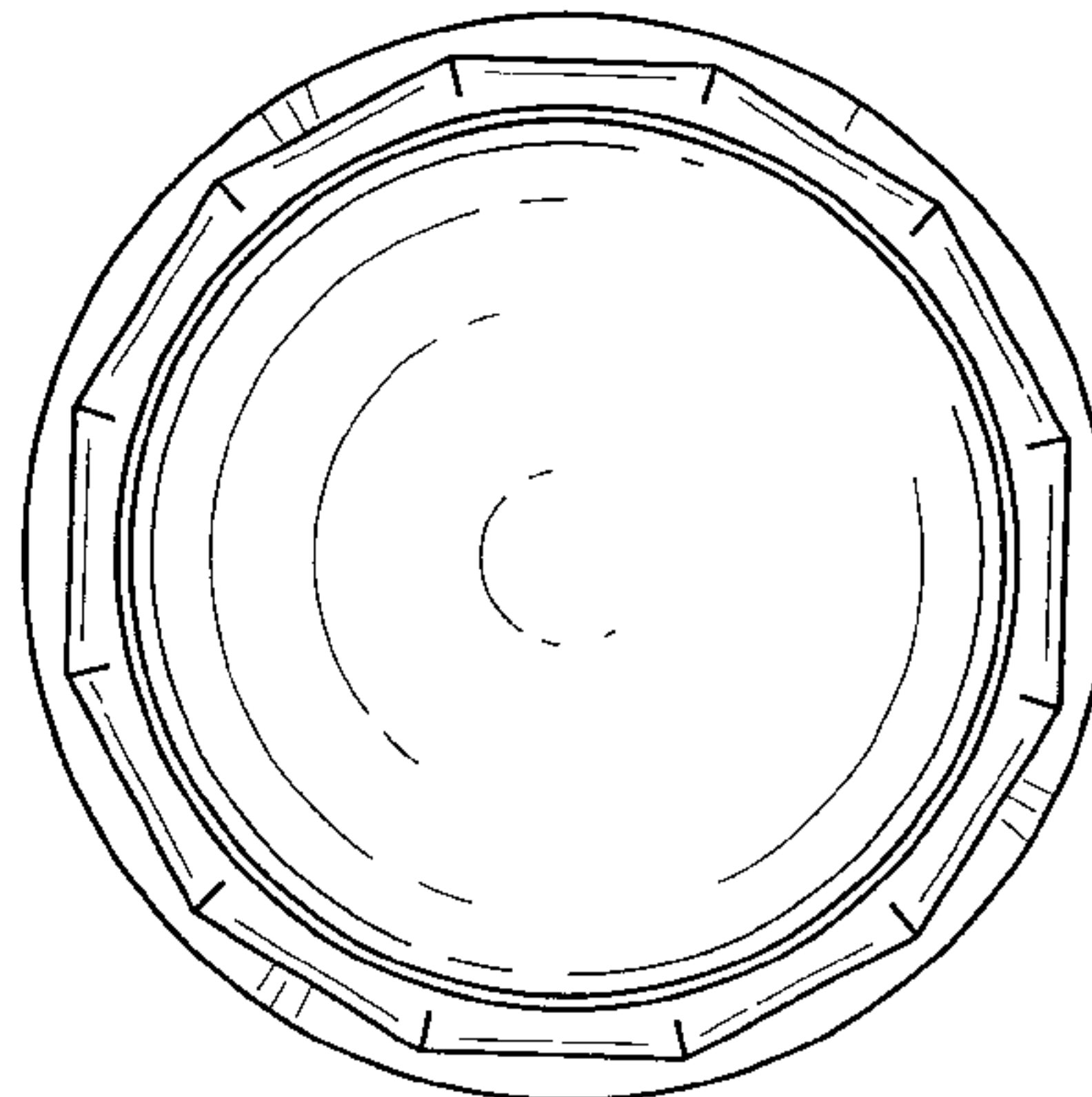
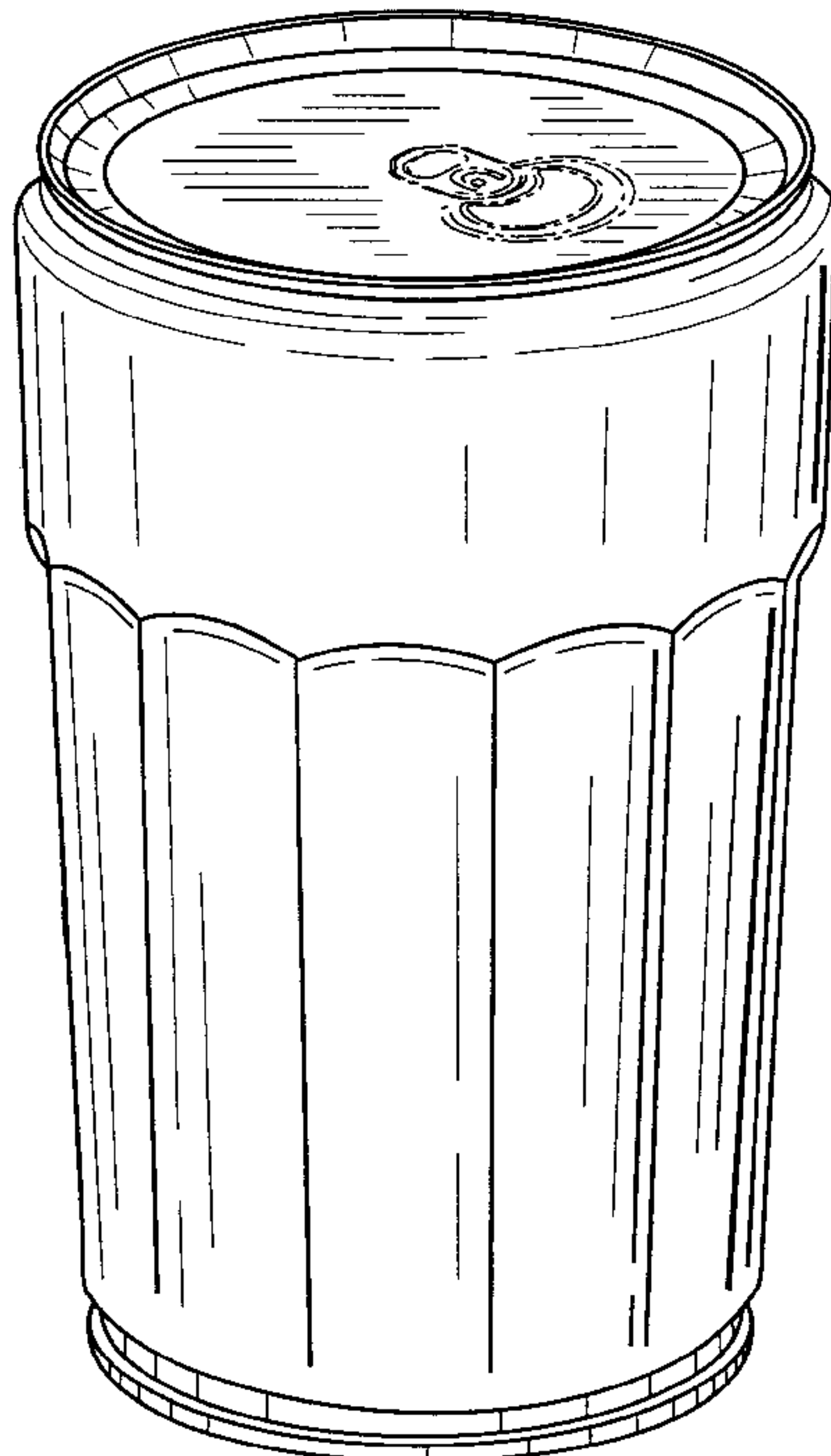
(57) **CLAIM**

The ornamental design for a beverage container, as shown and described.

DESCRIPTION

FIG. 1 is a top perspective view of a beverage container of the present invention;
FIG. 2 is a front elevation view of the container shown in FIG. 1, with the left, right and rear views being identical;
FIG. 3 is a top view of the container shown in FIG. 2; and,
FIG. 4 is a bottom view of the container shown in FIG. 2.

1 Claim, 3 Drawing Sheets



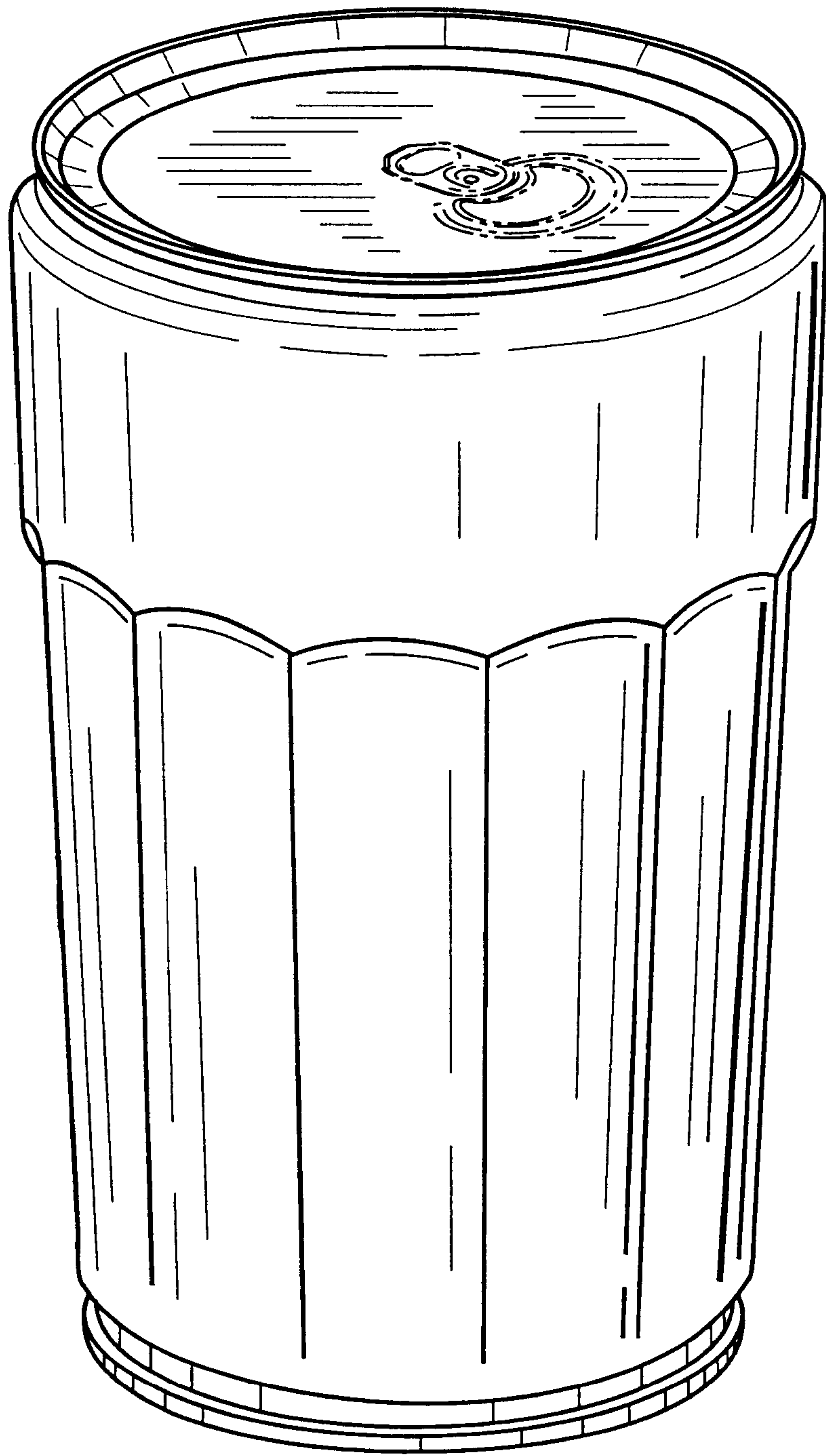


FIG. 1

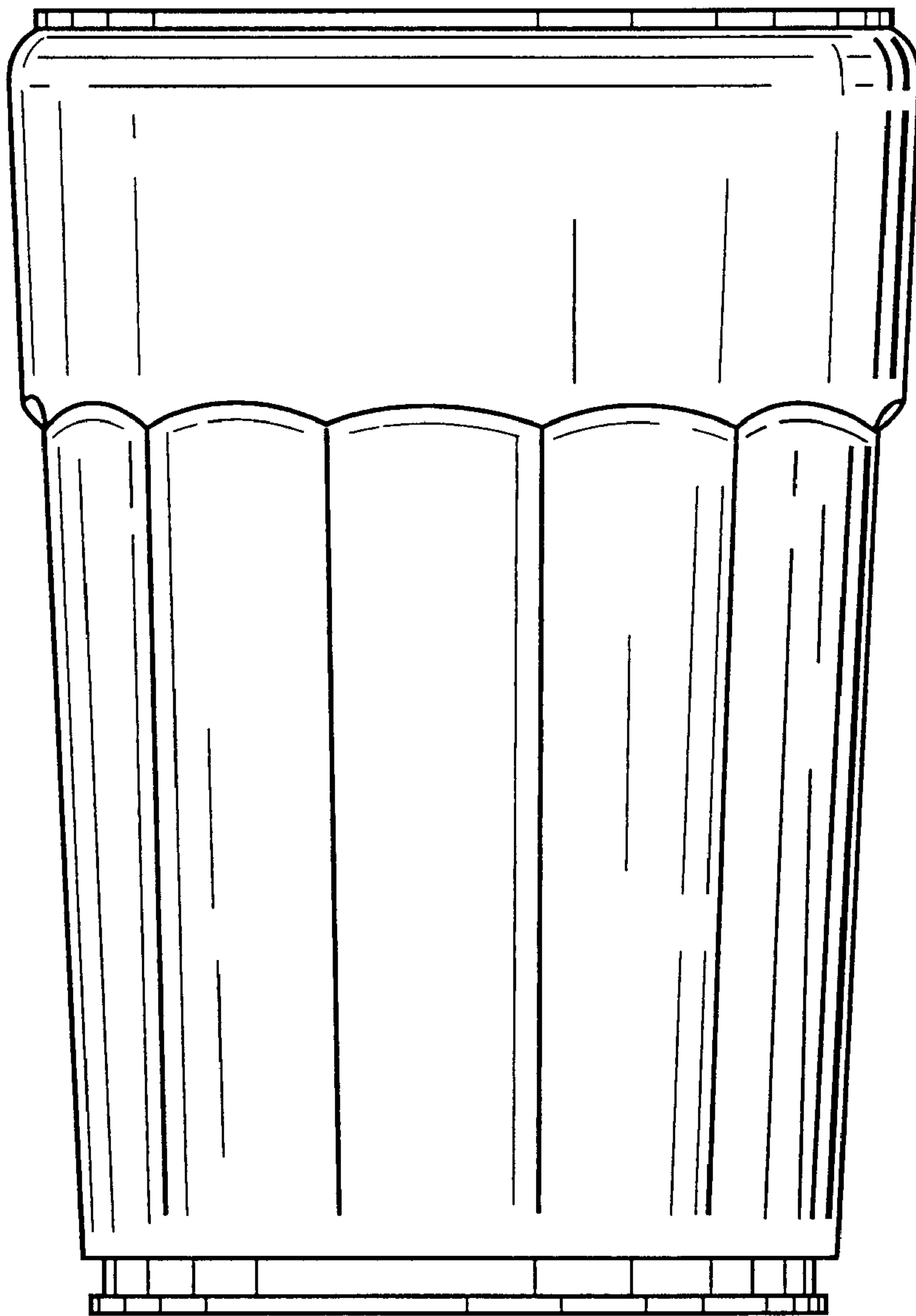


FIG. 2

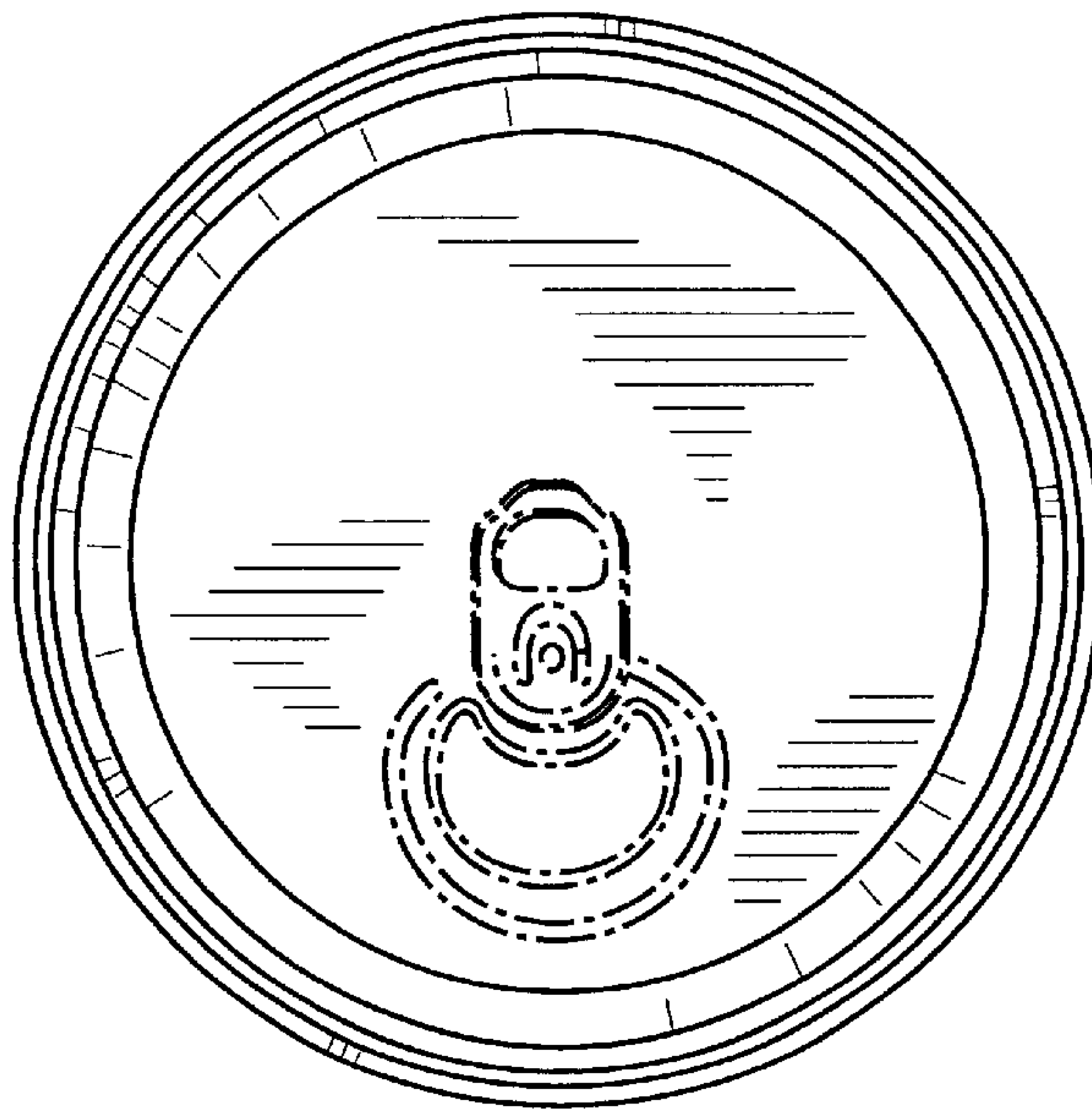


FIG. 3

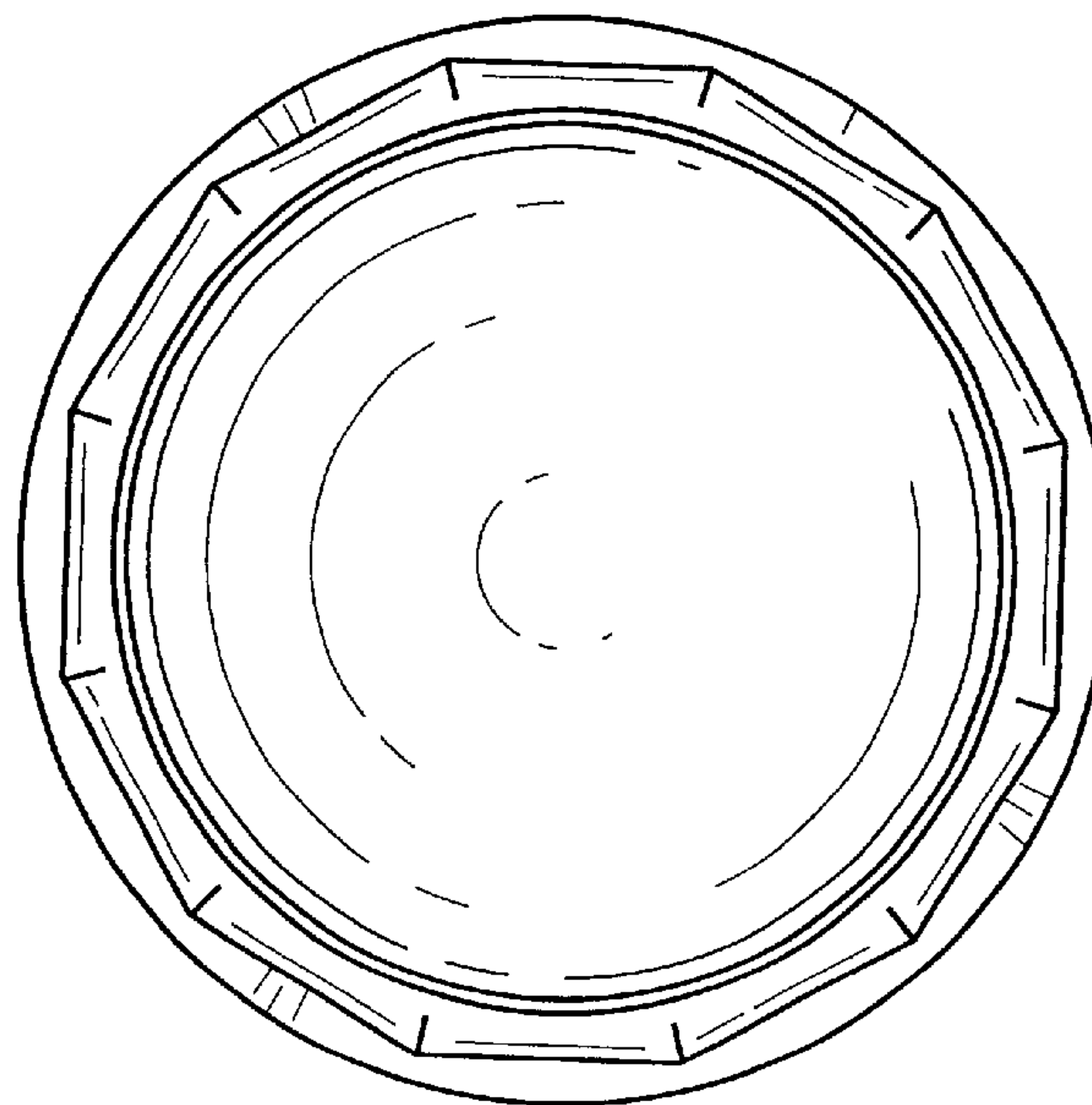


FIG. 4