

US00D451029B1

(12) **United States Design Patent**
Hoffmann

(10) **Patent No.:** **US D451,029 S**

(45) **Date of Patent:** **** Nov. 27, 2001**

(54) **CONTAINER FOR LIQUIDS**

(75) **Inventor:** **Bernd-Walter Hoffmann, Karlsruhe (DE)**

(73) **Assignee:** **Agilent Technologies, Inc., Loveland, CO (US)**

(**) **Term:** **14 Years**

(21) **Appl. No.:** **29/129,486**

(22) **Filed:** **Sep. 14, 2000**

(30) **Foreign Application Priority Data**

Apr. 5, 2000 (DE) 4 00 03 676

(51) **LOC (7) Cl.** **09-01**

(52) **U.S. Cl.** **D9/524**

(58) **Field of Search** D9/516, 520, 521, D9/523, 524, 525, 526, 549, 556, 557, 570, 575; 215/381-384, 396, 398; 220/671-672, 770-772; 222/210, 212-213, 215

(56) **References Cited**

U.S. PATENT DOCUMENTS

| | | | | | |
|------------|---|---------|--------------------|-------|--------|
| D. 44,732 | * | 10/1913 | Redington | | D9/527 |
| D. 263,930 | * | 4/1982 | Pardo et al. | | D9/524 |
| D. 305,982 | * | 2/1990 | Gillispie et al. | | D9/524 |
| D. 313,348 | * | 1/1991 | Ali | | D9/524 |
| D. 341,314 | * | 11/1993 | Charbonneau et al. | | D9/520 |
| D. 355,365 | * | 2/1995 | Charbonneau et al. | | D9/524 |

| | | | | | |
|------------|---|---------|---------------------|-------|-----------|
| D. 363,215 | * | 10/1995 | Powell et al. | | D9/301 |
| D. 411,748 | * | 6/1999 | Klima, Jr. et al. | | D9/524 |
| 859,716 | * | 7/1907 | Young | | 215/40 |
| 1,331,409 | * | 2/1920 | Barnett | | D9/520 |
| 2,635,604 | * | 4/1953 | Fredrickson | | 215/399 |
| 3,156,383 | * | 11/1964 | Melli | | 222/83 |
| 3,341,047 | * | 9/1967 | Nauta | | 215/399 |
| 3,397,724 | * | 8/1968 | Bolen et al. | | 215/382 |
| 3,851,029 | * | 11/1974 | Cornett et al. | | 215/45 |
| 4,717,031 | * | 1/1988 | Hewson | | 215/384 |
| 4,856,664 | * | 8/1989 | Gillespie et al. | | 222/572 |
| 4,925,055 | * | 5/1990 | Robbins, III et al. | | 220/403 |
| 4,997,692 | * | 3/1991 | Yoshino | | 428/36.92 |
| 5,927,499 | * | 7/1999 | Vesborg | | 206/509 |

* cited by examiner

Primary Examiner—Ted Shooman

Assistant Examiner—Carol Rademaker

(57) **CLAIM**

The ornamental design for the container for liquids, as shown and described in the accompanying figures.

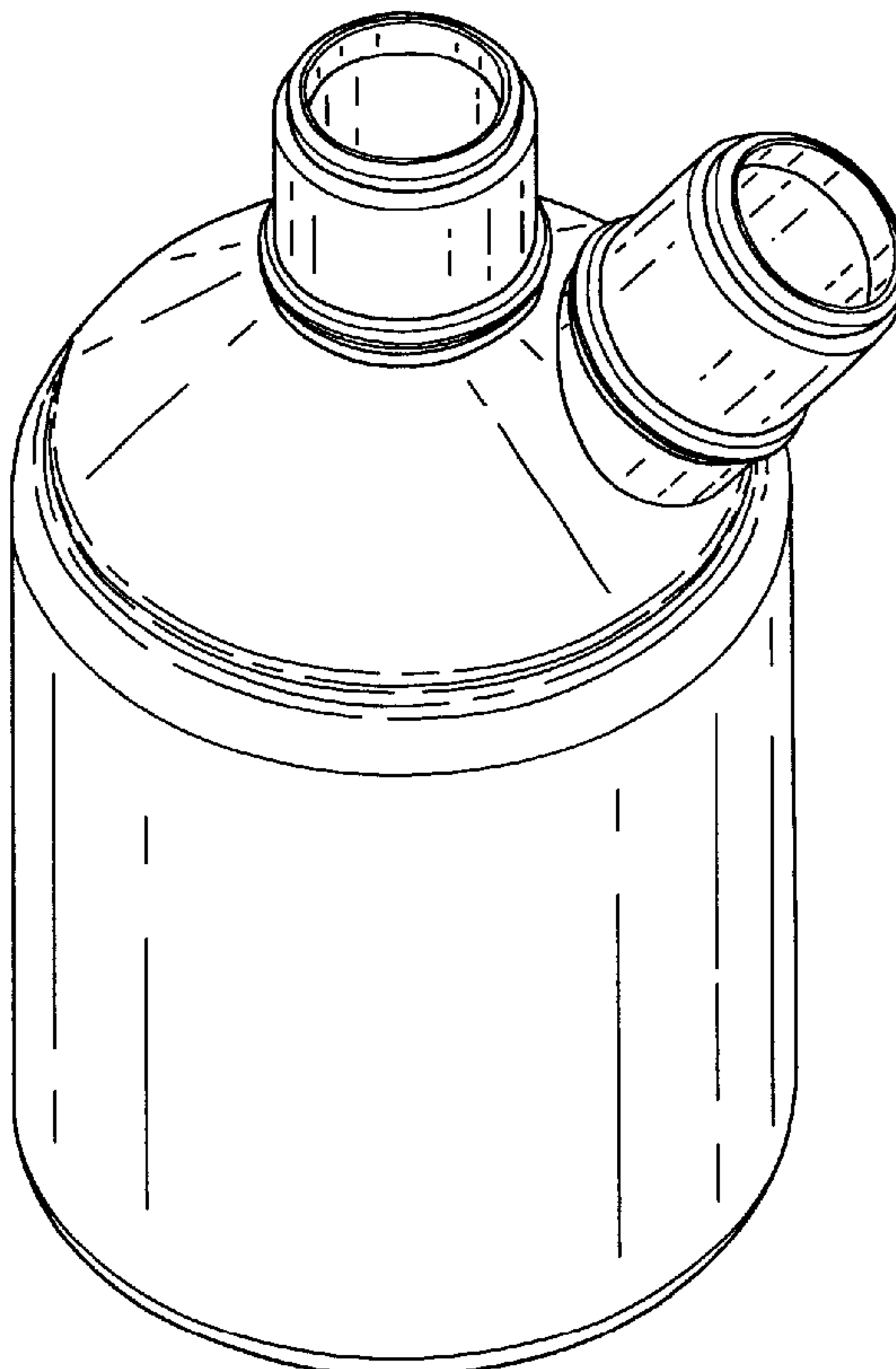
DESCRIPTION

FIG. 1 is a side view of the container for liquids according to the present invention;

FIG. 2 is a top view of the container for liquids of FIG. 1; and,

FIG. 3 is a top diagonal view of the container for liquids of FIG. 1.

1 Claim, 1 Drawing Sheet



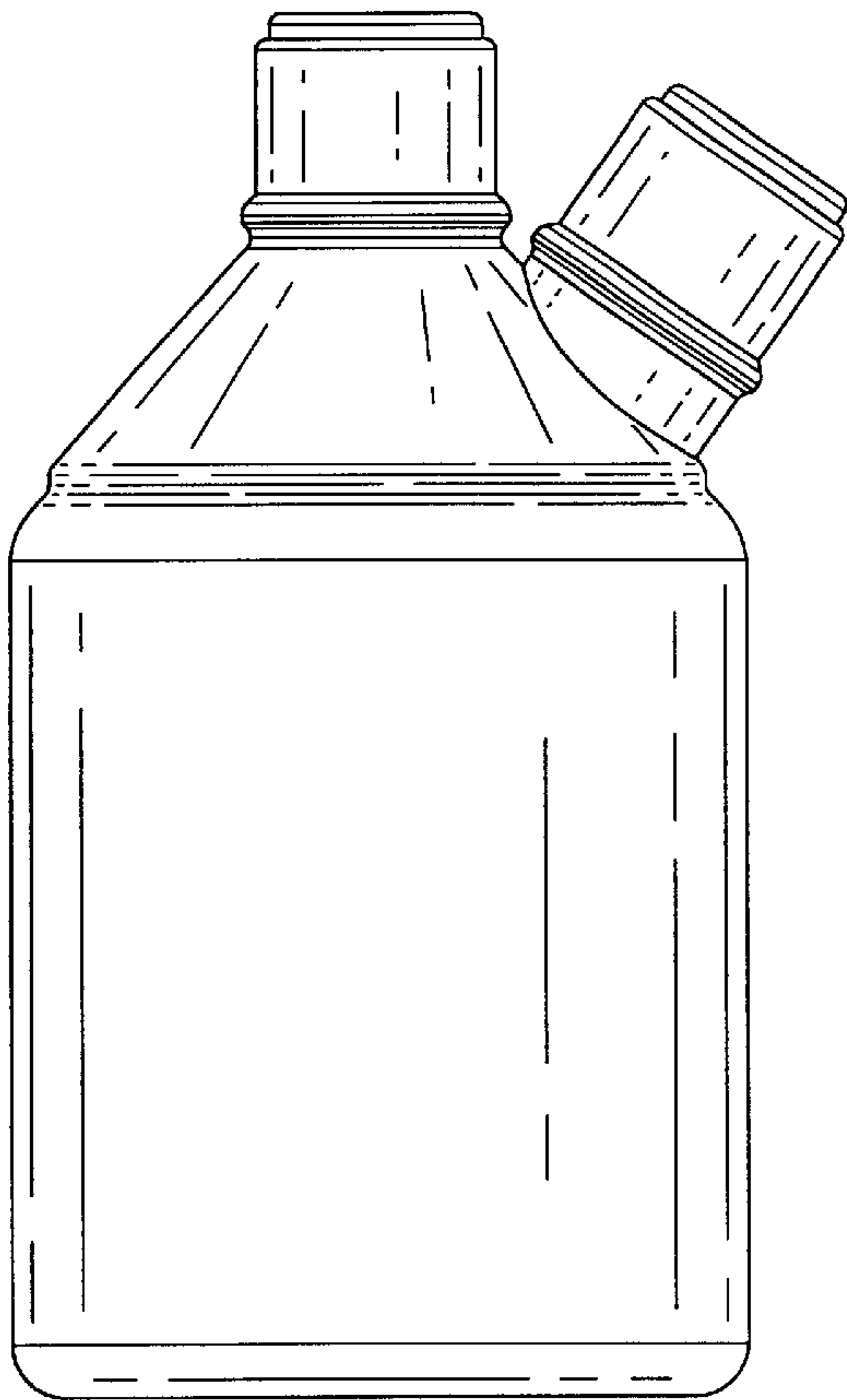


FIG. 1

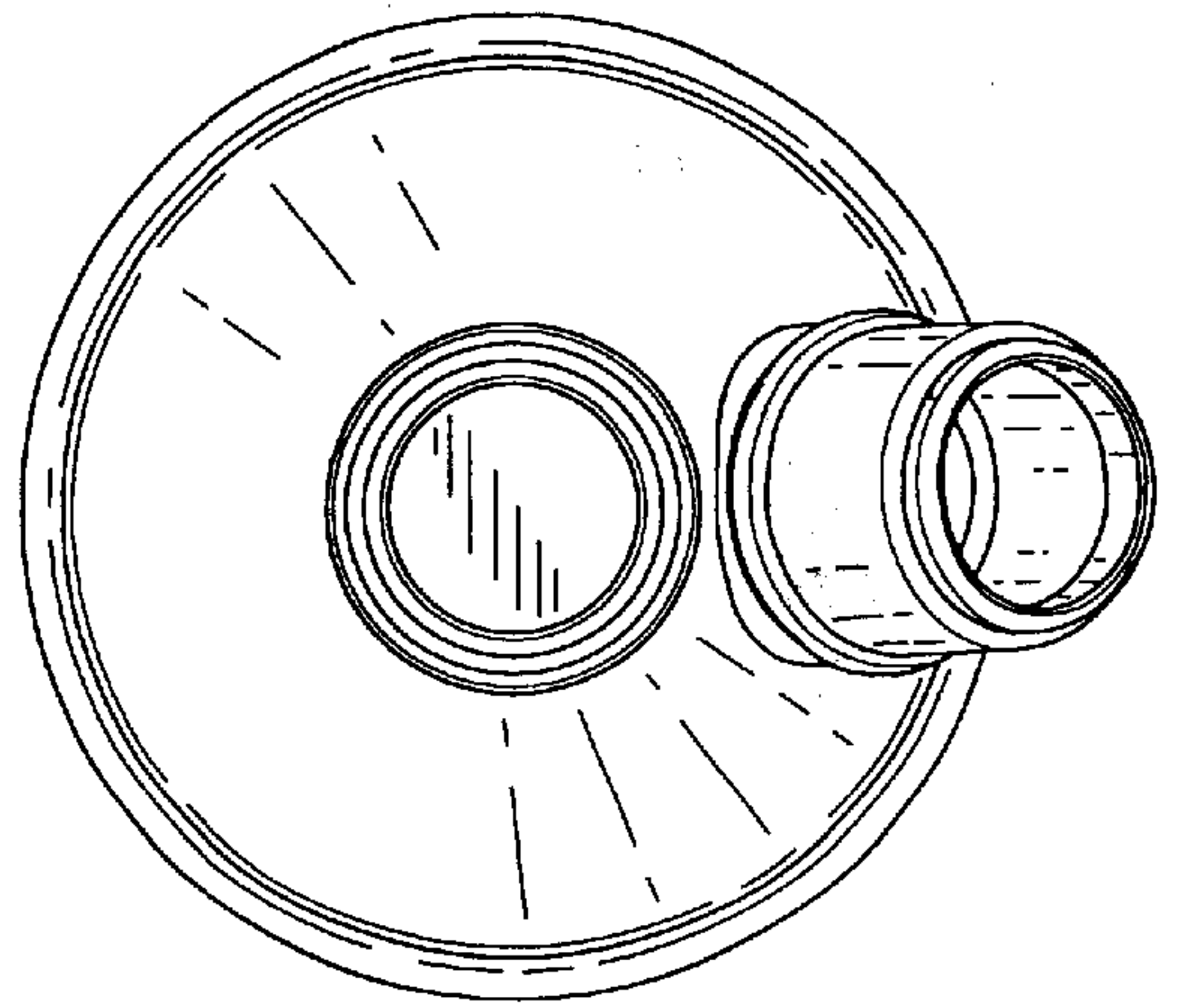


FIG. 2

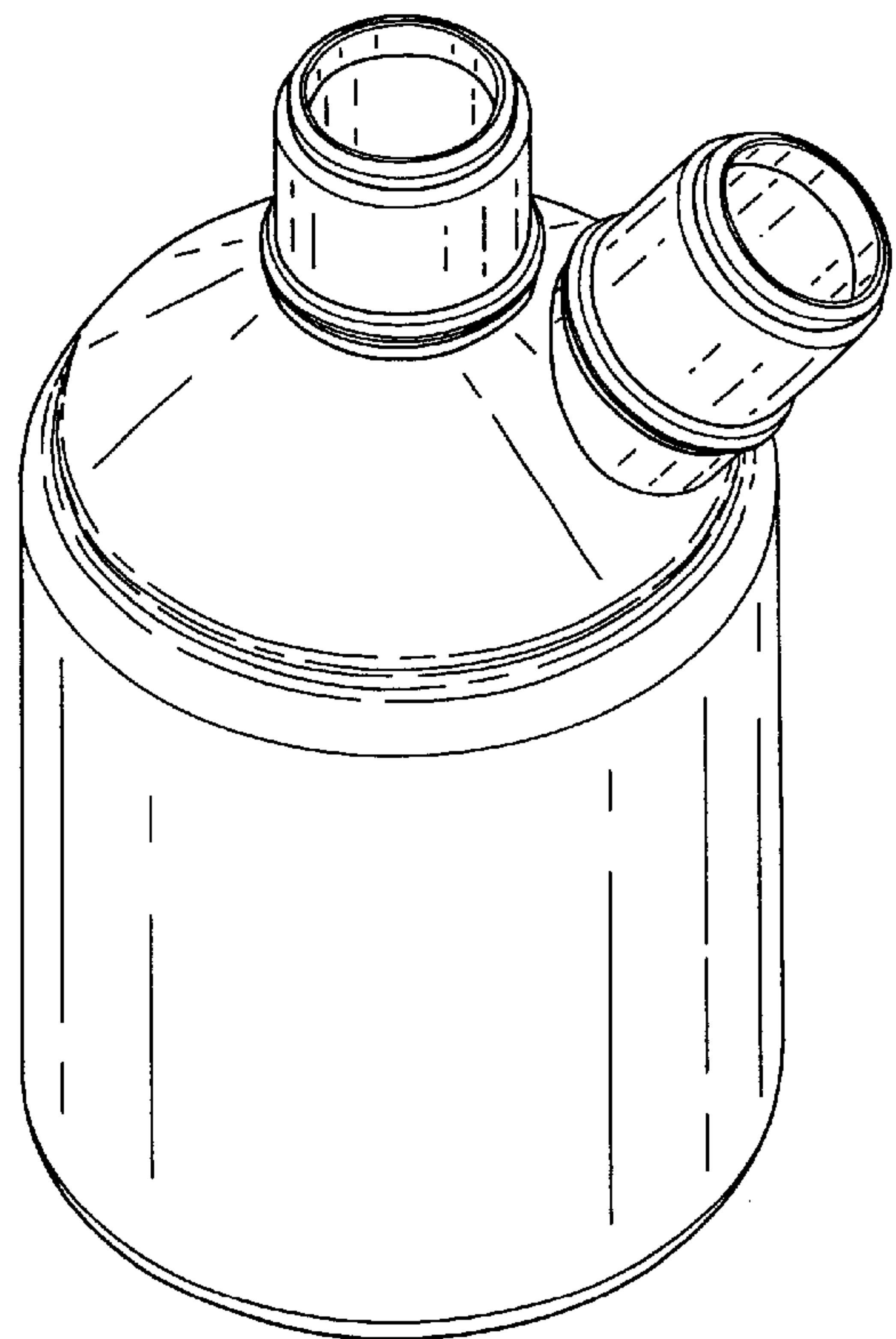


FIG. 3