



US00D451027B1

(12) **United States Design Patent**
Dugrot

(10) **Patent No.:** **US D451,027 S**

(45) **Date of Patent:** **** Nov. 27, 2001**

(54) **BEVERAGE CONTAINER**

(76) **Inventor:** **Manuel Dugrot**, 1250 NW. 129th St.,
N. Miami, FL (US) 33167

(**) **Term:** **14 Years**

(21) **Appl. No.:** **29/129,423**

(22) **Filed:** **Sep. 8, 2000**

(51) **LOC (7) Cl.** **09-03**

(52) **U.S. Cl.** **D9/506; D9/500; D9/522;**
D9/549; D9/575

(58) **Field of Search** **D9/500, 506-514,**
D9/516, 521-523, 530, 537, 539, 540, 542,
543, 549, 558, 562, 571-575, 526, 525;
215/381-384, 396, 398; 220/906, 661, 672

(56) **References Cited**

U.S. PATENT DOCUMENTS

- D. 67,569 * 6/1925 Baker D9/526
- D. 99,012 * 3/1936 Garwood D9/526
- D. 112,696 * 12/1938 Havekost D9/526
- D. 168,851 * 2/1953 Montenier D9/526
- D. 169,642 * 5/1953 St. Clair D9/526
- D. 180,715 * 7/1957 Henry et al. D9/526
- D. 233,827 * 12/1974 Henry D9/526
- D. 234,940 * 4/1975 Mezquita D9/523
- D. 241,414 * 9/1976 Koenigsberg D9/523
- D. 246,763 * 12/1977 Luedtke D9/526
- D. 271,050 * 10/1983 Berkman D28/77
- D. 279,961 * 8/1985 Fortuna D9/506
- D. 324,332 * 3/1992 Seifert et al. D9/520
- D. 333,092 * 2/1993 Moshe D9/503 X
- D. 358,332 * 5/1995 Schneider et al. D9/526
- D. 360,583 7/1995 Paping .
- D. 395,395 7/1998 De Muschamp Payne .
- D. 403,964 1/1999 Jansen .
- 4,609,113 9/1986 Seki .
- 4,728,002 3/1988 Ybanez .
- 5,174,469 * 12/1992 Policappelli 220/672

- 5,586,681 12/1996 Policappelli .
- 5,762,230 * 6/1998 Policappelli 220/906 X
- 6,074,736 * 6/2000 Kagawa 220/906 X
- 6,244,456 * 6/2001 Hanlon 220/906 X

FOREIGN PATENT DOCUMENTS

- 1042715 * 2/1988 (GB) .
- 2076890 * 8/1998 (GB) .
- 2075820 * 10/1998 (GB) .
- 9-193930 * 7/1997 (JP) .

OTHER PUBLICATIONS

“Graphic Science and Design”, French et al., McGraw Hill Inc., Geometric Shapes, p. 79, FIG. 3.101, Cylinders, oblique, 1970.*

* cited by examiner

Primary Examiner—Ted Shooman

Assistant Examiner—Carol Rademaker

(74) *Attorney, Agent, or Firm*—Richard C. Litman

(57) **CLAIM**

The ornamental design for a beverage container, as shown and described.

DESCRIPTION

FIG. 1 is a front elevational view with the rear view being a mirror image of a beverage container showing my new design;

FIG. 2 is a left side elevational view with the right side being a mirror image thereof;

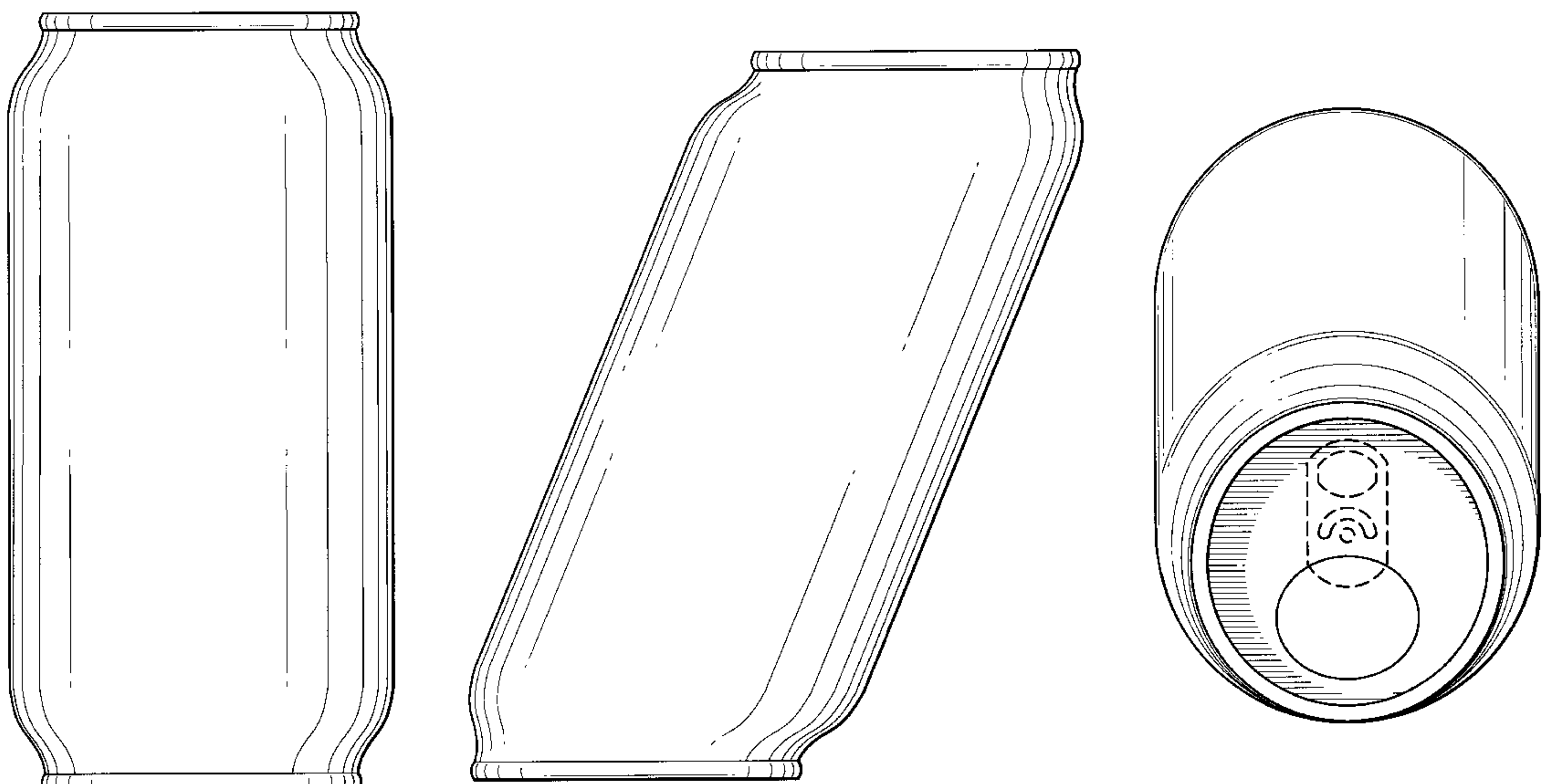
FIG. 3 is a top plan view thereof.

FIG. 4 is a top plan view thereof; and,

FIG. 5 is a bottom plan view thereof.

The broken line showing of the ring-top in FIG. 3 is for illustrative purposes only and forms no part of the claimed design.

1 Claim, 5 Drawing Sheets



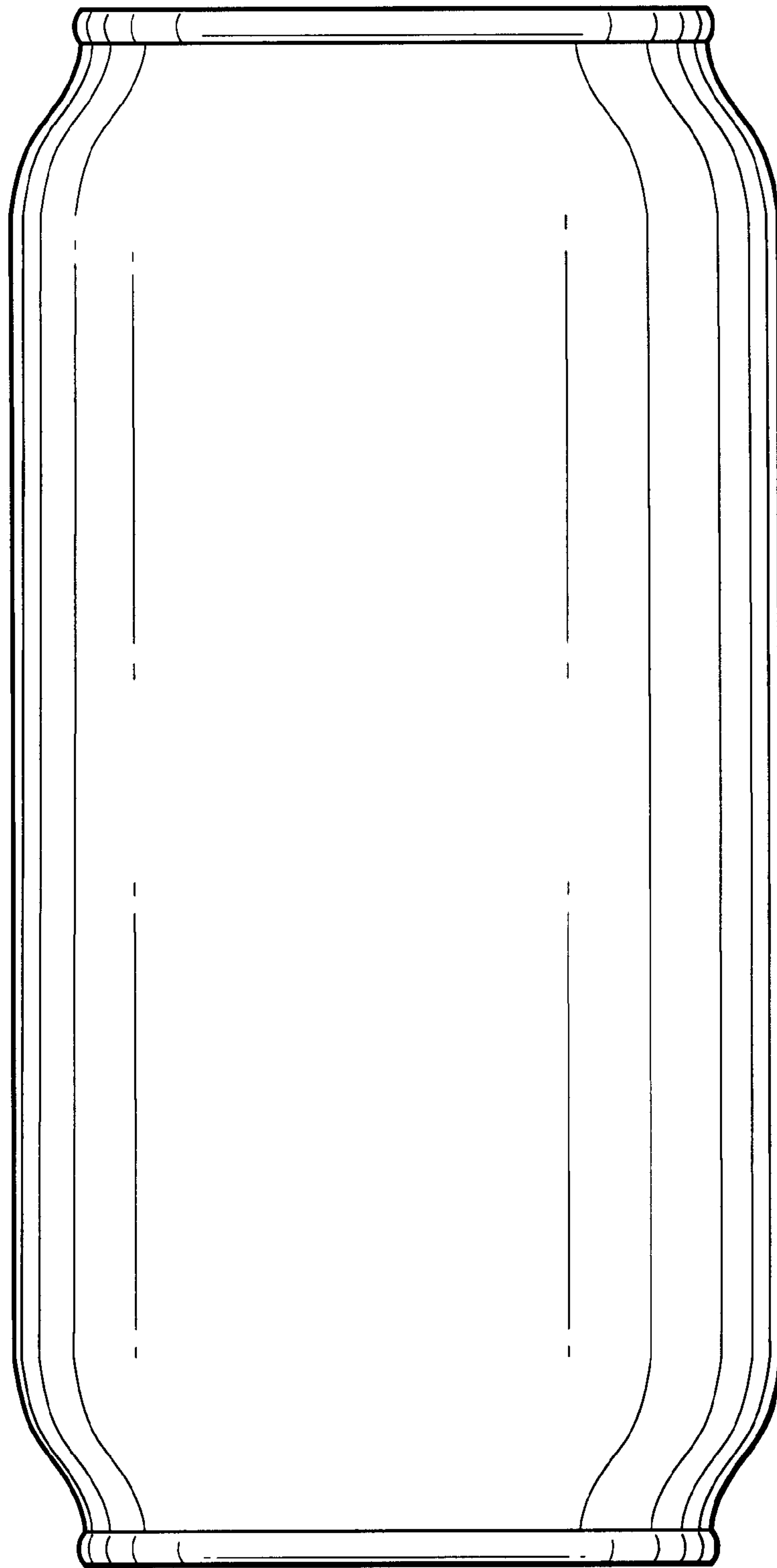


Fig. 1

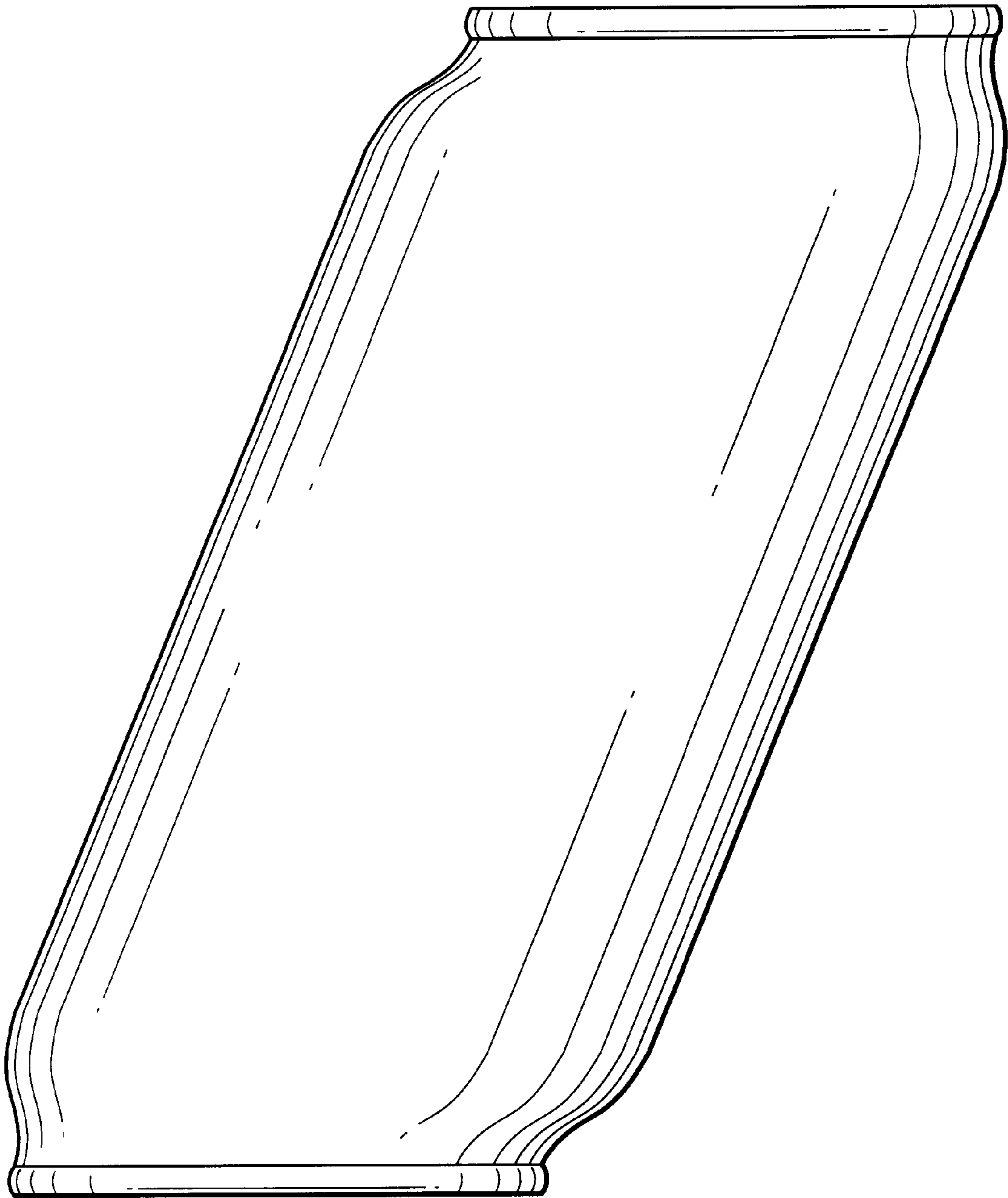


Fig. 2

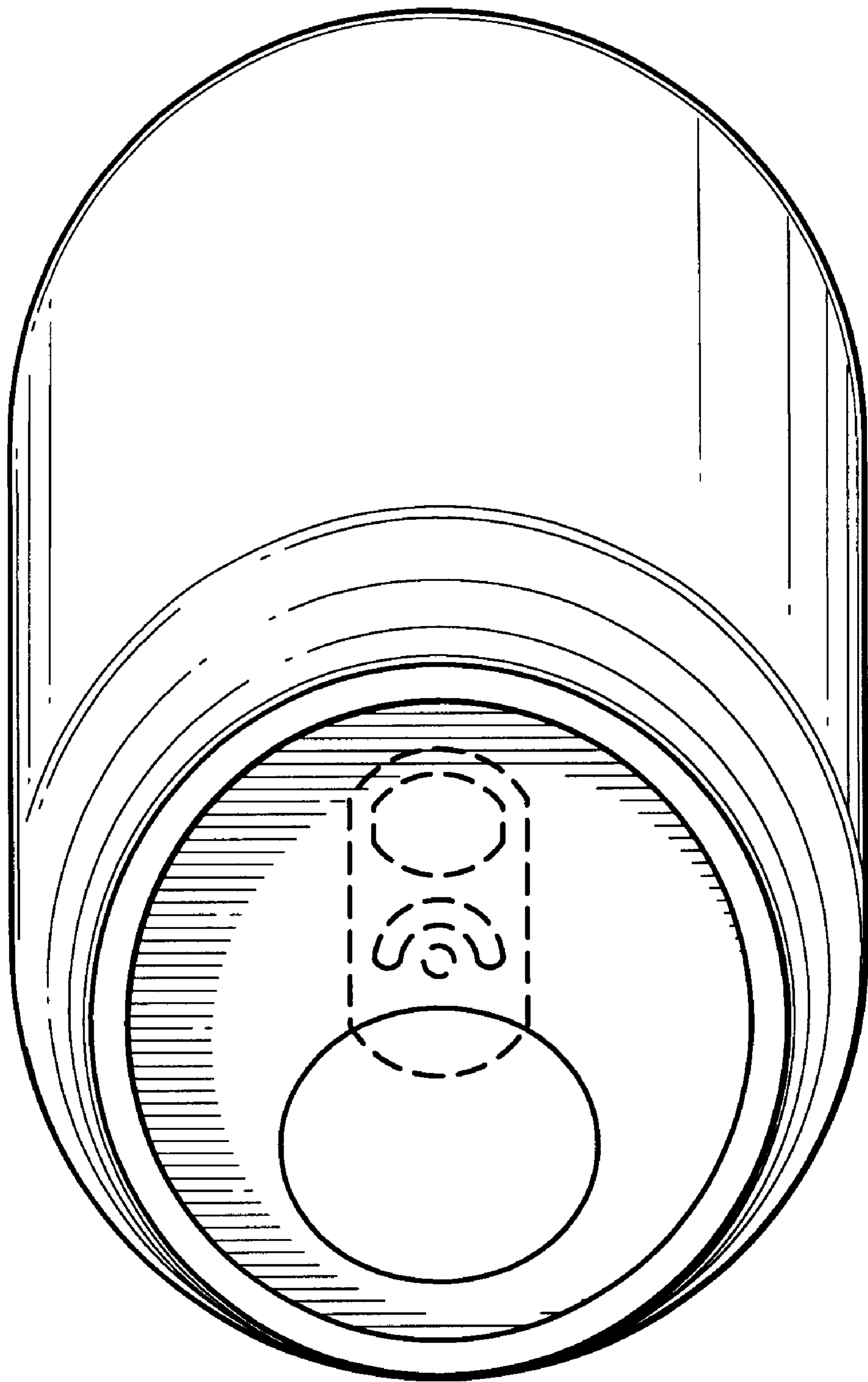


Fig. 3

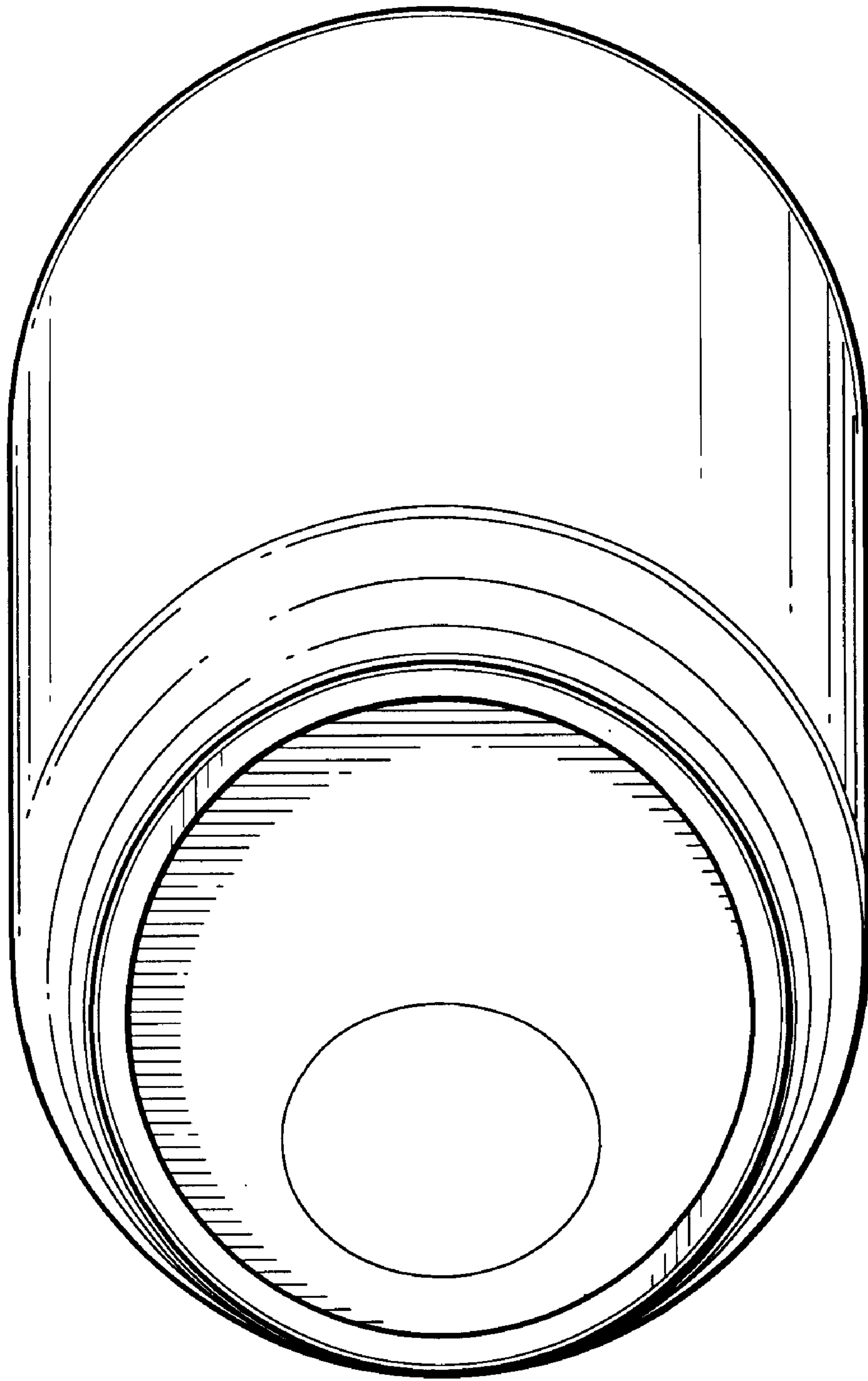


Fig. 4

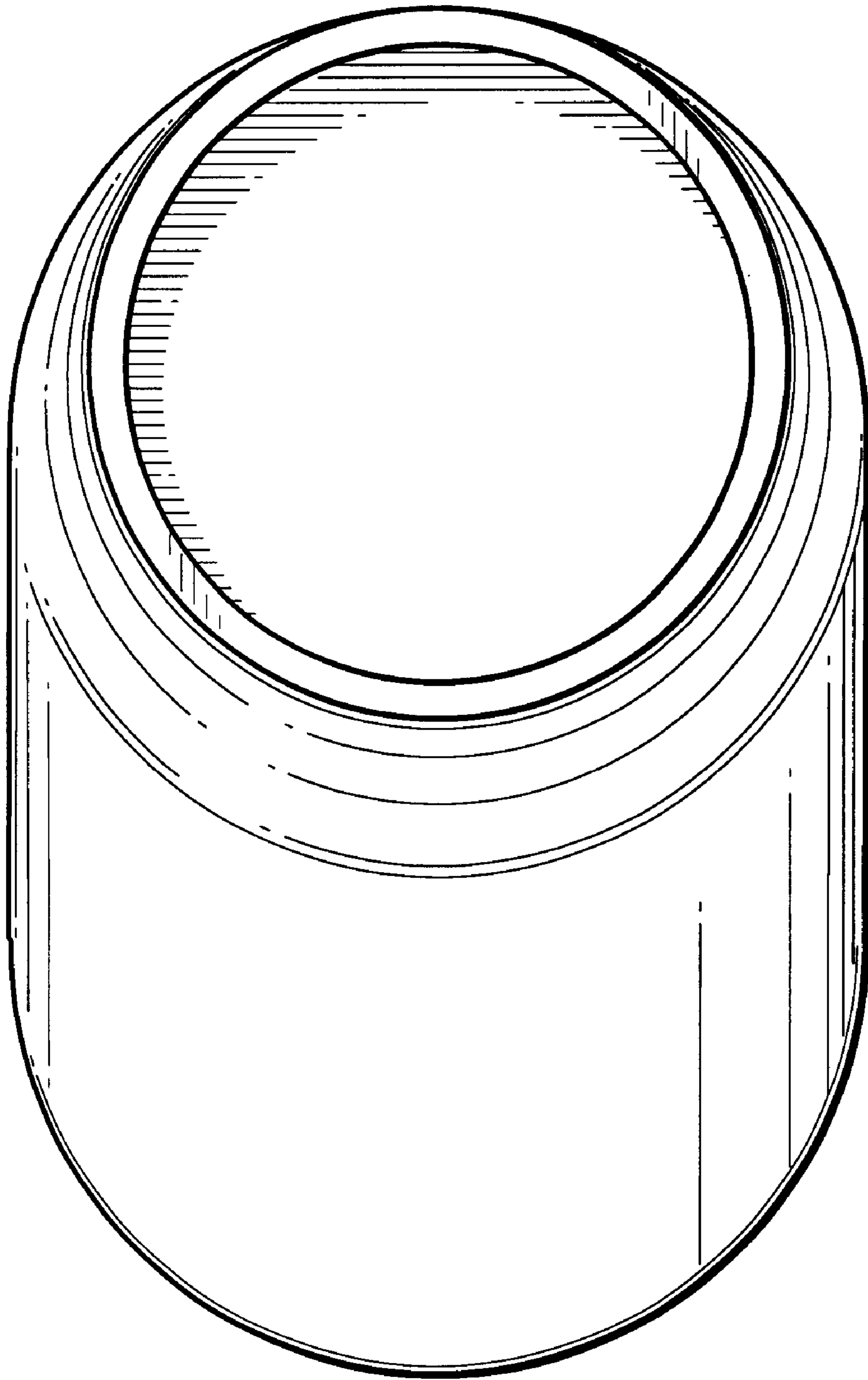


Fig. 5