

US00D451026B2

(12) **United States Design Patent**
Heisel et al.

(10) **Patent No.:** **US D451,026 S**

(45) **Date of Patent:** **** Nov. 27, 2001**

(54) **CONTAINER**

(75) Inventors: **Timothy Heisel**, Bartlett; **Annette Stasiak**, Naperville, both of IL (US)

(73) Assignee: **Consolidated Container Corporation, LLC**, Dallas, TX (US)

(**) Term: **14 Years**

(21) Appl. No.: **29/129,048**

(22) Filed: **Sep. 6, 2000**

(51) **LOC (7) Cl.** **09-01**

(52) **U.S. Cl.** **D9/502**

(58) **Field of Search** D9/500, 502, 503,
D9/504, 516, 530, 542, 541, 537, 538,
545, 546, 549, 557, 558, 574; 215/381-384,
396, 398; 220/906; 222/212

(56) **References Cited**

U.S. PATENT DOCUMENTS

- D. 156,903 * 1/1950 Livermore D9/503
- D. 236,433 * 8/1975 Strand D9/500
- D. 257,715 * 12/1980 Pettengill D9/529
- D. 268,810 * 5/1983 Hartung D9/301
- D. 269,706 * 7/1983 Green D24/115
- D. 329,592 * 9/1992 Crawford D9/301
- D. 332,751 * 1/1993 Pischulti et al. D9/560

- D. 338,832 * 8/1993 Osip et al. D9/502
- D. 395,517 * 6/1998 Treu et al. D24/224
- D. 405,371 * 2/1999 Herr D9/503
- D. 414,699 * 10/1999 Alt D9/502
- 4,645,078 * 2/1987 Reyner 4/115
- 4,645,097 * 2/1987 Kaufman 222/207
- 5,769,256 * 6/1998 Medal 215/398

* cited by examiner

Primary Examiner—Ted Shooman

Assistant Examiner—Carol Rademaker

(74) *Attorney, Agent, or Firm*—Sonnenschein Nath & Rosenthal

(57) **CLAIM**

The ornamental design for a container, as shown and described.

DESCRIPTION

FIG. 1 illustrates in perspective view a container embodying the present invention.

FIG. 2 illustrates in plan view the container of FIG. 1; and, FIG. 3 illustrates in front elevational view the container of FIG. 1, the reverse side being a mirror image thereof, except for the unclaimed threads.

The broken lines showing of the upper portion of the pour spout and threads in FIGS. 1-3 is for environmental purposes only and forms no part of the claimed design.

1 Claim, 1 Drawing Sheet

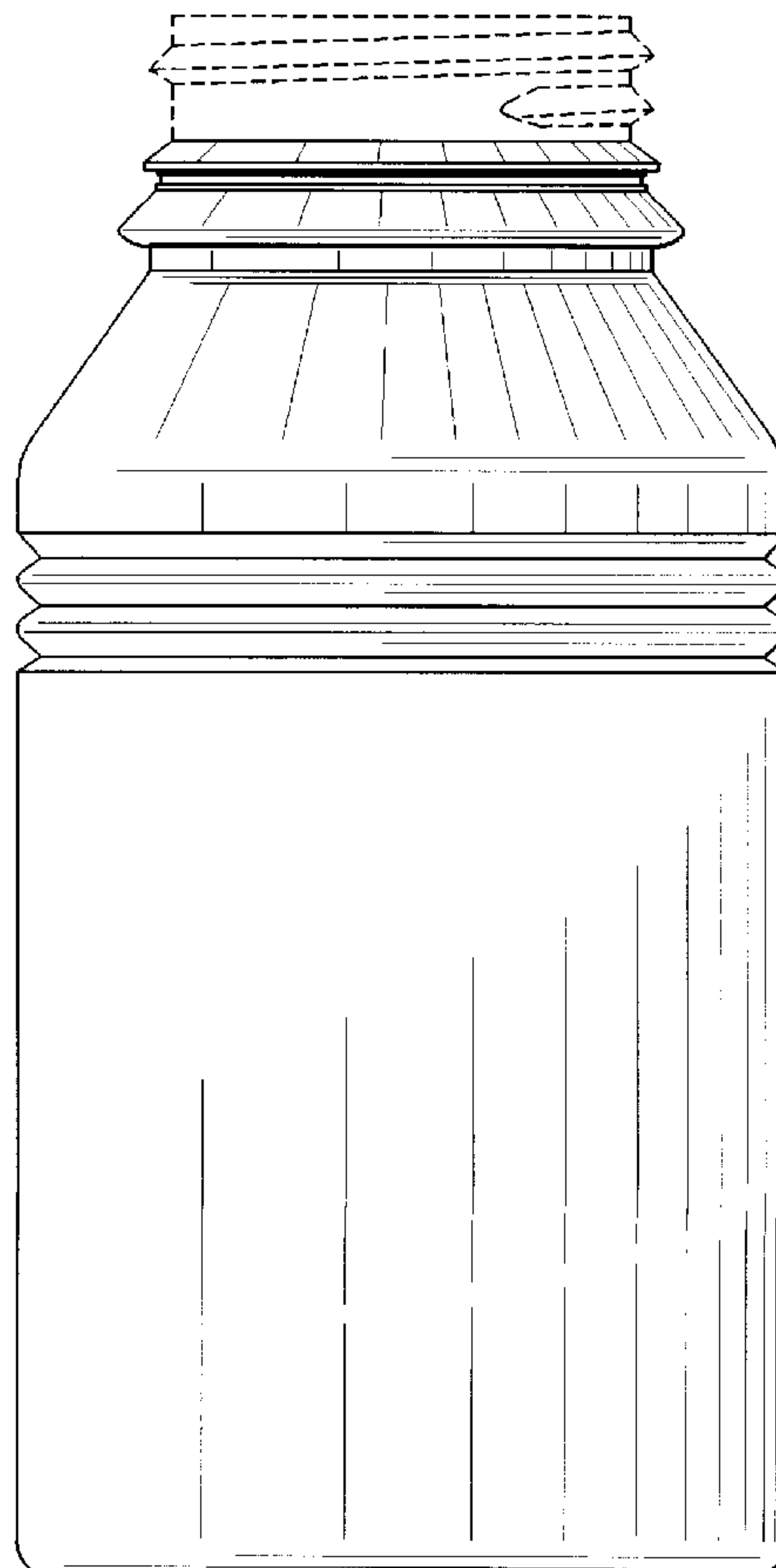
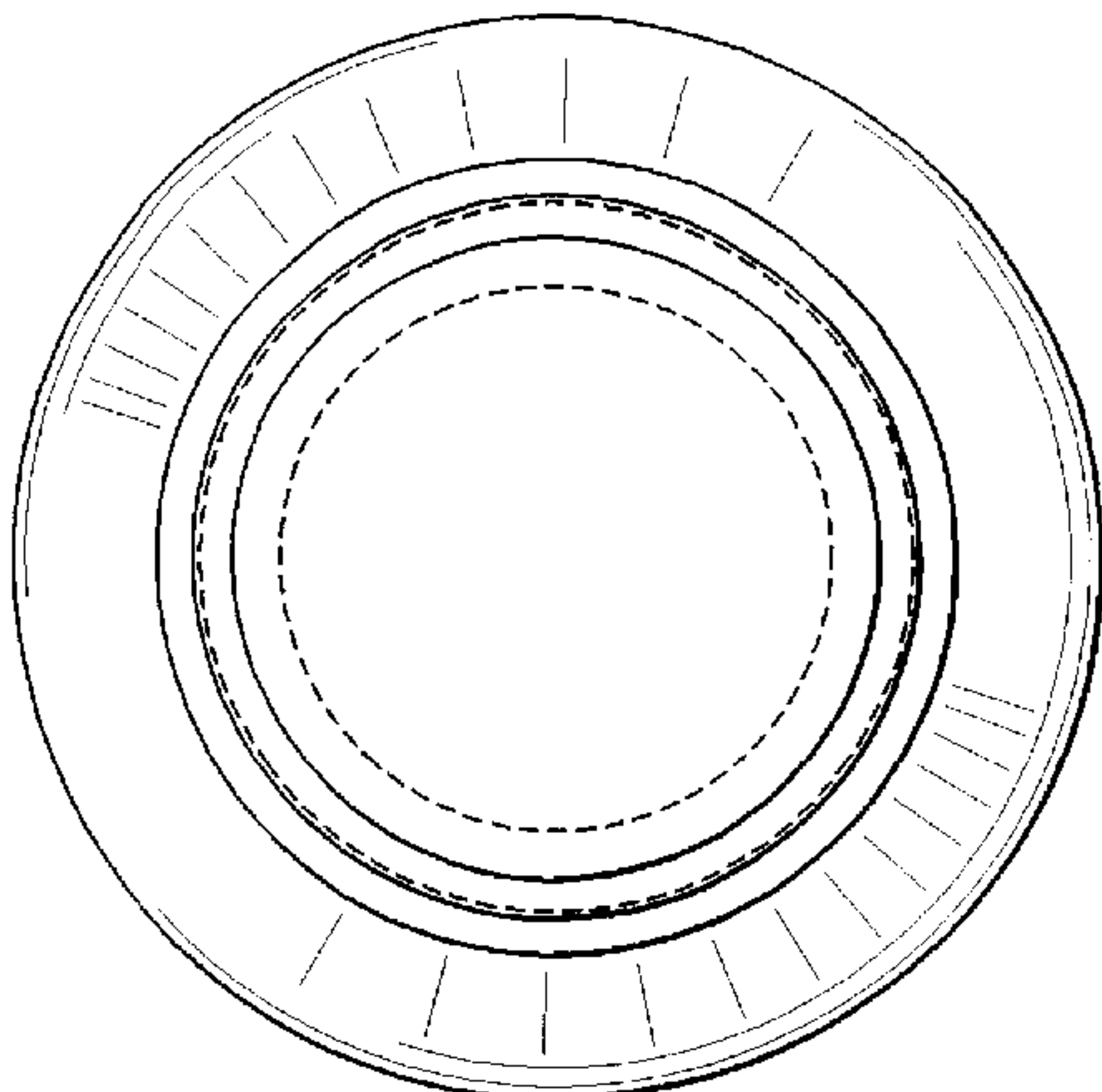


FIG. 1

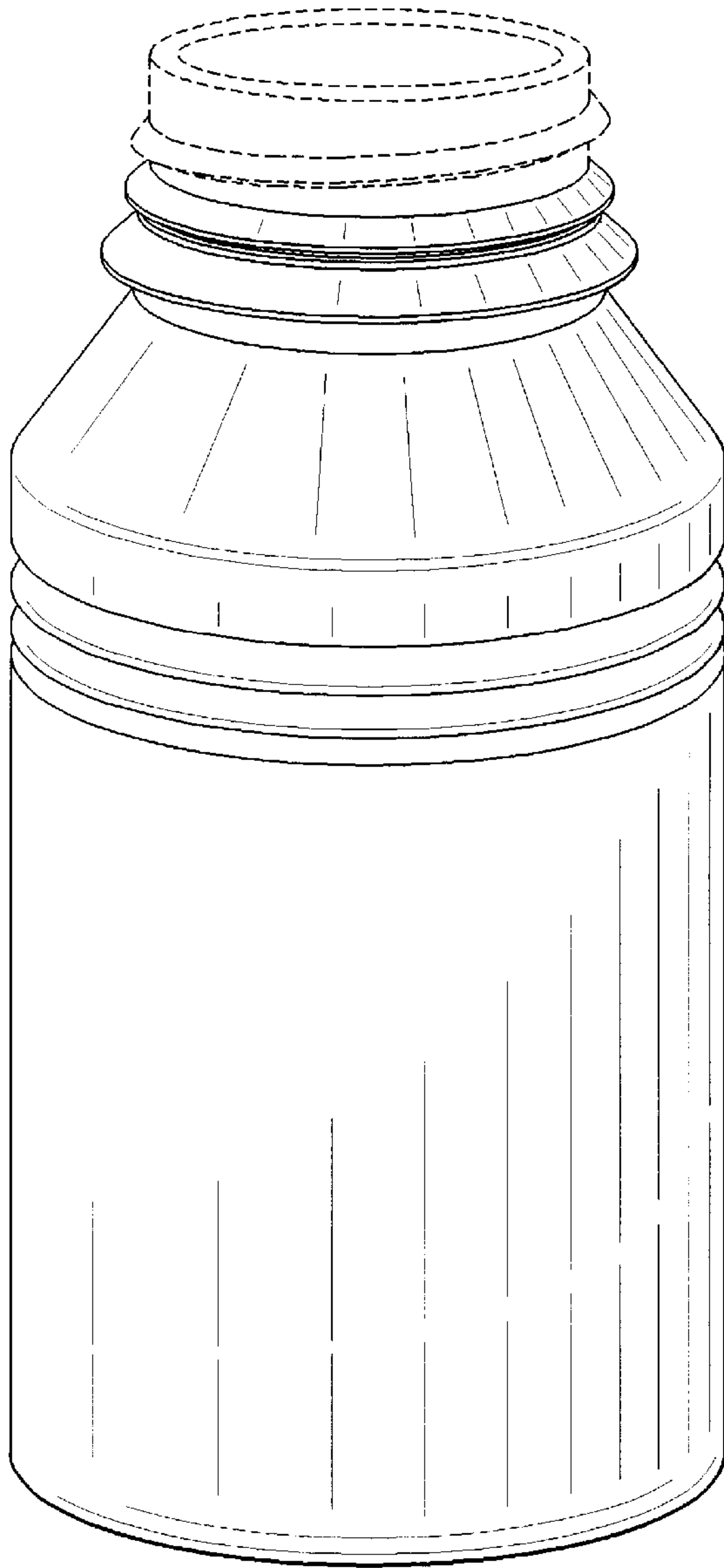


FIG. 2

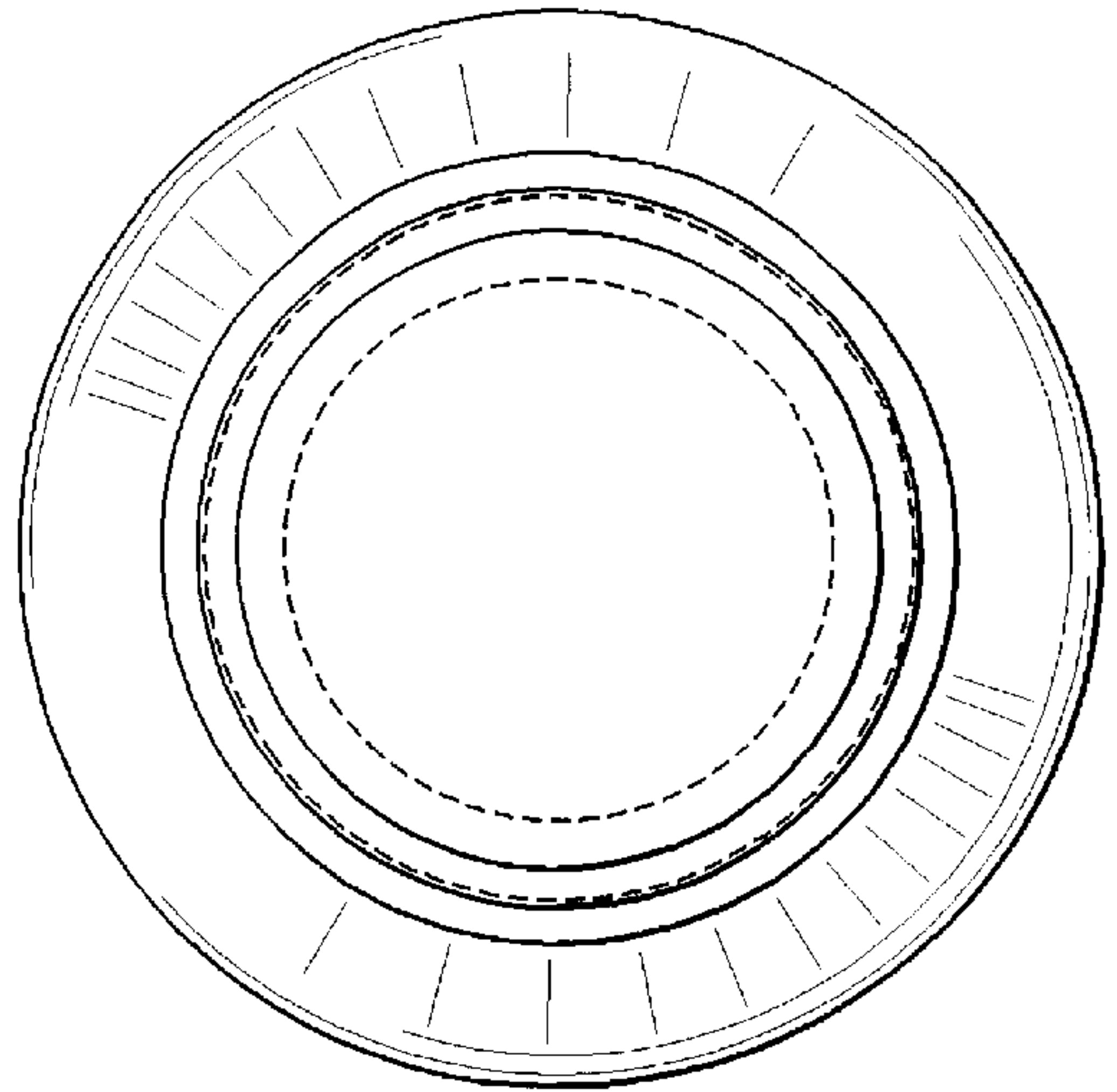


FIG. 3

