



US00D451023B1

(12) **United States Design Patent**  
**Kitamura et al.**

(10) **Patent No.:** **US D451,023 S**

(45) **Date of Patent:** **\*\* Nov. 27, 2001**

(54) **COVER FOR LIQUID CONTAINER**

5,147,054 \* 9/1992 Pehr ..... 215/253  
6,050,441 \* 4/2000 Kuo ..... 220/324

(75) Inventors: **Nobuyuki Kitamura**, Kyoto; **Norifumi Goto**, Aichi-Ken, both of (JP)

\* cited by examiner

(73) Assignee: **Nippon Sanso Corporation**, Tokyo (JP)

*Primary Examiner*—Cathron C. Brooks

(74) *Attorney, Agent, or Firm*—Jiawei Huang; J.C. Patents

(\*\*) Term: **14 Years**

(57) **CLAIM**

The Ornamental design for a cover for liquid container, as substantially shown and described.

(21) Appl. No.: **29/134,711**

(22) Filed: **Dec. 28, 2000**

**DESCRIPTION**

(30) **Foreign Application Priority Data**

Jul. 5, 2000 (JP) ..... 12-018325

FIG. 1 is a perspective view of a cover for liquid container view thereof;

(51) **LOC (7) Cl.** ..... **09-07**

FIG. 2 is a top view thereof;

(52) **U.S. Cl.** ..... **D9/449**

FIG. 3 is a front view thereof;

(58) **Field of Search** ..... D9/435, 440, 443, D9/447, 449, 450, 454; D7/629; 215/216, 239–242, 244, 245; 220/324, 334, 337–343

FIG. 4 is a rear view thereof;

FIG. 5 is a bottom plan view thereof;

FIG. 6 is a right side view thereof;

FIG. 7 is a left side view thereof;

FIG. 8 is a perspective view thereof, in an open position;

FIG. 9 is a top plan view of FIG. 8;

FIG. 10 is a sectional view thereof taken along line 10–10 of FIG. 2;

FIG. 11 is a sectional thereof taken along line 11–11 of FIG. 3; and,

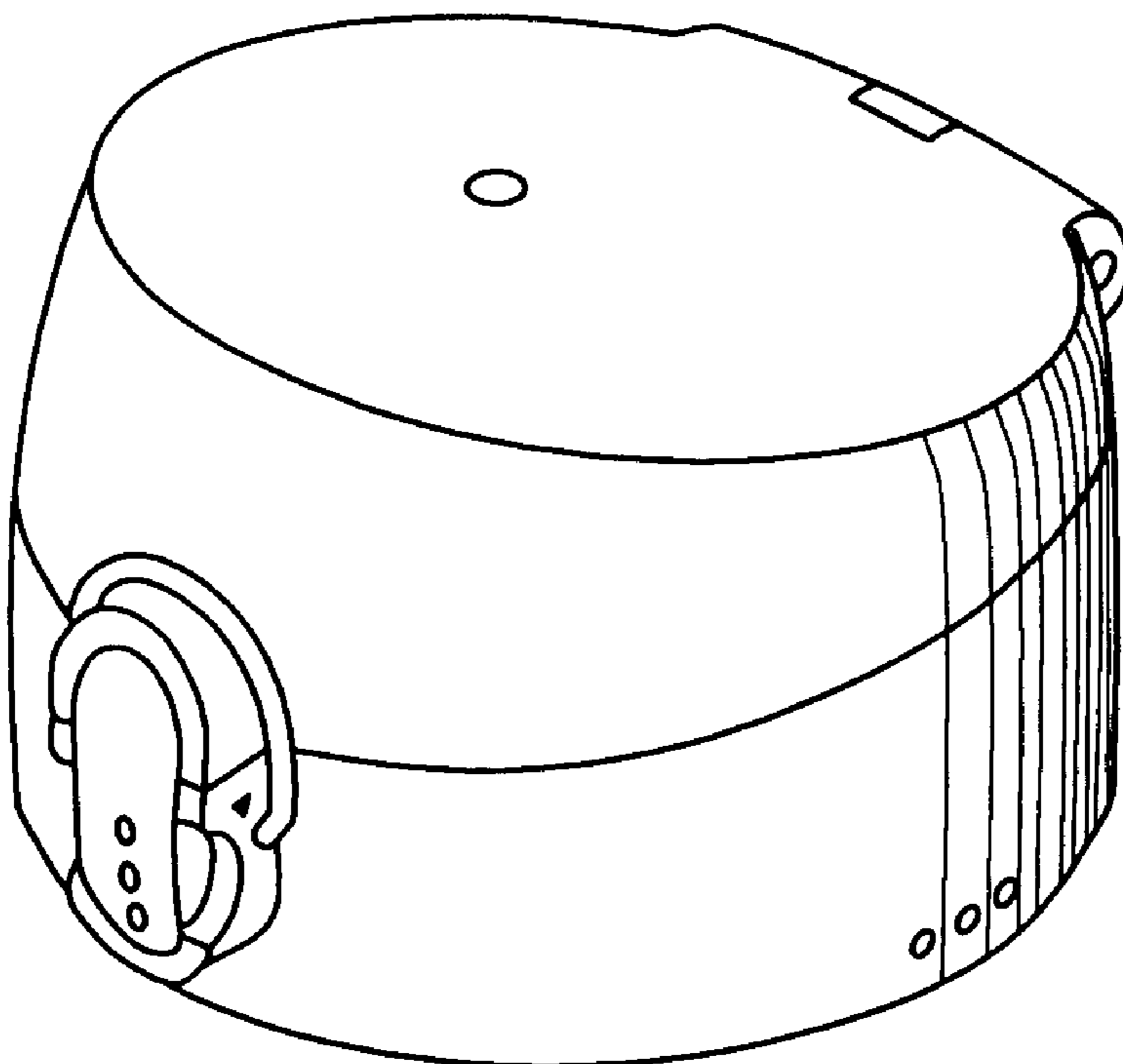
FIG. 12 is a sectional view of FIG. 8 taken along line 12–12 of FIG. 9.

(56) **References Cited**

**U.S. PATENT DOCUMENTS**

D. 370,845 \* 6/1996 Sherman et al. .... D9/438  
D. 374,399 \* 10/1996 Neveras et al. .... D9/447  
D. 398,852 \* 9/1998 Gross ..... D9/453  
D. 405,654 \* 2/1999 Moran ..... D7/629  
D. 424,422 \* 5/2000 Landhed ..... D9/302  
2,594,467 \* 4/1952 Lynch .  
4,787,526 \* 11/1988 Pehr ..... 215/216

**1 Claim, 6 Drawing Sheets**



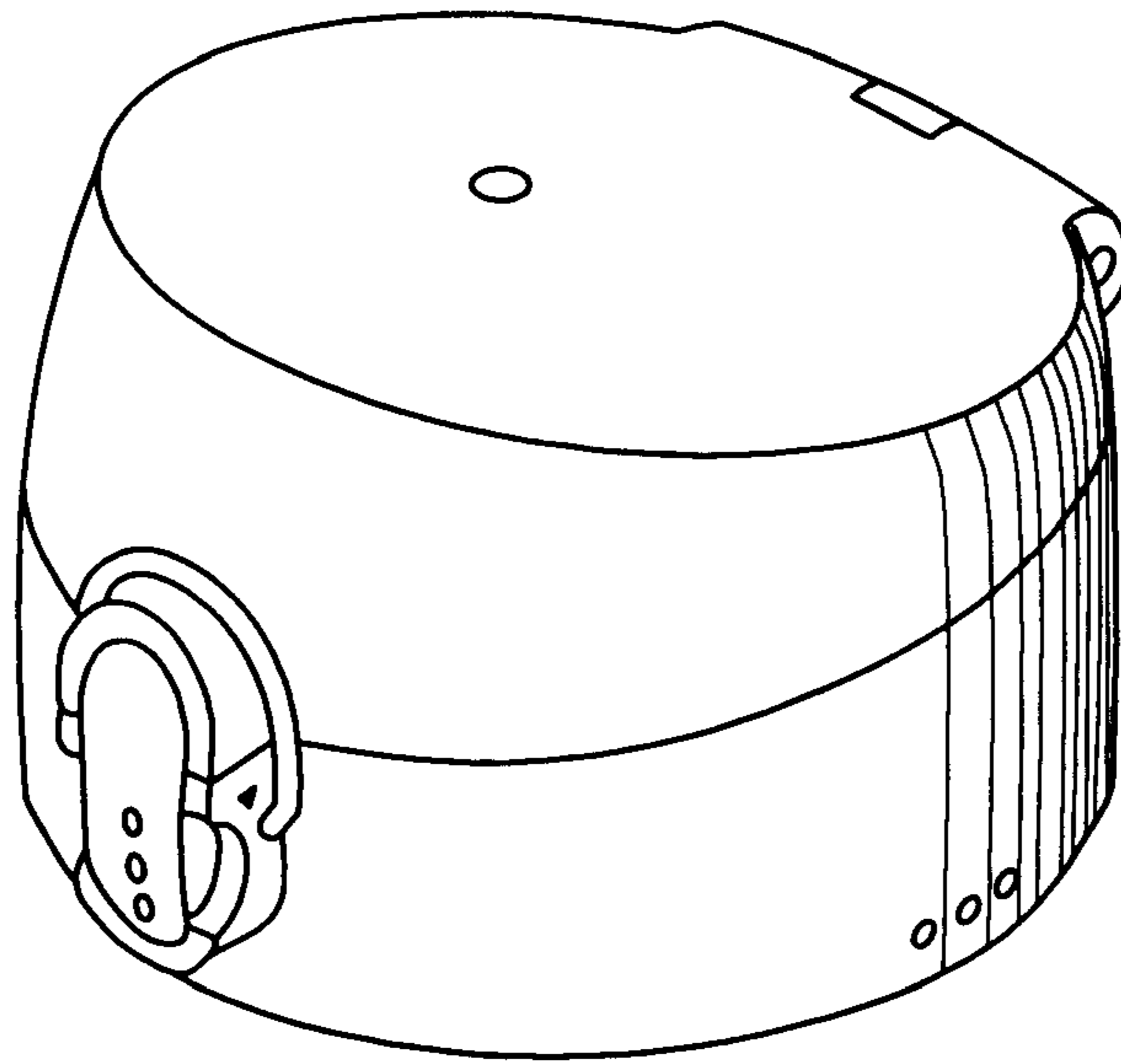


FIG. 1

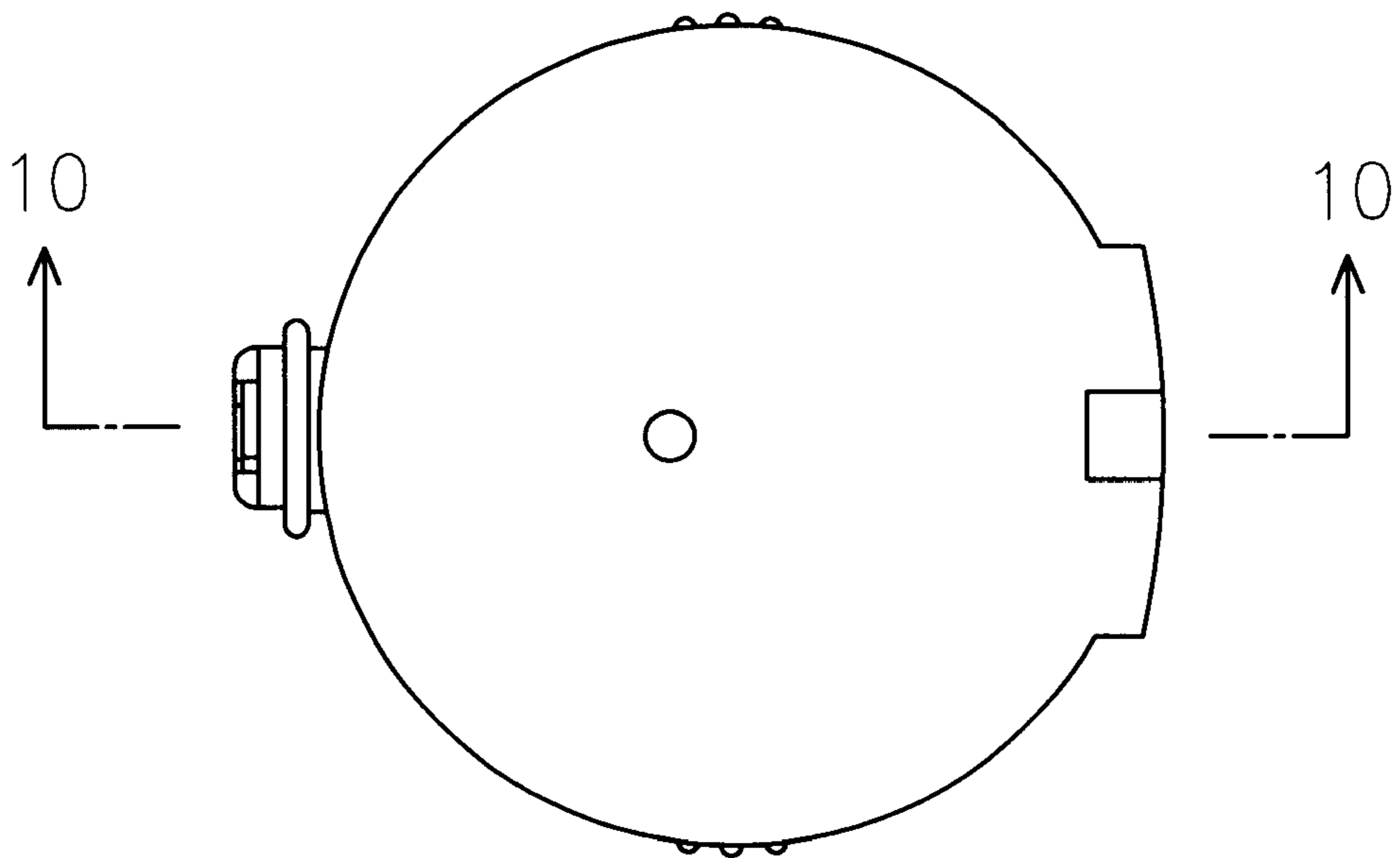


FIG. 2

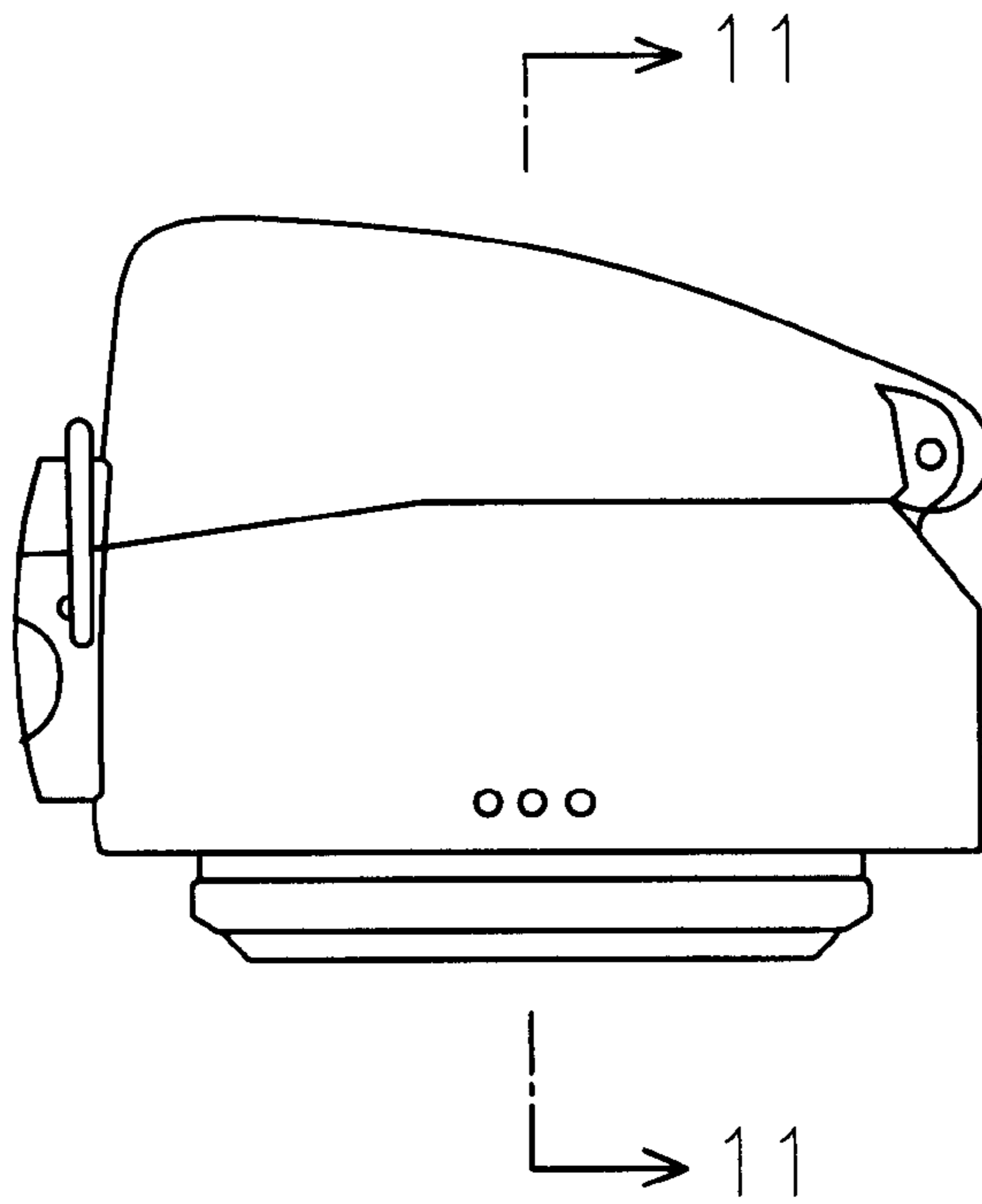


FIG. 3

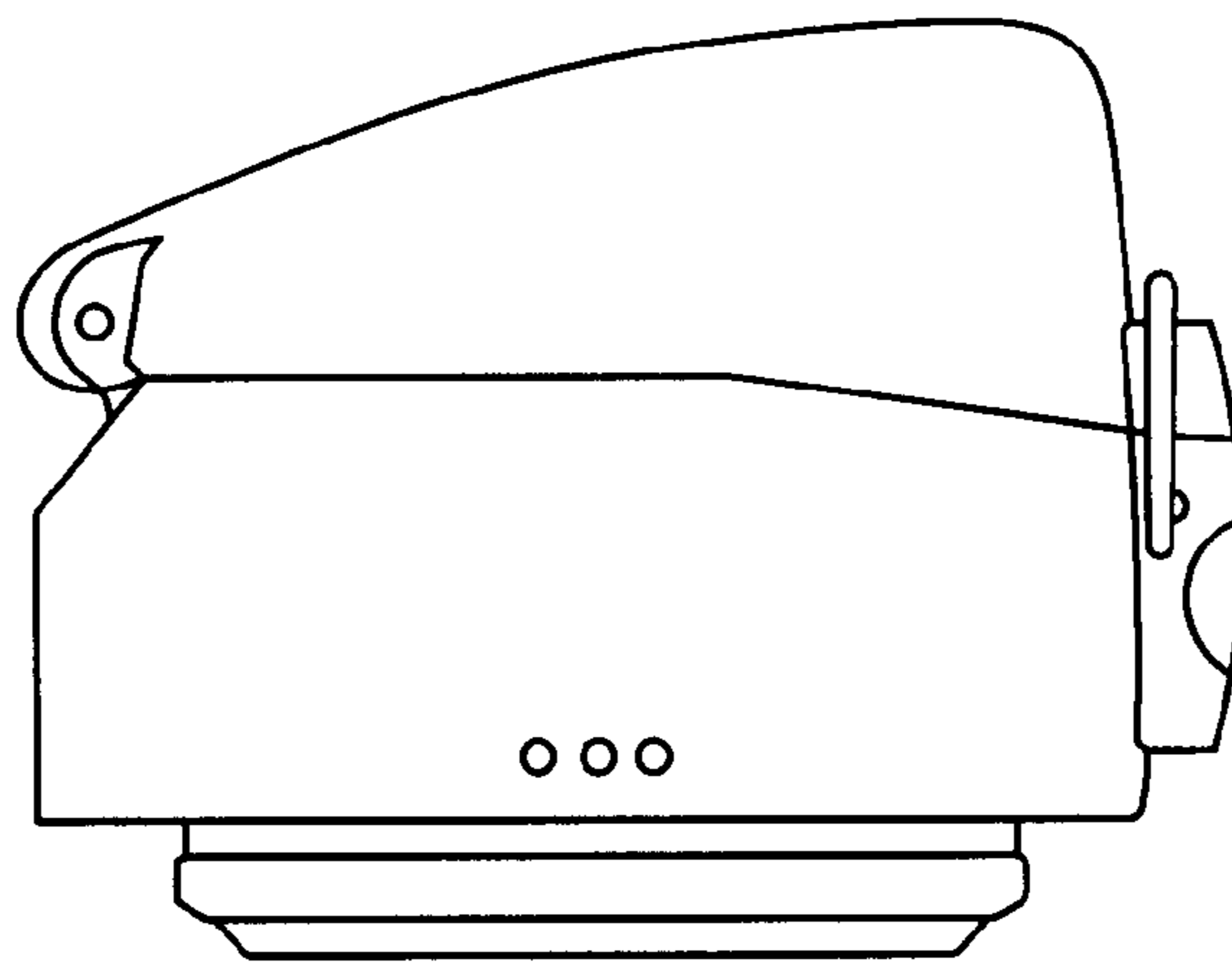


FIG. 4

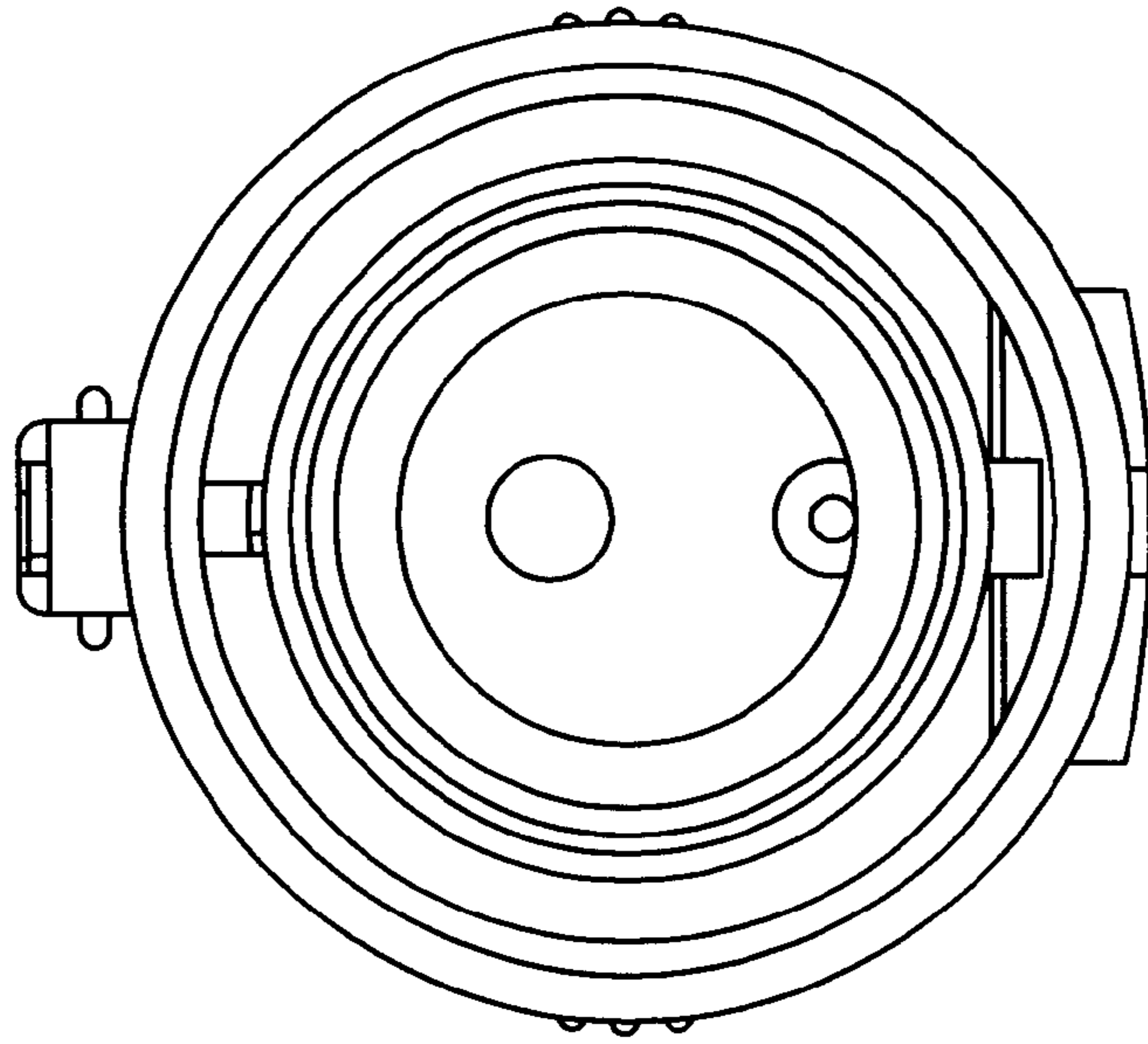


FIG. 5

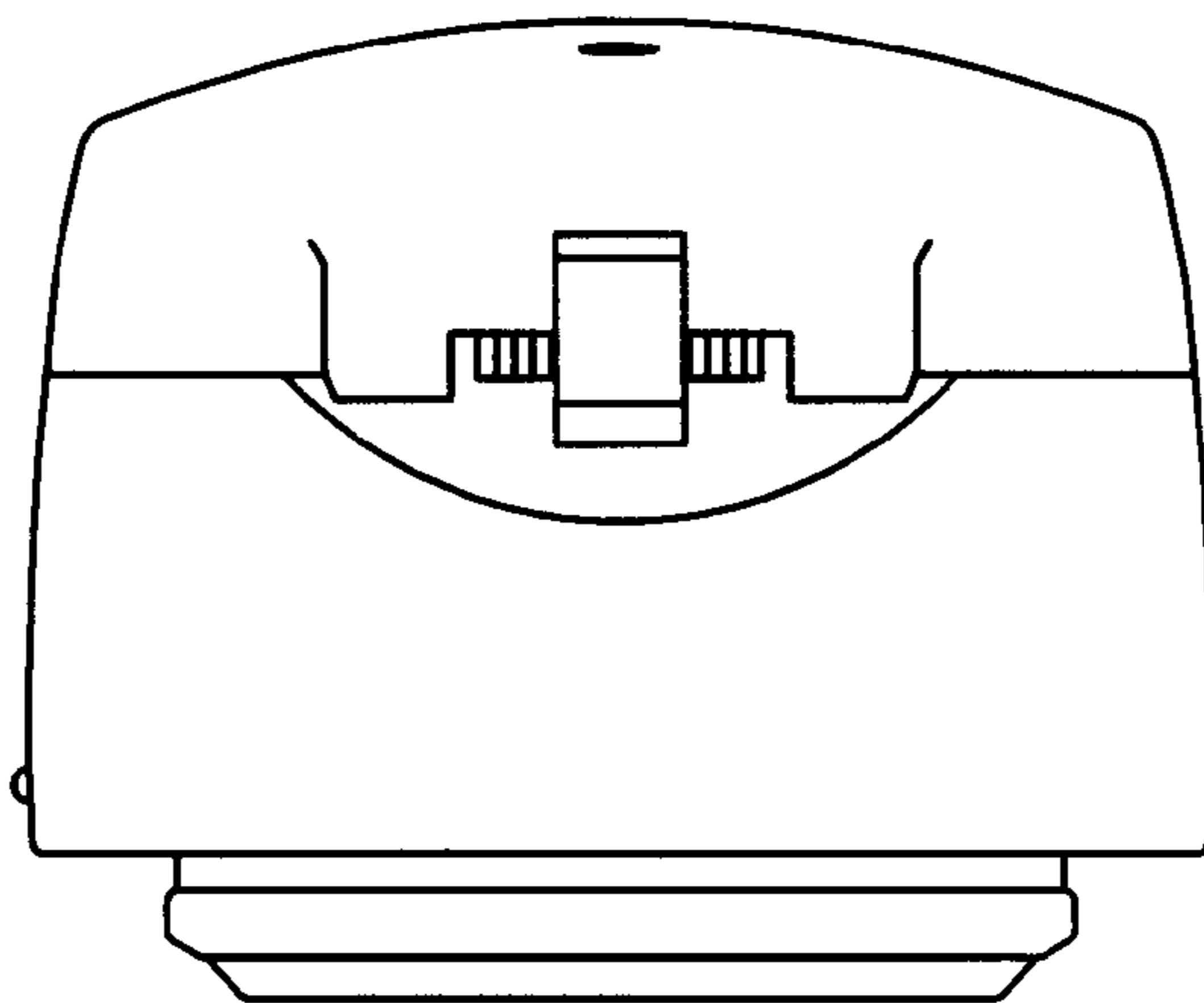


FIG. 6

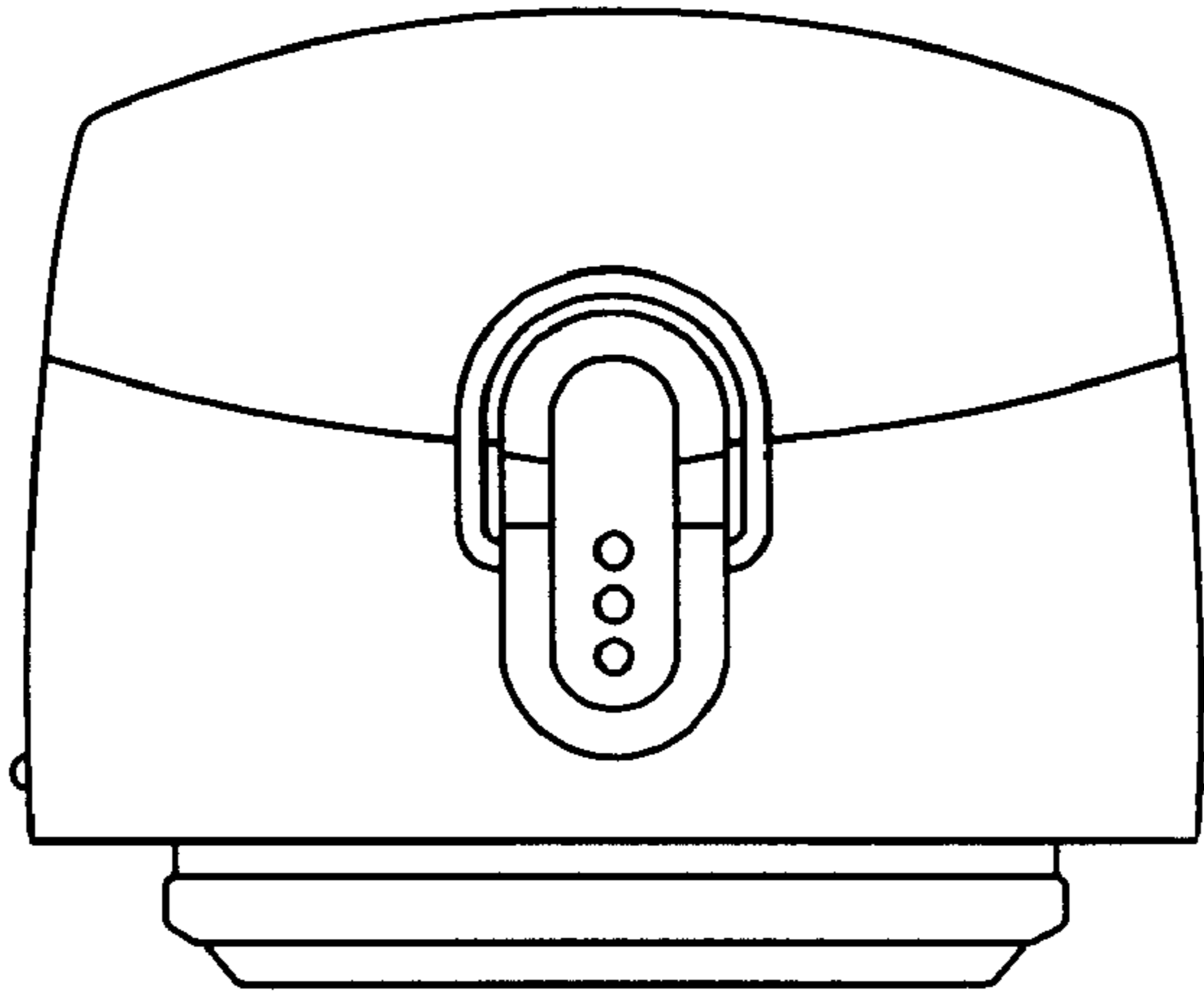


FIG. 7

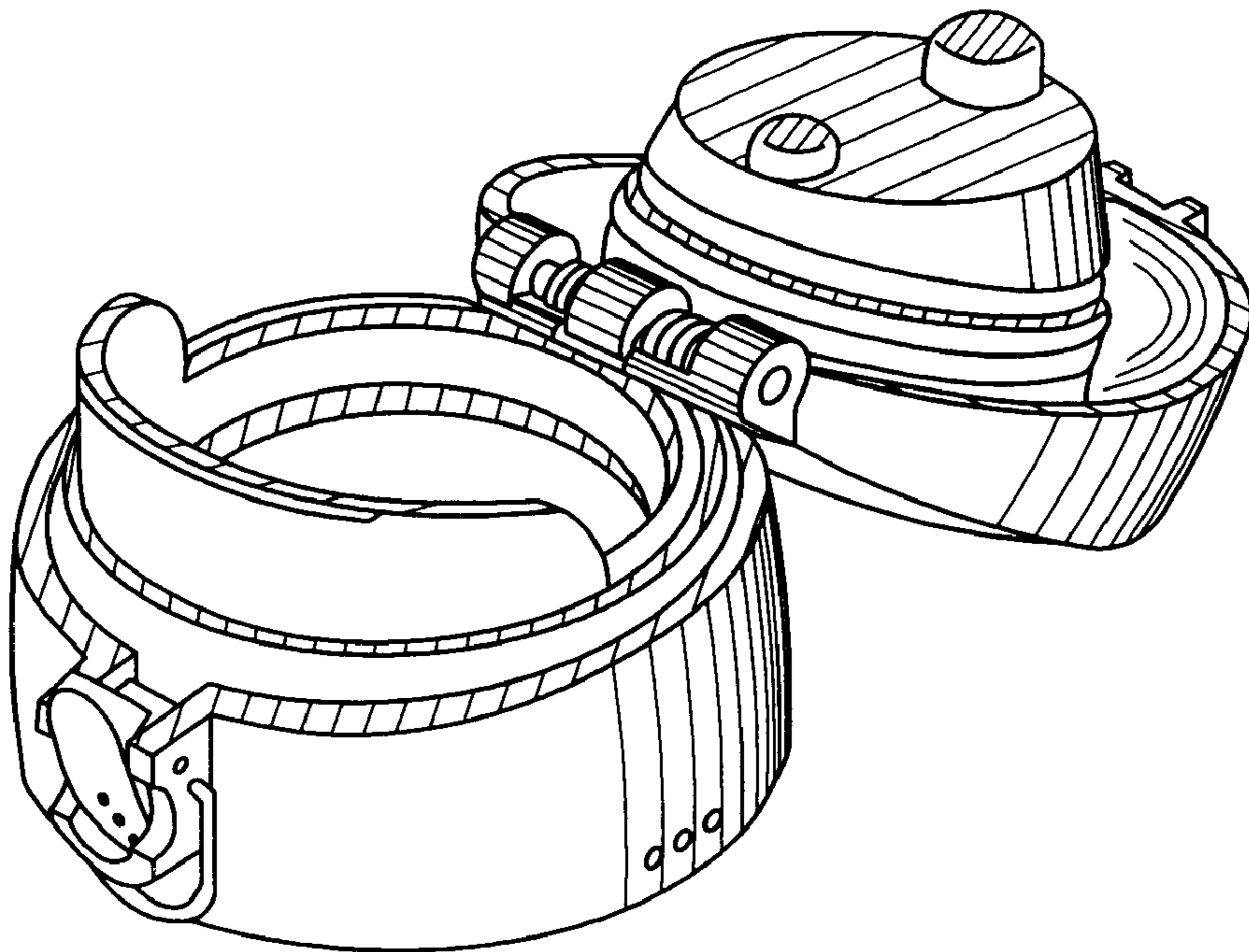


FIG. 8

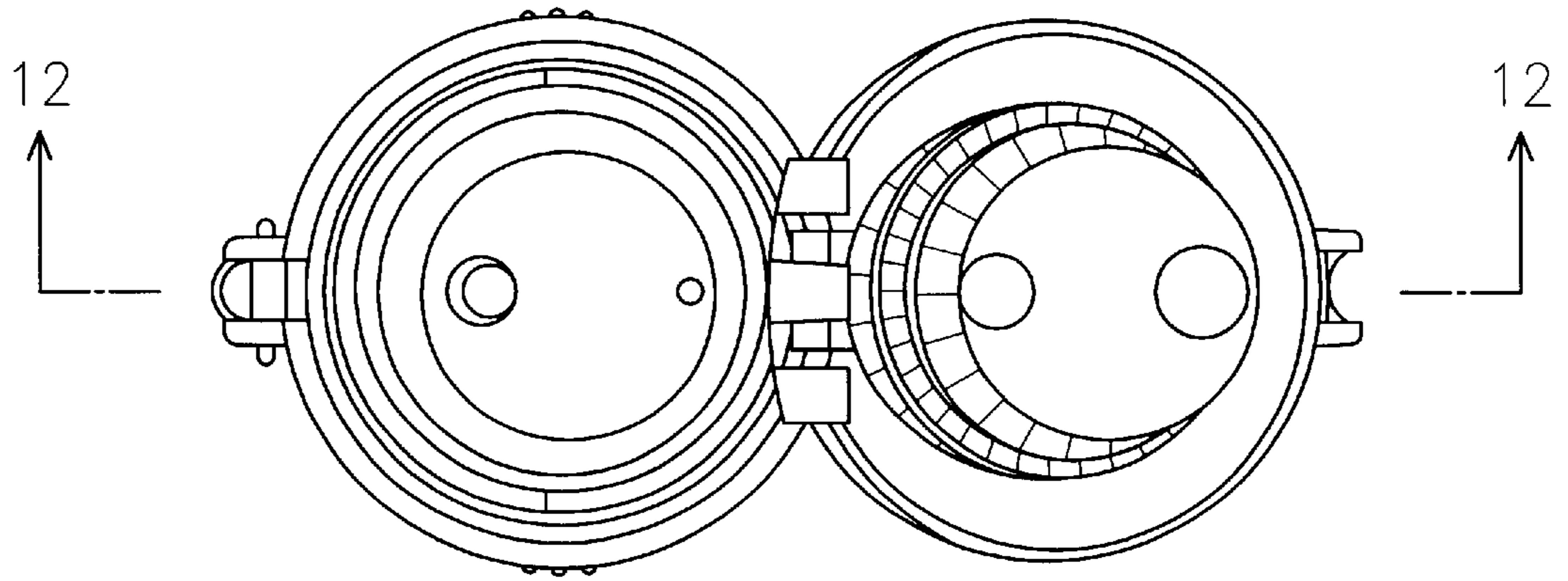


FIG. 9

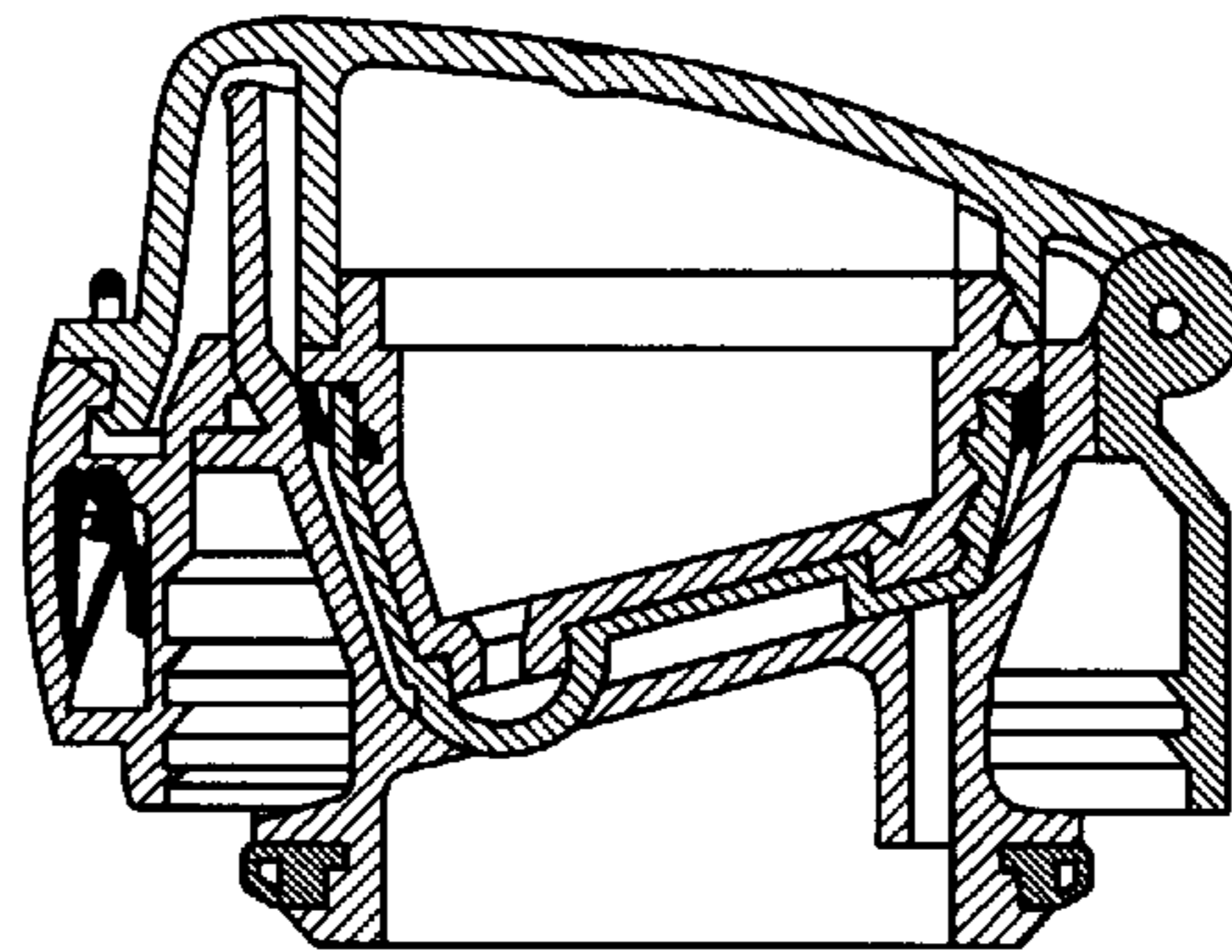


FIG. 10

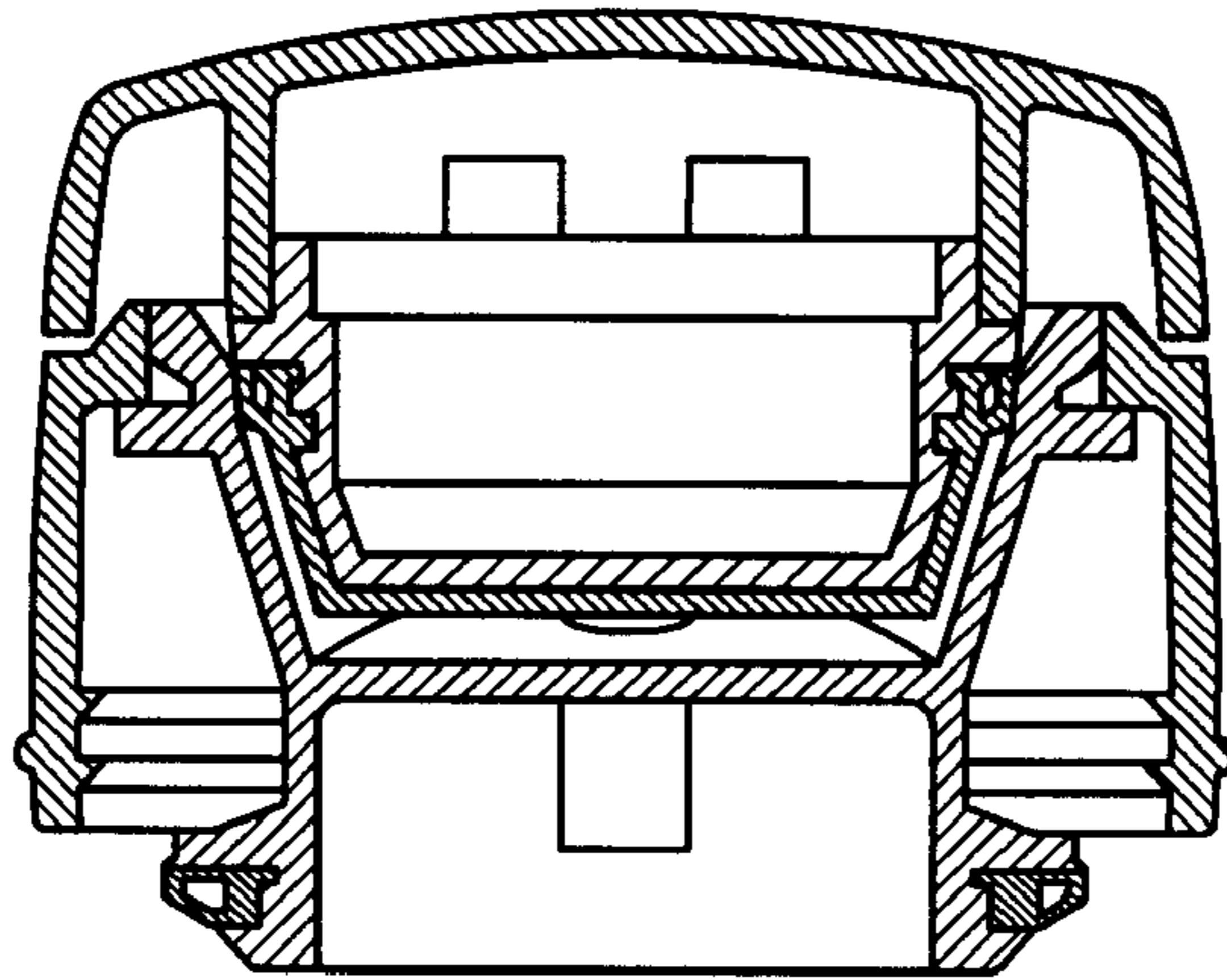


FIG. 11

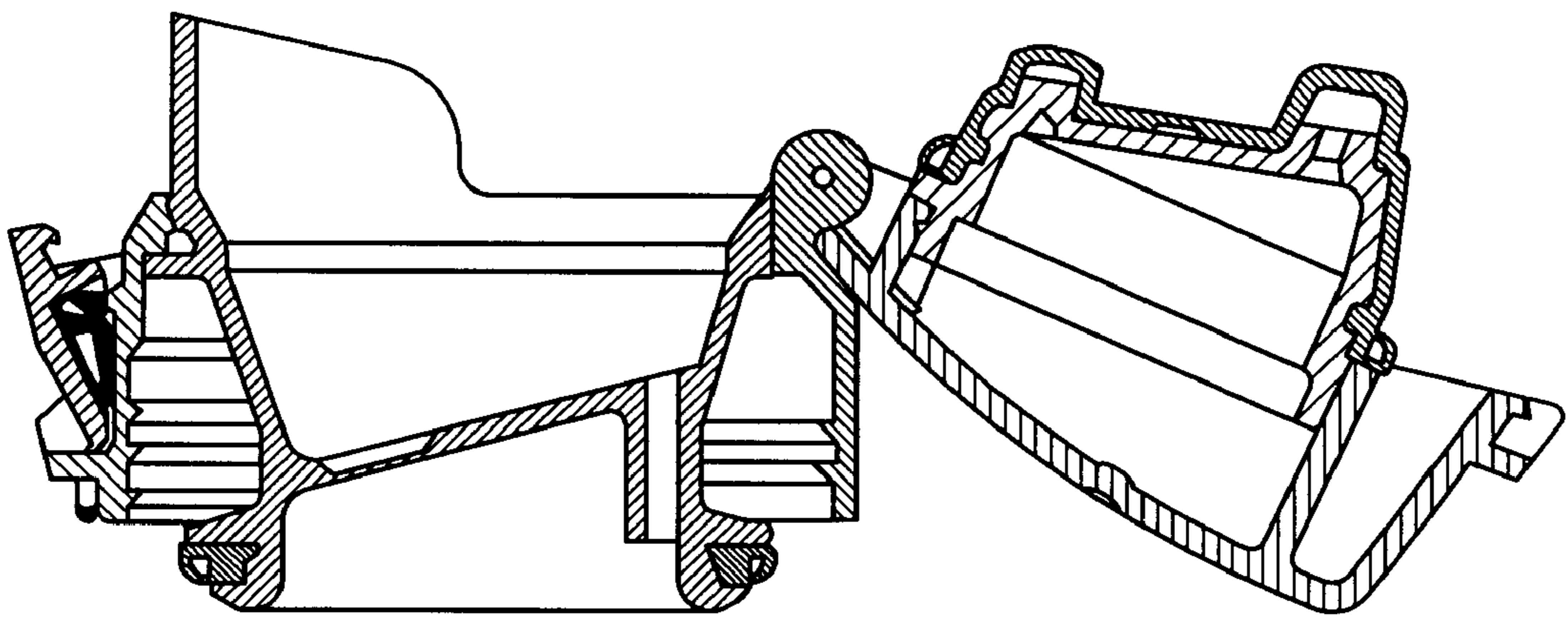


FIG. 12