



US00D451020B1

(12) **United States Design Patent**
Koenig

(10) **Patent No.:** **US D451,020 S**

(45) **Date of Patent:** **** Nov. 27, 2001**

(54) **BOTTLE NECK ADAPTER**

884,761 * 4/1908 Richard 222/568

(76) Inventor: **Harald Koenig**, Buerglstrein Str. 4,
A-5020 Salzburg (AT)

* cited by examiner

(**) Term: **14 Years**

Primary Examiner—Dominic Simone

(74) *Attorney, Agent, or Firm*—Patterson, Belknap, Webb
& Tyler LLP

(21) Appl. No.: **29/126,196**

(57) **CLAIM**

(22) Filed: **Jul. 10, 2000**

I claim the ornamental design for a bottle neck adapter, as shown and described.

(51) **LOC (7) Cl.** **09-07**

(52) **U.S. Cl.** **D9/434**

(58) **Field of Search** D9/434, 435, 447;
222/566-573; 215/40-46

DESCRIPTION

FIG. 1 is a perspective view of my design;

FIG. 2 is an elevational view of my design;

FIG. 3 is a top plan view of my design; and,

FIG. 4 is a bottom plan view of my design.

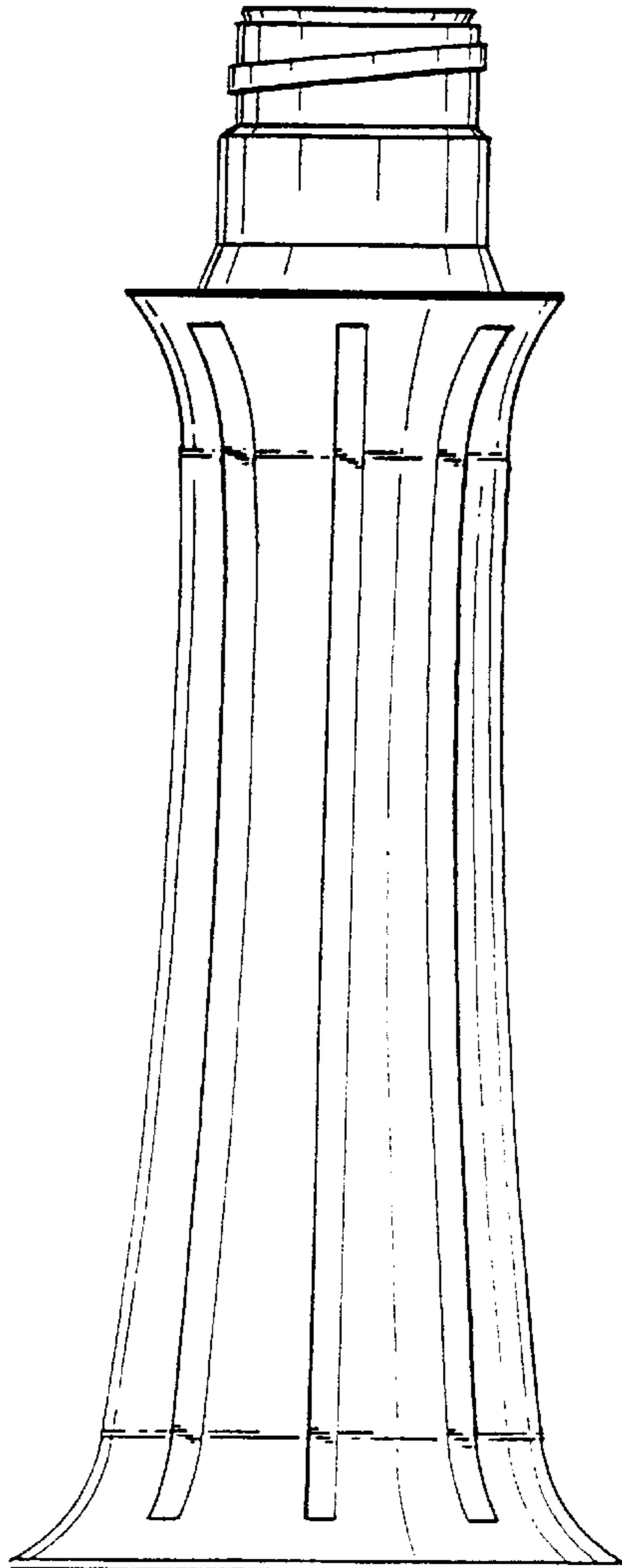
The broken lines depict environmental structure which forms no part of the claimed design.

(56) **References Cited**

U.S. PATENT DOCUMENTS

- D. 298,015 * 10/1988 Gendron et al. D9/447
- D. 318,233 * 7/1991 Ackerman D9/447
- D. 383,065 * 9/1997 Eastling D9/447
- D. 439,166 * 3/2001 Denner et al. D9/434

1 Claim, 2 Drawing Sheets



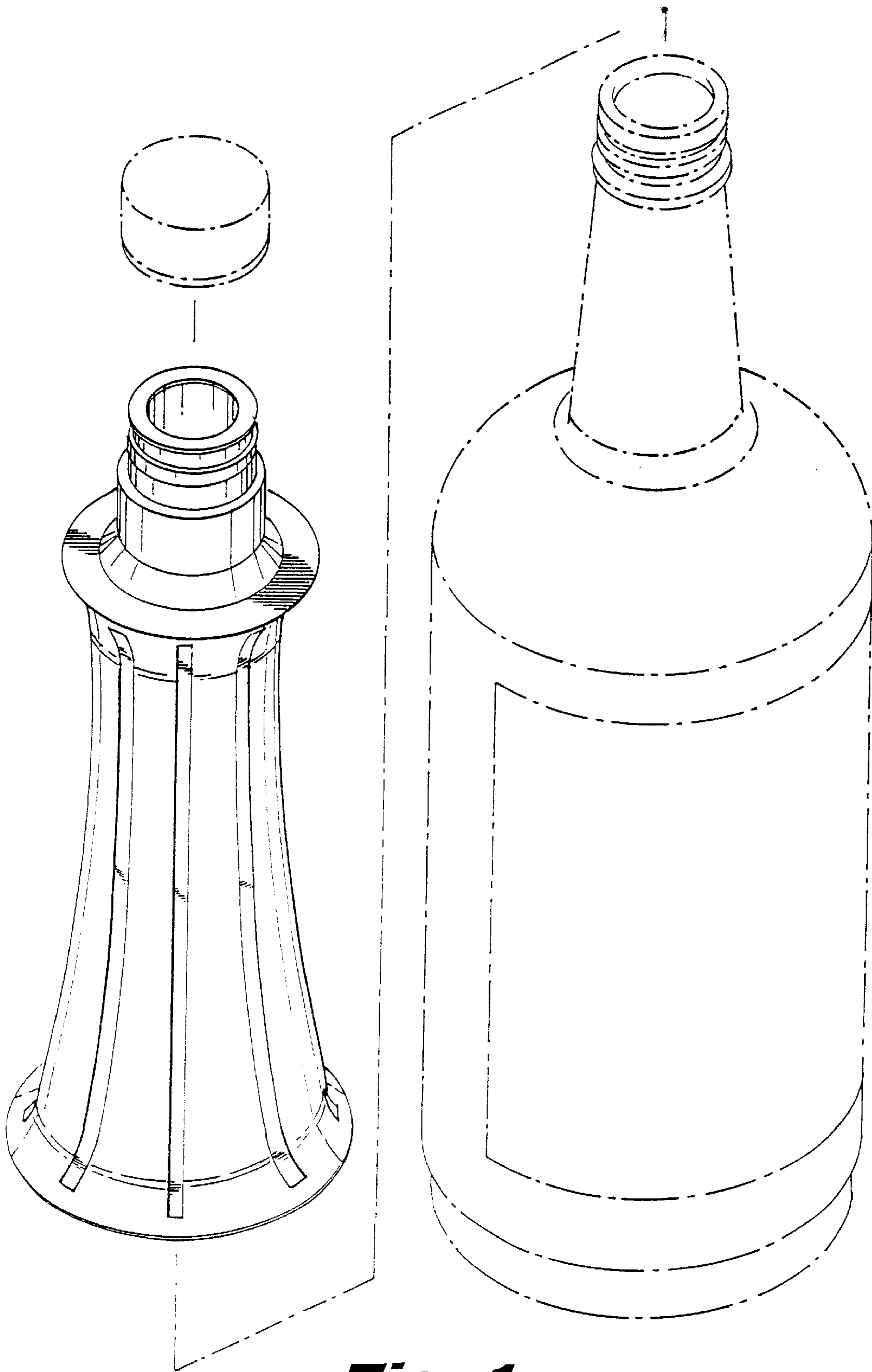


Fig. 1

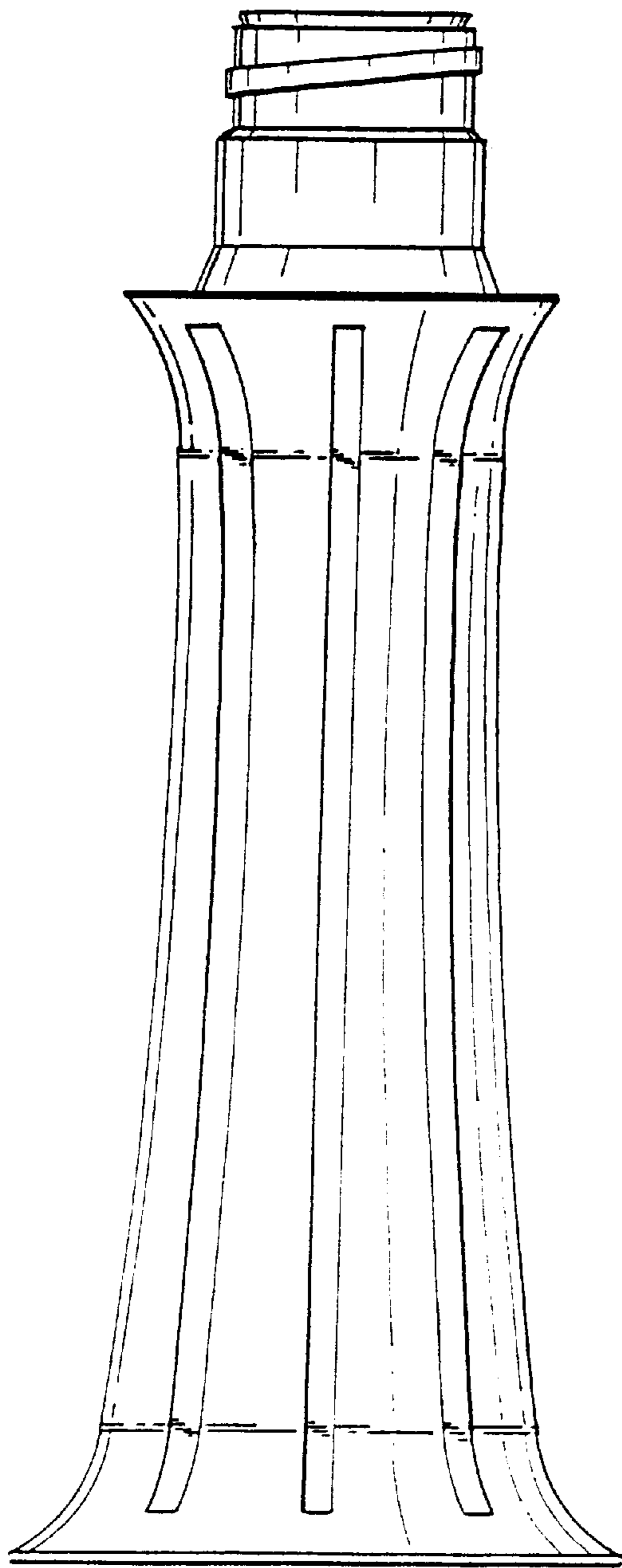


Fig. 2

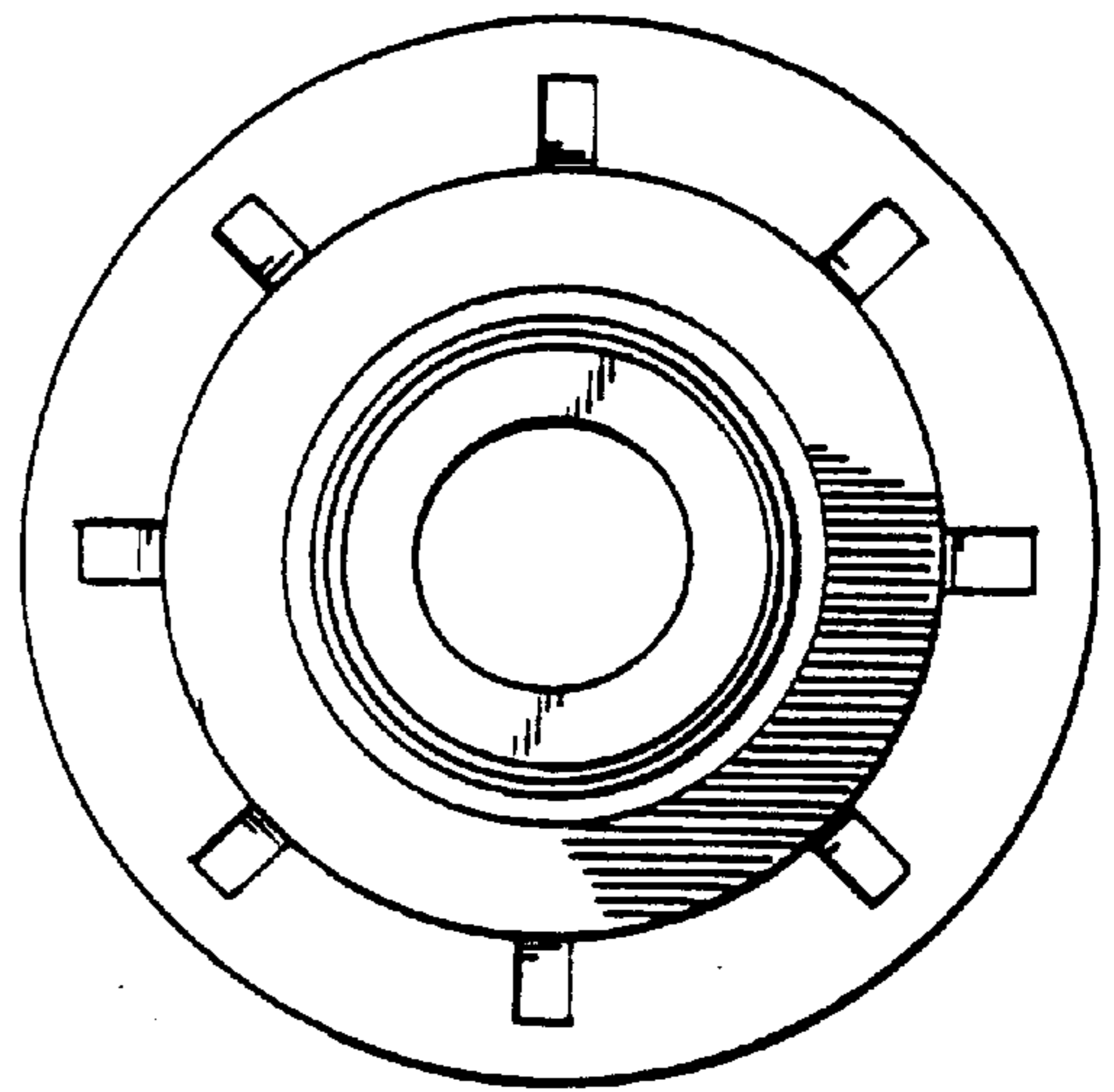


Fig. 3

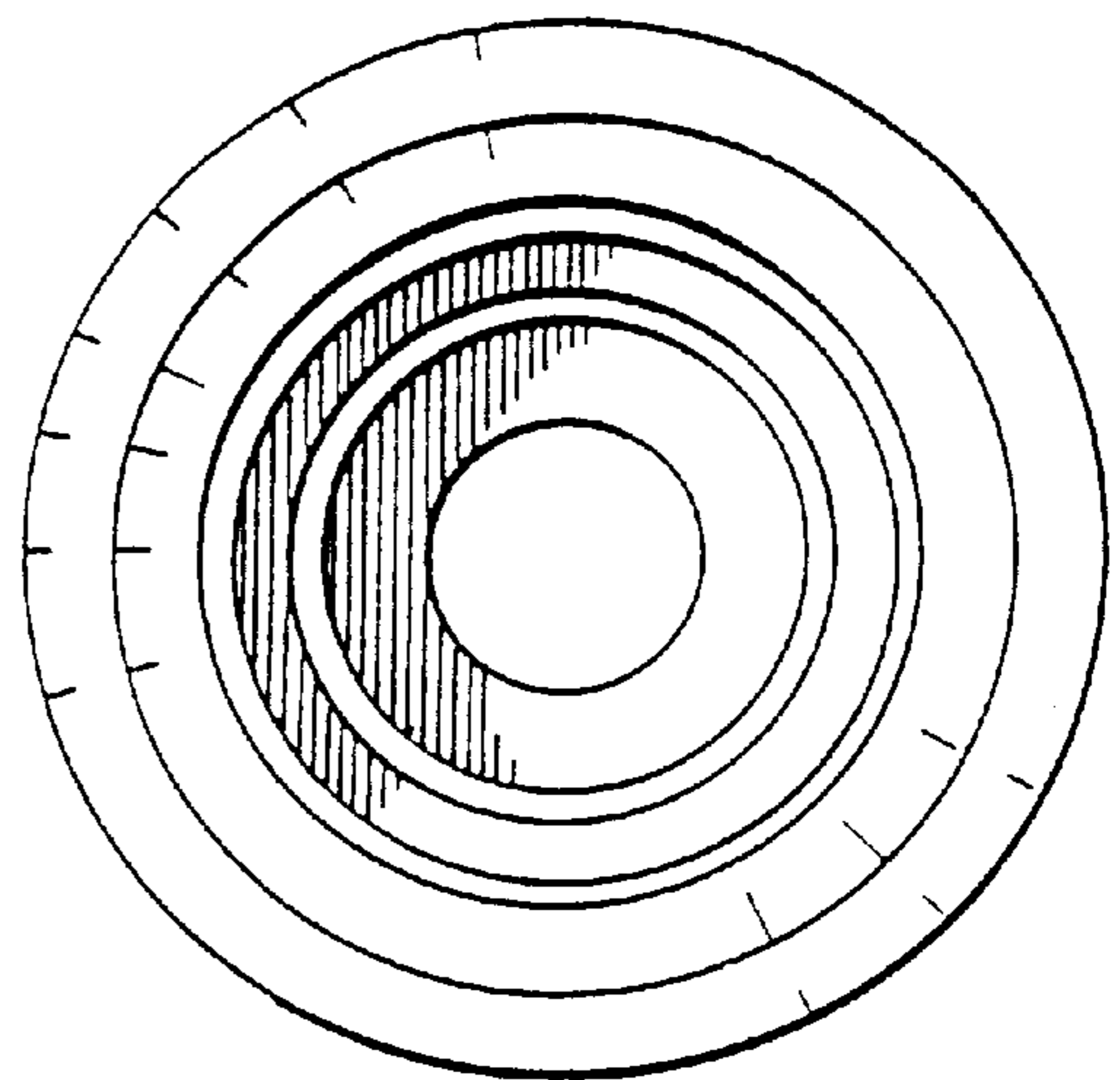


Fig. 4