



US00D451017B1

(12) **United States Design Patent**
Lancman

(10) **Patent No.:** **US D451,017 S**

(45) **Date of Patent:** **** Nov. 27, 2001**

- (54) **BOX**
- (76) Inventor: **Mark Lancman**, 33 W. 16th St., New York, NY (US) 10011
- (**) Term: **14 Years**
- (21) Appl. No.: **29/130,105**
- (22) Filed: **Sep. 28, 2000**
- (51) **LOC (7) Cl.** **09-03**
- (52) **U.S. Cl.** **D9/423; D9/432**
- (58) **Field of Search** D9/420-424, 432, D9/337, 414, 416, 417; 229/103.3, 117, 122.27, 122.28, 122.3, 122.31, 171-174, 198.1, 939, 919, 125, 116.1, 116.5; 206/457

- 2,426,484 * 8/1947 Buffenbarger 229/125
- 2,936,941 * 5/1960 Lewis 229/122.27
- 3,203,617 * 8/1965 Paige 229/939
- 3,490,679 * 1/1970 Heller et al. 229/122.3
- 4,059,220 * 11/1977 Lorenz 229/939

* cited by examiner

Primary Examiner—Prabhakar Deshmukh
(74) *Attorney, Agent, or Firm*—Charles C. Corbin

(57) **CLAIM**

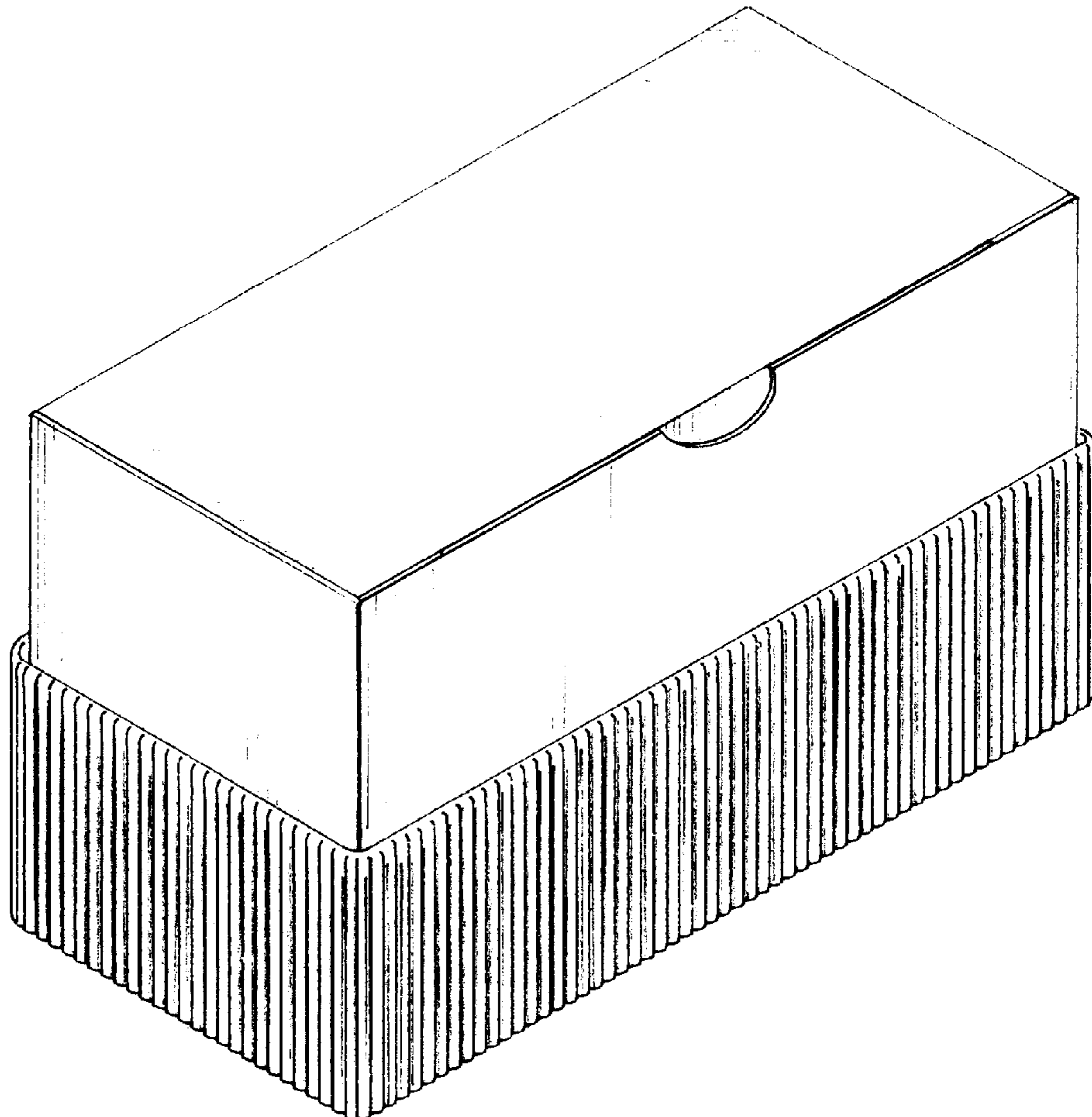
I claim the ornamental design for a box, as shown and described.

DESCRIPTION

FIG. 1 is a front, upper right perspective view of a box showing my new box design;
FIG. 2 is a bottom plan view thereof;
FIG. 3 is a right side elevational view thereof;
FIG. 4 is a left side elevational view thereof;
FIG. 5 is a front elevational view thereof;
FIG. 6 is a rear elevational view thereof; and,
FIG. 7 is a top plan view thereof.

- (56) **References Cited**
- U.S. PATENT DOCUMENTS
- D. 311,685 * 10/1990 Tozawa D9/423
- D. 311,686 * 10/1990 Tozawa D9/423
- 1,310,766 * 7/1919 Myers 229/125
- 1,640,368 * 8/1927 Obetz et al. 229/939
- 2,002,364 * 5/1935 Daller 229/925

1 Claim, 2 Drawing Sheets



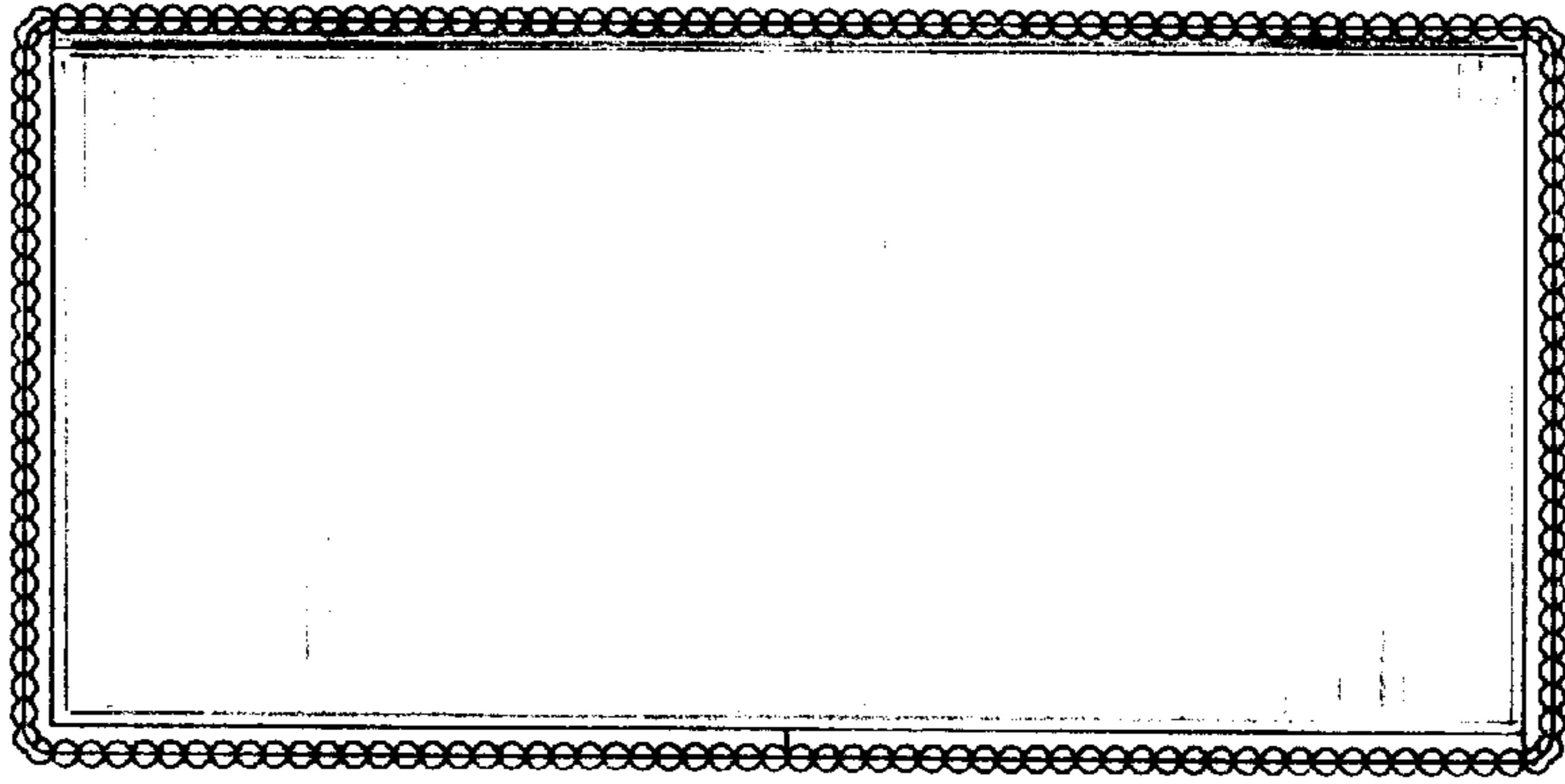


FIG. 2

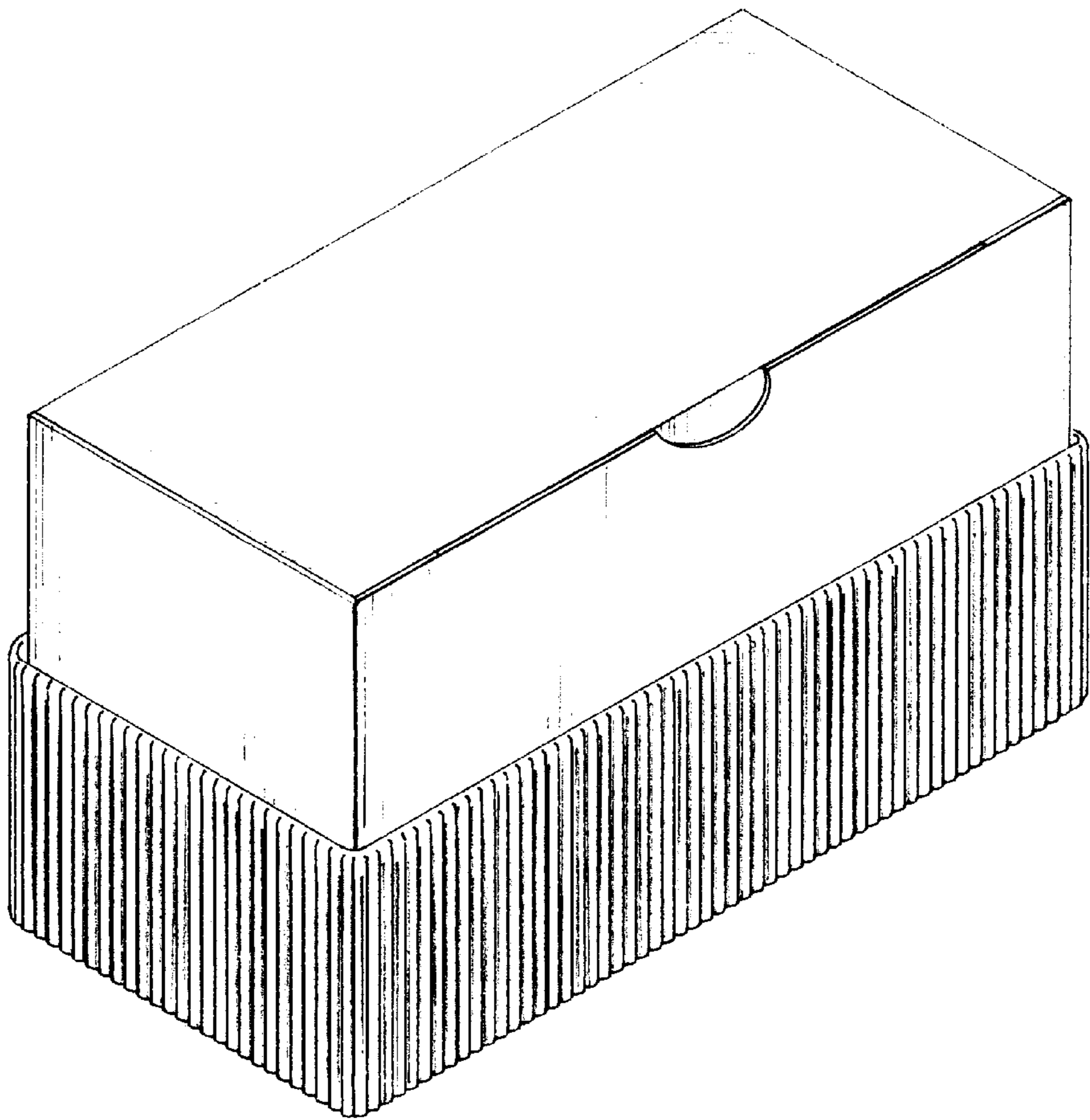


FIG. 1

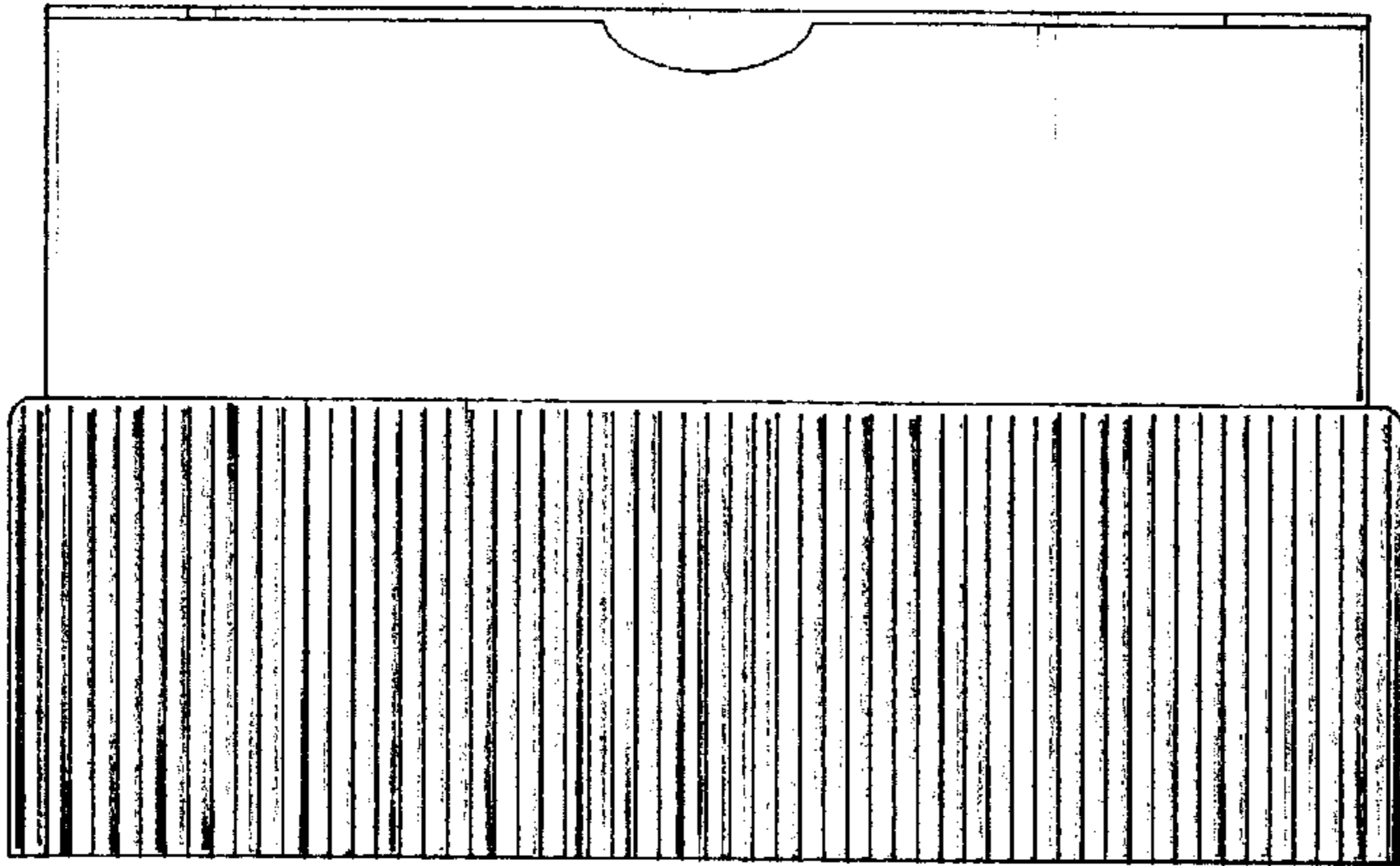


FIG. 3

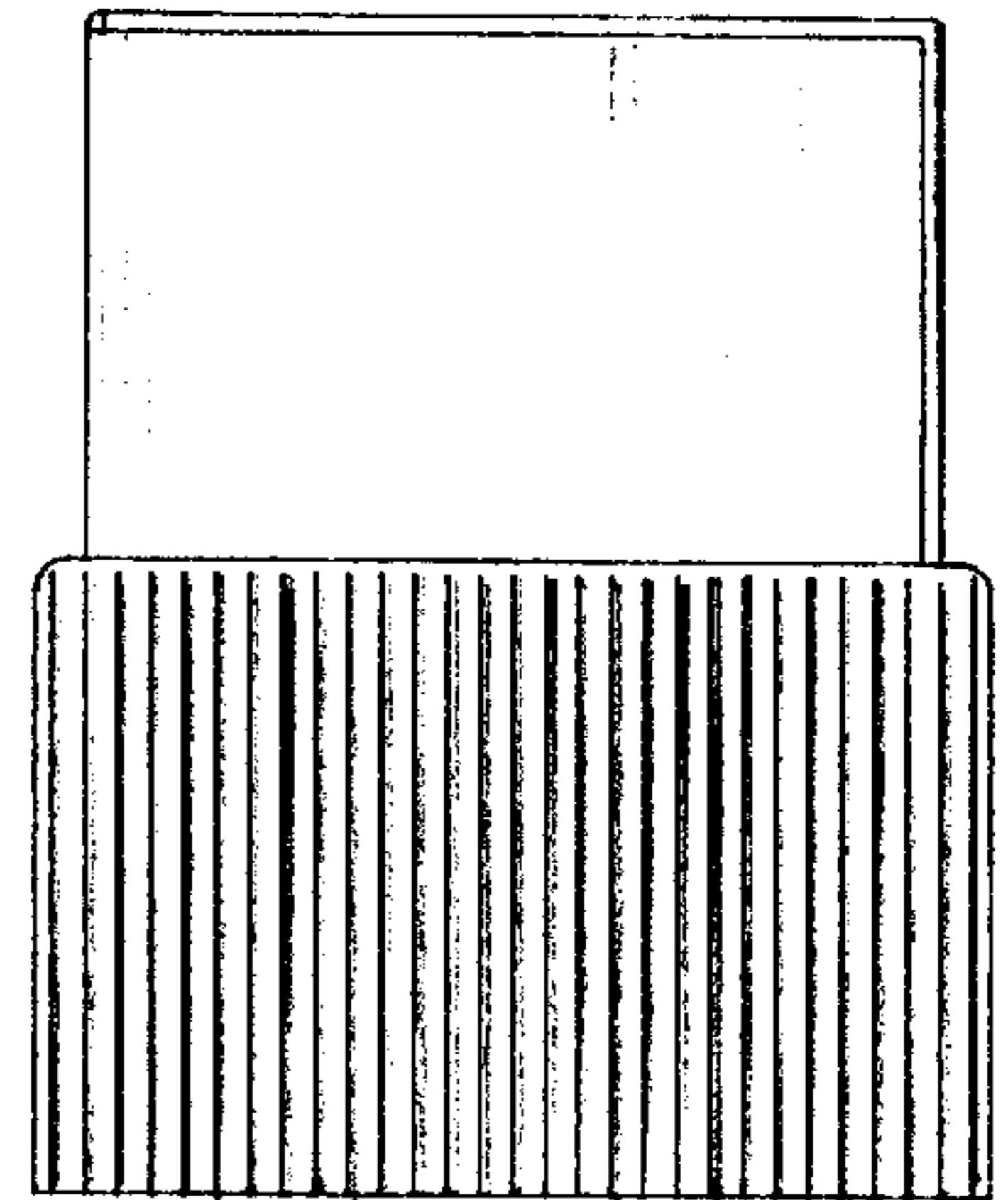


FIG. 5

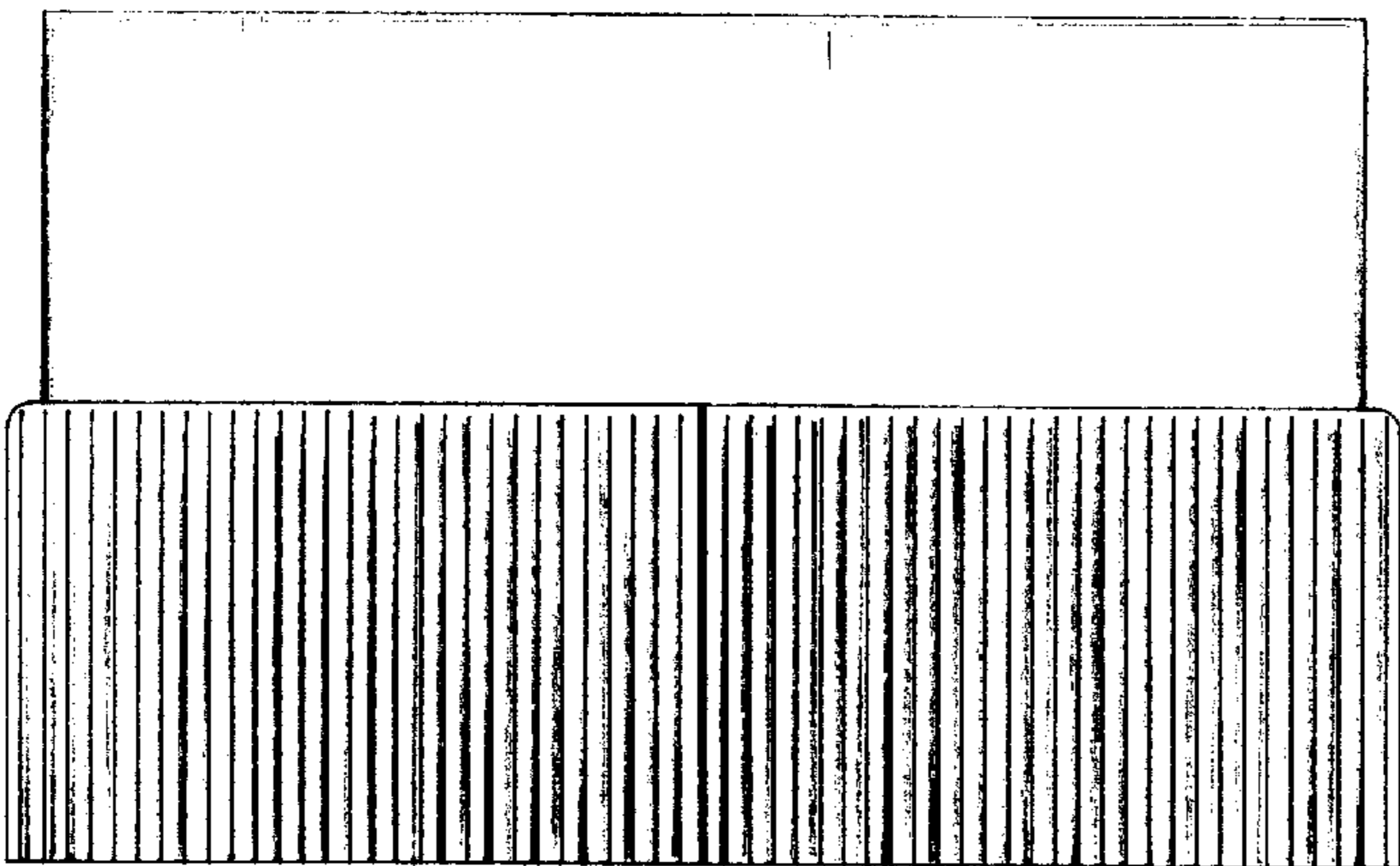


FIG. 4

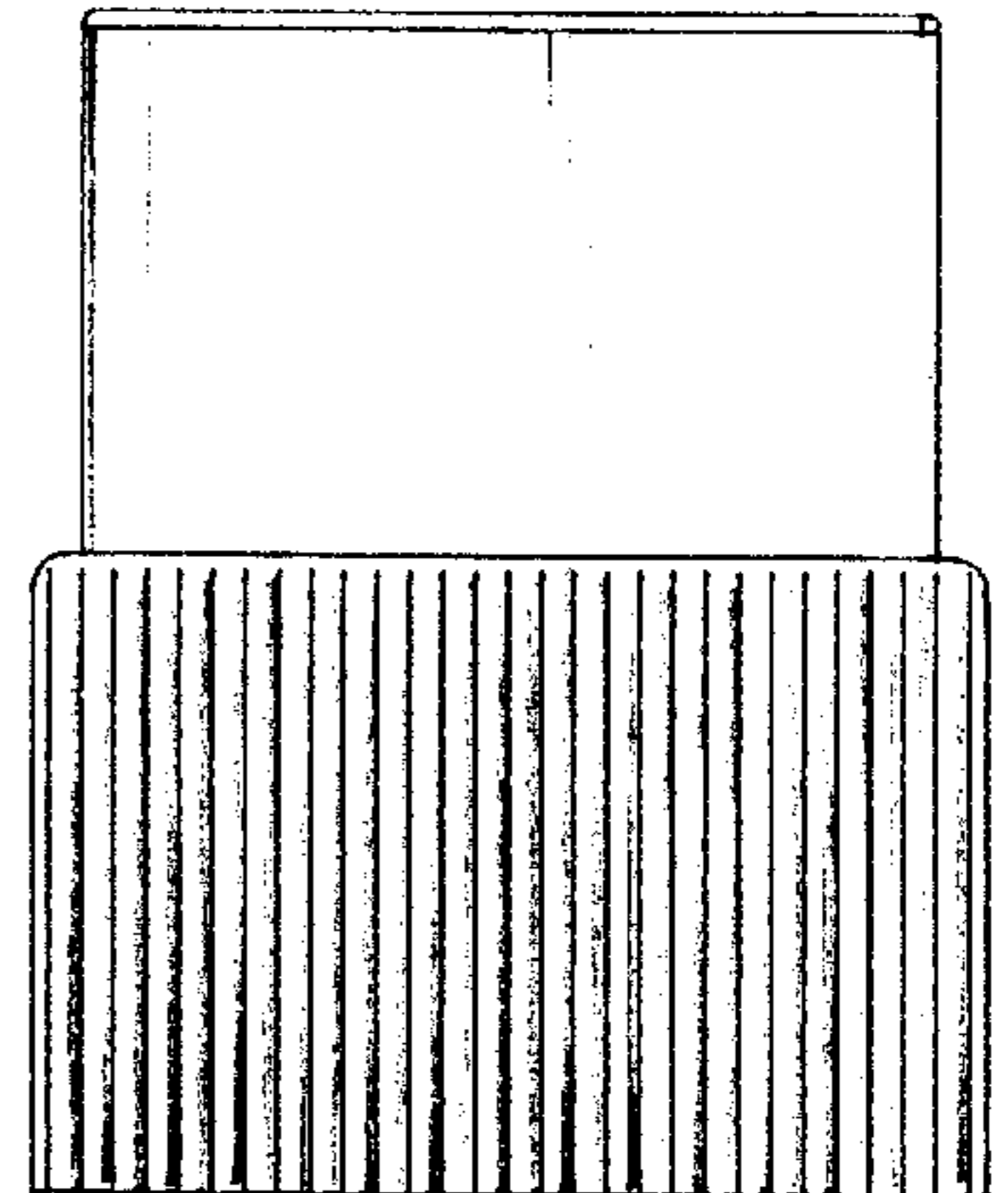


FIG. 6

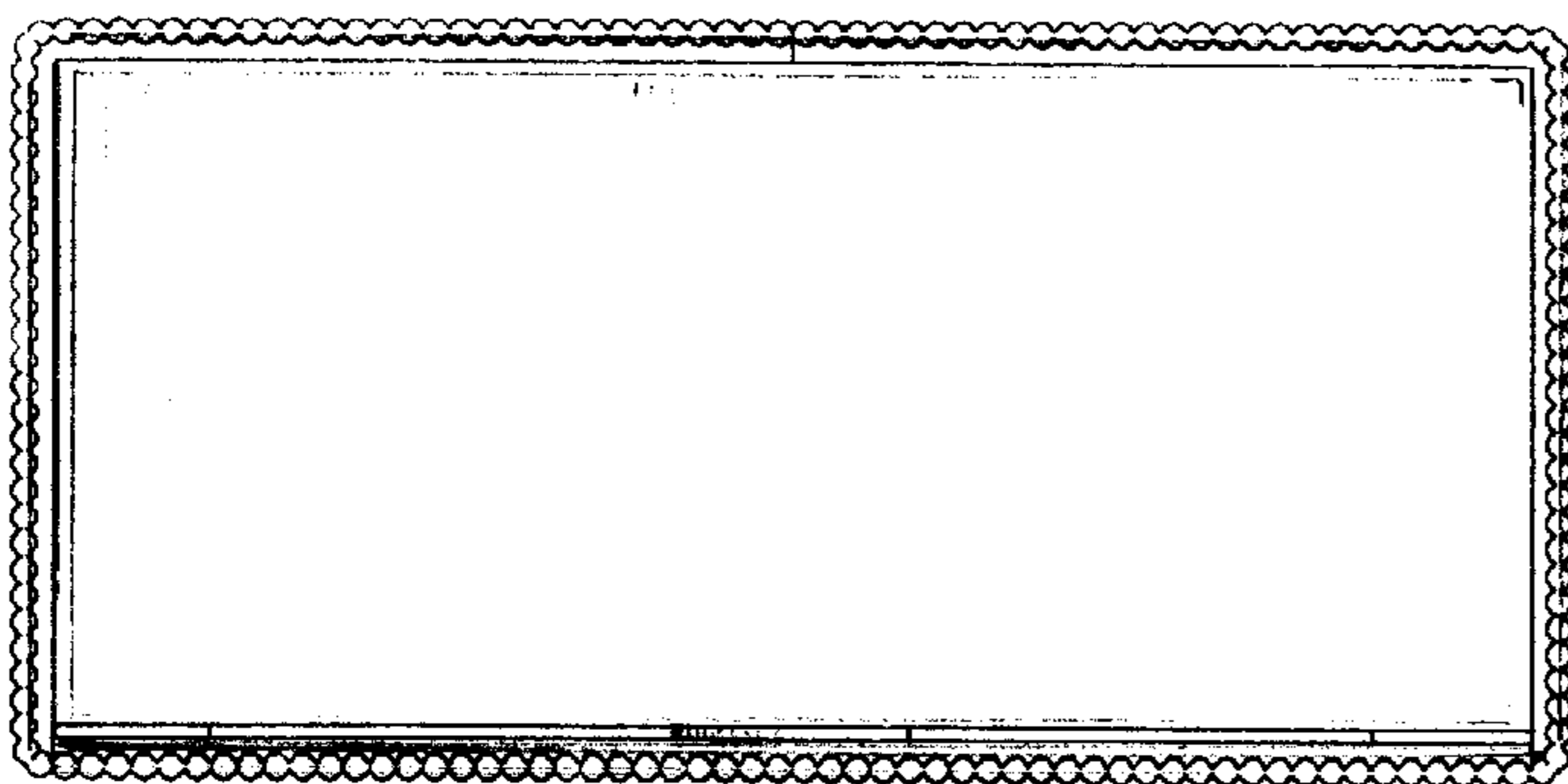


FIG. 7