



US00D451008B1

(12) **United States Design Patent**
Crawford

(10) **Patent No.:** **US D451,008 S**

(45) **Date of Patent:** **** Nov. 27, 2001**

(54) **CONTAINER**

D. 433,932 * 11/2000 Kuzma et al. D9/300

(75) Inventor: **John C. Crawford**, Mahopac, NY (US)

* cited by examiner

(73) Assignee: **Colgate-Palmolive Company**, New York, NY (US)

Primary Examiner—Cathron C. Brooks

(74) *Attorney, Agent, or Firm*—Michael J. McGreal

(**) Term: **14 Years**

(57) **CLAIM**

(21) Appl. No.: **29/122,489**

The ornamental design for a container, as shown and described.

(22) Filed: **Apr. 26, 2000**

DESCRIPTION

Related U.S. Application Data

(63) Continuation-in-part of application No. 29/090,393, filed on Jul. 8, 1998, now Pat. No. Des. 433,623.

(51) **LOC (7) Cl.** **09-01**

(52) **U.S. Cl.** **D9/300; D9/560**

(58) **Field of Search** D9/300, 530, 542, D9/543, 558, 560, 573, 574; 222/320, 321.1, 321.6, 321.7, 321.8, 321.9, 324

FIG. 1 is a perspective view of the container of my design. FIG. 2 is a front elevation view thereof, the rear elevation view being a mirror image thereof.

FIG. 3 is a left side elevation view thereof.

FIG. 4 is a a right side elevation view thereof.

FIG. 5 is a top plan view thereof.

FIG. 6 is a bottom plan view thereof.

FIG. 7 is a perspective view of a first alternate embodiment of the container of my design.

FIG. 8 is a left side elevation view thereof.

FIG. 9 is a a right side elevation view thereof.

FIG. 10 is a front elevation view thereof, the rear elevation view being a mirror image thereof.

FIG. 11 is a top plan view thereof; and,

FIG. 12 is a bottom plan view thereof.

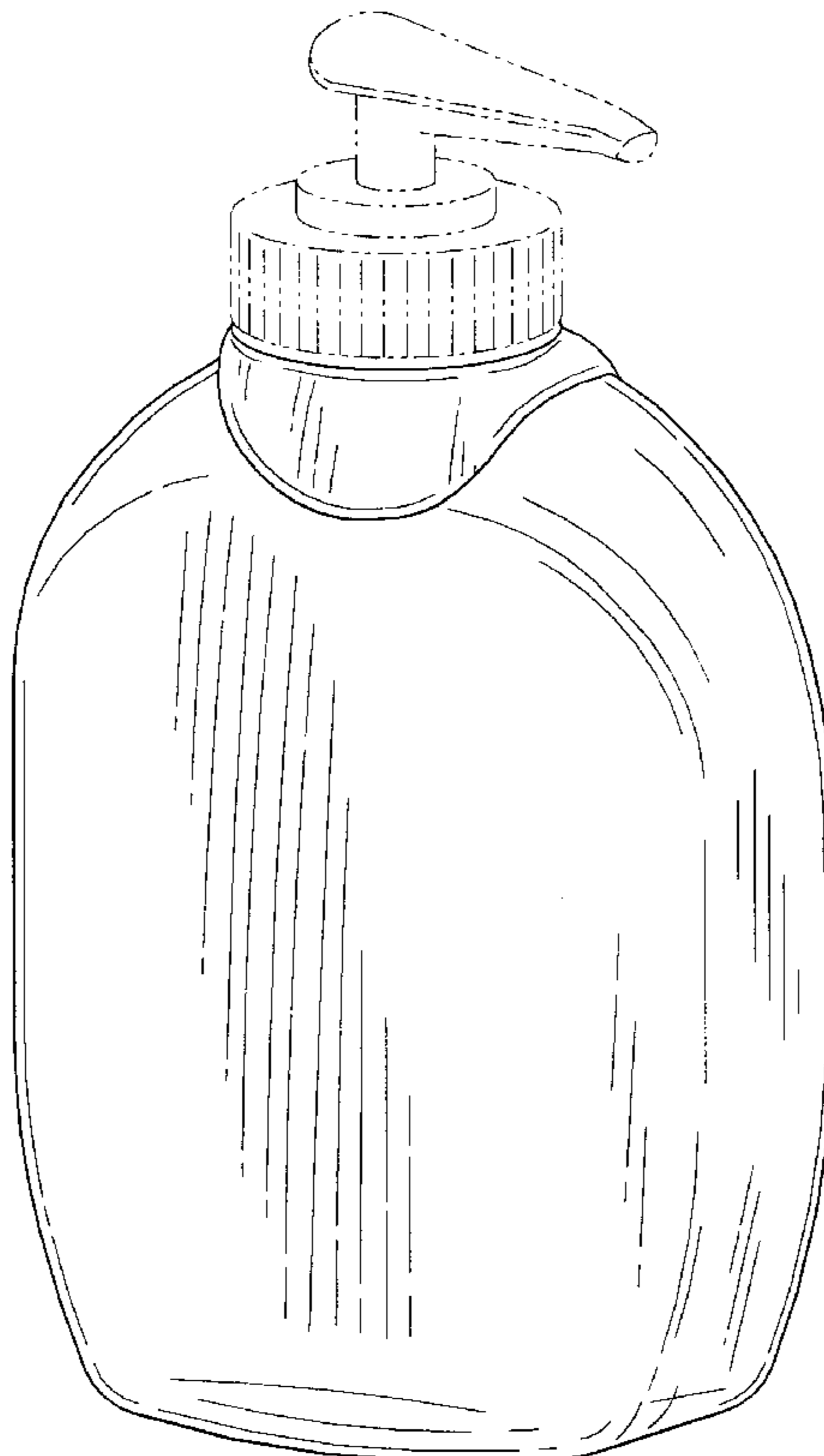
The broken line showing of a pump is for illustrative purposes only and forms no part of the claimed design.

(56) **References Cited**

U.S. PATENT DOCUMENTS

- D. 315,299 * 3/1991 Gerardiello D9/558
- D. 376,310 * 12/1996 Crawford D9/300
- D. 395,396 * 6/1998 Kuzma et al. D9/542
- D. 414,103 * 9/1999 Crawford D9/300
- D. 421,215 * 2/2000 Crawford D9/300
- D. 433,623 * 11/2000 Crawford D9/300

1 Claim, 7 Drawing Sheets



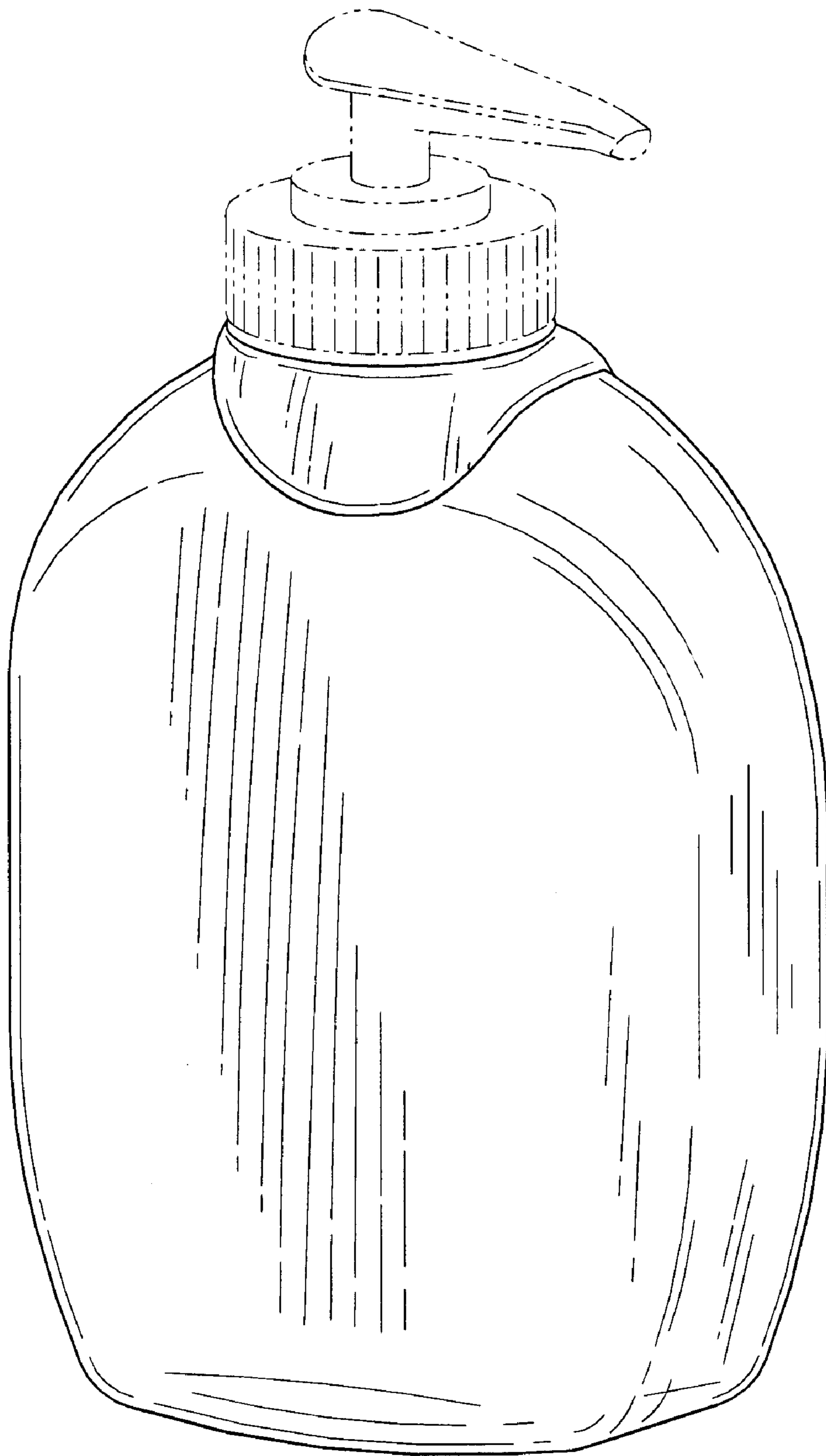


FIG. 1

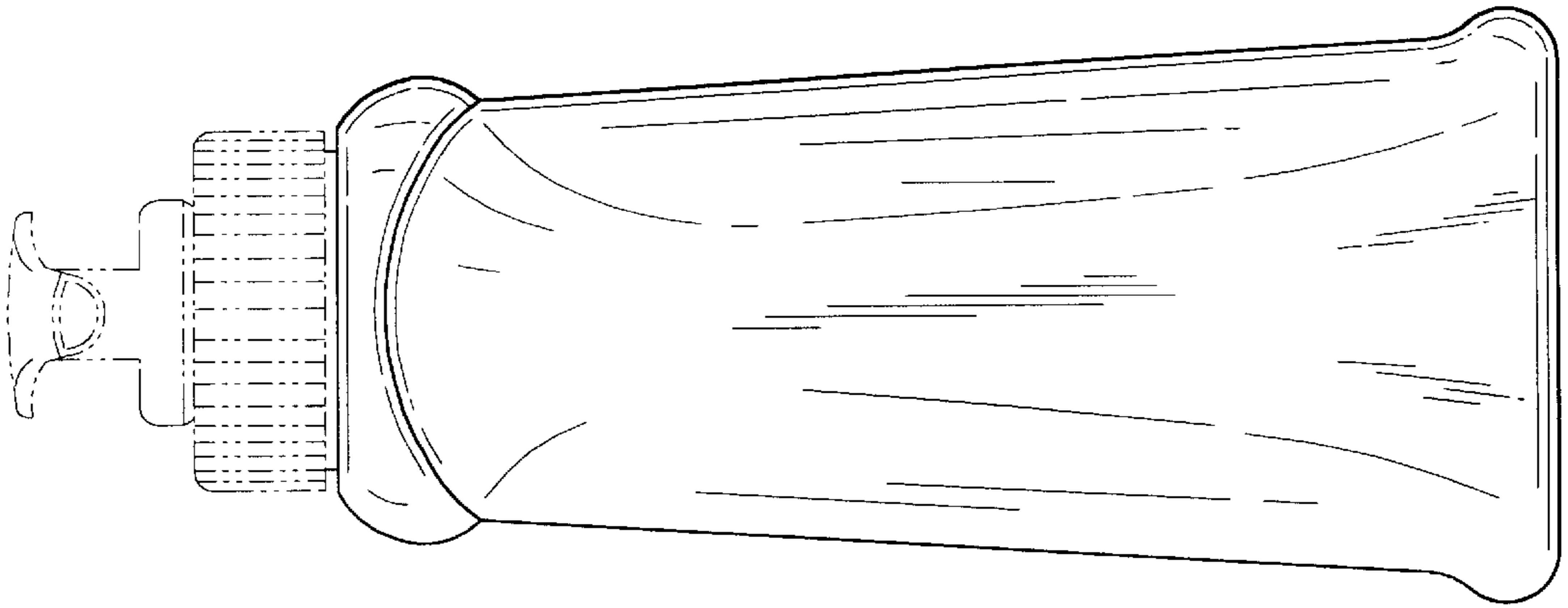


FIG. 4

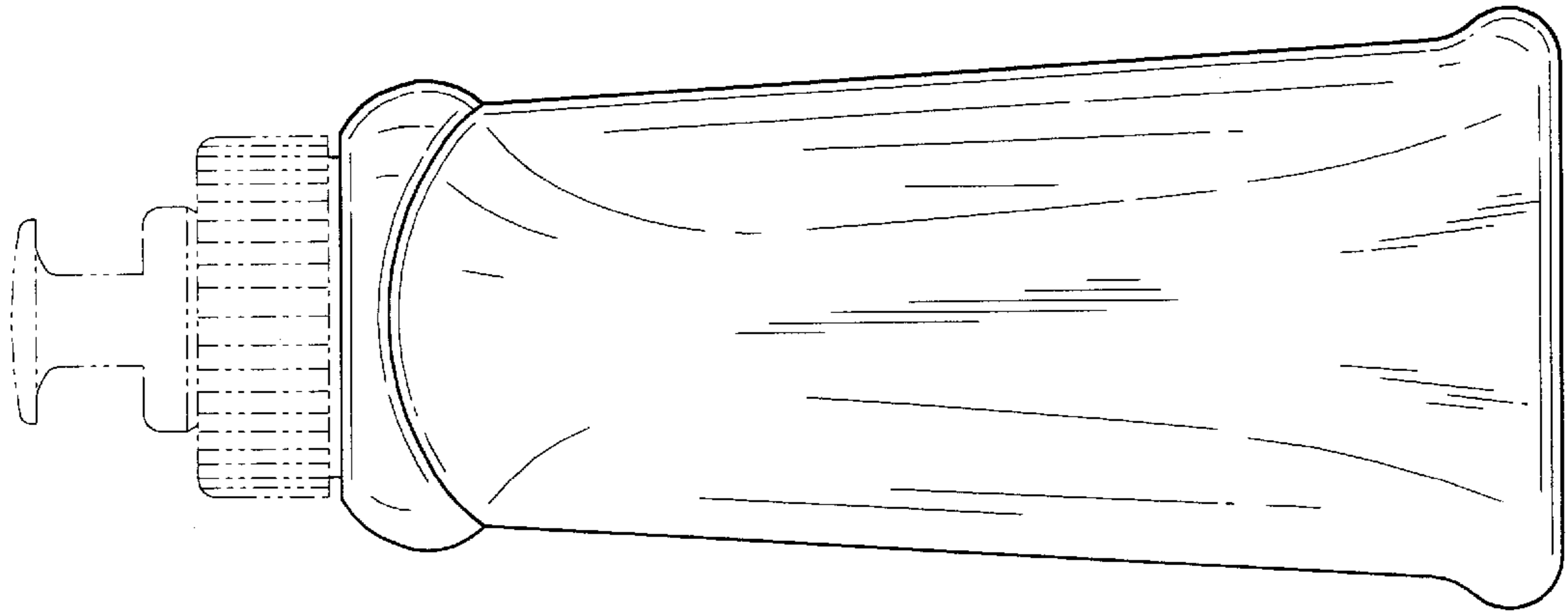


FIG. 3

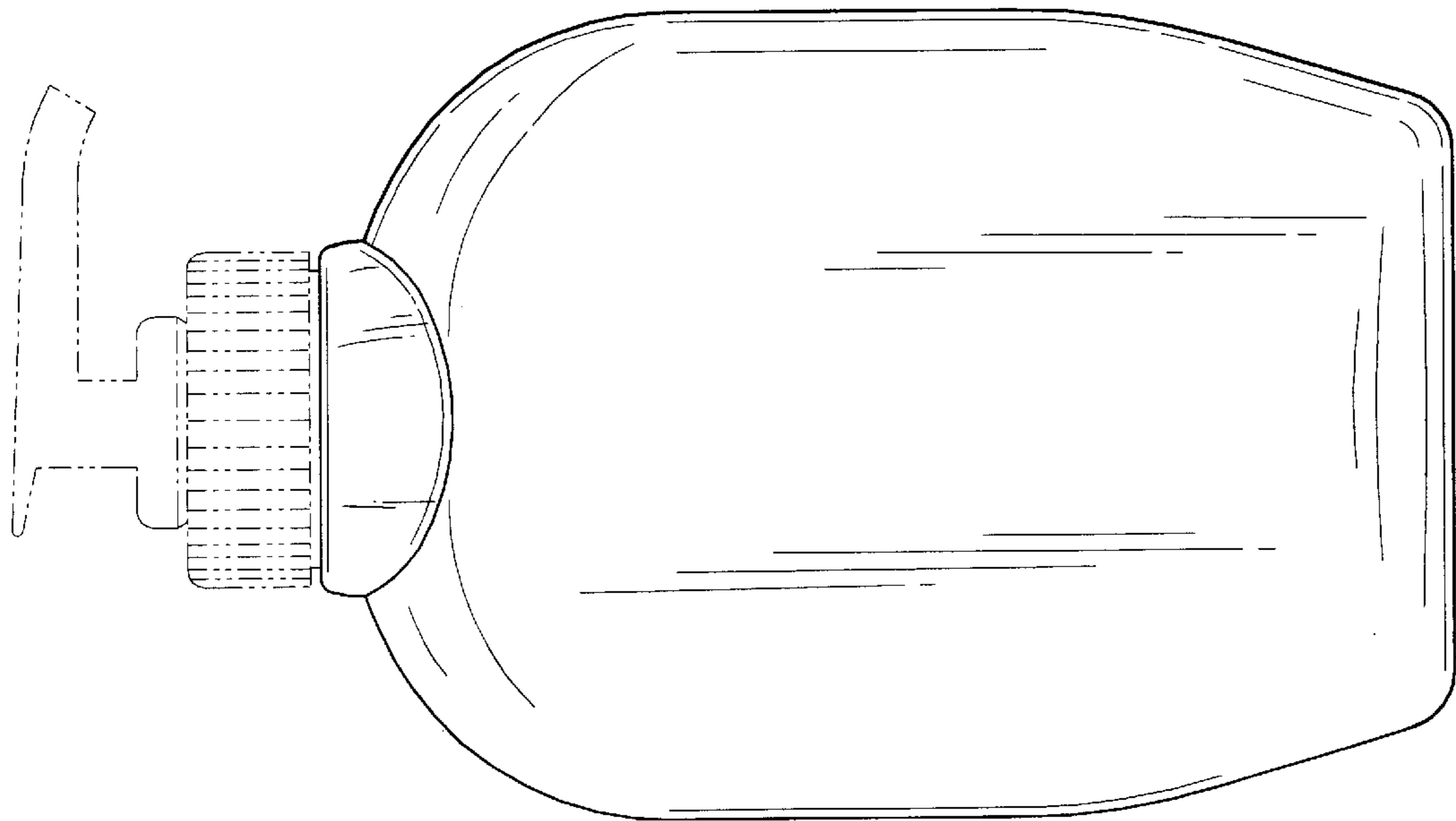


FIG. 2

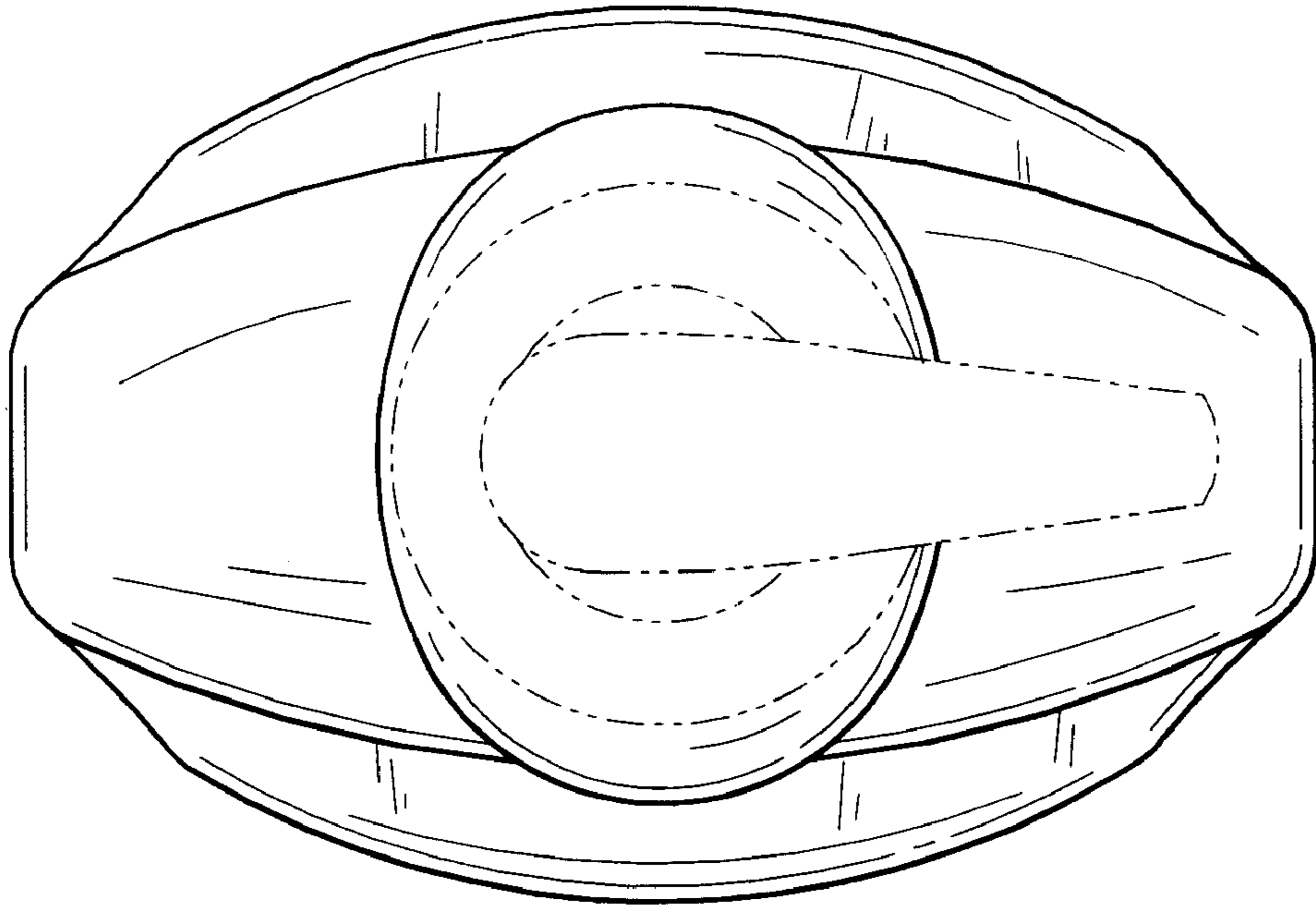


FIG. 5

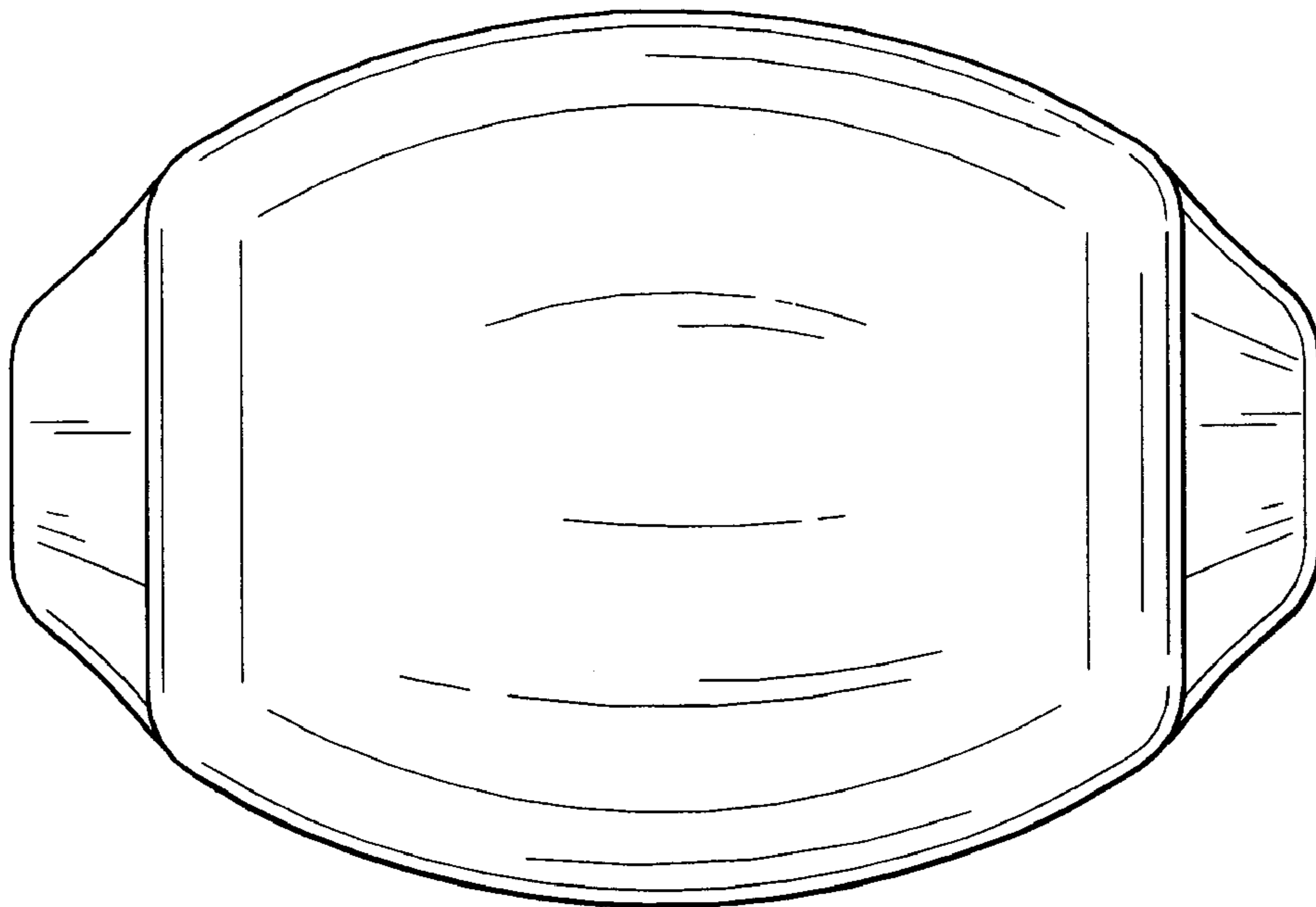


FIG. 6

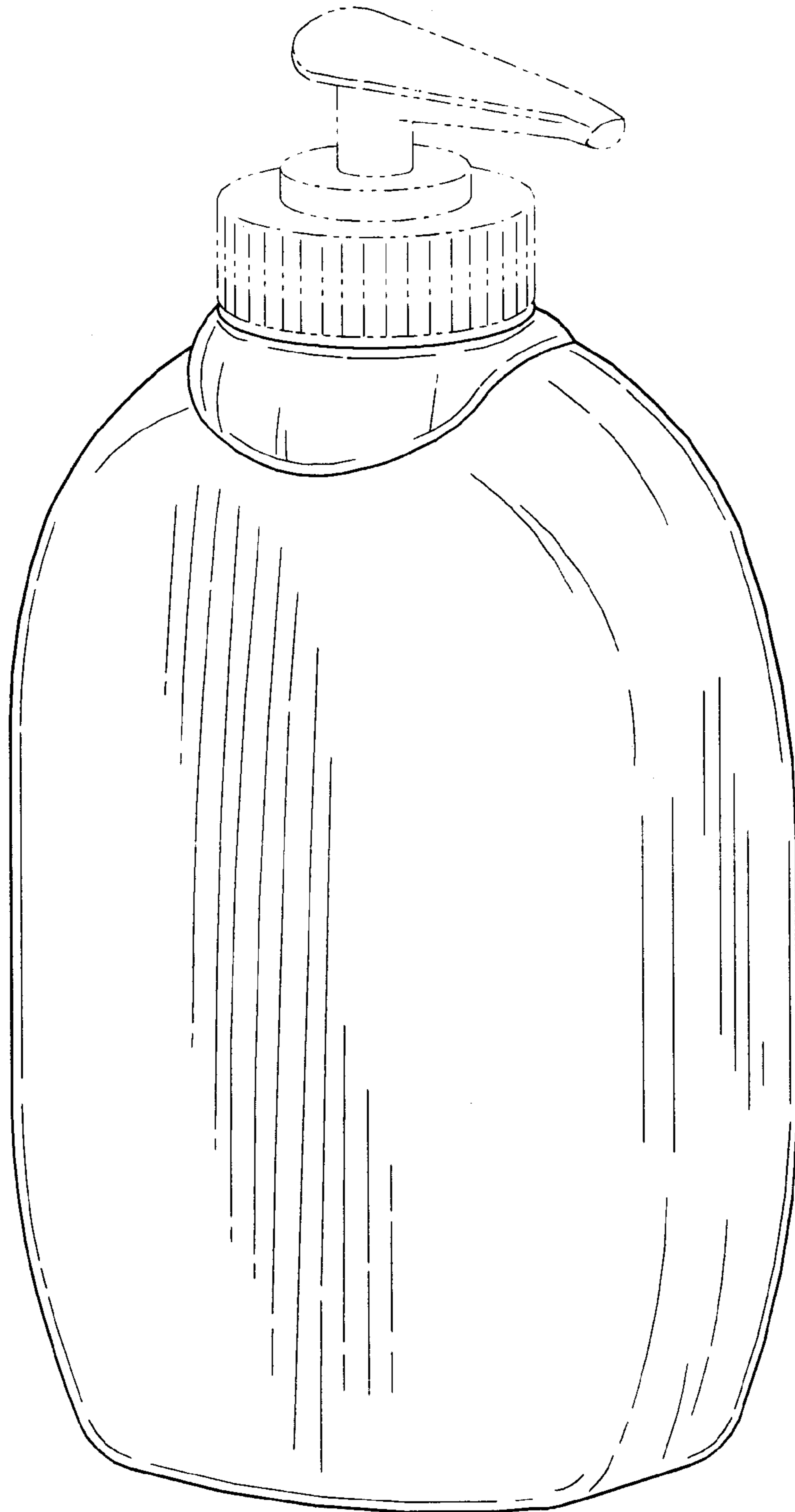


FIG. 7

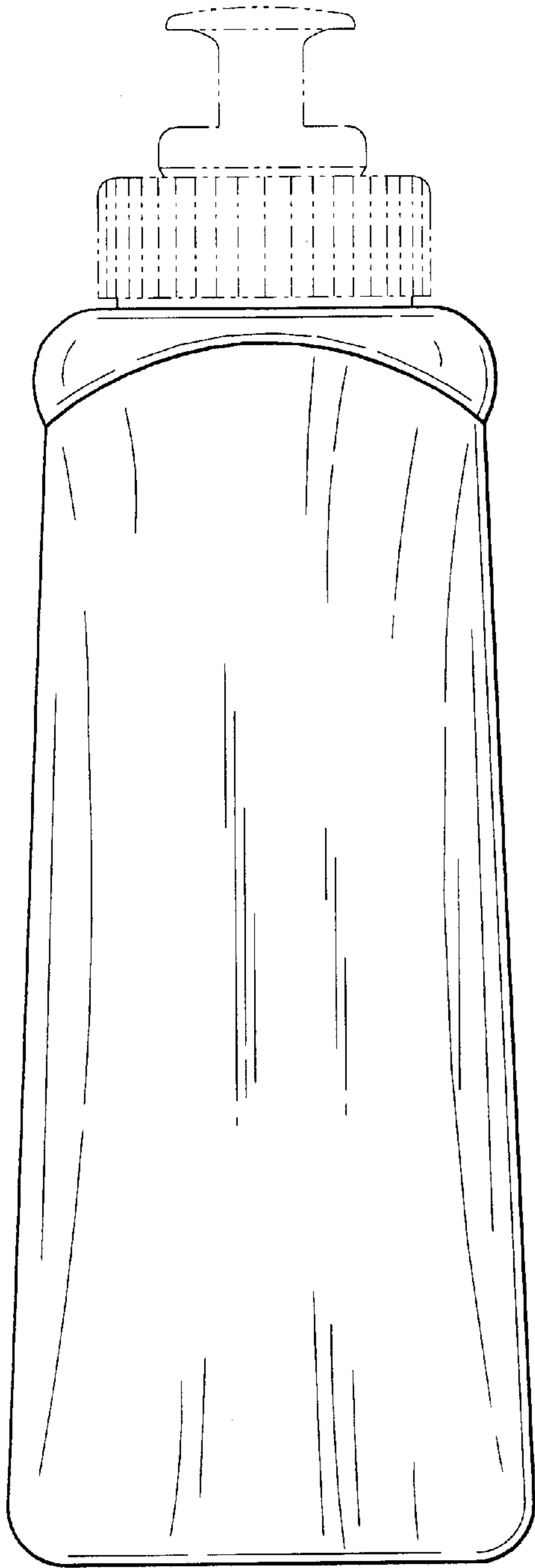


FIG. 8



FIG. 9

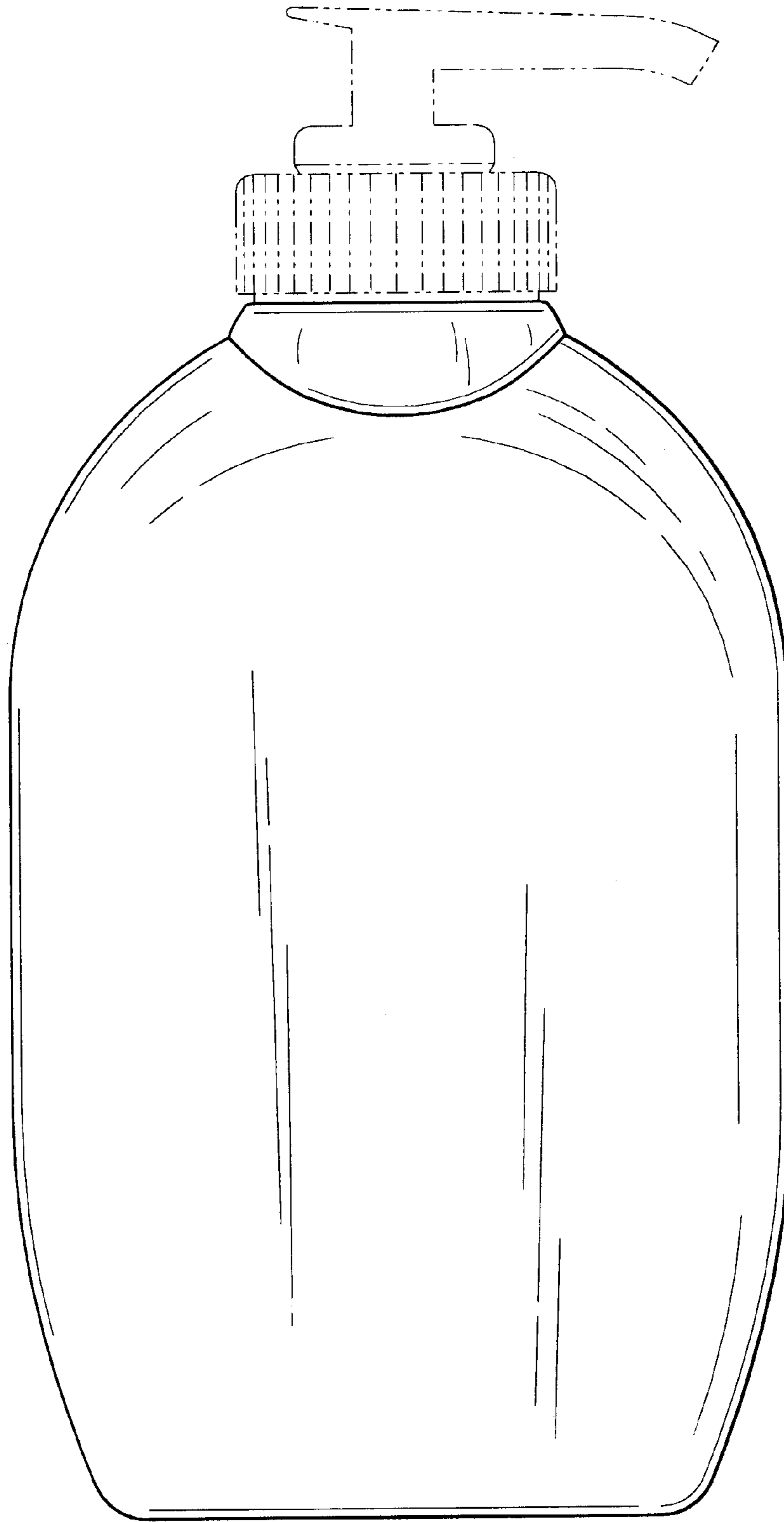


FIG. 10

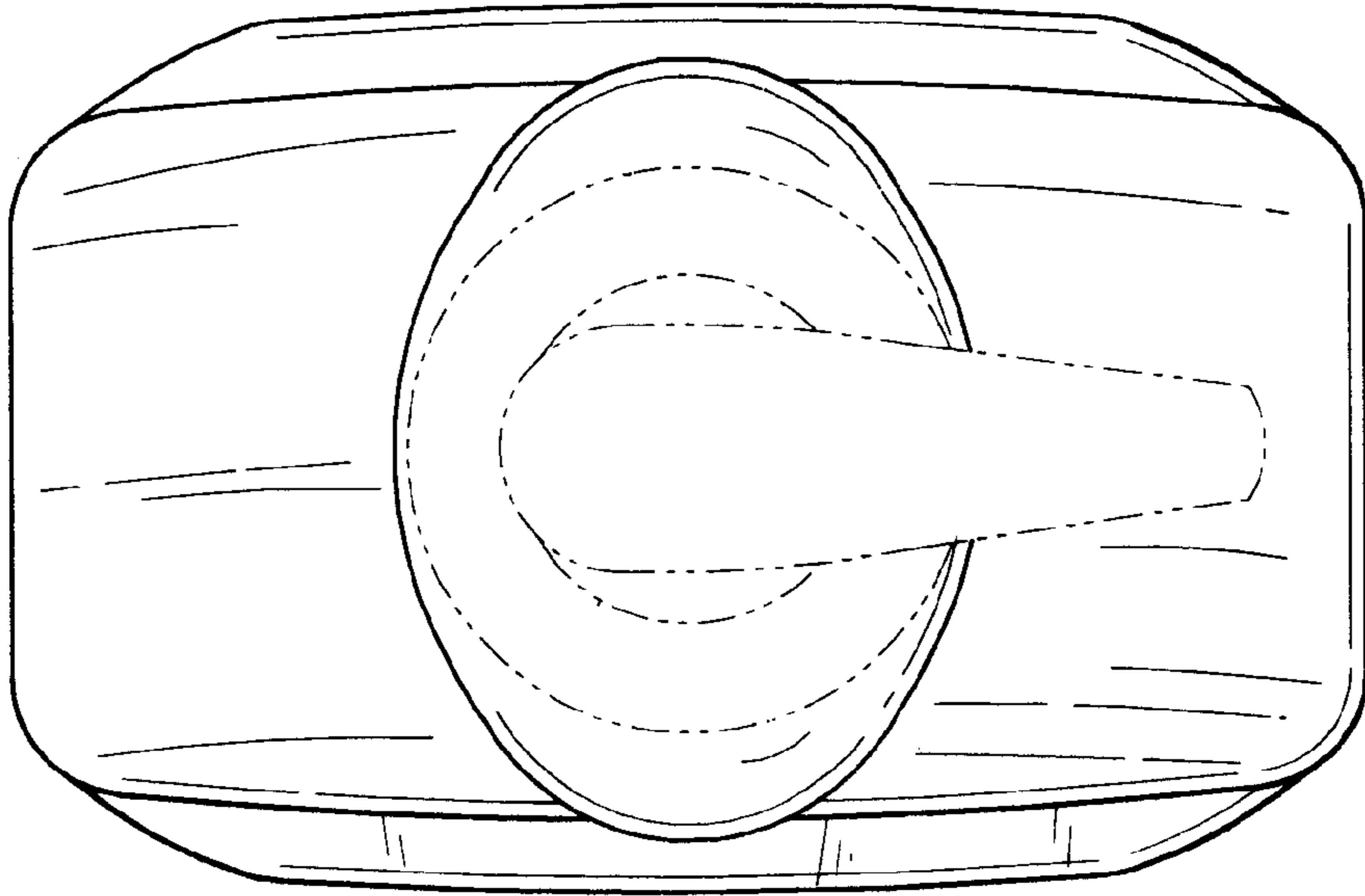


FIG. 11

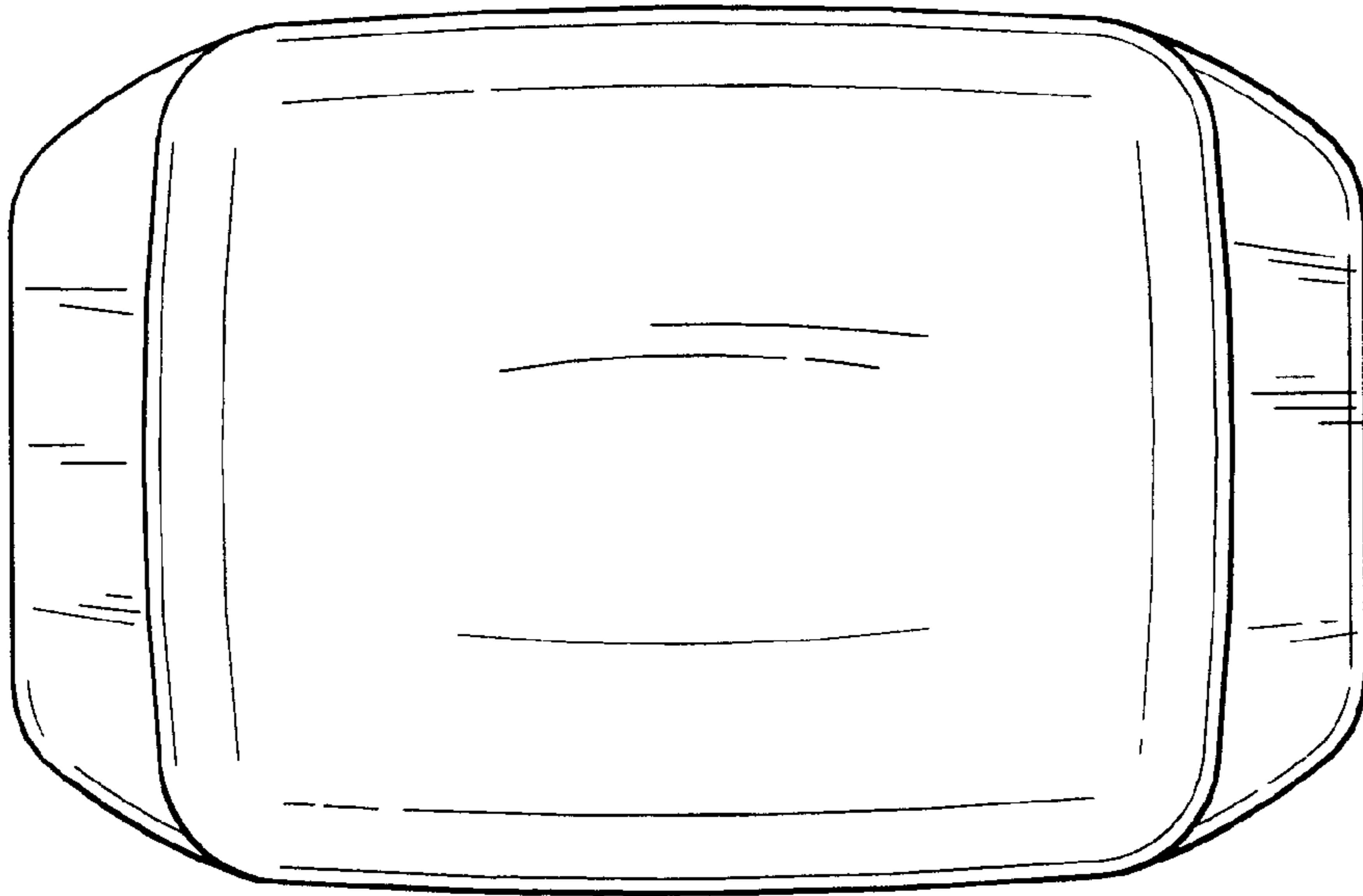


FIG. 12