



US00D451004B1

(12) **United States Design Patent**
Lewis

(10) **Patent No.:** **US D451,004 S**

(45) **Date of Patent:** **** Nov. 27, 2001**

(54) **BRACKET FOR A RACK MOUNTED DEVICE**

(75) Inventor: **Kevin William Lewis**, Winter Springs, FL (US)

(73) Assignee: **Adaptec, Inc.**, Milpitas, CA (US)

(**) Term: **14 Years**

(21) Appl. No.: **29/131,064**

(22) Filed: **Oct. 13, 2000**

(51) **LOC (7) Cl.** **08-05**

(52) **U.S. Cl.** **D8/380**

(58) **Field of Search** D8/354, 349, 366, D8/356, 373, 376, 377, 380; D25/123, 164, 119; 248/68.1, 314, 558, 242, 243, 309.1, 200, 300, 544, 71, 237; 174/135, 48, 57, 68.1, 73.1

(56) **References Cited**

U.S. PATENT DOCUMENTS

D. 310,164	*	8/1990	Keel	D8/380
D. 407,831	*	4/1999	Gifford	D25/119
D. 409,077	*	5/1999	Brooks	D8/354
670,001	*	3/1901	Morse	.	
4,258,967		3/1981	Boudreau	.	
4,487,461		12/1984	Tindall et al.	.	
4,501,455		2/1985	Groseck	.	
4,879,634		11/1989	Storrow et al.	.	

4,884,775	*	12/1989	Fischer, Jr.	248/237
5,010,444		4/1991	Storrow et al.	.	
5,452,951		9/1995	Peller	.	
5,460,441		10/1995	Hastings et al.	.	
5,791,498		8/1998	Mills	.	
5,850,925		12/1998	Gandre	.	
5,896,273		4/1999	Varghese et al.	.	
5,945,633		8/1999	Ott et al.	.	
5,971,506		10/1999	Dubin	.	
6,021,047		2/2000	Lopez et al.	.	

* cited by examiner

Primary Examiner—Pamela Burgess

(74) *Attorney, Agent, or Firm*—David G. Maire; Beusse Brownlee Bowdoin & Wolter PA

(57) **CLAIM**

The ornamental design for a bracket for a rack mounted device, as shown and described.

DESCRIPTION

FIG. 1 is a bracket for a rack mounted device showing my new design;

FIG. 2 is a front elevation view thereof;

FIG. 3 is a rear elevation view thereof;

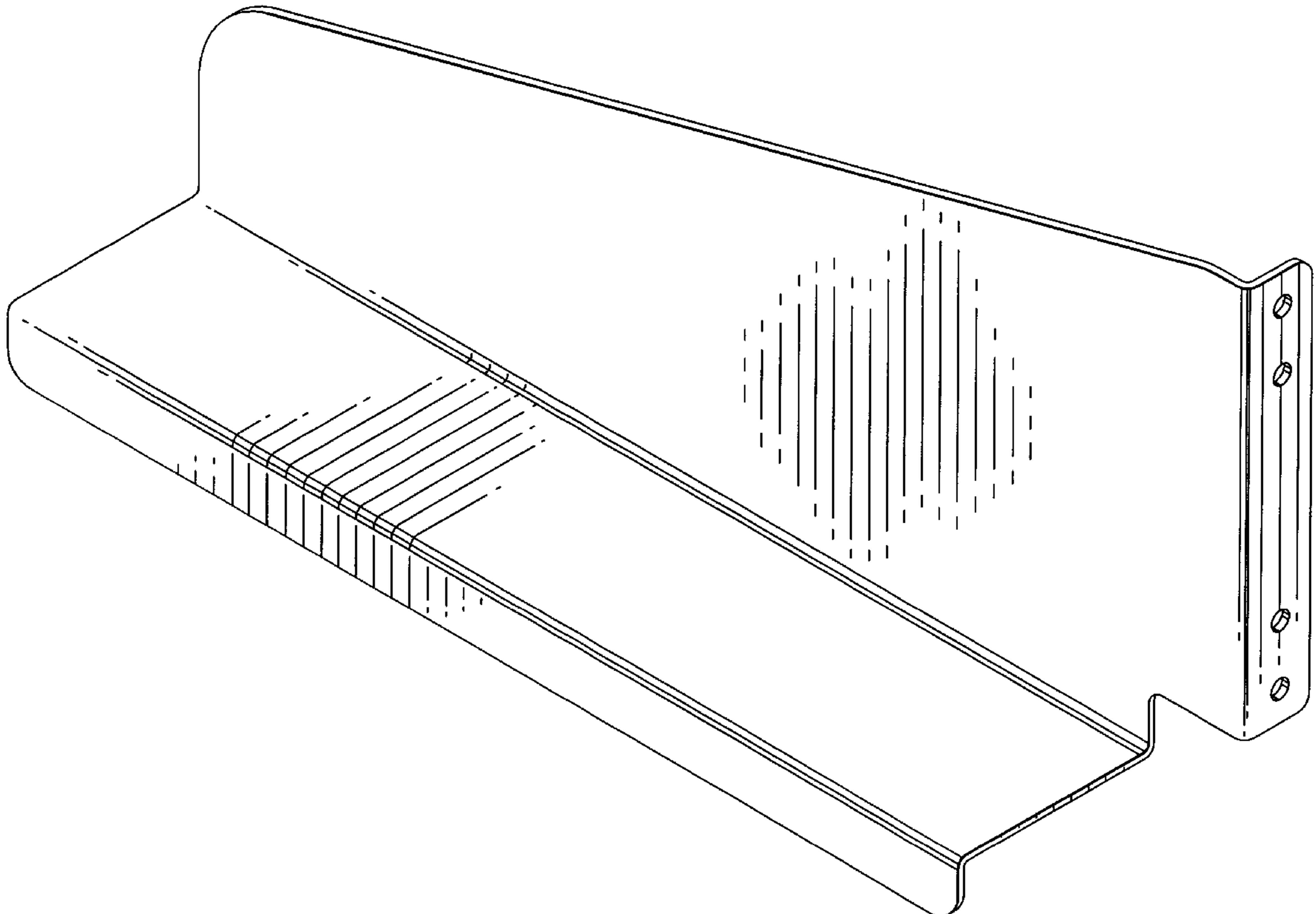
FIG. 4 is a top plan view thereof;

FIG. 5 is a bottom plan view thereof;

FIG. 6 is a left side elevation view thereof; and,

FIG. 7 is a right side elevation view thereof.

1 Claim, 6 Drawing Sheets



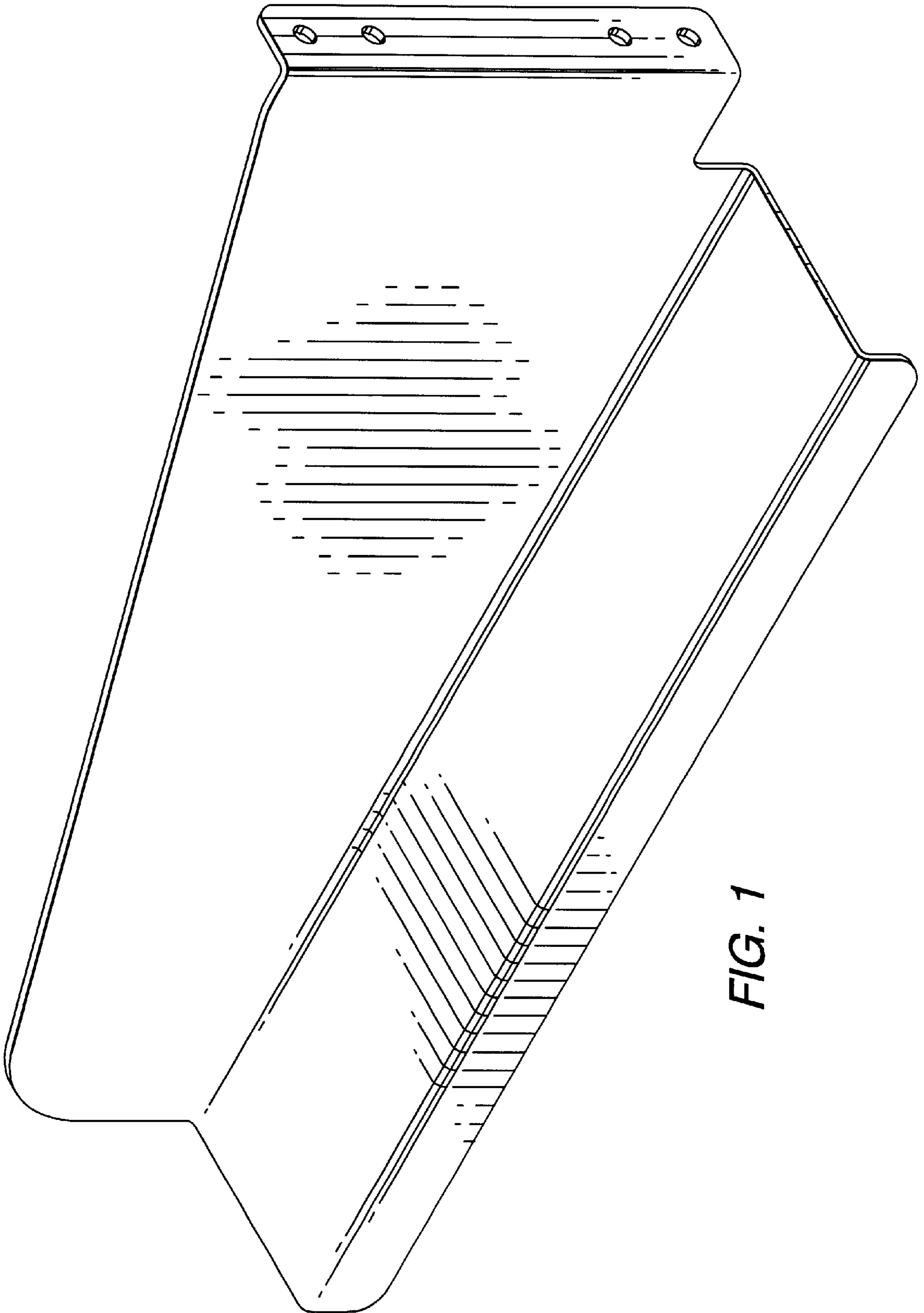


FIG. 1

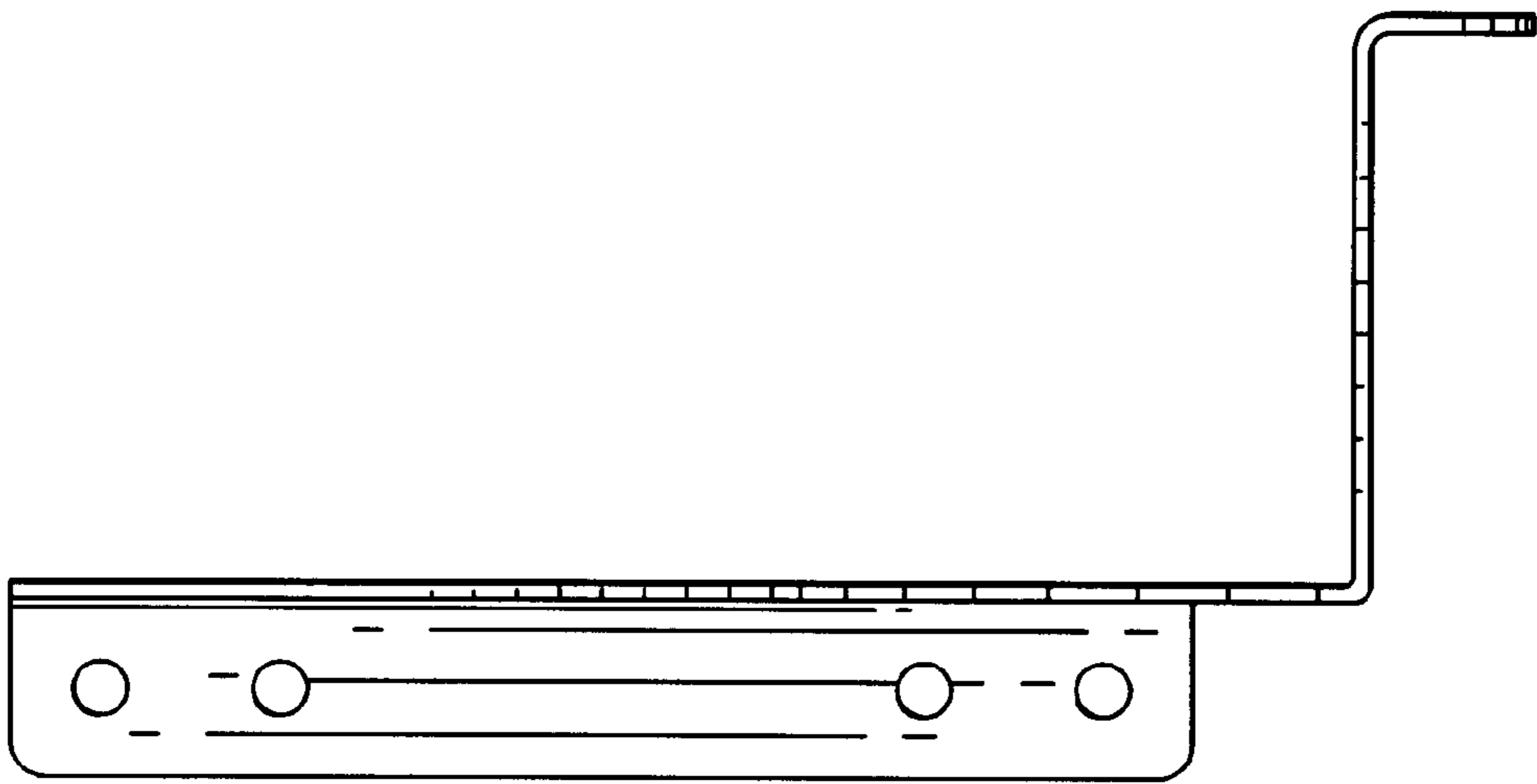


FIG. 3

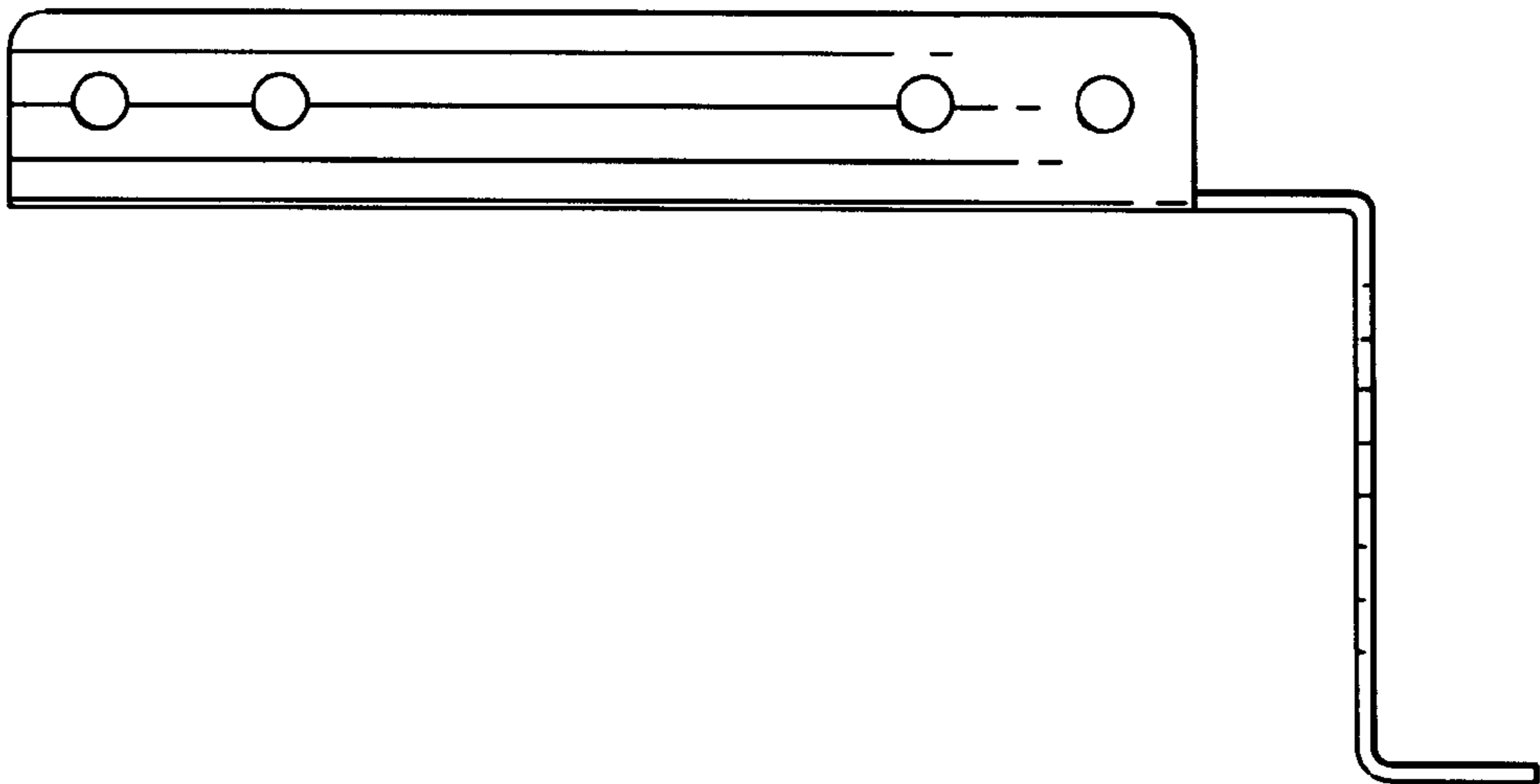


FIG. 2

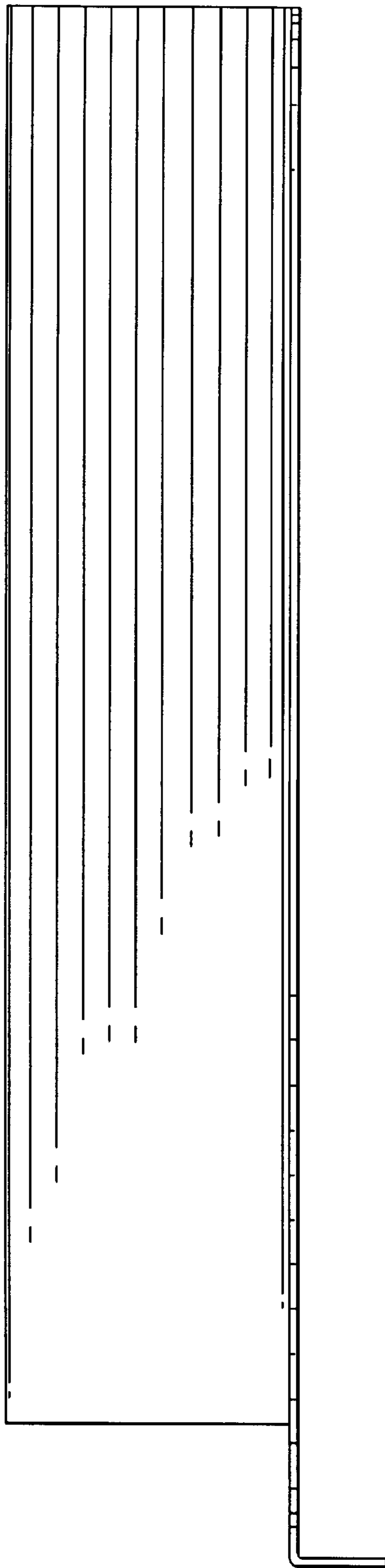


FIG. 4

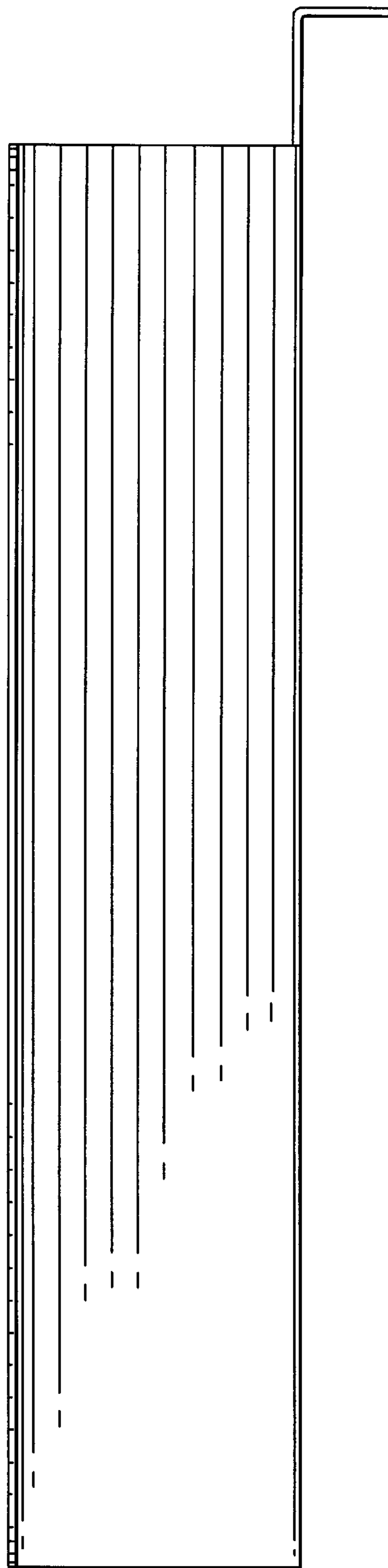


FIG. 5

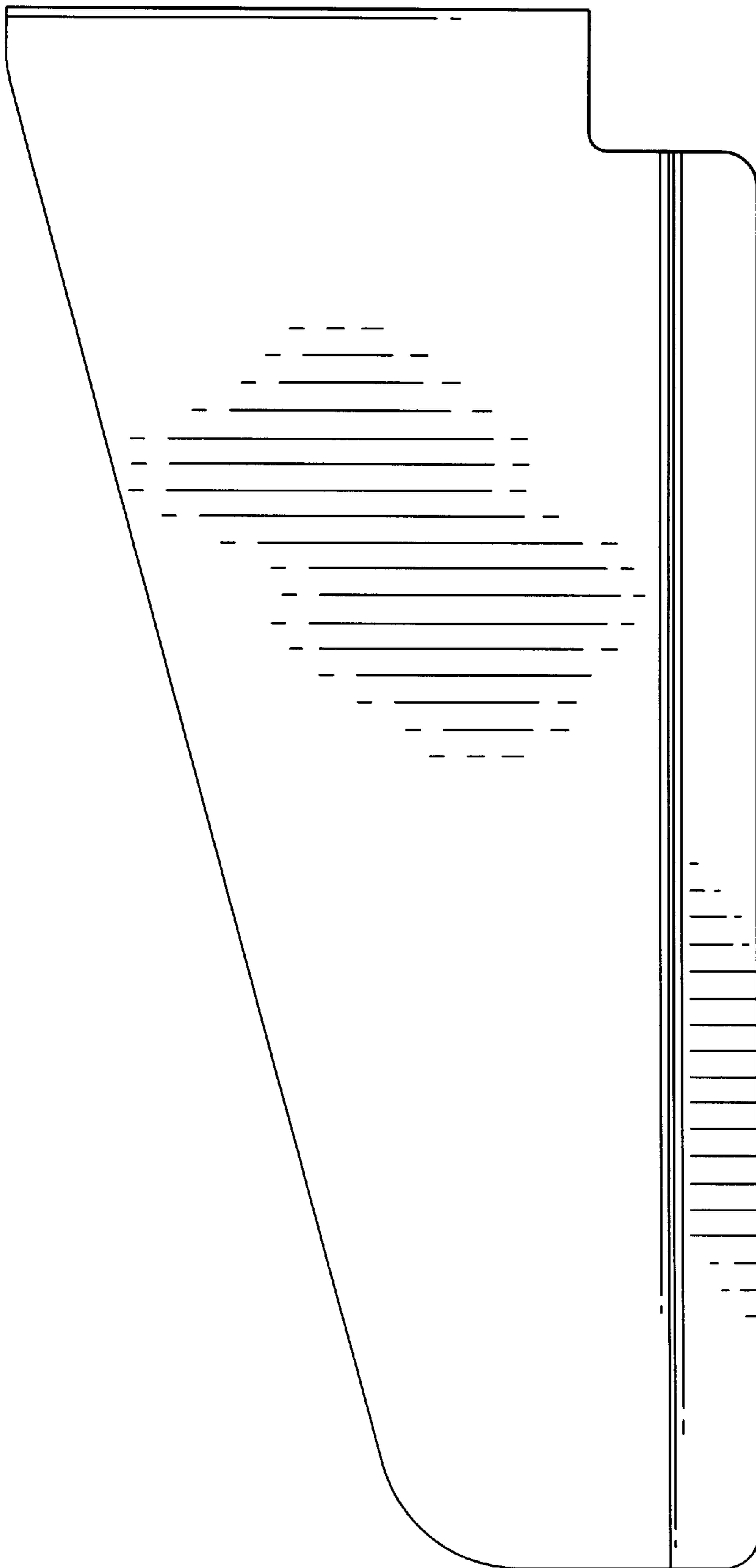


FIG. 6

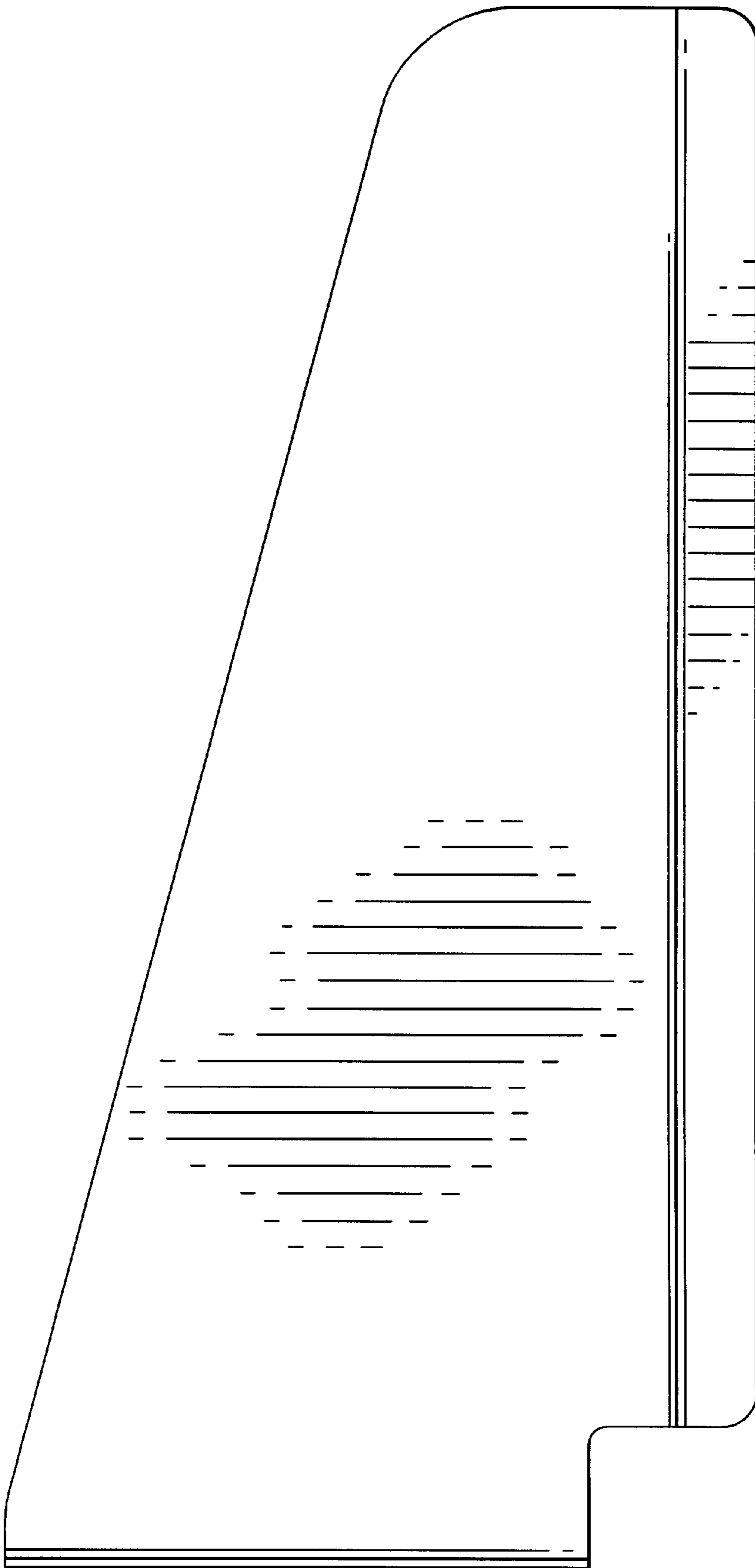


FIG. 7