



US00D451003B1

(12) **United States Design Patent**
Proell-Immekus

(10) **Patent No.:** **US D451,003 S**

(45) **Date of Patent:** **** Nov. 27, 2001**

(54) **DRAPERY ROD ADAPTER**

(76) Inventor: **Pamela J. Proell-Immekus**, N.38
W.27091 Parkside Rd., Pewaukee, WI
(US) 53072

(**) Term: **14 Years**

(21) Appl. No.: **29/083,106**

(22) Filed: **Nov. 7, 1997**

(51) **LOC (7) Cl.** **08-05**

(52) **U.S. Cl.** **D8/376**

(58) **Field of Search** D8/349, 354, 376-377;
D13/153; 174/117 F, 117 FF, 110 R; 160/330,
270, 257, 261, 197, 181

(56) **References Cited**

U.S. PATENT DOCUMENTS

127,609	*	6/1872	Keene	160/330
D. 224,786	*	9/1972	Shlesinger, Jr.	D13/153
840,282	*	1/1907	Adamowicz	160/330
2,109,517	*	3/1938	Xenis	D8/395 X
2,778,030	*	1/1957	Goche	160/330 X

* cited by examiner

Primary Examiner—Holly Baynham

(74) *Attorney, Agent, or Firm*—Andrus, Scales, Starke & Sawall, LLP

(57) **CLAIM**

The ornamental design for a drapery rod adapter, as shown.

DESCRIPTION

FIG. 1 is a cross-sectional view of the drapery rod adapter cut along line 1—1 of FIG. 4, it being partially shown for ease of illustration;

FIG. 2 is a reduced scale perspective view thereof;

FIG. 3 is an enlarged end view of the drapery rod adapter;

FIG. 4 is a reduced scale front view of the drapery rod adapter;

FIG. 5 is a reduced scale top view of the drapery rod adapter; FIG. 6 is a reduced scale back view of the drapery rod adapter; and,

FIG. 7 is a reduced scale bottom view of the drapery rod adapter.

The broken line showing of an internal structure is for illustrative purposes only and forms no part of the claimed design.

1 Claim, 2 Drawing Sheets

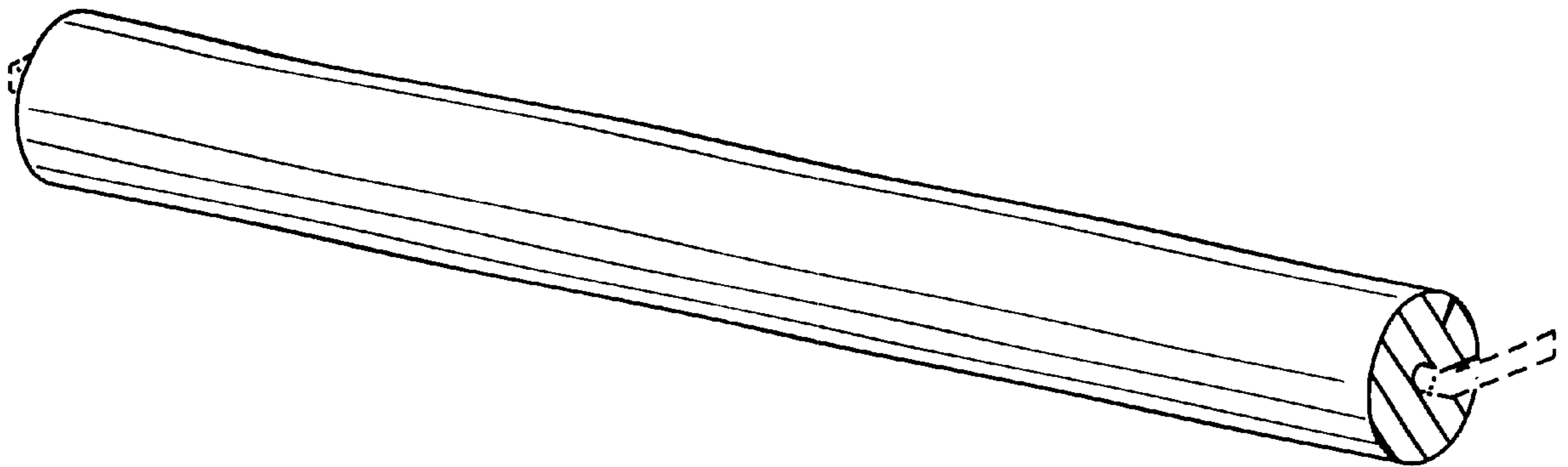


FIG. 1

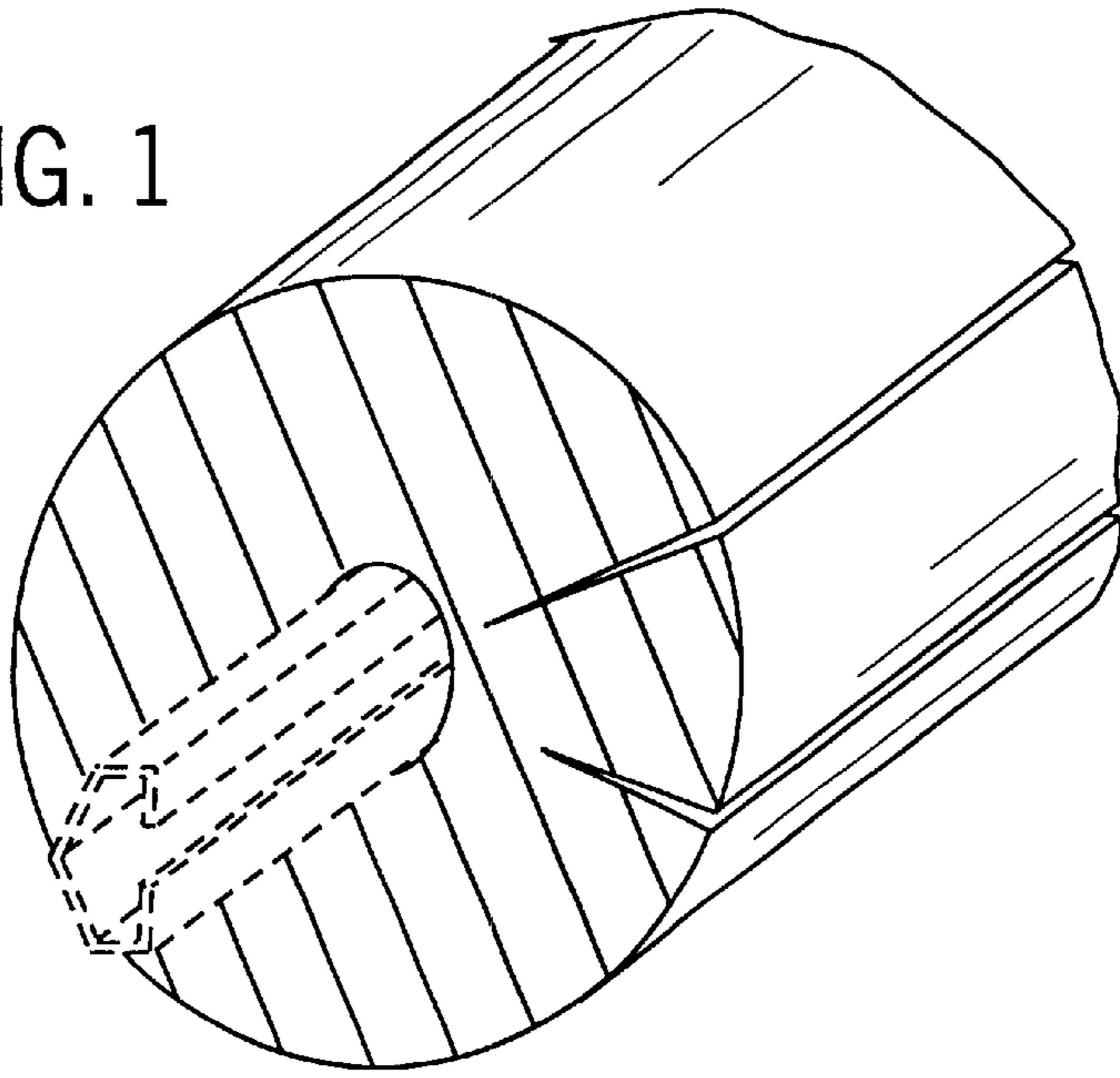


FIG. 2

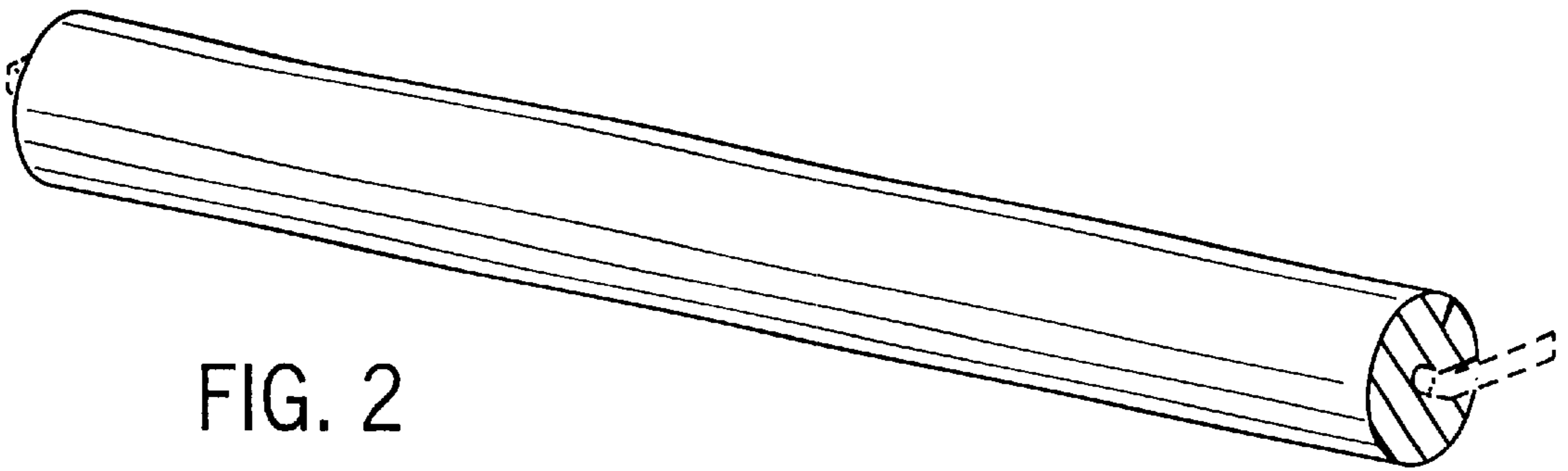
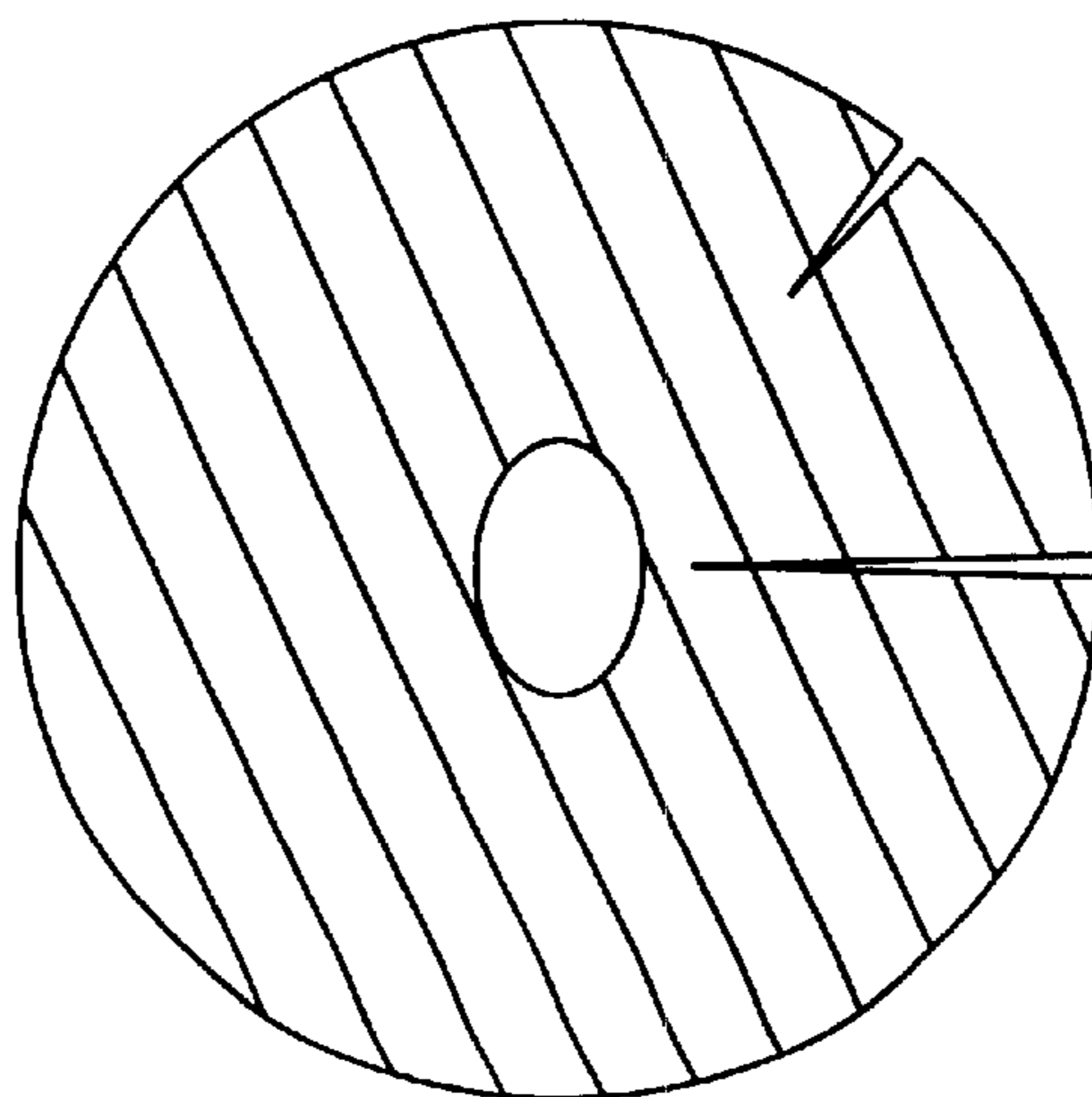
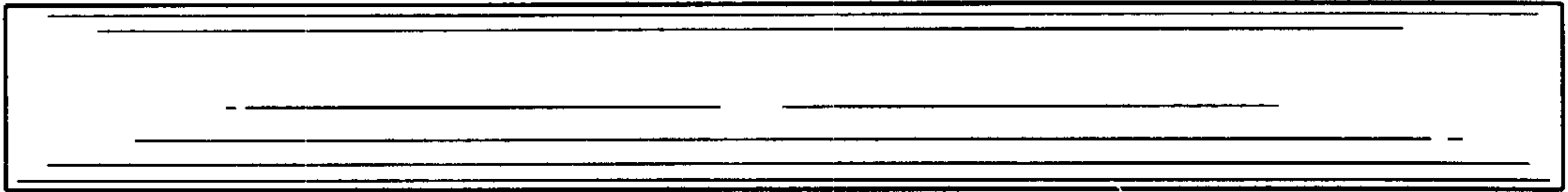


FIG. 3



← 1



← 1
FIG. 4

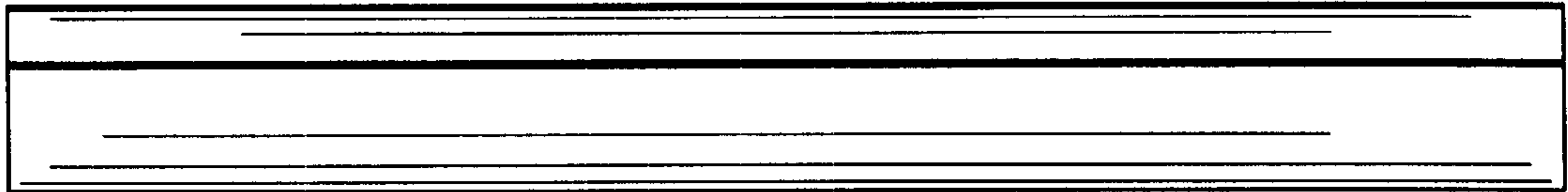


FIG. 5

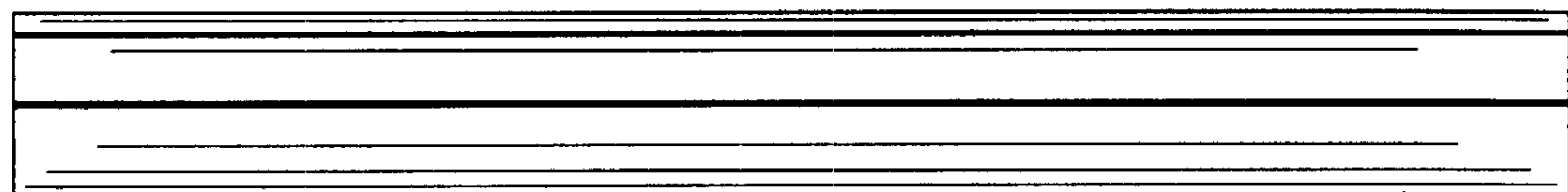


FIG. 6

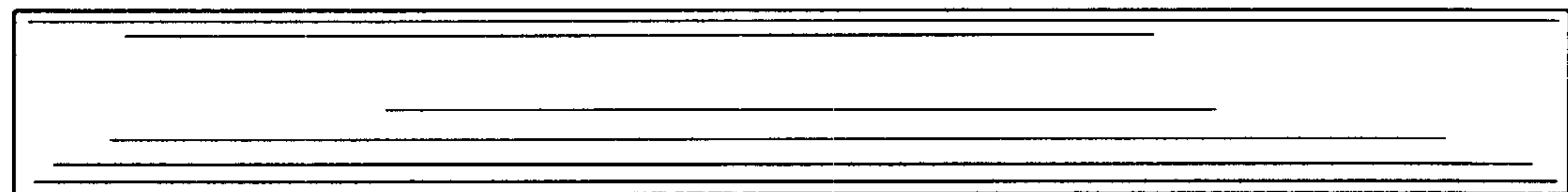


FIG. 7