



US00D451002B1

(12) **United States Design Patent**  
**Lai**

(10) **Patent No.:** **US D451,002 S**

(45) **Date of Patent:** **\*\* Nov. 27, 2001**

(54) **PUSHBUTTON COMBINATION PADLOCK AND KEY SYSTEM**

**DESCRIPTION**

(75) Inventor: **Eric Lai**, Sheung Shui (HK)

FIG. 1 is a perspective view of the pushbutton combination padlock and key system showing my new design;

(73) Assignee: **The Sun Lock Company Ltd.** (HK)

FIG. 2 is a front elevational view thereof, the opposite side view being a mirror image thereof with the exception of the numbers on the dials;

(\*\*) Term: **14 Years**

FIG. 3 is a side elevational view thereof, looking from the right side of FIG. 2;

(21) Appl. No.: **29/119,636**

FIG. 4 is a side elevational view thereof; looking from the left side of FIG. 2;

(22) Filed: **Mar. 3, 2000**

(51) **LOC (7) Cl.** ..... **08-07**

FIG. 5 is a top plan view thereof;

(52) **U.S. Cl.** ..... **D8/334**

FIG. 6 is a bottom plan view thereof;

(58) **Field of Search** ..... D8/333, 334; 70/20,  
70/21, 22, 24-29, 30, 49, 50, 52

FIG. 7 is a perspective view of an alternate embodiment of the pushbutton combination padlock and key system showing my new design;

(56) **References Cited**

**U.S. PATENT DOCUMENTS**

972,171	*	10/1910	Dupont	70/21
4,829,794	*	5/1989	Crown	70/25
6,035,672	*	3/2000	Lai	70/25

FIG. 8 is a front elevational view thereof, the opposite side view being a mirror image thereof with the exception of the numbers on the dials;

\* cited by examiner

FIG. 9 is a side elevational view thereof, looking from the right side of FIG. 2;

*Primary Examiner*—Susan J. Lucas

*Assistant Examiner*—Jennifer Rivard

(74) *Attorney, Agent, or Firm*—Melvin I. Stoltz

FIG. 10 is a side elevational view thereof; looking from the left side of FIG. 8;

FIG. 11 is a top plan view thereof; and,

FIG. 12 is a bottom plan view thereof.

(57) **CLAIM**

The ornamental design for a pushbutton combination padlock and key system, as shown and described.

**1 Claim, 2 Drawing Sheets**

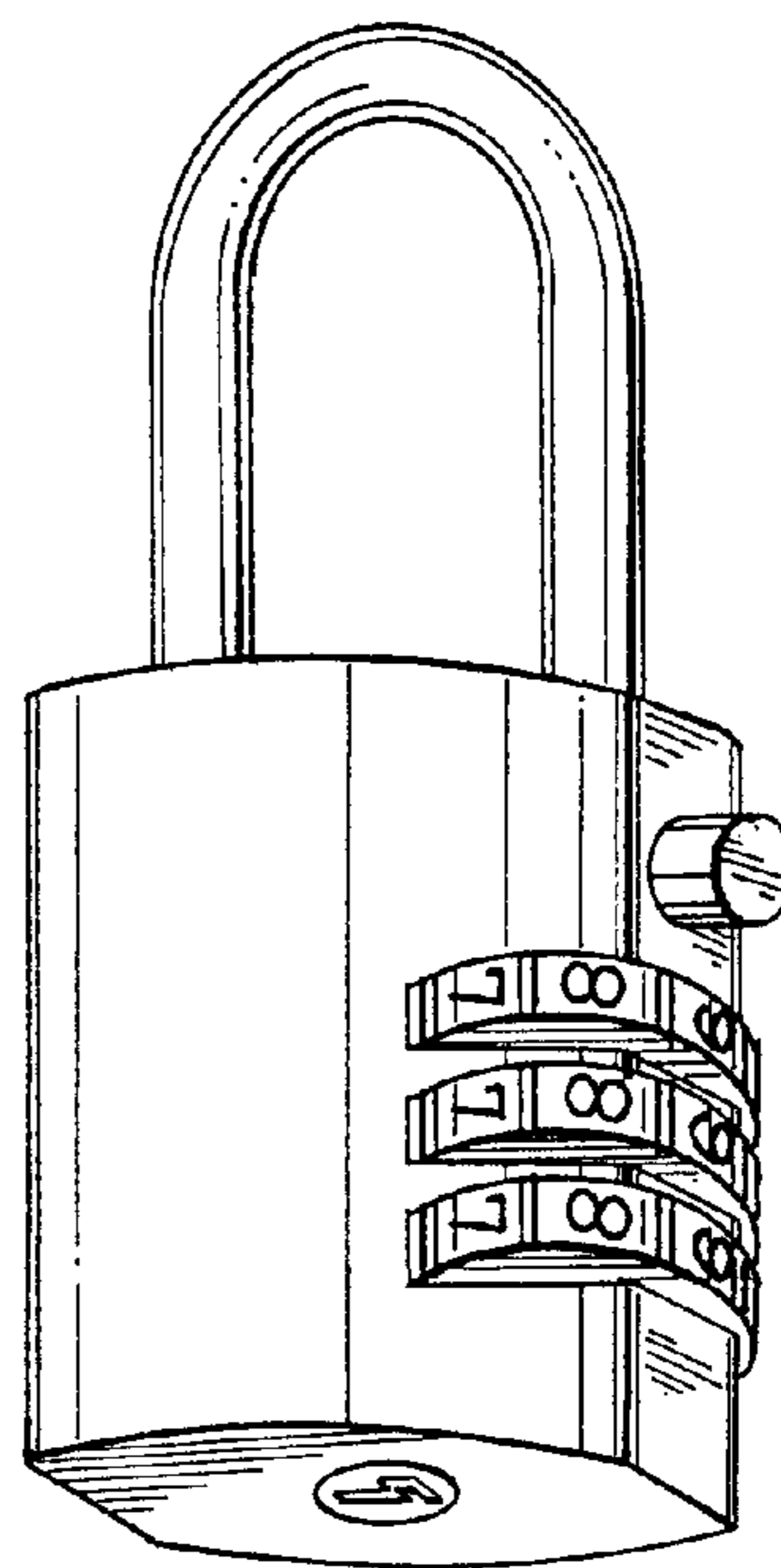
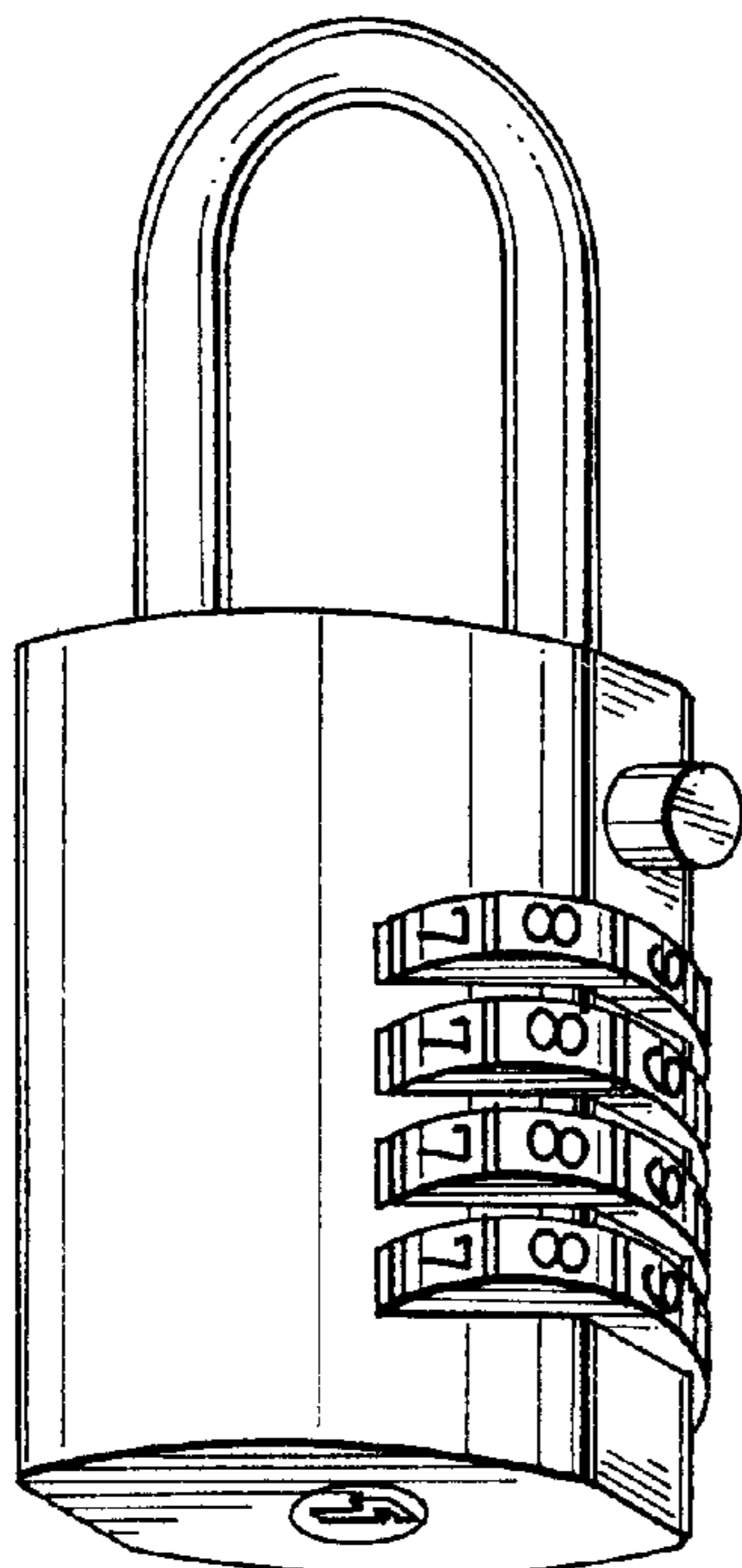


FIG. 1

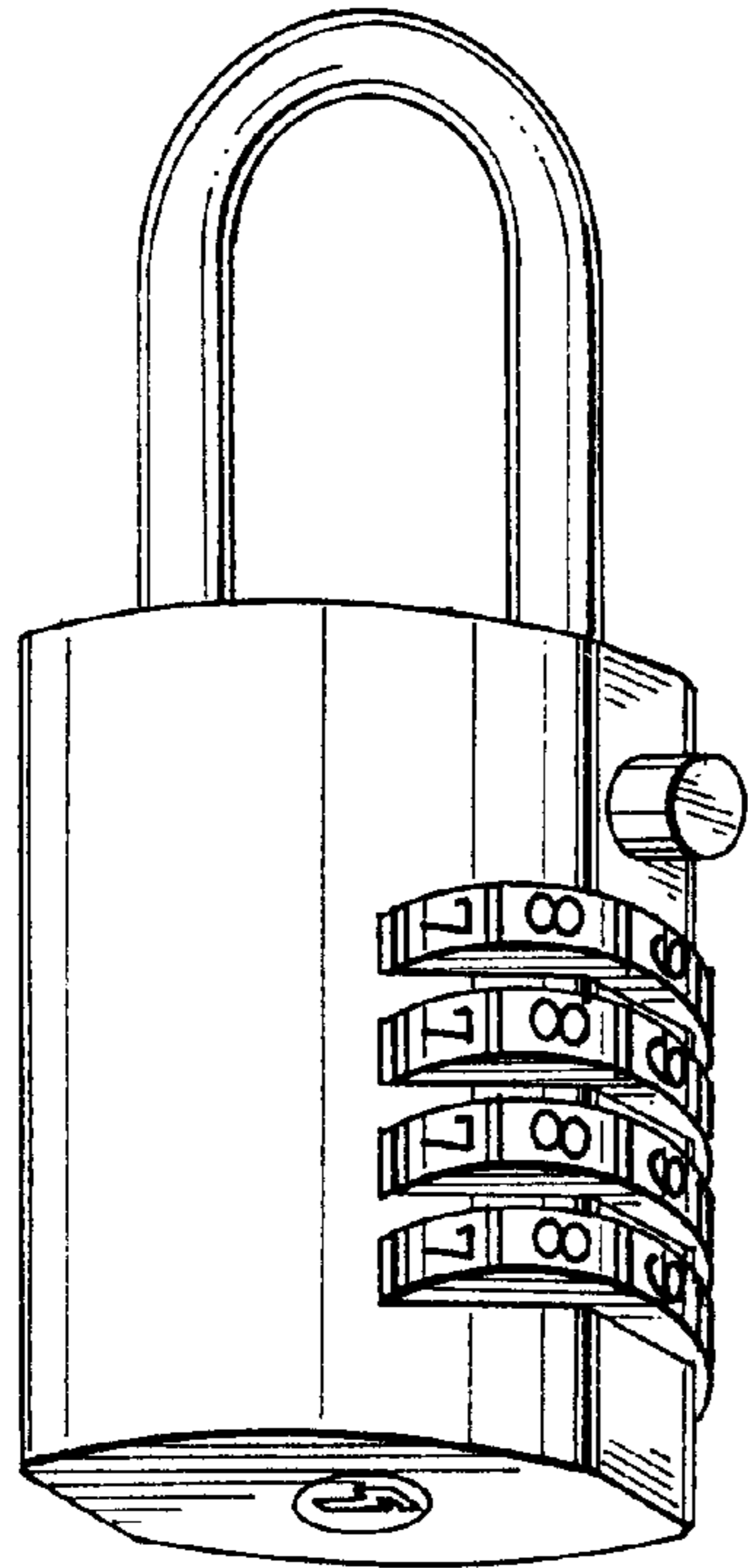


FIG. 2

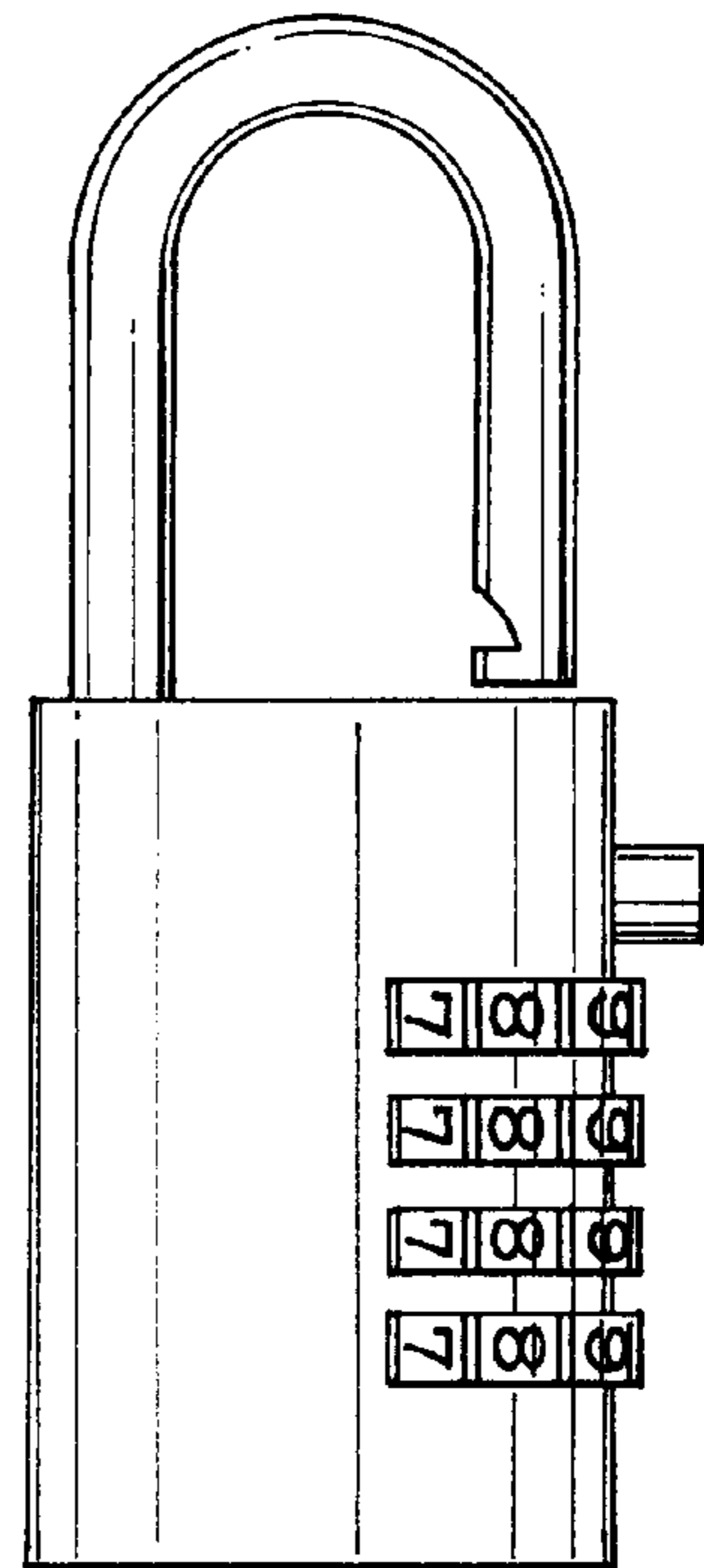


FIG. 3

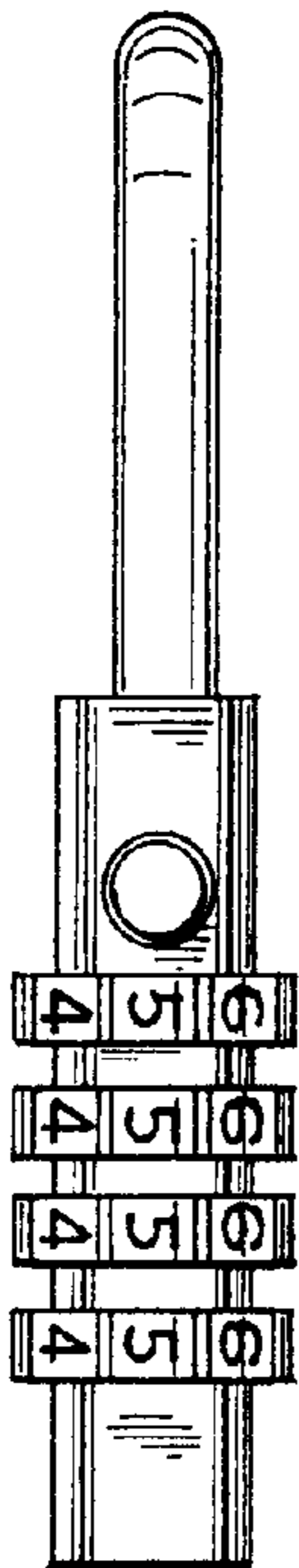


FIG. 4

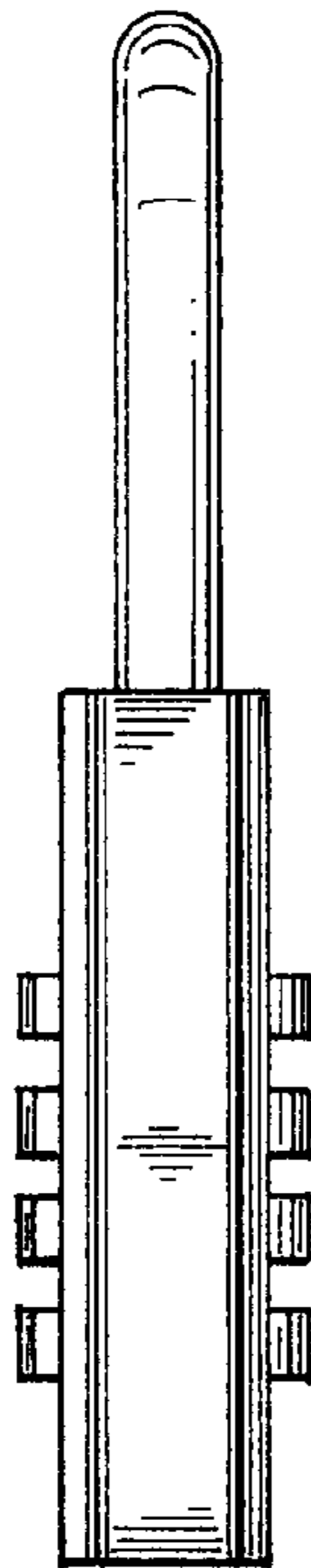


FIG. 5

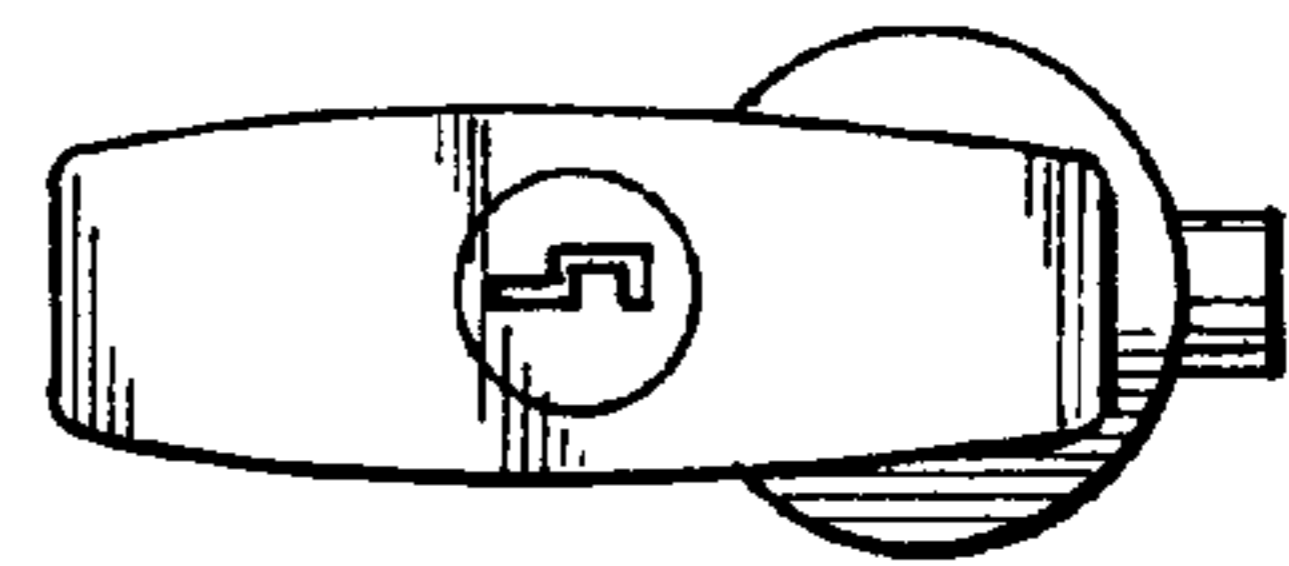


FIG. 6

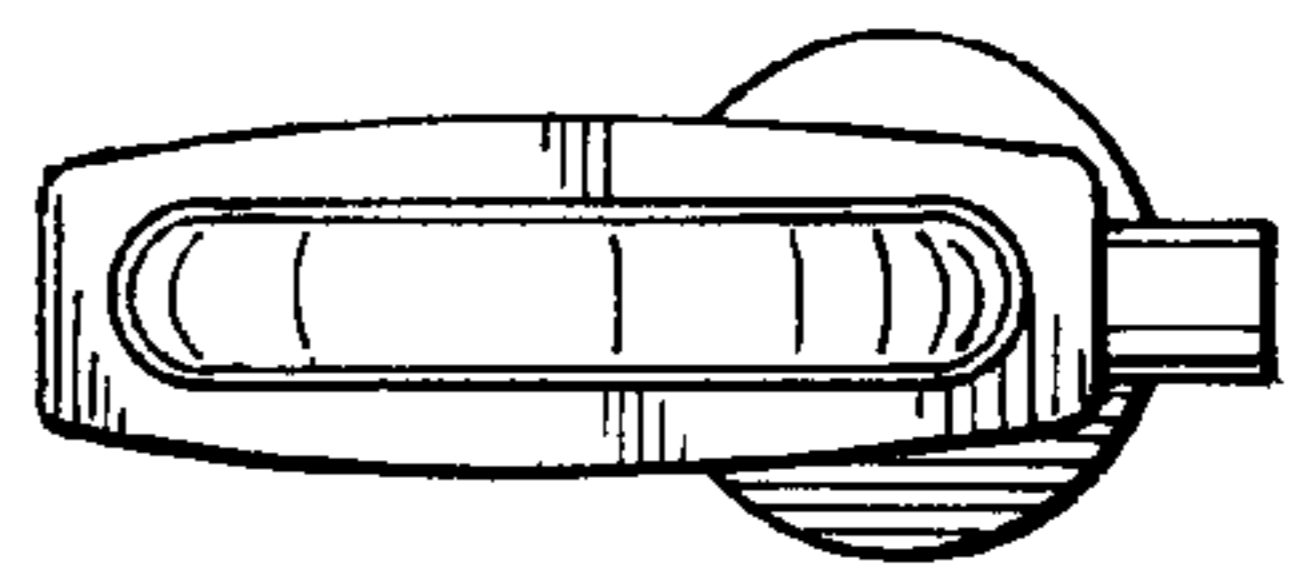


FIG. 7

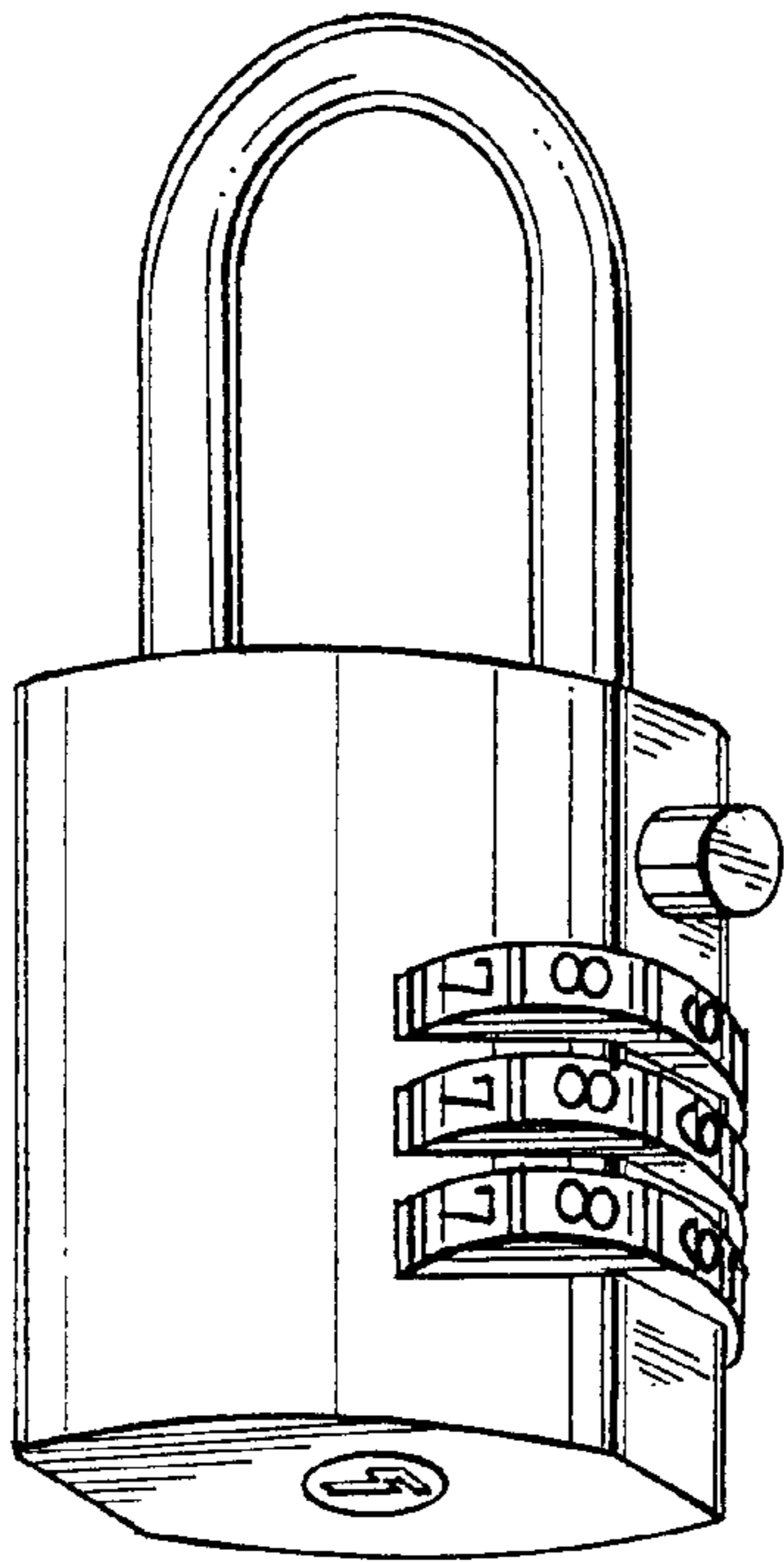


FIG. 8

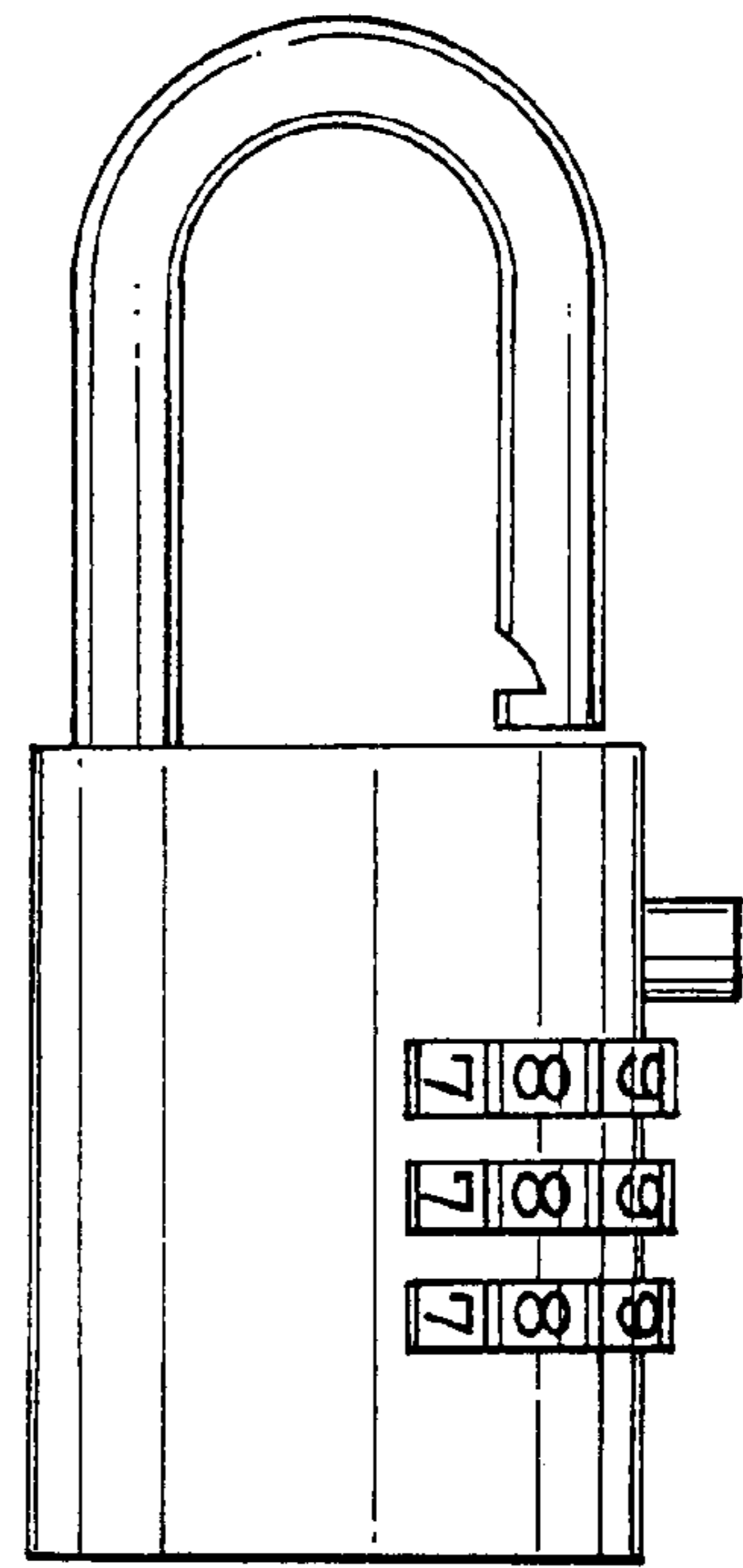


FIG. 9

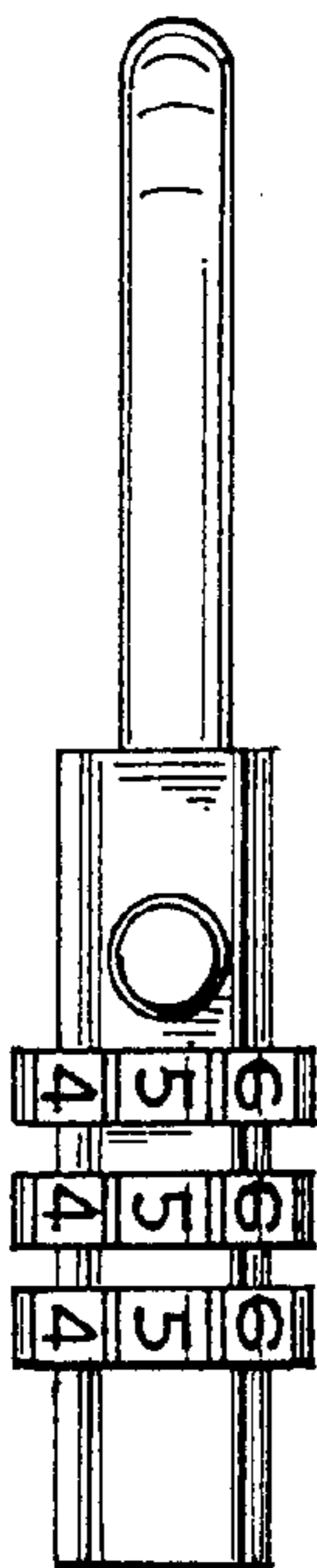


FIG. 10

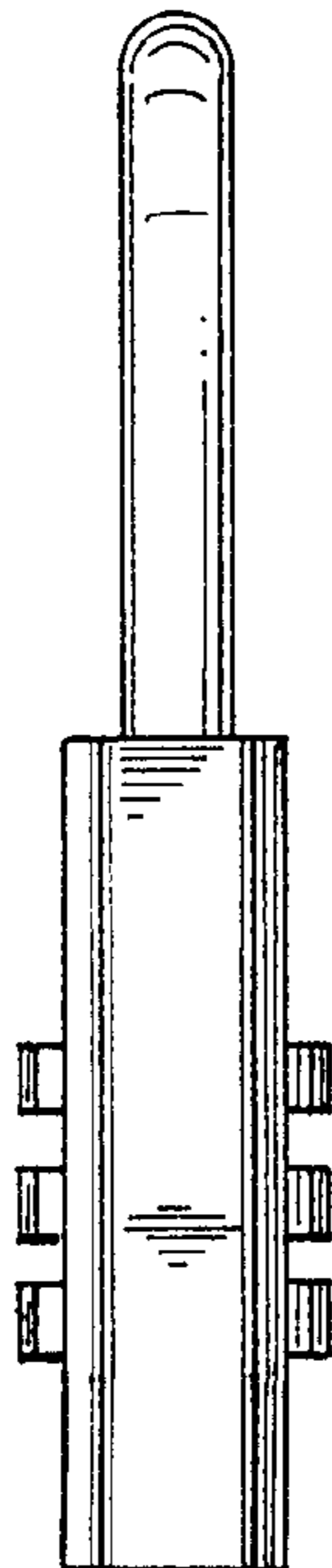


FIG. 11

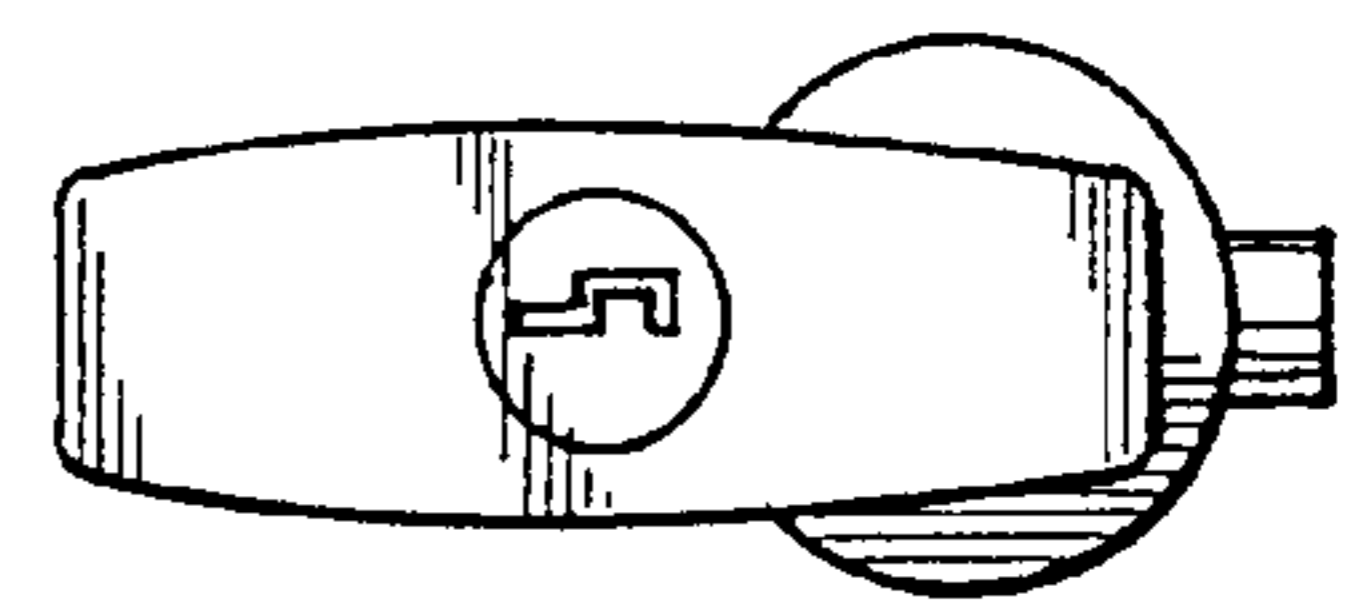


FIG. 12

