



US00D451000B1

(12) **United States Design Patent**
Karl

(10) **Patent No.:** **US D451,000 S**

(45) **Date of Patent:** **** Nov. 27, 2001**

(54) **FURNITURE HINGE**

(75) Inventor: **Reinhard Karl**, Schwerzach (AT)

(73) Assignee: **Grass AG** (AT)

(**) Term: **14 Years**

(21) Appl. No.: **29/086,010**

(22) Filed: **Apr. 2, 1998**

(51) **LOC (7) Cl.** **08-06**

(52) **U.S. Cl.** **D8/323**

(58) **Field of Search** D8/323, 327, 329;
16/386, 387, DIG. 43, 221, 247, 249, 366,
272, 236, 238, 239, 383

(56) **References Cited**

U.S. PATENT DOCUMENTS

D. 268,893	*	5/1983	Salice	D8/323
D. 309,247	*	7/1990	Grass	D8/323
D. 309,704	*	8/1990	Grass	D8/323
4,558,485	*	12/1985	Röck et al.	16/386
5,412,840	*	5/1995	Lautenschläger et al.	16/238
5,511,287	*	4/1996	Lautenschläger et al.	16/239
5,577,297	*	11/1996	Lautenschläger et al.	16/383

* cited by examiner

Primary Examiner—B. J. Bullock

(74) *Attorney, Agent, or Firm*—Kilpatrick Stockton LLP

(57) **CLAIM**

I claim the ornamental design for a furniture hinge, as shown and described.

DESCRIPTION

FIG. 1 is a perspective view of a furniture hinge showing my new design. The broken line showing of the interface of the

furniture hinge is for illustrative purposes only and forms no part of the claimed design.

FIG. 2 is a front elevational view thereof.

FIG. 3 is a side elevational view thereof. The broken line showings of the interface and of the pin of the furniture hinge are for illustrative purposes only and form no part of the claimed design.

FIG. 4 is a top plan view thereof.

FIG. 5 is an opposite side elevational view. The broken line showings of the interface and of the pin of the furniture hinge are for illustrative purposes only and form no part of the claimed design.

FIG. 6 is a rear elevational view thereof. The broken line showing of the pin of the furniture hinge is for illustrative purposes only and forms no part of the claimed design. The broken line(s) which define the bounds of the claimed design form no part thereof.

FIG. 7 is a perspective view of a second embodiment of the design of FIG. 1. The broken line showing of the interface of the furniture hinge is for illustrative purposes only and forms no part of the claimed design.

FIG. 8 is a front elevational view thereof.

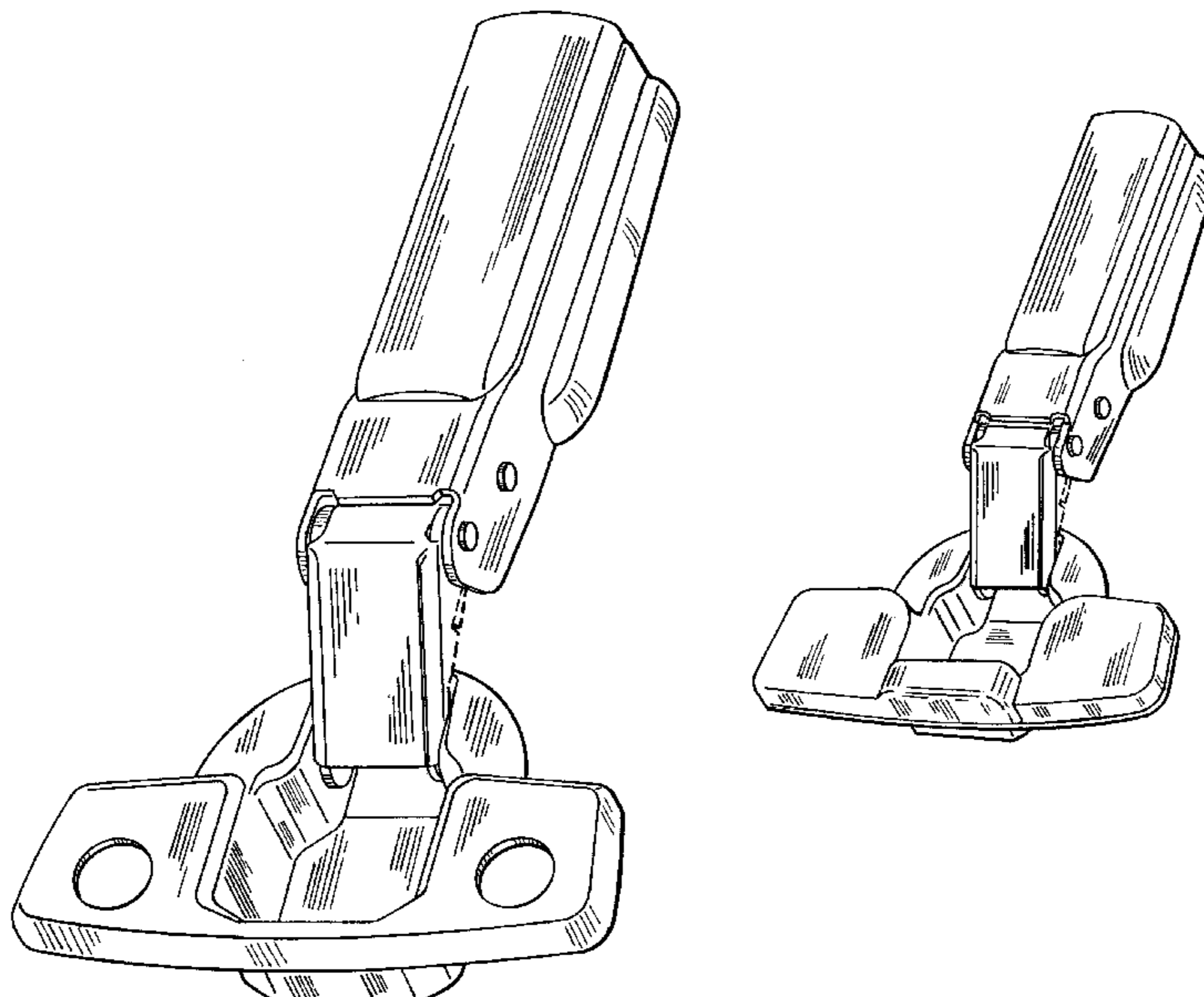
FIG. 9 is a side elevational view thereof. The broken line showings of the interface and of the pin of the furniture hinge are for illustrative purposes only and form no part of the claimed design.

FIG. 10 is a top plan view thereof.

FIG. 11 is an opposite side elevational view thereof. The broken line showings of the interface and of the pin of the furniture hinge are for illustrative purposes only and form no part of the claimed design; and,

FIG. 12 is a rear elevational view thereof. The broken line showing of the pin of the furniture hinge is for illustrative purposes only and forms no part of the claimed design. The broken line(s) which define the bounds of the claimed design form no part thereof.

1 Claim, 6 Drawing Sheets



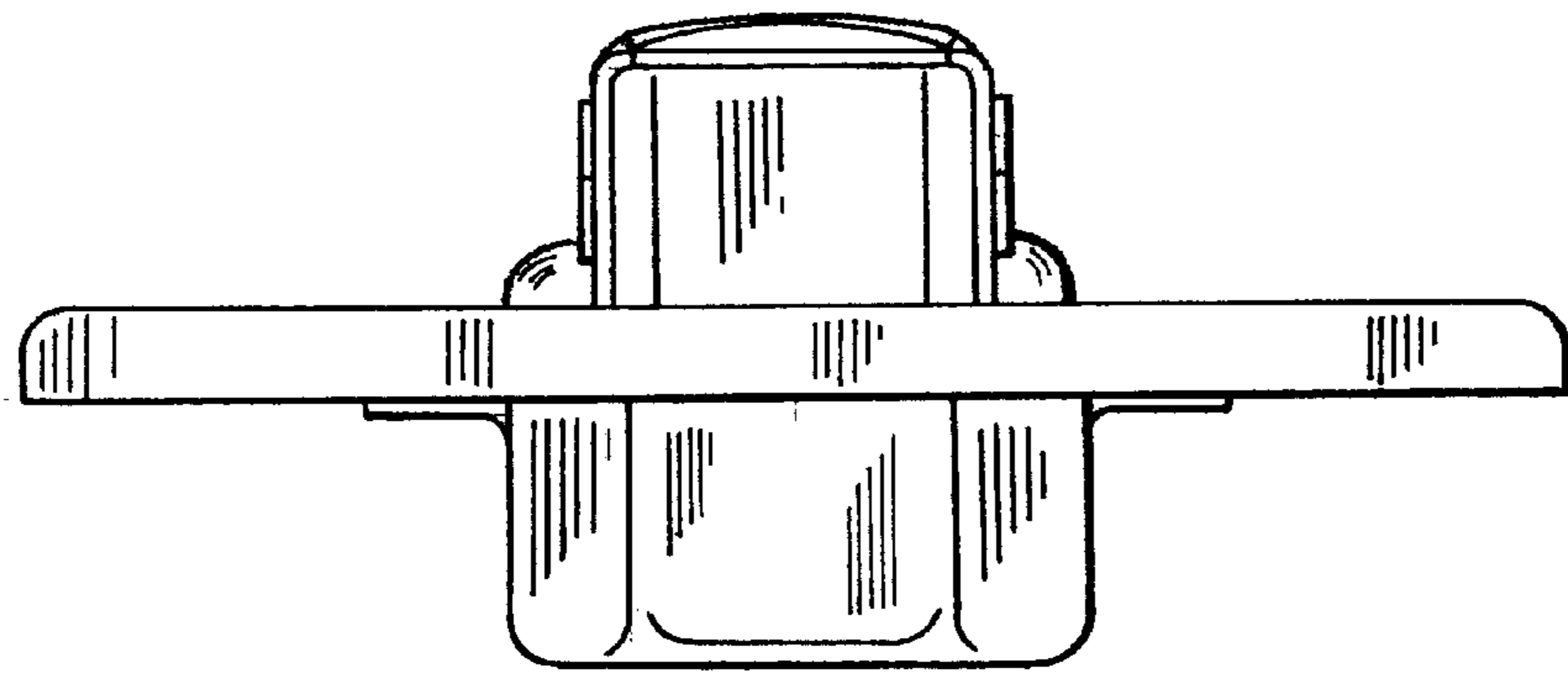


FIG. 2

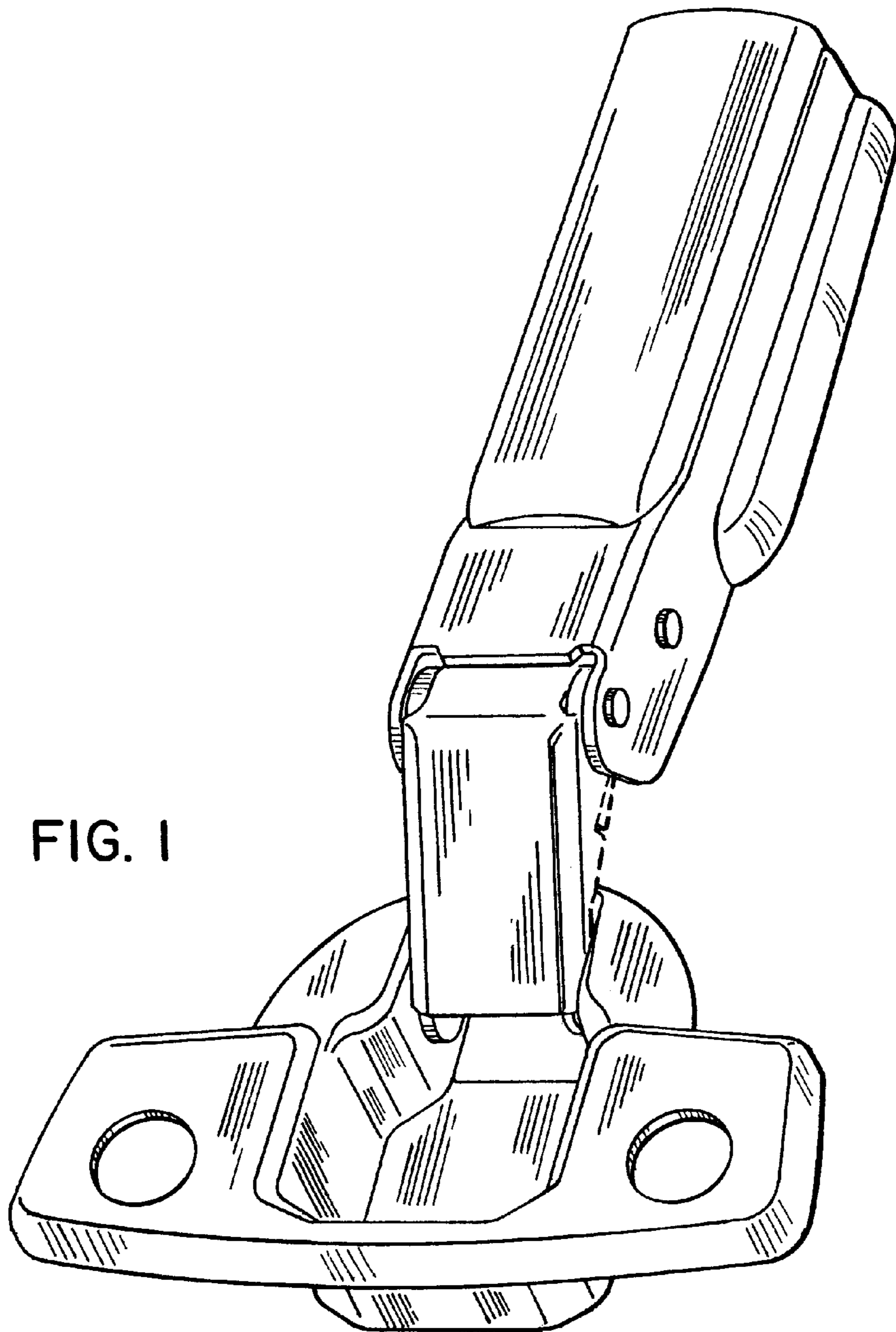


FIG. 1

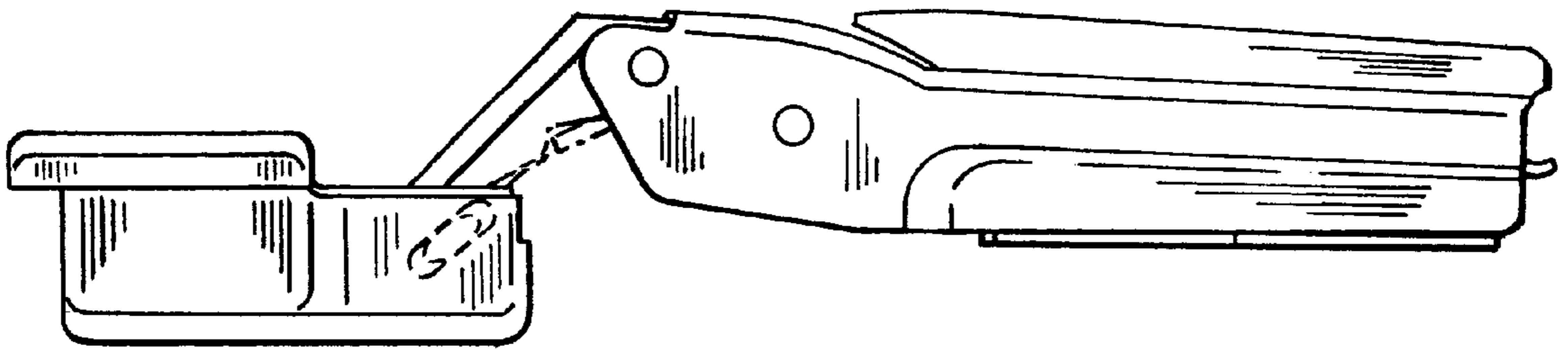


FIG. 3

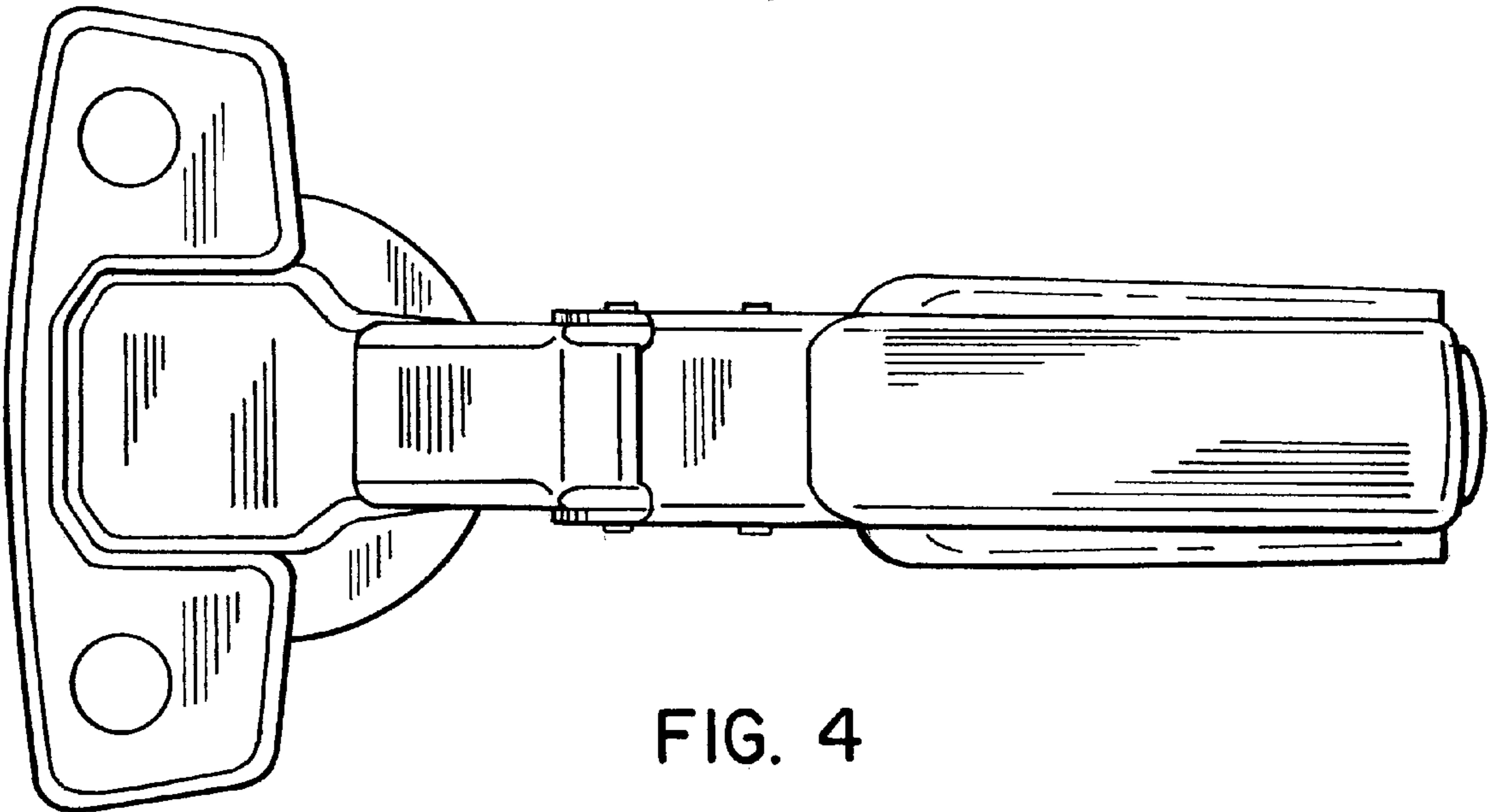


FIG. 4

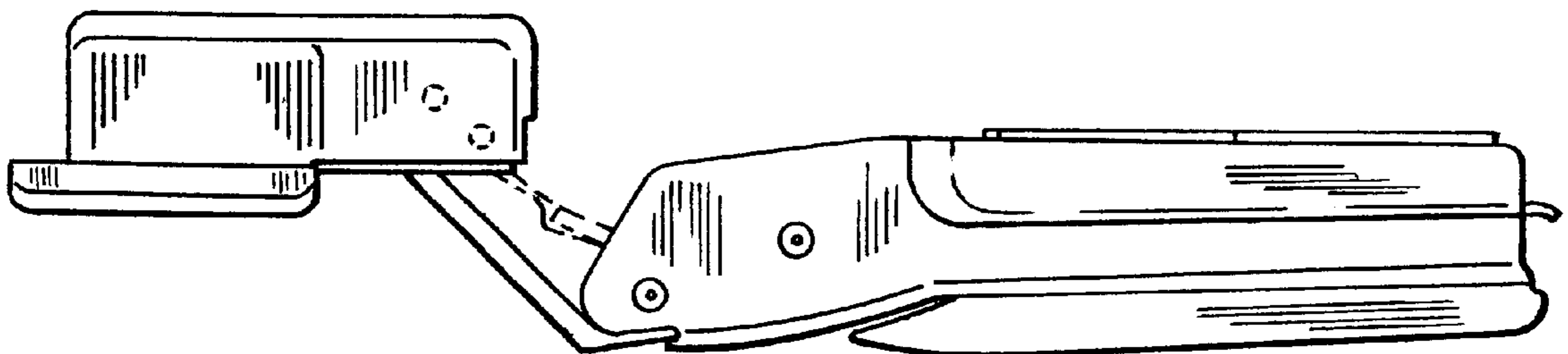


FIG. 5

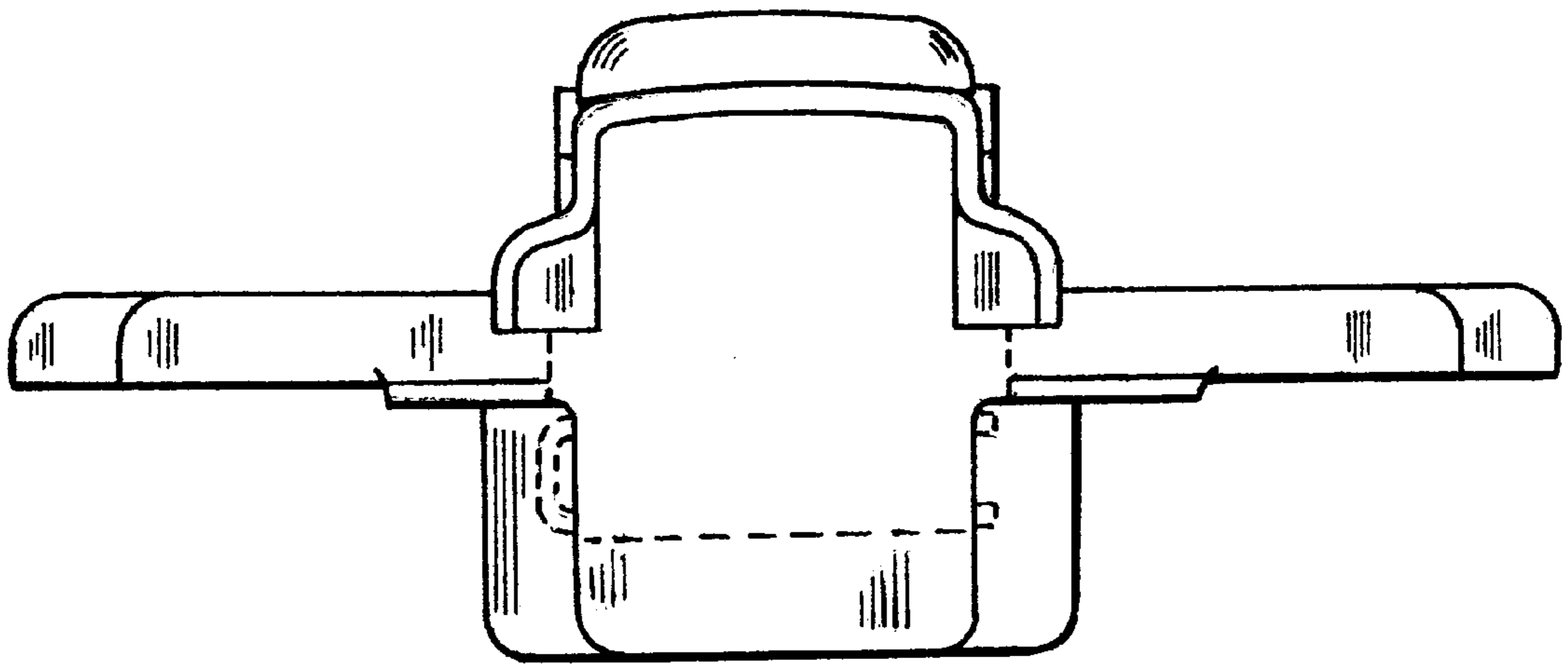


FIG. 6

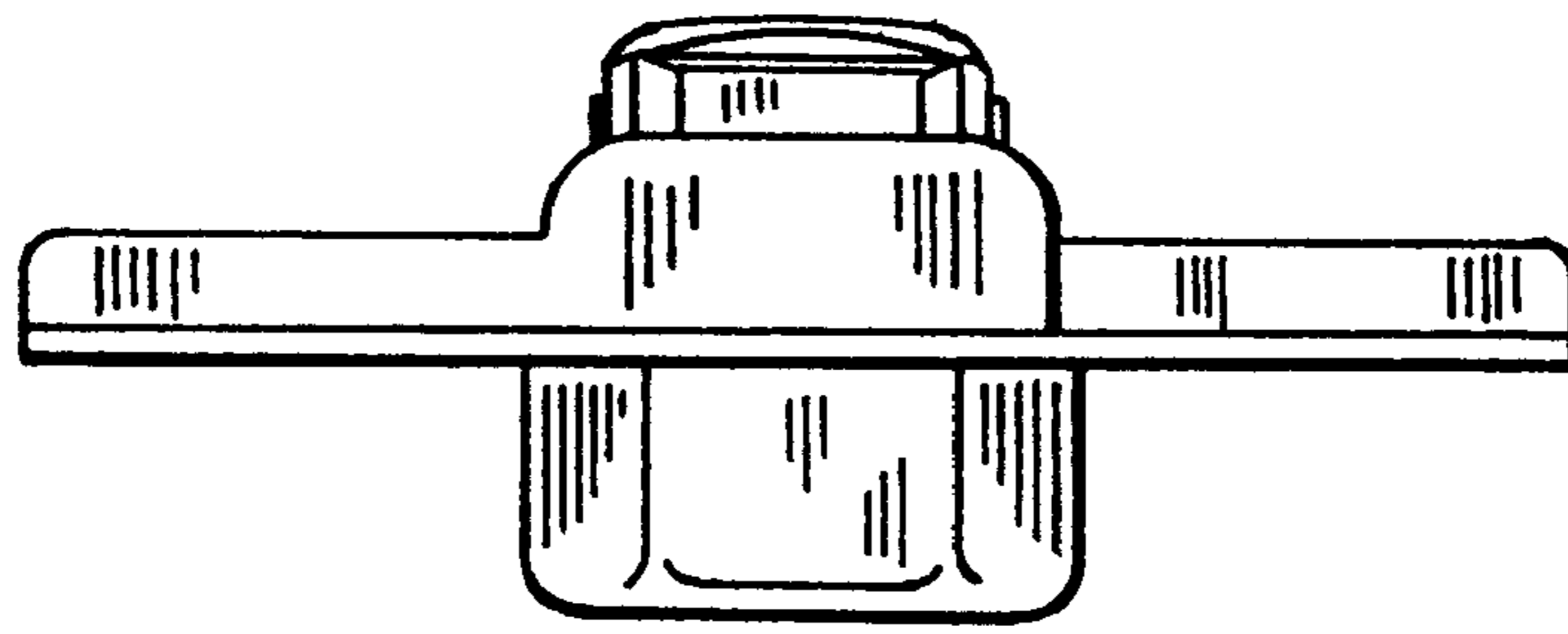


FIG. 8

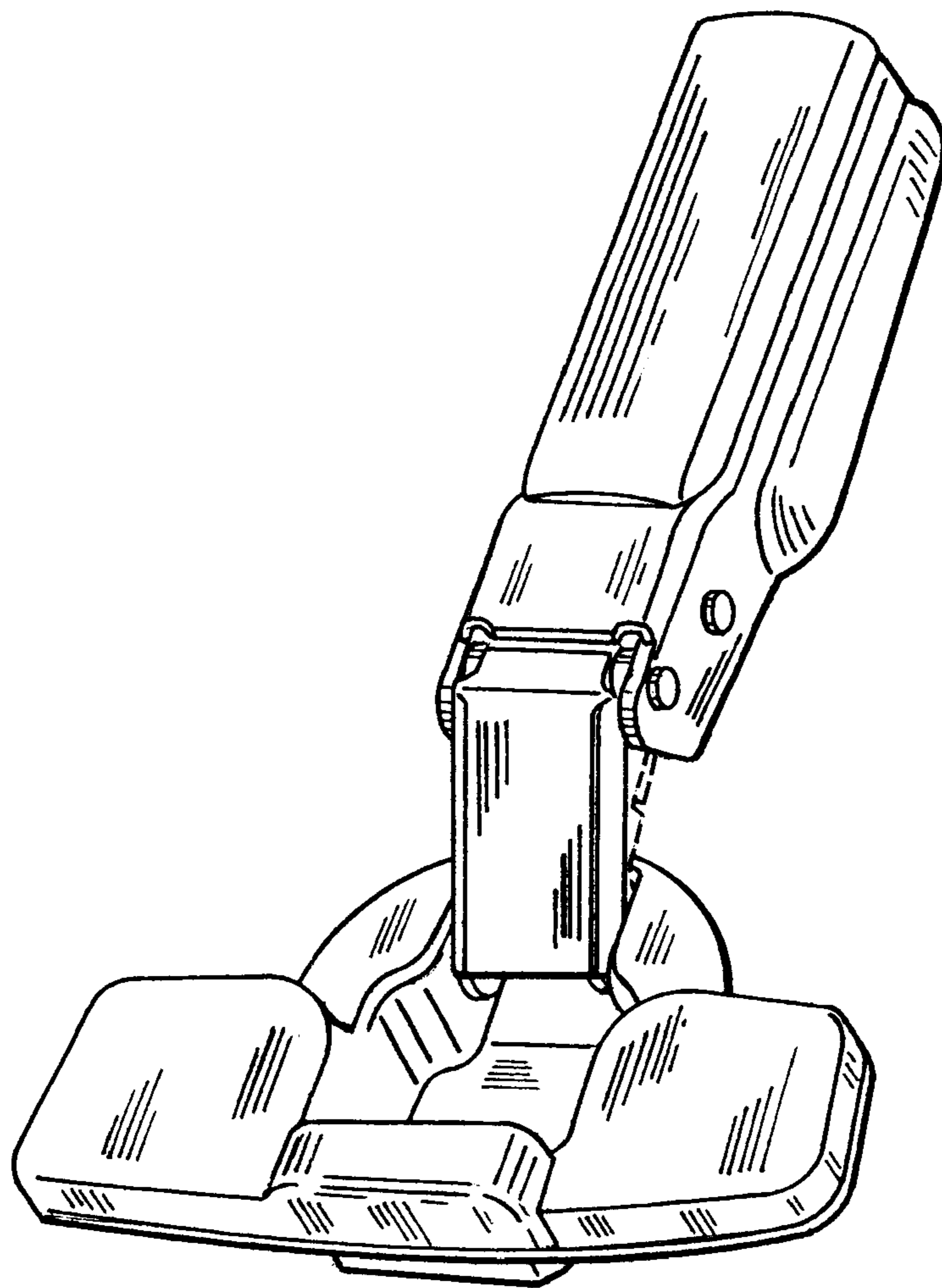


FIG. 7

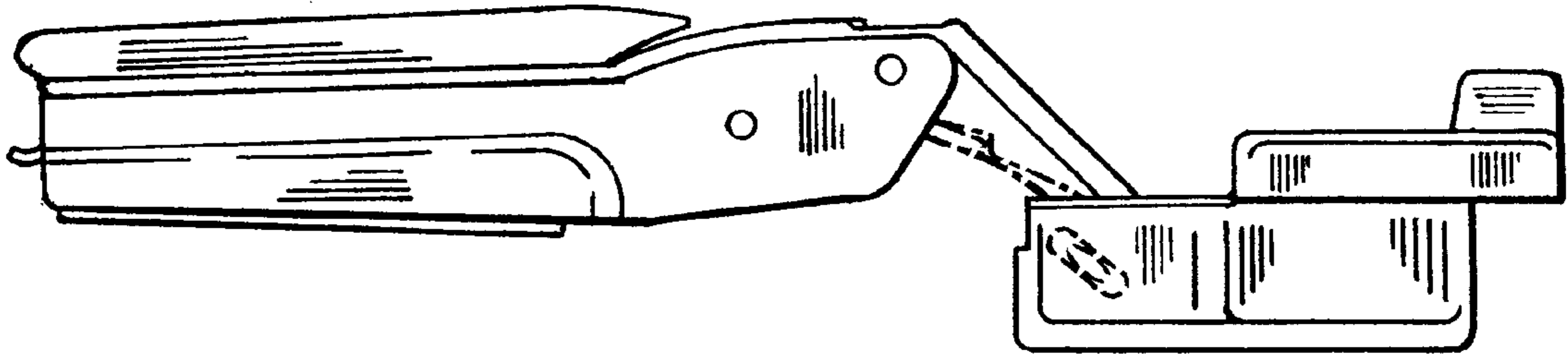


FIG. 9

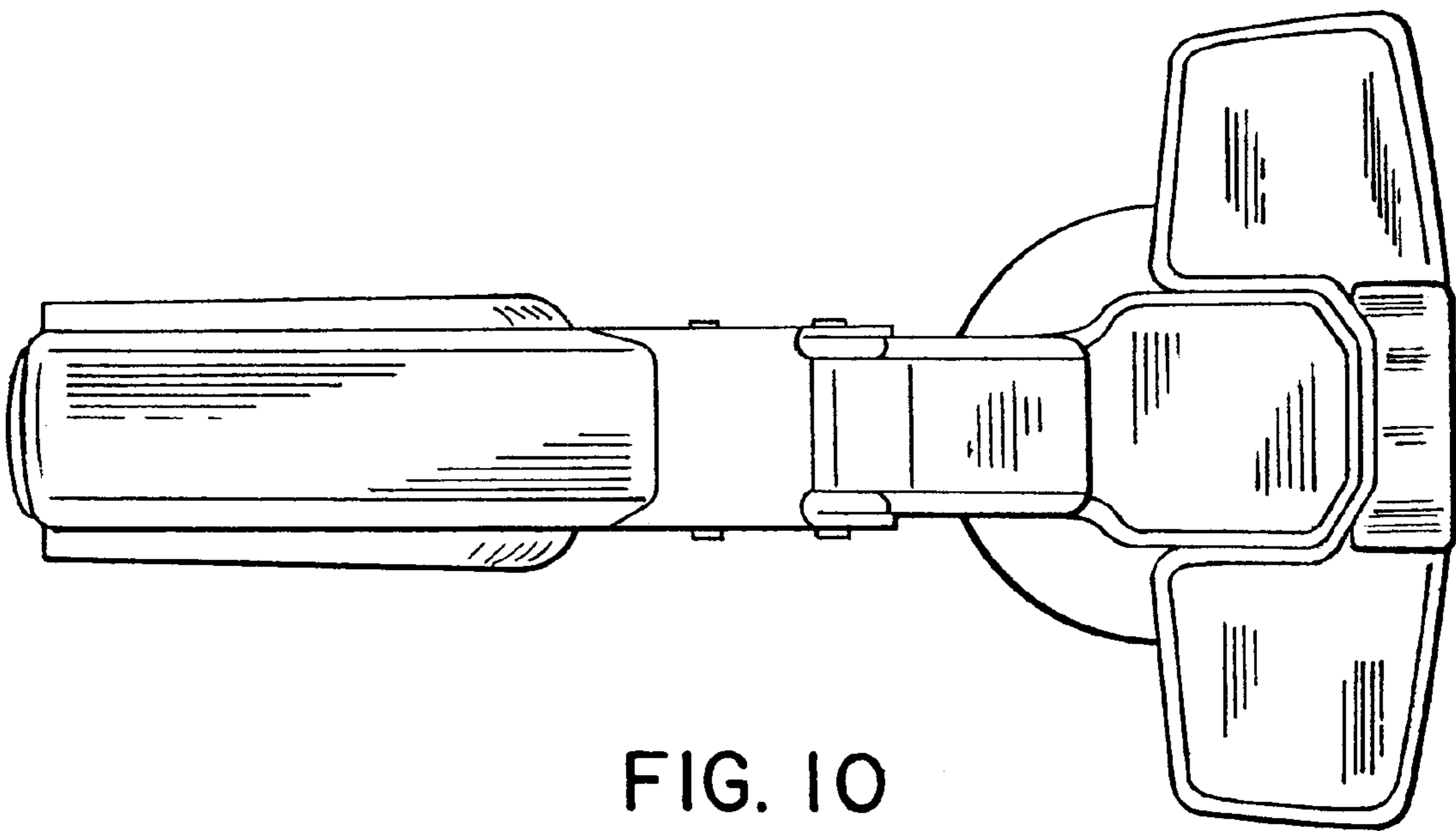


FIG. 10

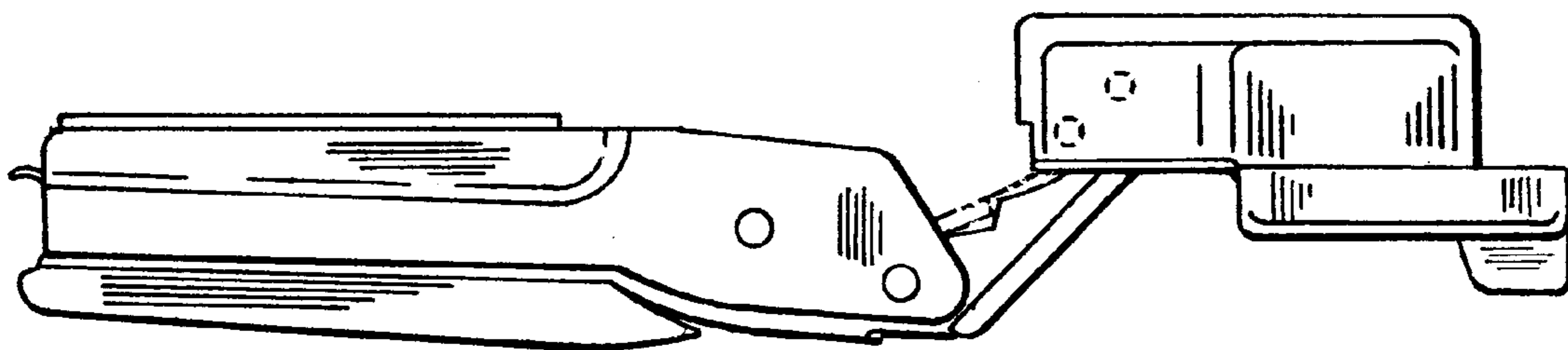


FIG. 11

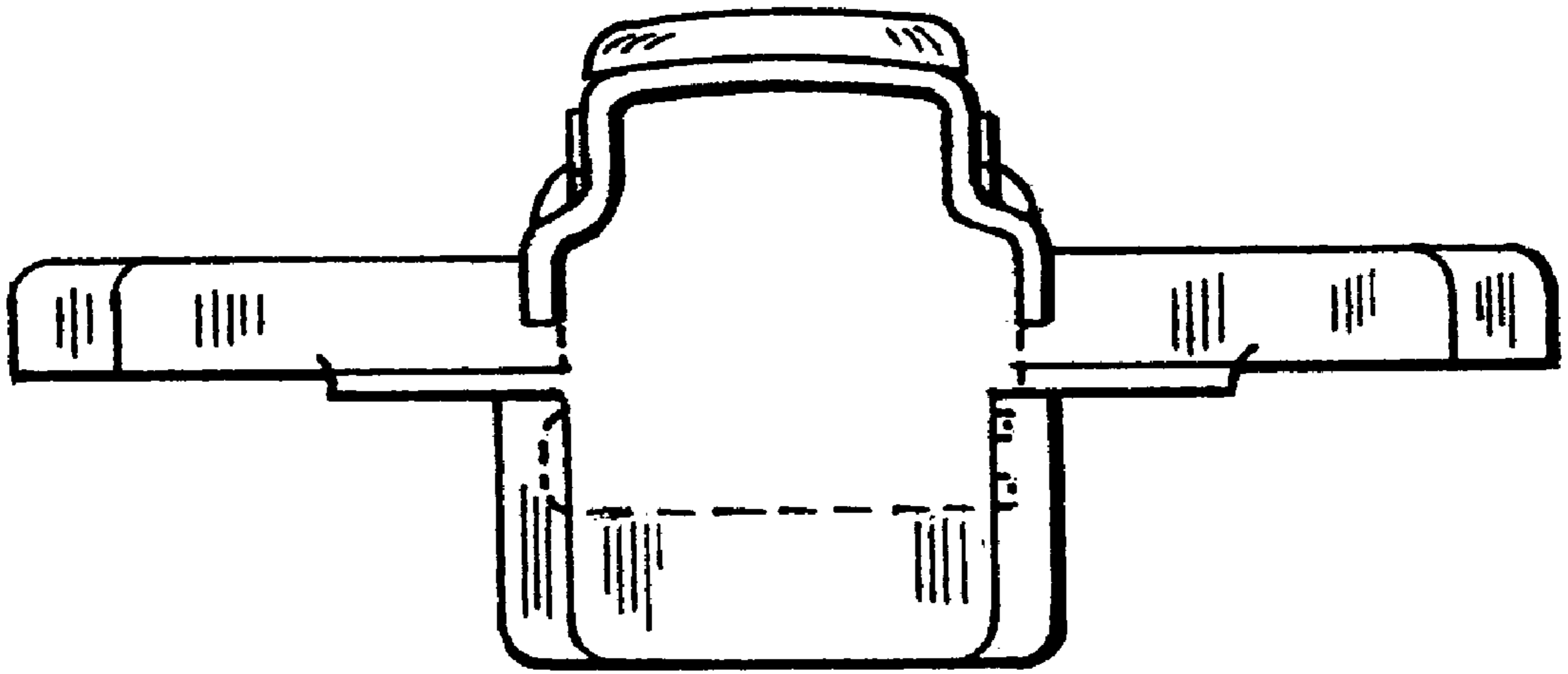


FIG. 12