



US00D450998B1

(12) **United States Design Patent**
Wang

(10) **Patent No.:** **US D450,998 S**

(45) **Date of Patent:** **** Nov. 27, 2001**

(54) **HANDLE**

(76) Inventor: **King-Sheng Wang**, No. 17, Lane 116,
Ta-An Kang Rd., Ta-Chia Chen,
Taichung Hsien (TW)

(**) Term: **14 Years**

(21) Appl. No.: **29/144,025**

(22) Filed: **Jun. 26, 2001**

(51) **LOC (7) Cl.** **08-06**

(52) **U.S. Cl.** **D8/316**

(58) **Field of Search** D8/300, 306, 315-320,
D8/350; D3/276, 281, 282, 291, 318, 279;
190/115-8; 16/114.1, 405, 406, 408-411,
430, 436, 438

(56) **References Cited**

U.S. PATENT DOCUMENTS

D. 327,409 * 6/1992 Fulton D8/319
D. 424,400 * 5/2000 Liu D8/320

D. 432,893 * 10/2000 Liu D8/316
D. 432,895 * 10/2000 Liu D8/316
5,806,143 * 9/1998 Tsai .
6,163,925 * 12/2000 Liu .

* cited by examiner

Primary Examiner—B. J. Bullock

(74) *Attorney, Agent, or Firm*—Bacon & Thomas, PLLC

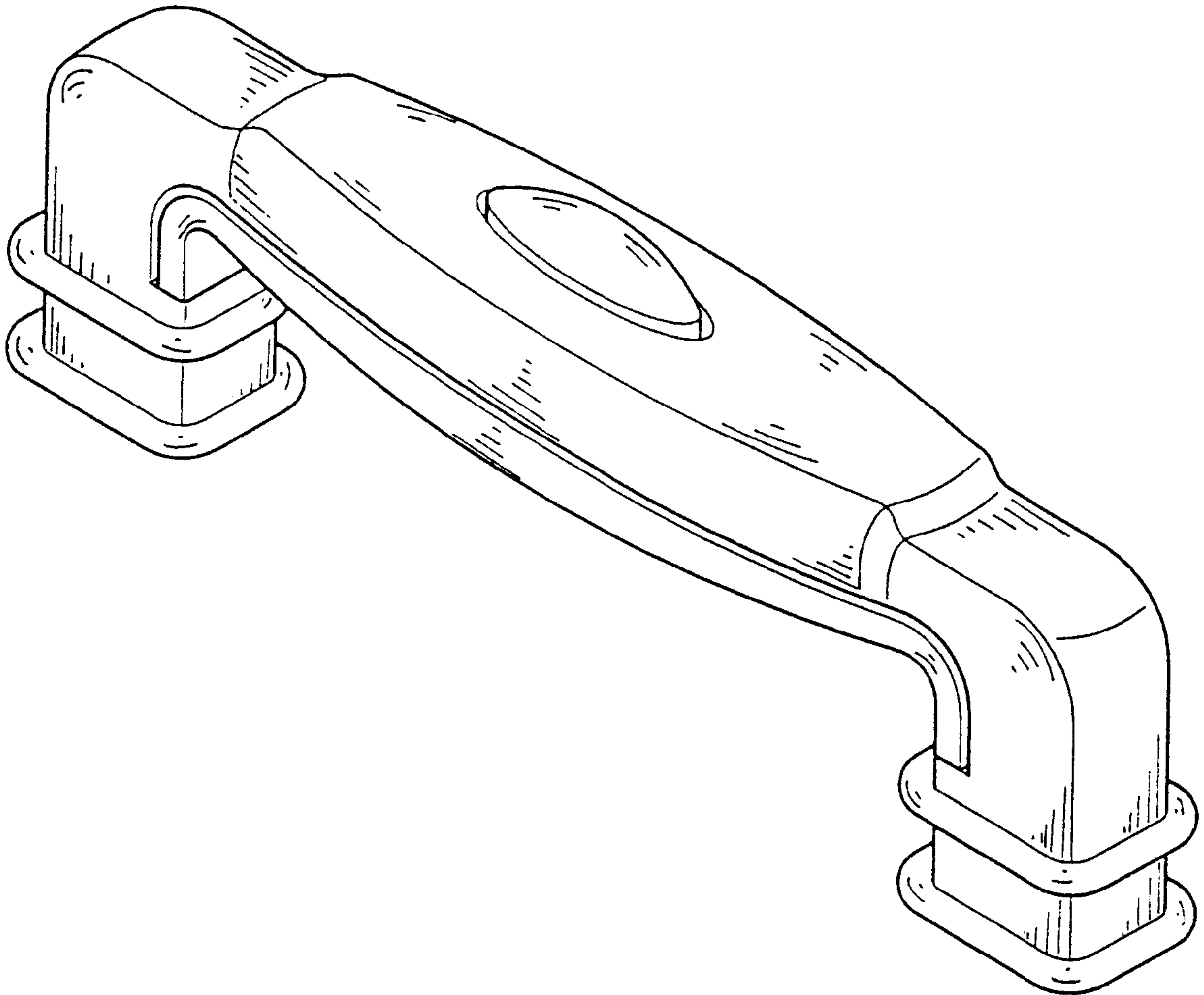
(57) **CLAIM**

The ornamental design for a handle, as shown and described.

DESCRIPTION

FIG. 1 is a perspective view of a handle showing our new design;
FIG. 2 is a front side elevational view;
FIG. 3 is a rear side elevational view thereof;
FIG. 4 is a left side elevational view;
FIG. 5 is a right side elevational view thereof.;
FIG. 6 is a top plan view; and,
FIG. 7 is a bottom plan view.

1 Claim, 6 Drawing Sheets



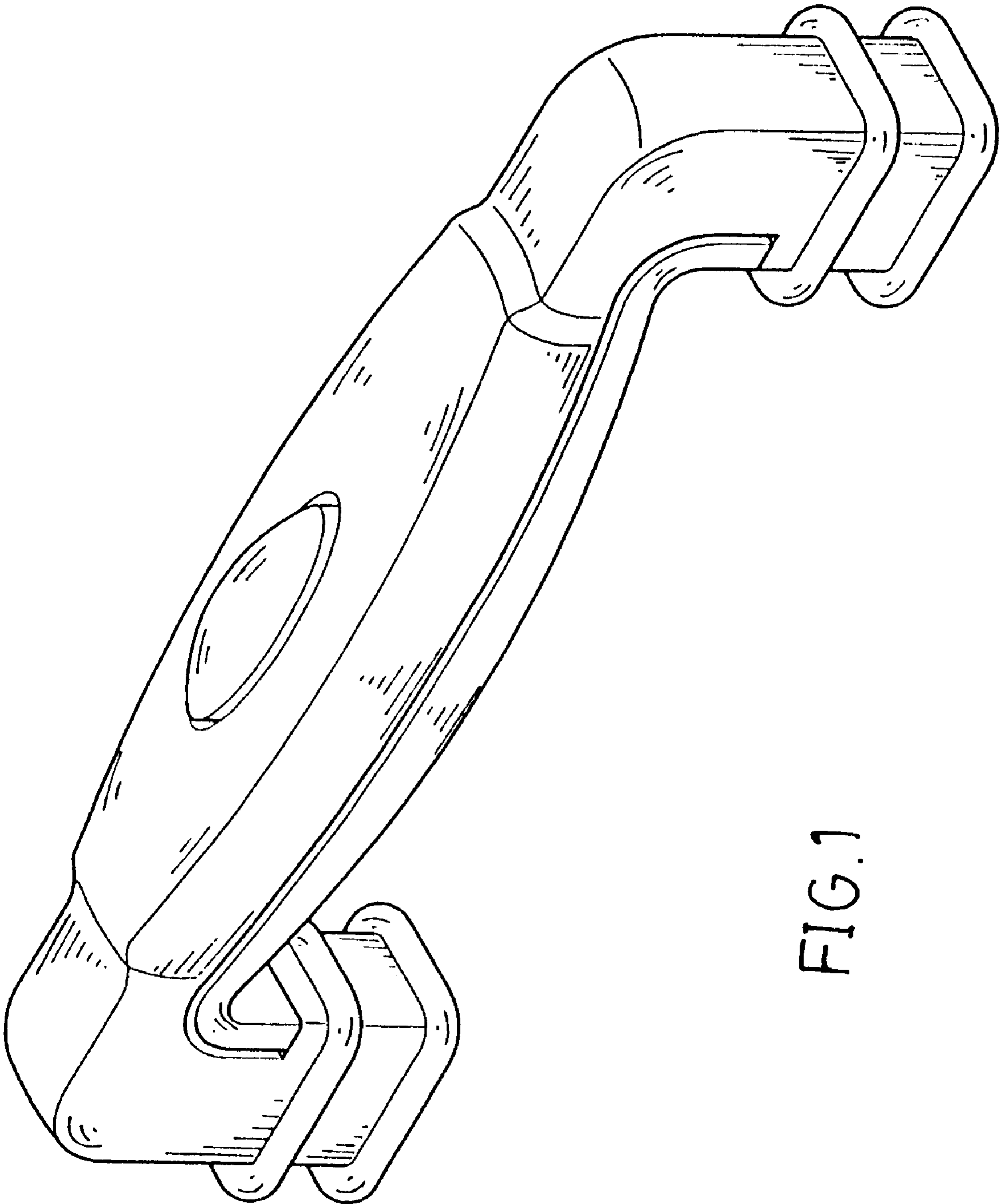


FIG. 1

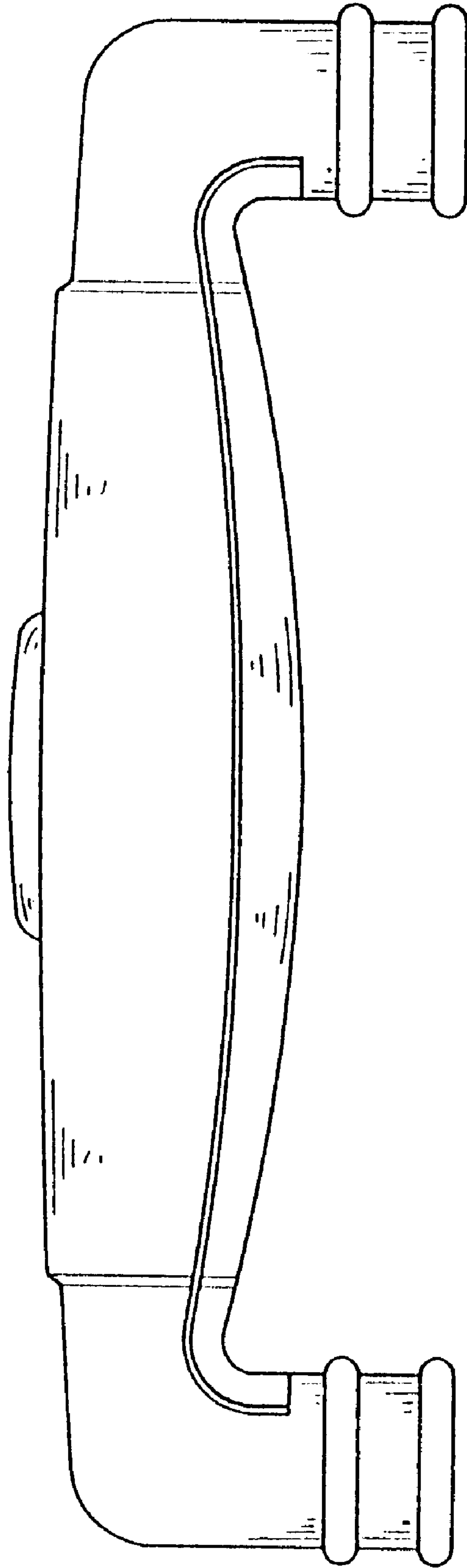


FIG. 2

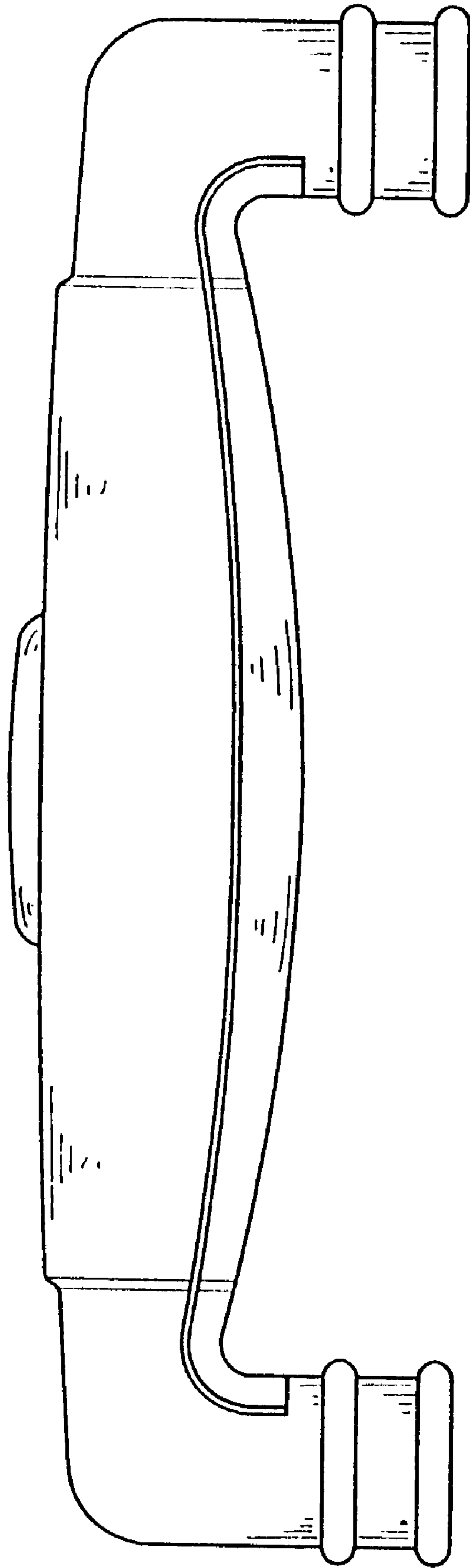


FIG. 3

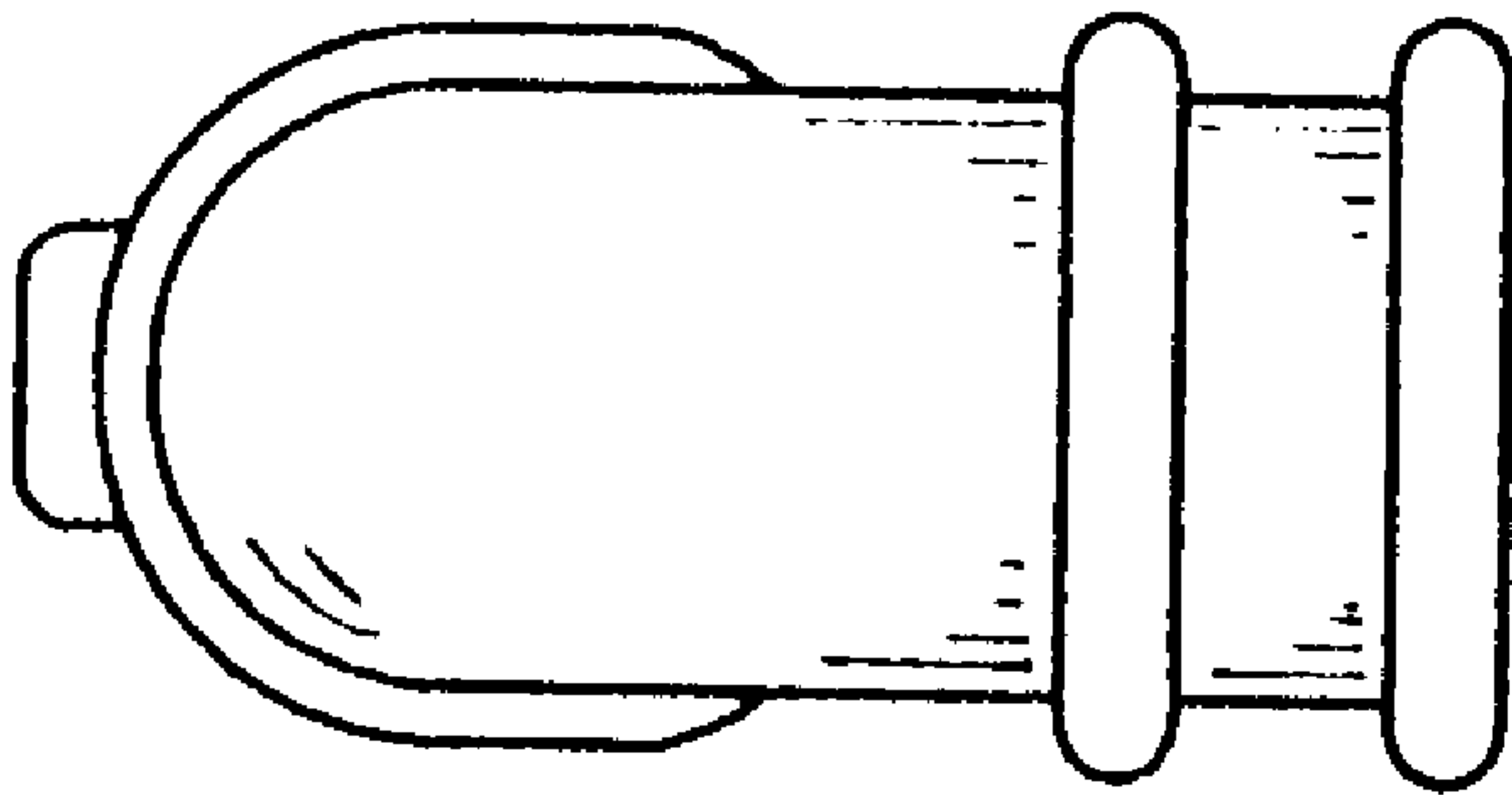


FIG. 4

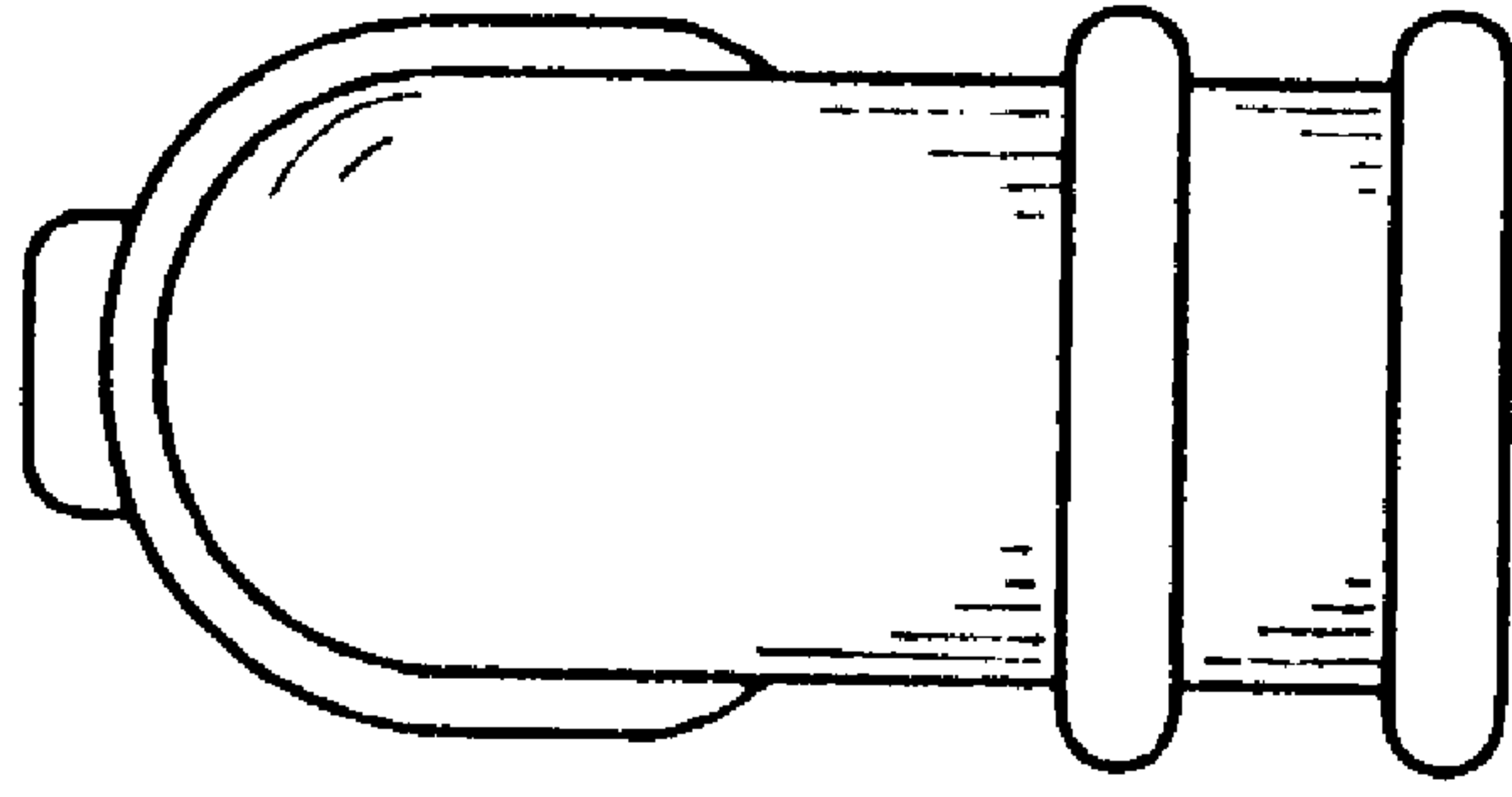


FIG. 5

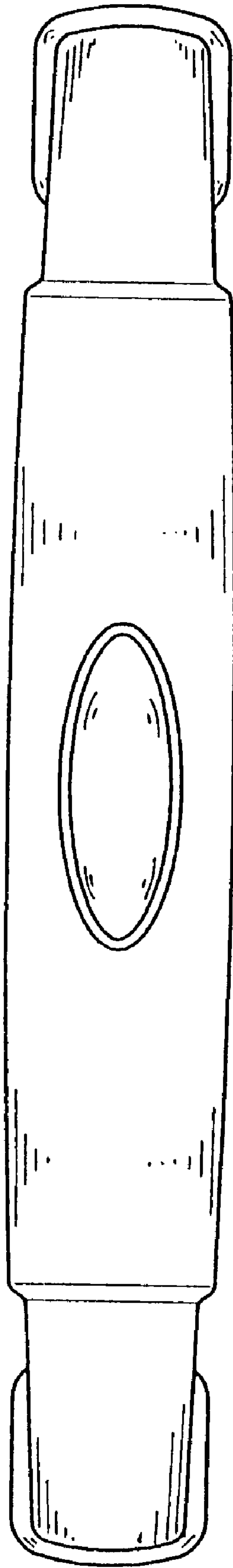


FIG. 6

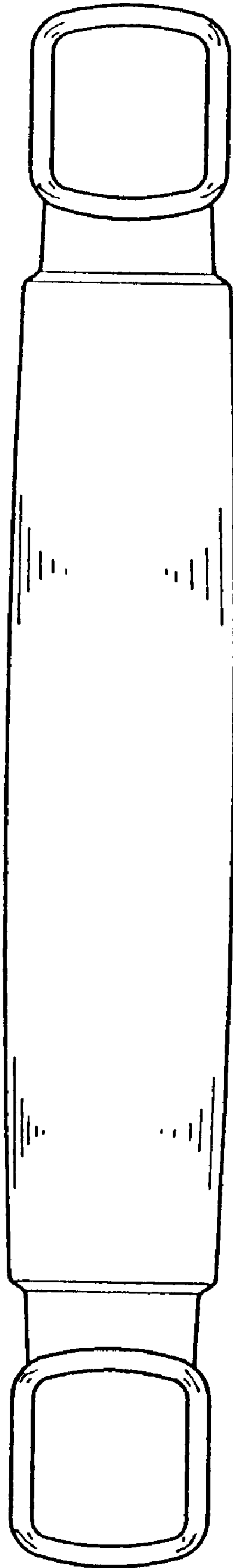


FIG. 7