



US00D450990B1

(12) **United States Design Patent**
Streeter

(10) **Patent No.:** **US D450,990 S**

(45) **Date of Patent:** **** Nov. 27, 2001**

(54) **FASTENER HOLDER FOR SCREWS, NAILS AND THE LIKE**

5,713,709 * 2/1998 Huang 411/442

* cited by examiner

(76) **Inventor:** **Lawrence Streeter**, P.O. Box 8653,
Benton Harbor, MI (US) 49022

Primary Examiner—Philip S. Hyder

(74) *Attorney, Agent, or Firm*—Baker & Daniels

(**) **Term:** **14 Years**

(57) **CLAIM**

(21) **Appl. No.:** **29/109,144**

The ornamental design for a fastener holder for screws, nails and the like, as shown and described.

(22) **Filed:** **Aug. 10, 1999**

DESCRIPTION

(51) **LOC (7) Cl.** **08-05**

(52) **U.S. Cl.** **D8/71**

(58) **Field of Search** D8/71; 206/347,
206/338, 345, 346; 411/442, 443, 966

FIG. 1 is a left side perspective view of a fastener holder for screws, nails and the like showing my new design;

FIG. 2 is a left side view thereof, the right side view being a mirror image;

FIG. 3 is a front end view thereof, the rear end view being a mirror image;

FIG. 4 is a top plan view thereof; and,

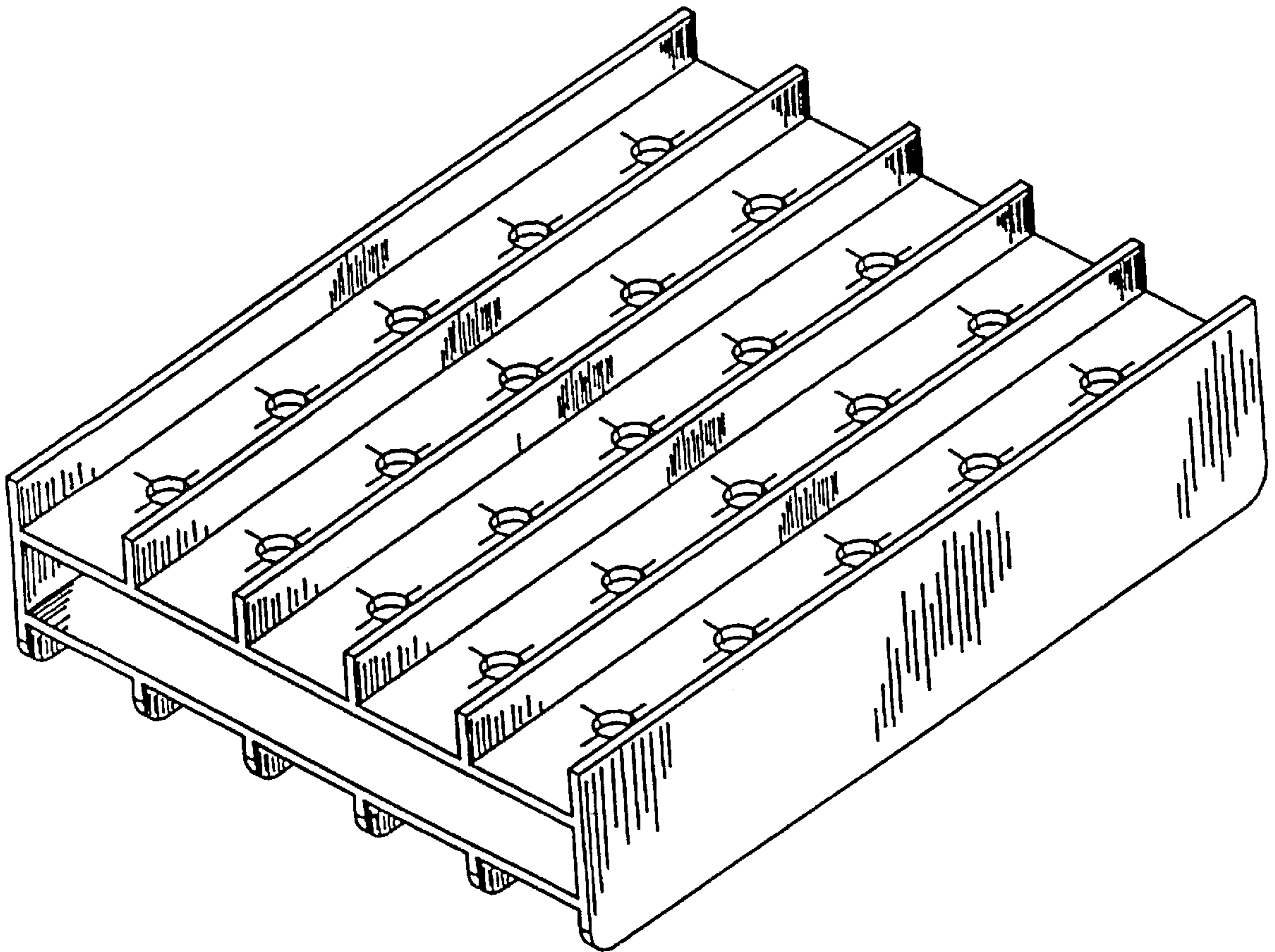
FIG. 5 is a bottom plan view thereof.

(56) **References Cited**

U.S. PATENT DOCUMENTS

- D. 335,434 * 5/1993 Someya D8/71
- D. 342,432 * 12/1993 Sadoway D8/71
- D. 375,442 * 11/1996 Hughes D8/91
- 5,244,088 * 9/1993 Musil 206/338

1 Claim, 4 Drawing Sheets



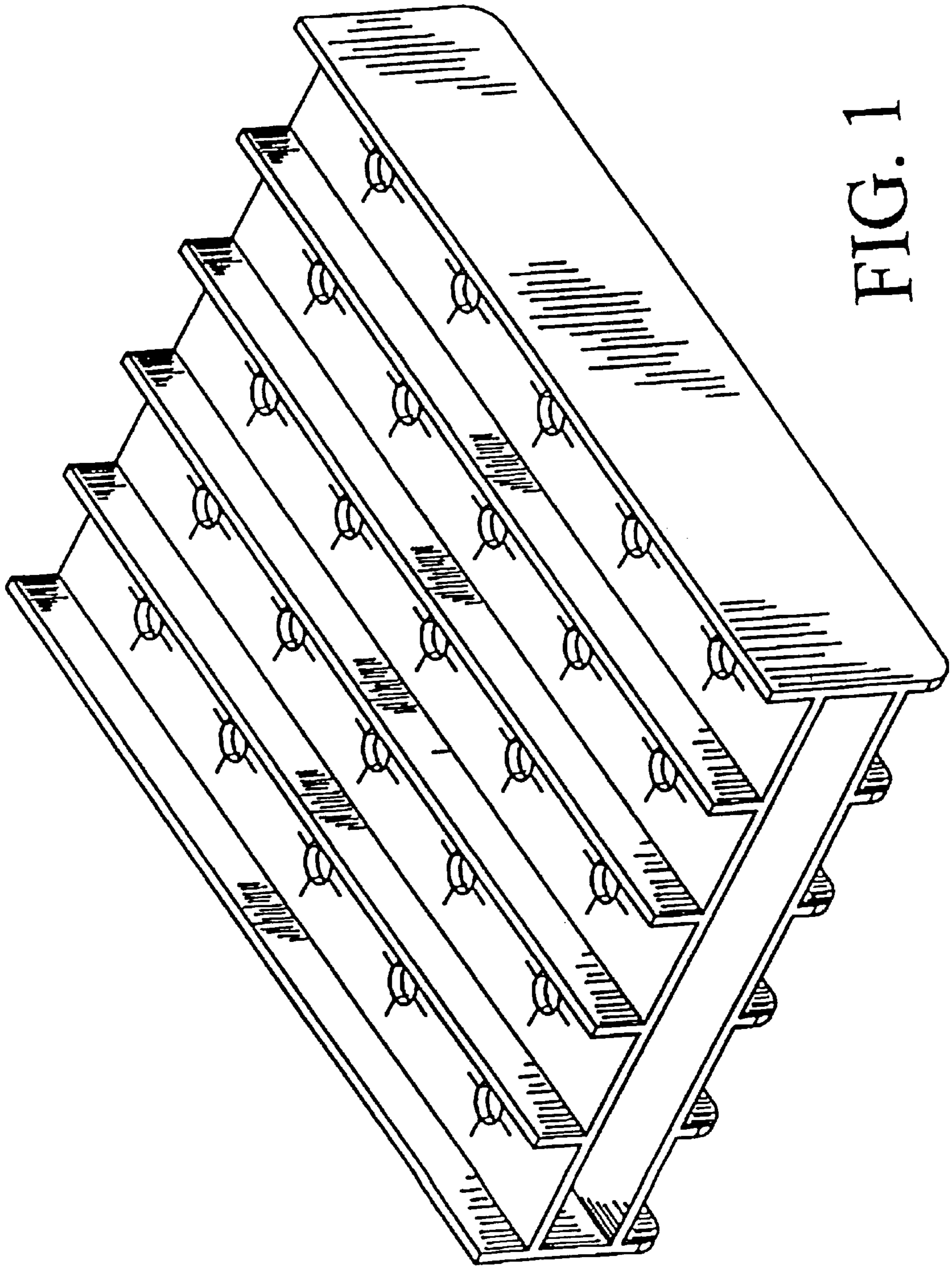


FIG. 1

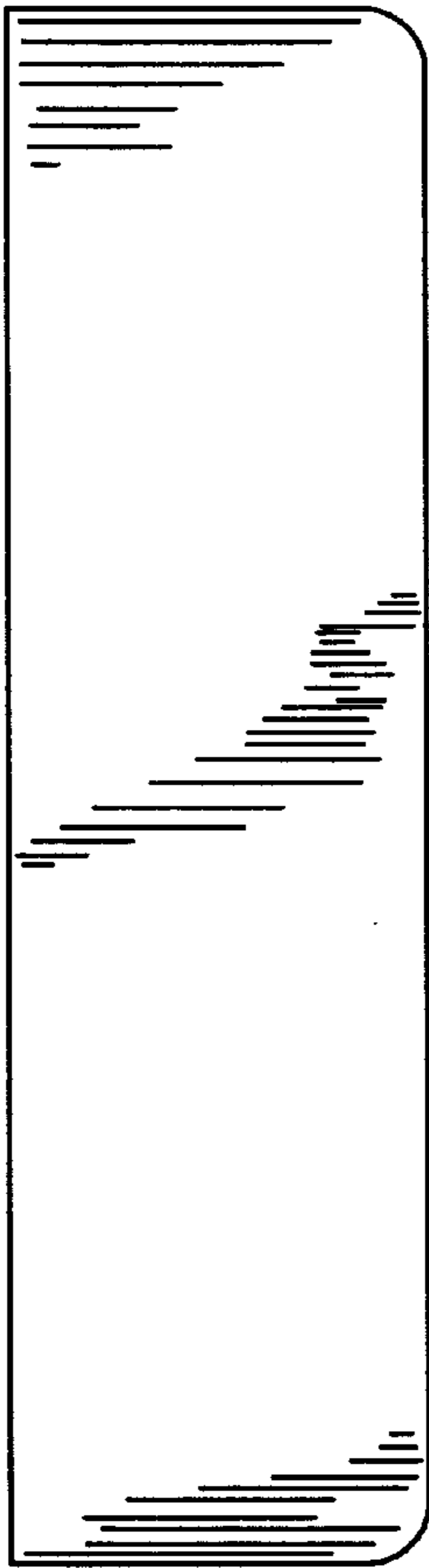


FIG. 2

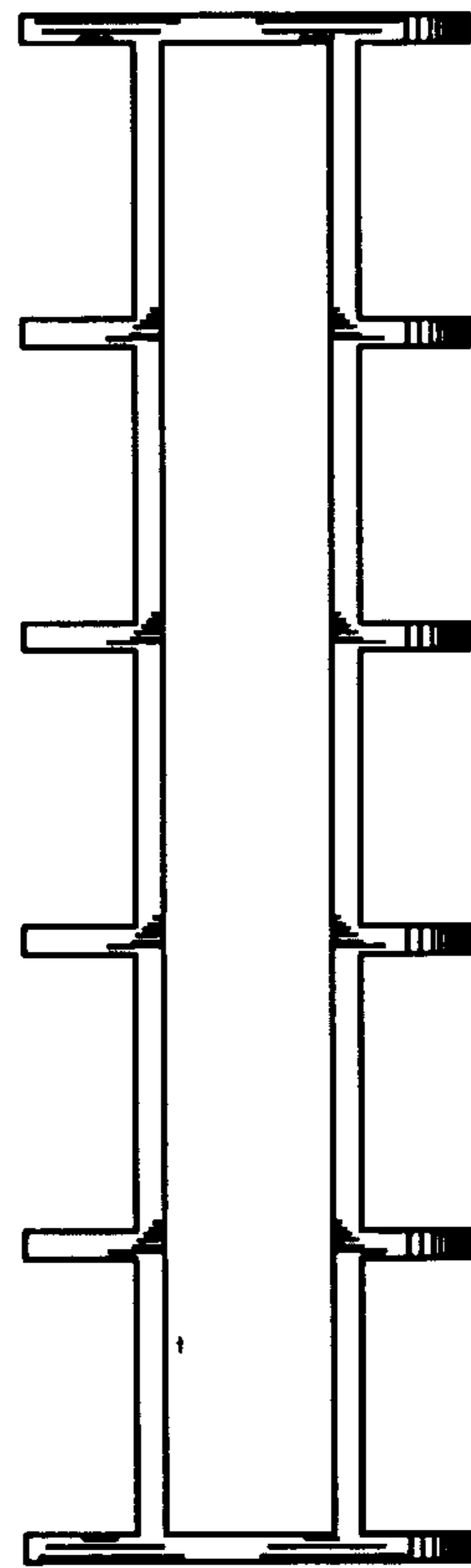


FIG. 3

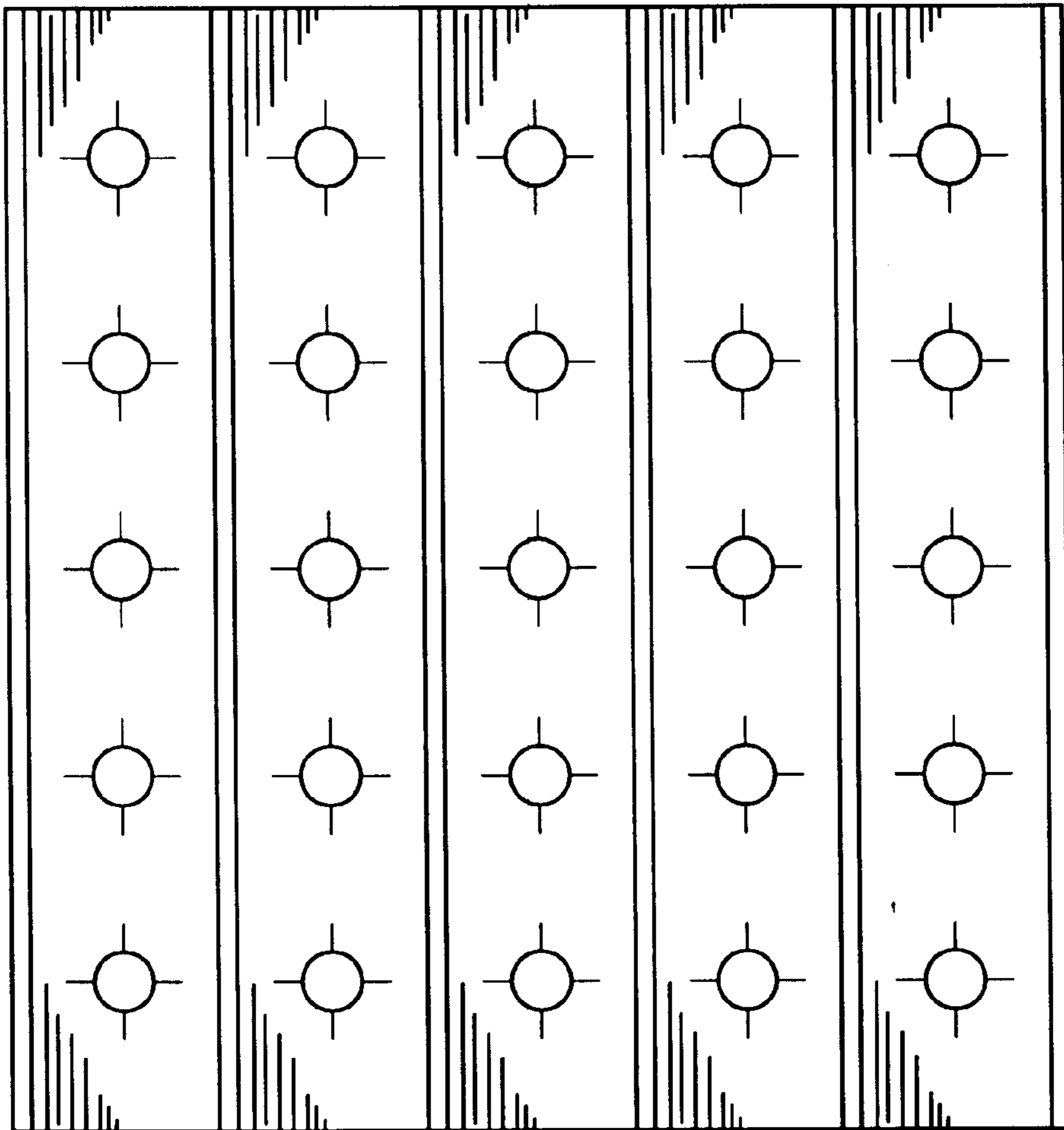


FIG. 4

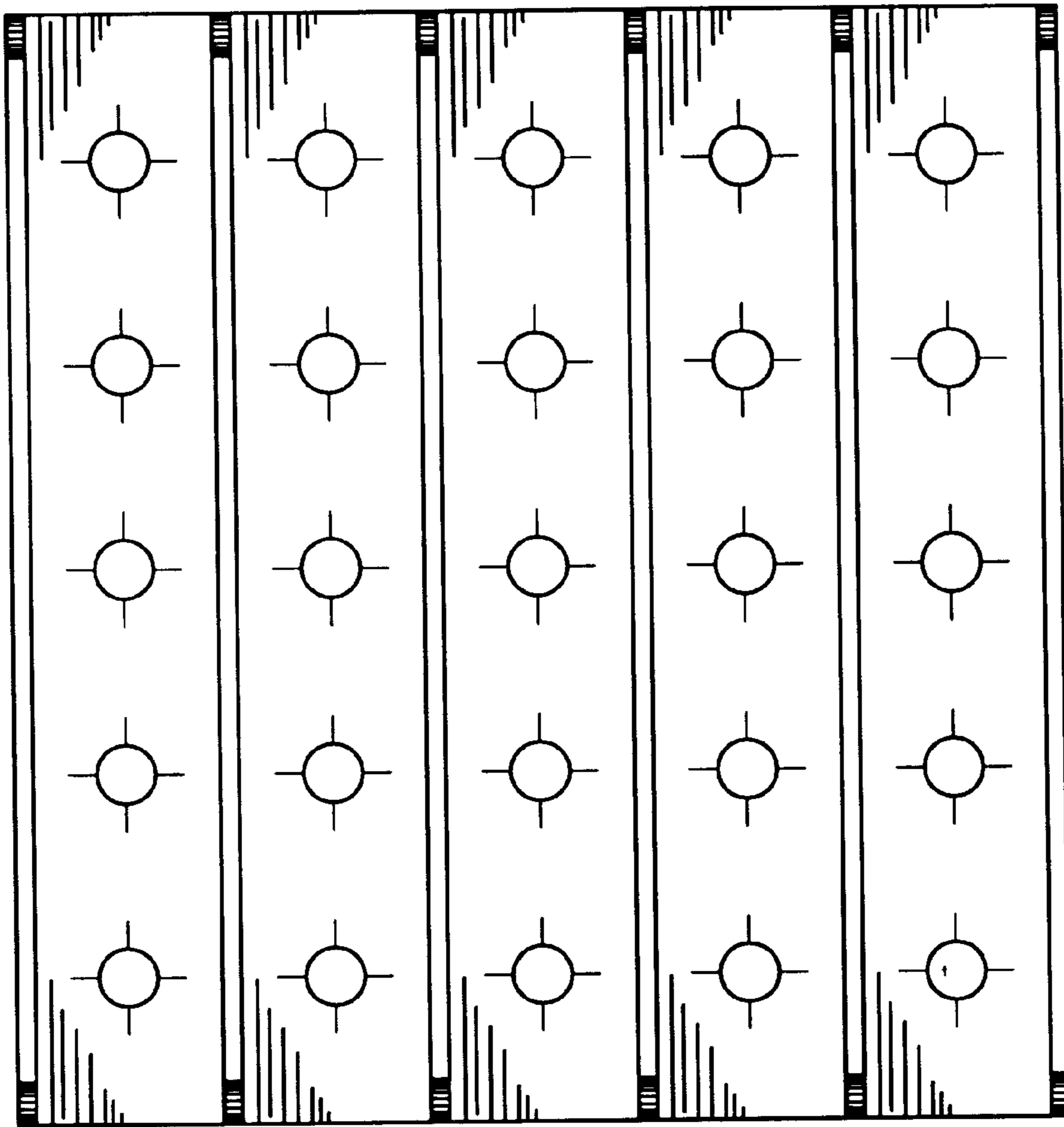


FIG. 5