



US00D450986B1

(12) **United States Design Patent**
Harvanek

(10) **Patent No.:** **US D450,986 S**

(45) **Date of Patent:** **** *Nov. 27, 2001**

(54) **WINDOW GLAZING TOOL**

(76) Inventor: **Ray A. Harvanek**, P.O. Box 824542,
Dallas, TX (US) 75382

(*) Notice: This patent is subject to a terminal disclaimer.

(**) Term: **14 Years**

(21) Appl. No.: **29/128,573**

(22) Filed: **Aug. 28, 2000**

(51) **LOC (7) Cl.** **08-05**

(52) **U.S. Cl.** **D8/45; D8/14**

(58) **Field of Search** D8/14, 45; D32/46,
D32/49; 30/169; 7/105; 15/236.01

(56) **References Cited**

U.S. PATENT DOCUMENTS

D. 326,546	*	5/1992	Gringer	D32/49
D. 327,553	*	6/1992	Gringer	D32/49
D. 341,454	*	11/1993	Canencia et al.	D32/49
D. 427,035		6/2000	Harvanek	D8/45
3,774,252	*	11/1973	Cantales	7/105
4,571,170	*	2/1986	Tackett et al.	425/458

4,620,369	*	11/1986	Grecken	30/329
5,008,970	*	4/1991	Tsai	15/236.01
5,018,956	*	5/1991	Lemaster	425/87
5,057,002	*	10/1991	Whited et al.	425/458
5,075,916	*	12/1991	Englehart	15/236.01
5,099,538	*	3/1992	Gaconnet	15/236.01
5,440,777	*	8/1995	Olivieri	15/236.01
5,720,063	*	2/1998	Chacon	7/105

* cited by examiner

Primary Examiner—Philip S. Hyder

(74) *Attorney, Agent, or Firm*—H. Dennis Kelly

(57) **CLAIM**

The ornamental design for a window glazing tool, as shown and described.

DESCRIPTION

FIG. 1 is a front elevation of a window glazing tool showing my new design.

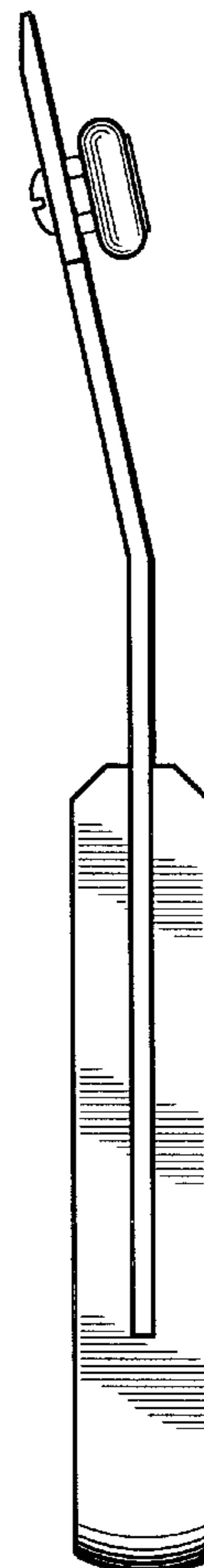
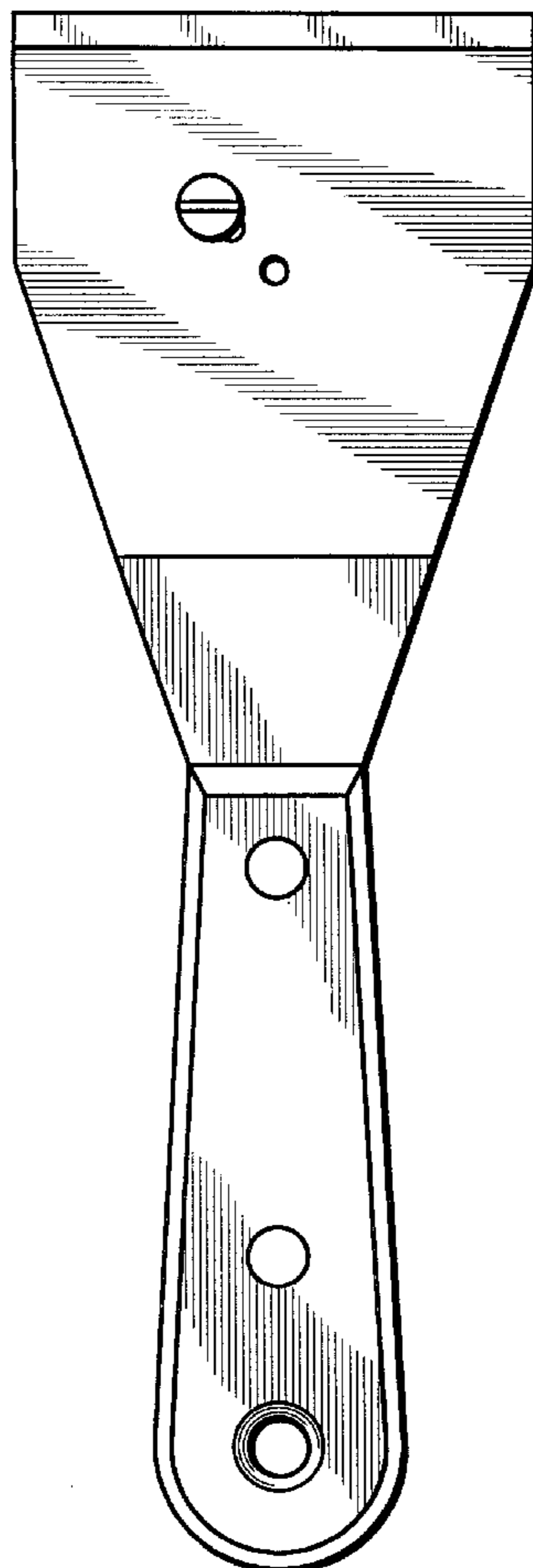
FIG. 2 is a left side elevational thereof, the opposite side being a mirror image to the side shown.

FIG. 3 is a rear elevational thereof.

FIG. 4 is a bottom plan view thereof; and,

FIG. 5 is a top plan view thereof.

1 Claim, 1 Drawing Sheet



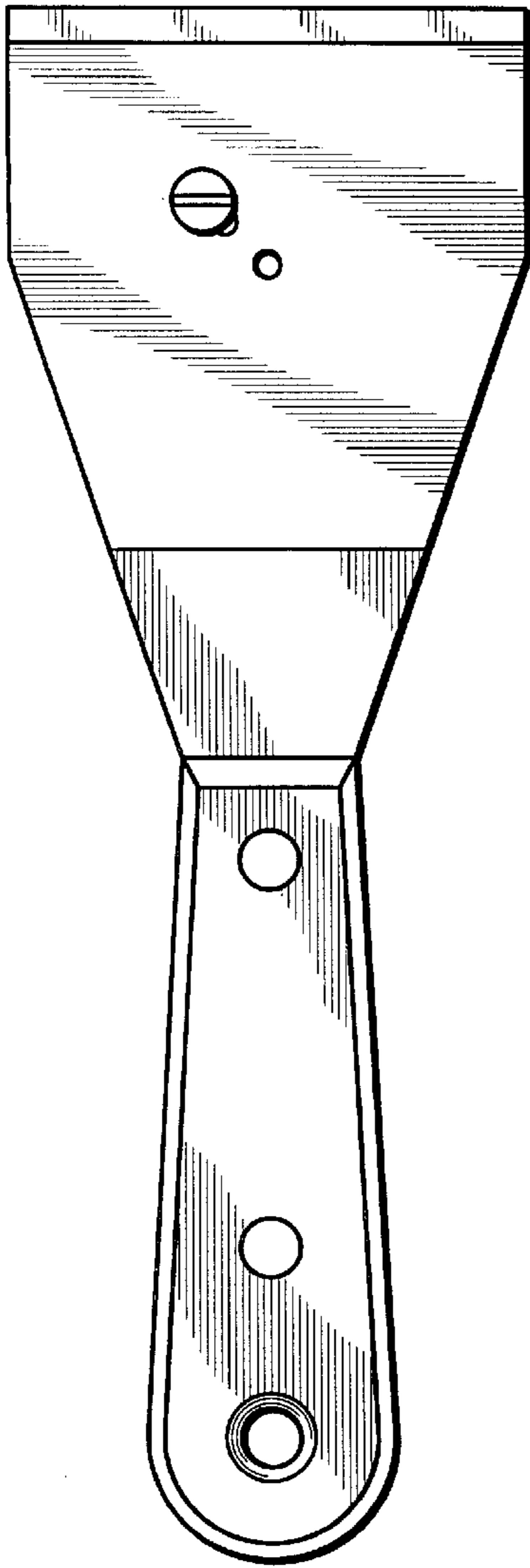


Fig.1

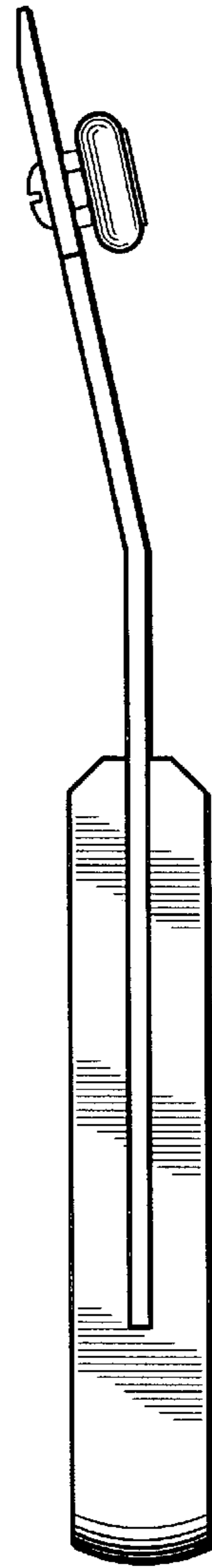


Fig.2

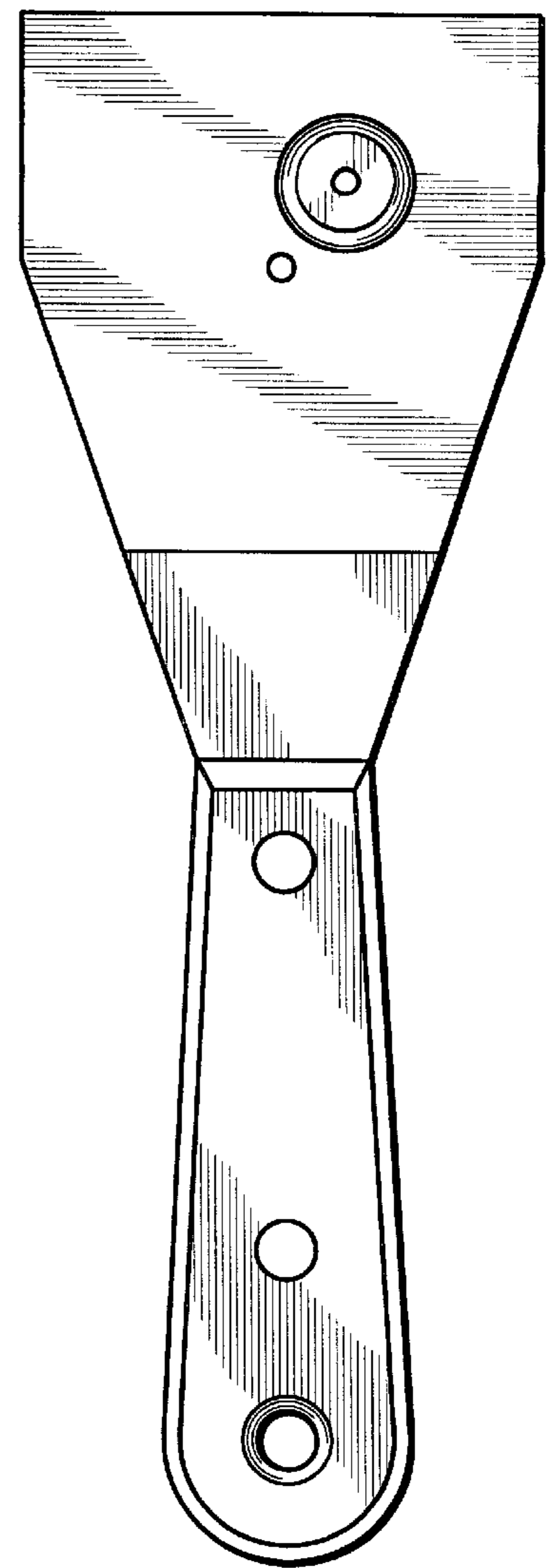


Fig.3

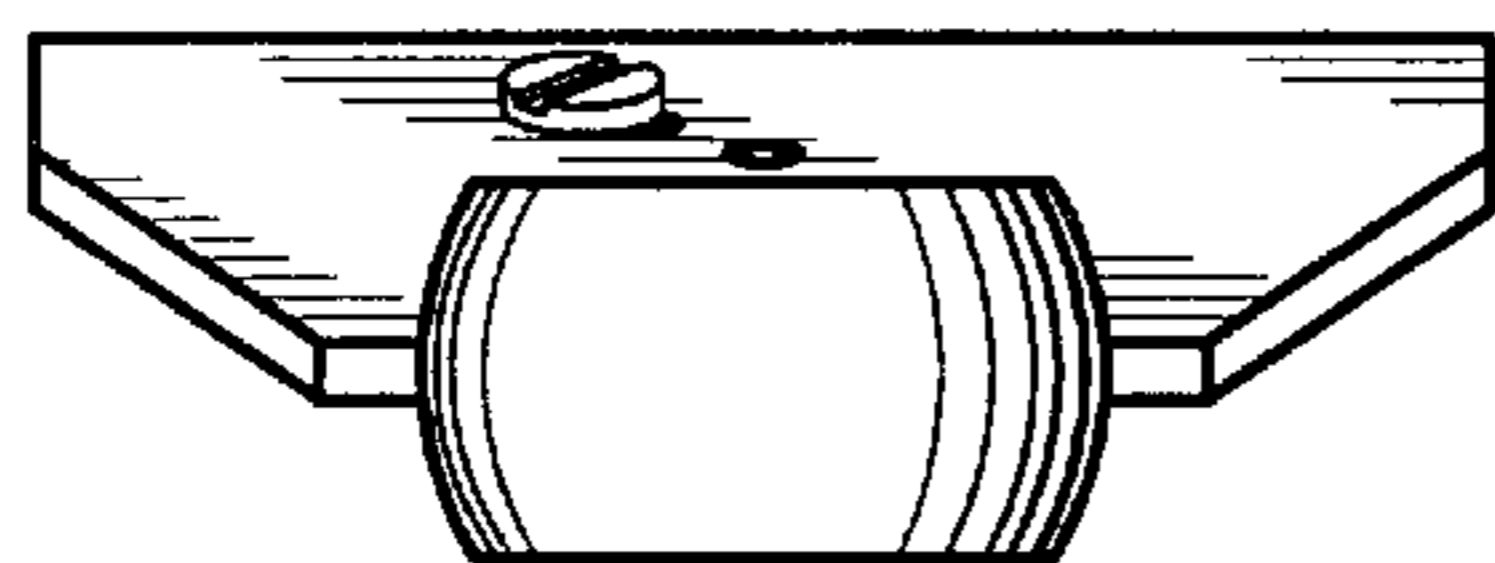


Fig.4

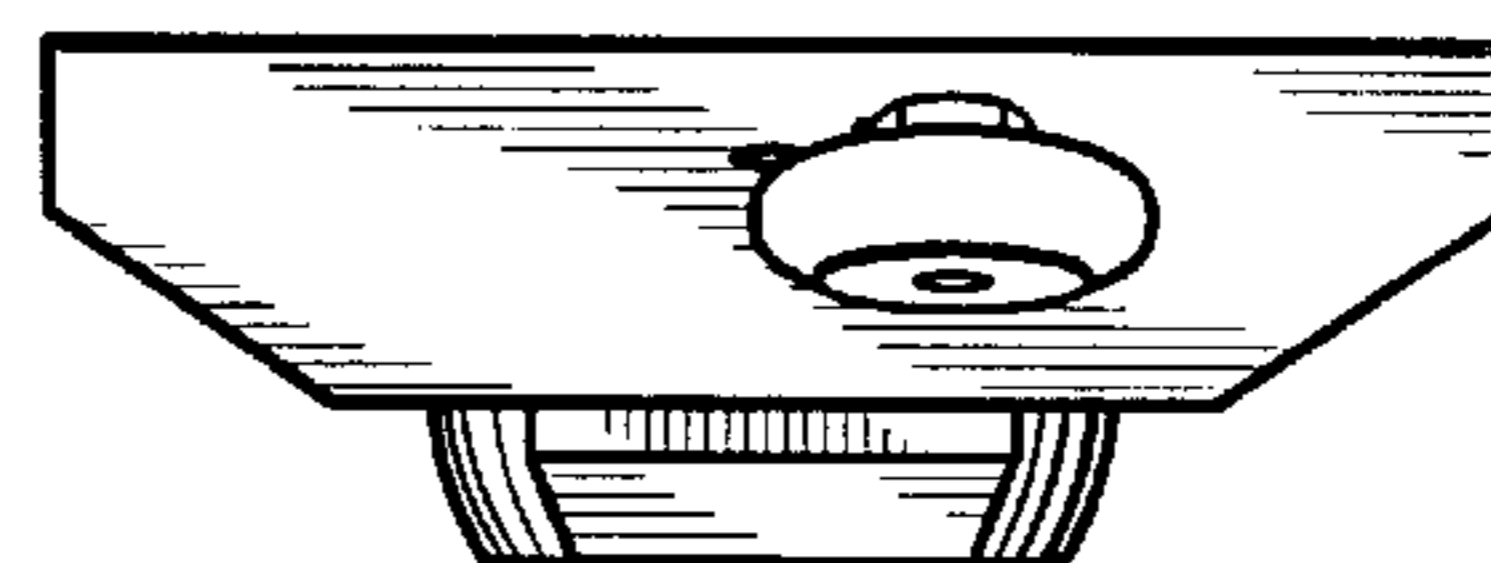


Fig.5