



US00D450985B1

(12) **United States Design Patent**  
**Kiehl**

(10) **Patent No.:** **US D450,985 S**

(45) **Date of Patent:** **\*\* Nov. 27, 2001**

(54) **EYELET SETTING TOOL SHANK END FOR BEEHIVE CONSTRUCTION**

4,355,466 \* 10/1982 Quiring ..... 30/358  
4,535,540 \* 8/1985 Morgan et al. .... 30/358

(76) **Inventor:** **Gary Lynn Kiehl**, P.O. Box 3758,  
Pasco, WA (US) 99302

\* cited by examiner

(\*\*) **Term:** **14 Years**

*Primary Examiner*—Philip S. Hyder  
(74) *Attorney, Agent, or Firm*—Wells, St. John, Roberts,  
Gregory & Matkin P.S.

(21) **Appl. No.:** **29/112,036**

(57) **CLAIM**

(22) **Filed:** **Oct. 8, 1999**

The ornamental design for an eyelet setting tool shank end for beehive construction, as shown and described.

(51) **LOC (7) Cl.** ..... **08-05**

**DESCRIPTION**

(52) **U.S. Cl.** ..... **D8/14; D8/86; D8/47**

(58) **Field of Search** ..... D8/14, 82, 47,  
D8/86; 81/488, 44; 7/170; 227/51, 54, 55,  
76; 30/358

FIG. 1 is a side elevation view of an eyelet setting tool shank end for beehive construction showing my new design, the dashed line showing indicating environment only and not comprising part of the present design;

(56) **References Cited**

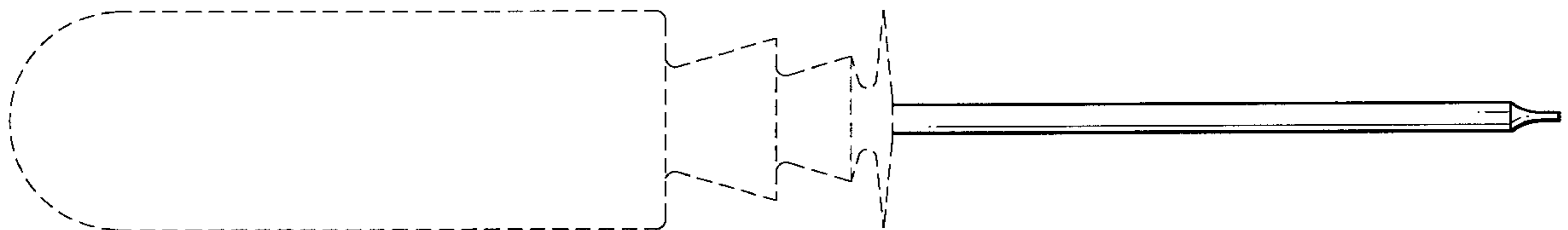
**U.S. PATENT DOCUMENTS**

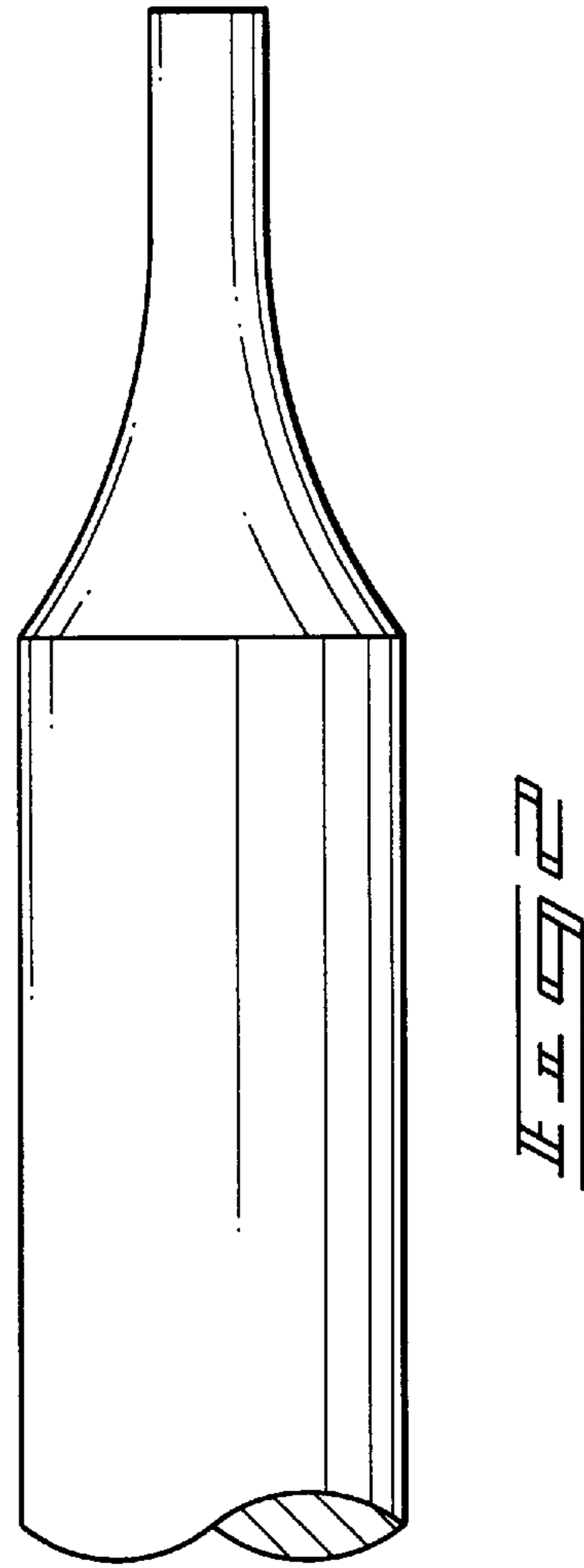
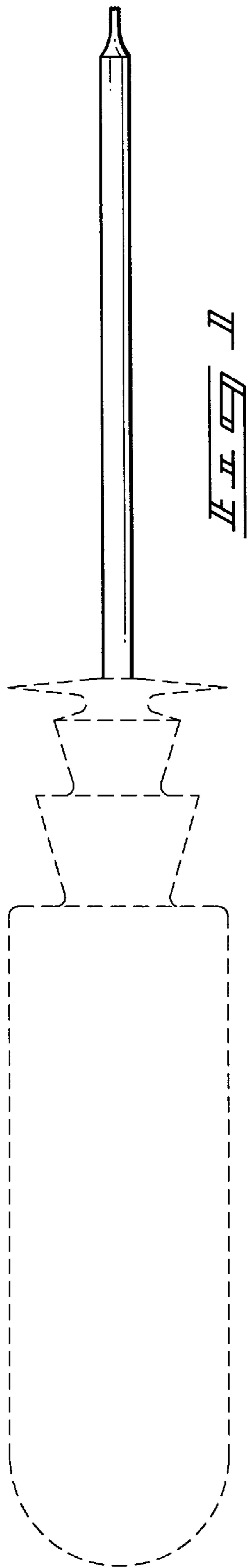
D. 297,400	*	8/1988	Oakes	.....	D8/47
D. 371,302	*	7/1996	Spirer	.....	D8/47
2,224,892	*	12/1940	Allen	.....	7/170
3,940,590	*	2/1976	Young et al.	.	
3,940,970	*	3/1976	Terral et al.	.....	227/52
3,984,041	*	10/1976	LePage et al.	.....	227/76
4,107,842	*	8/1978	MacKeigan	.....	30/358

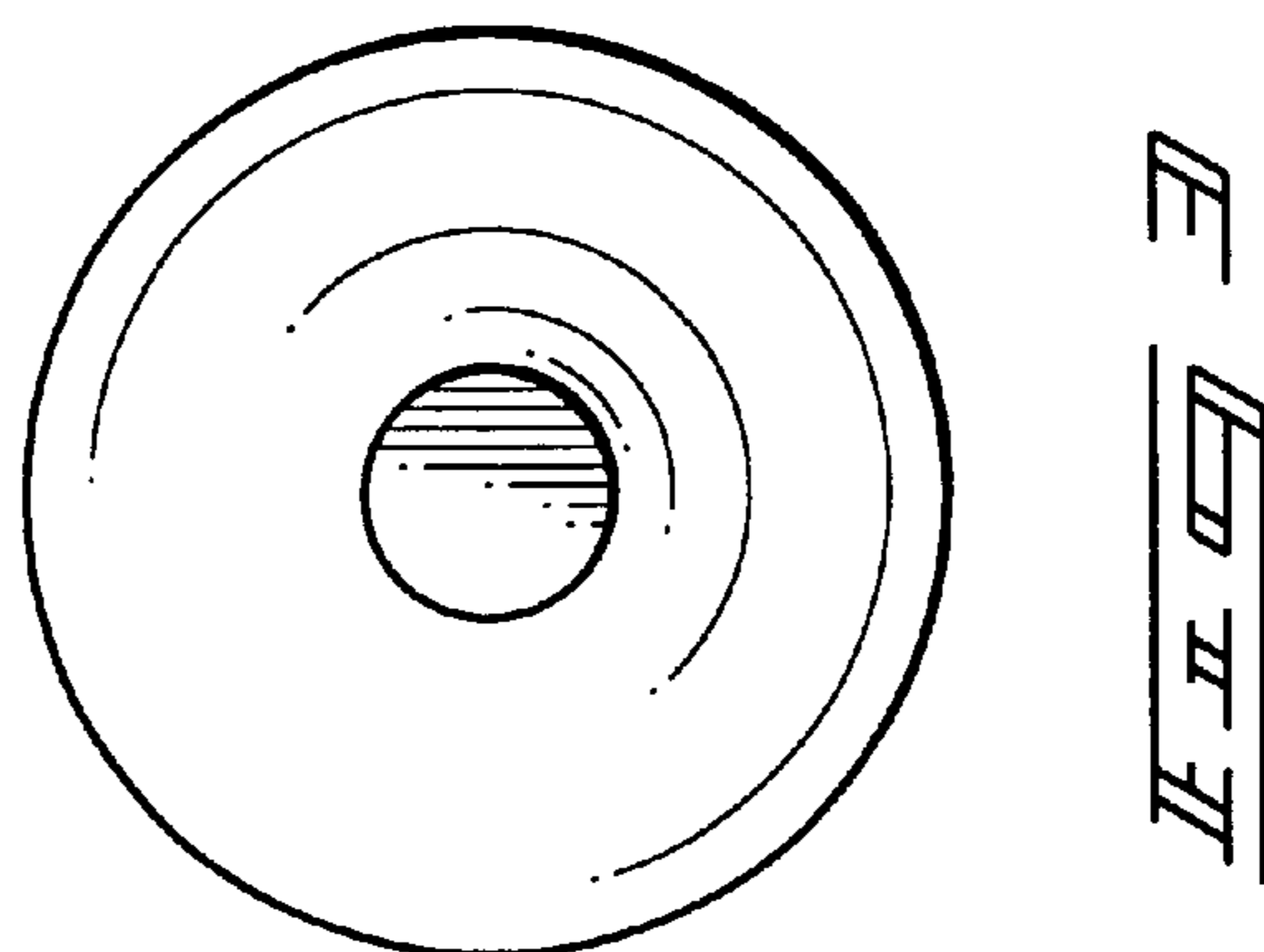
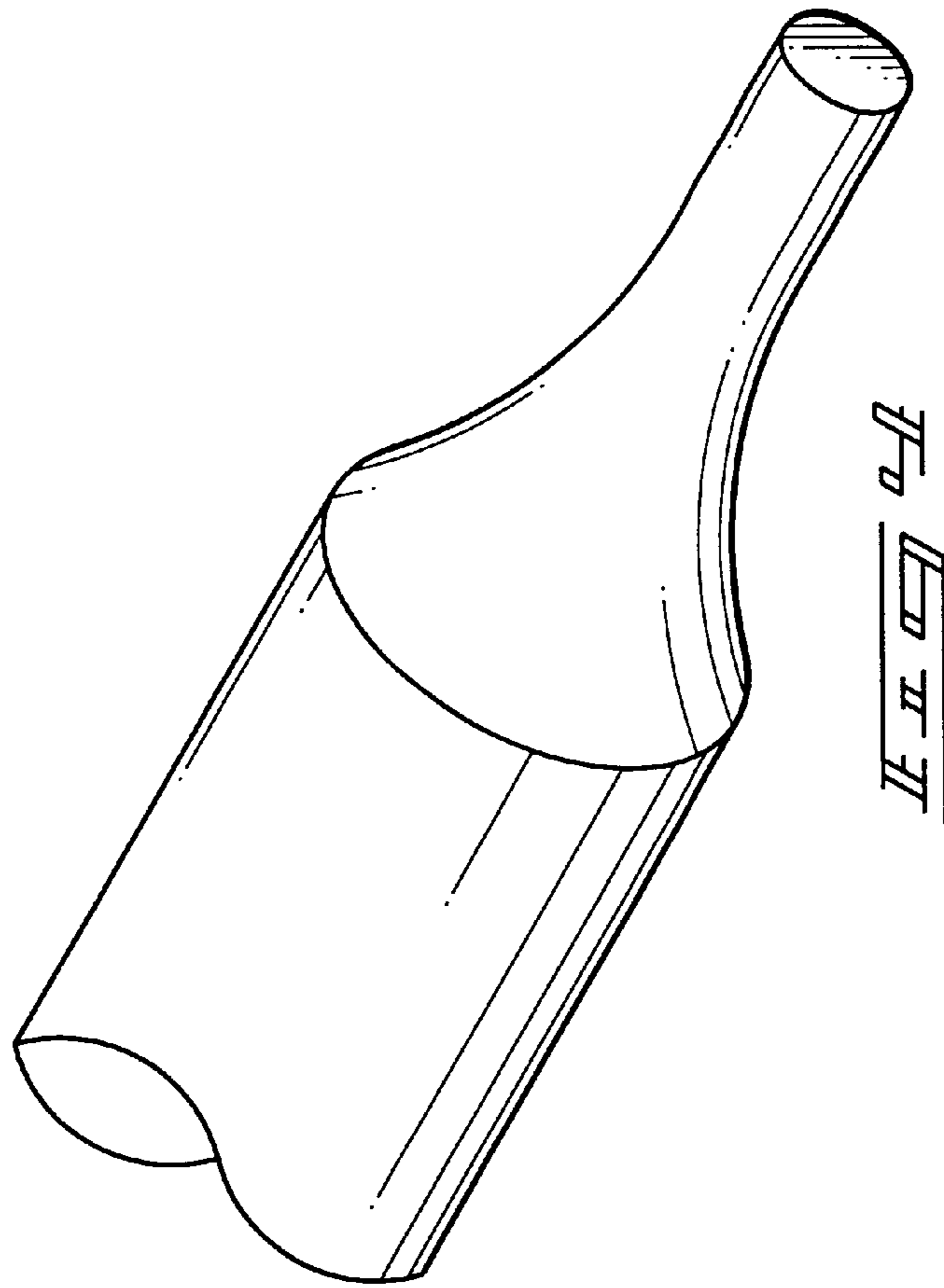
FIG. 2 is an enlarged fragmented view thereof;  
FIG. 3 is an enlarged end view as seen from the right in FIG. 2;

FIG. 4 is an enlarged fragmented view thereof; and,  
FIG. 5 is a side elevation view thereof; the dashed line showing indicating operational environment not comprising any part of the claimed design.

**1 Claim, 3 Drawing Sheets**







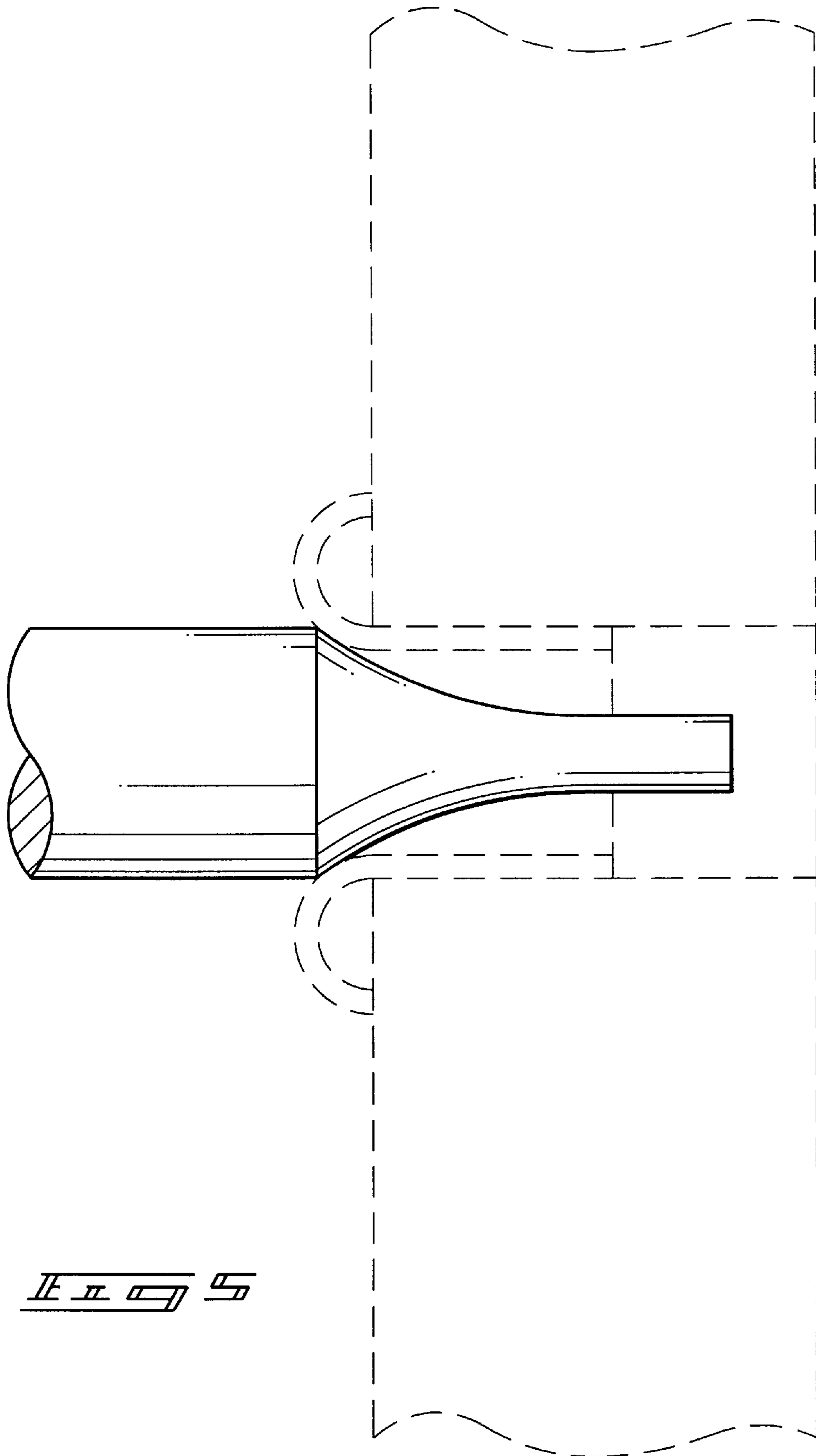


FIG. 5