



US00D450981B1

(12) **United States Design Patent**
Kaposi

(10) **Patent No.:** **US D450,981 S**

(45) **Date of Patent:** **** Nov. 27, 2001**

- (54) **HANDLE FOR A KITCHEN TOOL**
- (75) Inventor: **Sascha Kaposi**, Seattle, WA (US)
- (73) Assignee: **Progressive International Corp.**, Kent, WA (US)
- (**) Term: **14 Years**
- (21) Appl. No.: **29/134,794**
- (22) Filed: **Dec. 29, 2000**
- (51) **LOC (7) Cl.** **07-04**
- (52) **U.S. Cl.** **D7/395**
- (58) **Field of Search** D7/393-395, 401.2, D7/682-697; D8/107, DIG. 4, DIG. 7; 16/110.1, 430, 431, DIG. 12

(56) **References Cited**
U.S. PATENT DOCUMENTS

- D. 420,887 * 2/2000 Chen D8/107
- 1,079,688 * 11/1913 Best 16/431

5,964,009 * 10/1999 Hoepfl 16/430
* cited by examiner

Primary Examiner—Terry A. Wallace
(74) *Attorney, Agent, or Firm*—John R. Benefiel

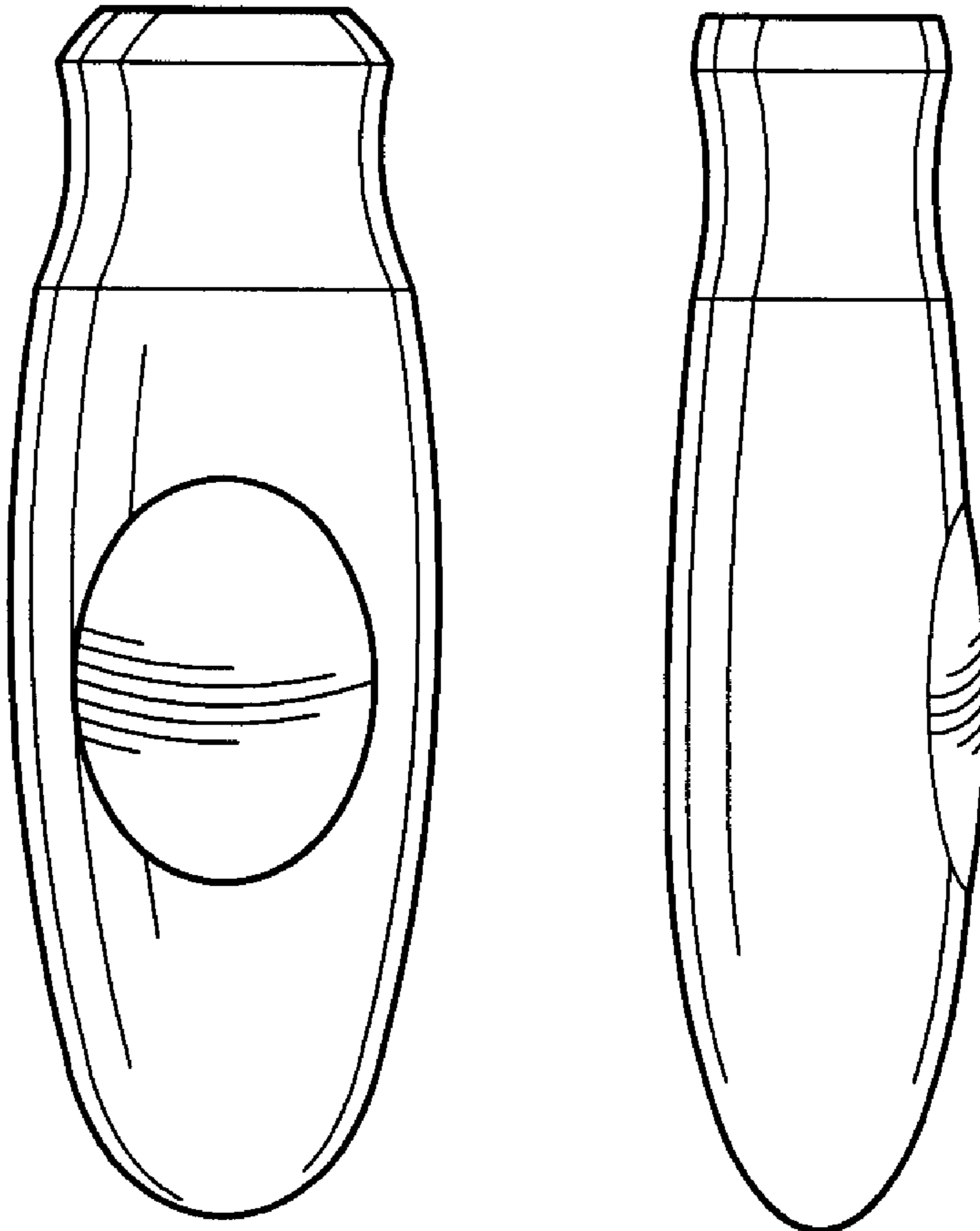
(57) **CLAIM**

The ornamental design for a handle for a kitchen tool, as shown and described.

DESCRIPTION

FIG. 1 is a perspective view of a kitchen tool handle according to the present invention, with an avocado tool shown in phantom lines for illustrative purposes. FIG. 2 is a front view of the handle shown in FIG. 1. FIG. 3 is a rear view of the handle shown in FIGS. 1 and 2. FIG. 4 is a side view of the handle shown in FIGS. 1-3, each side being identical. FIG. 5 is a bottom end view of the handle shown in FIGS. 1-4; and, FIG. 6 is a top end view of the handle shown in FIGS. 1-5.

1 Claim, 1 Drawing Sheet



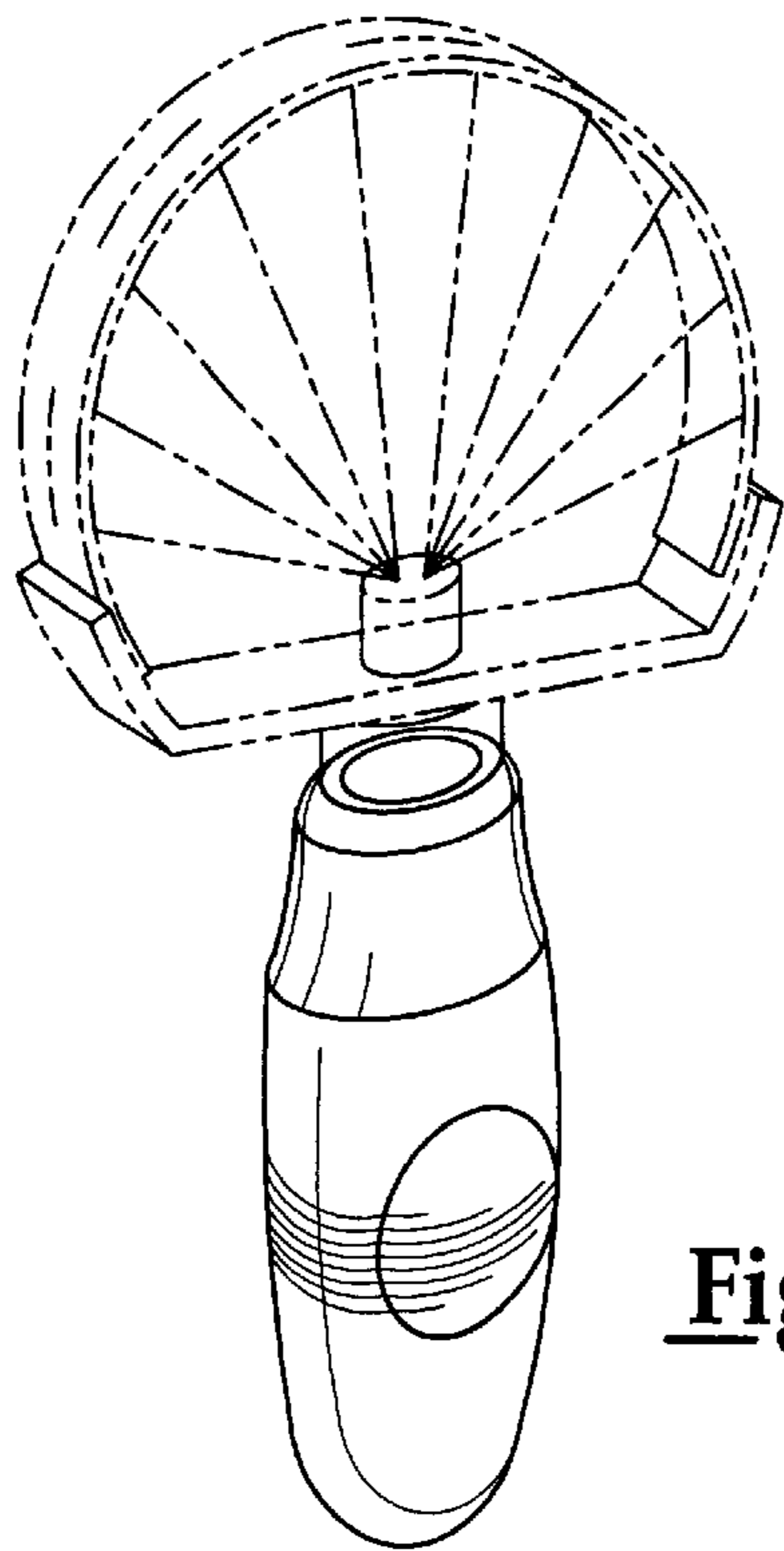


Figure 1

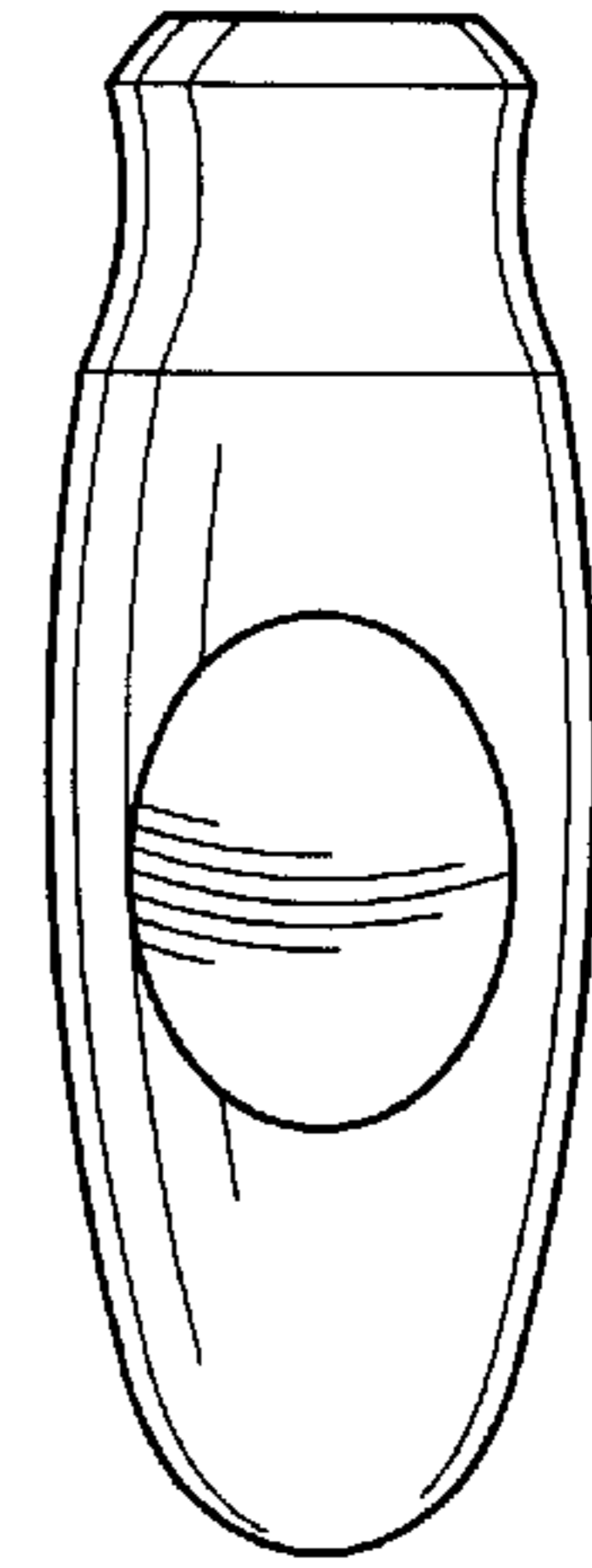


Figure 2

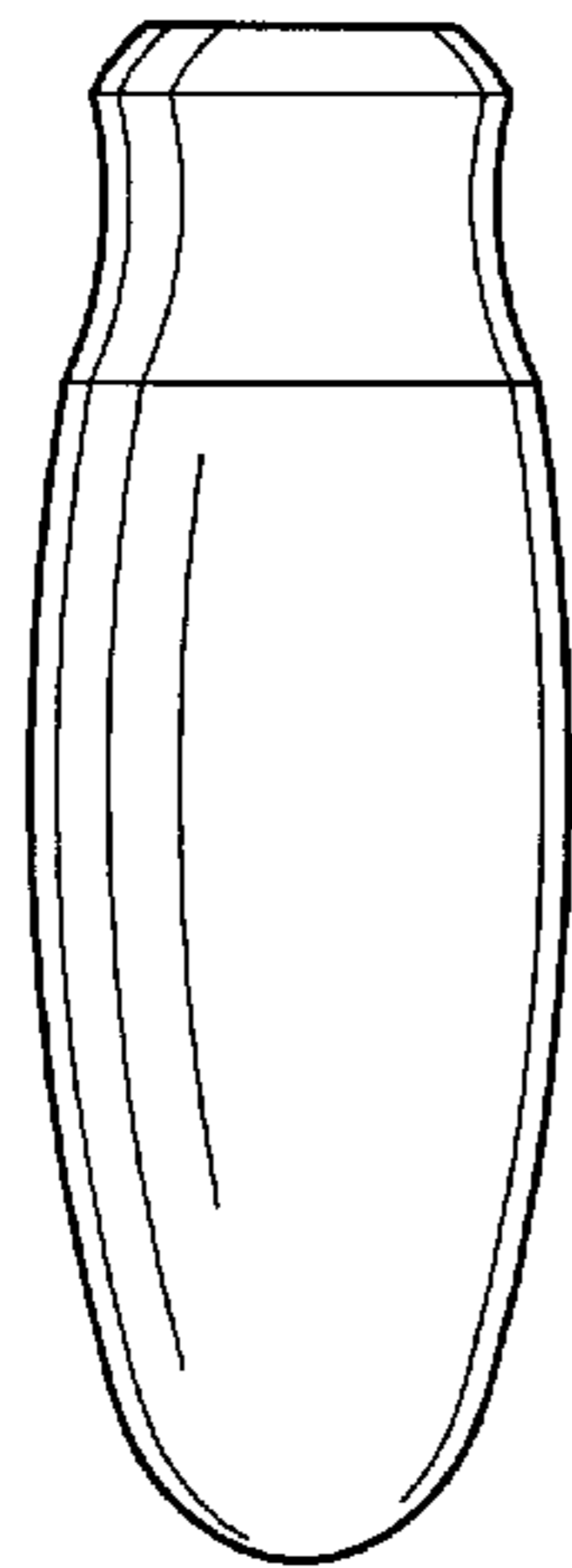


Figure 3



Figure 4

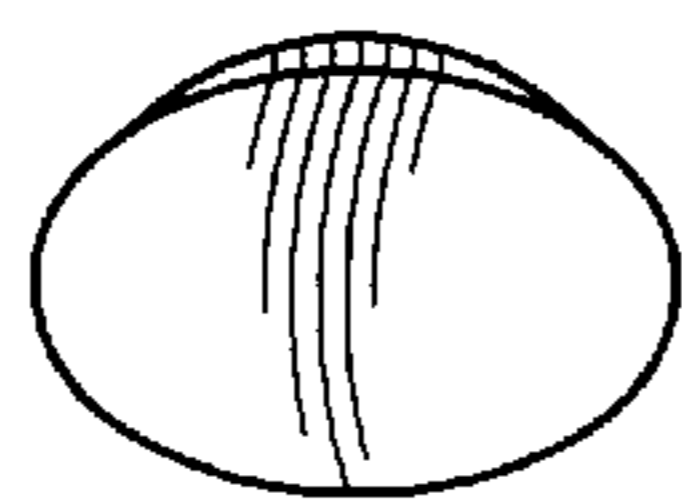


Figure 5

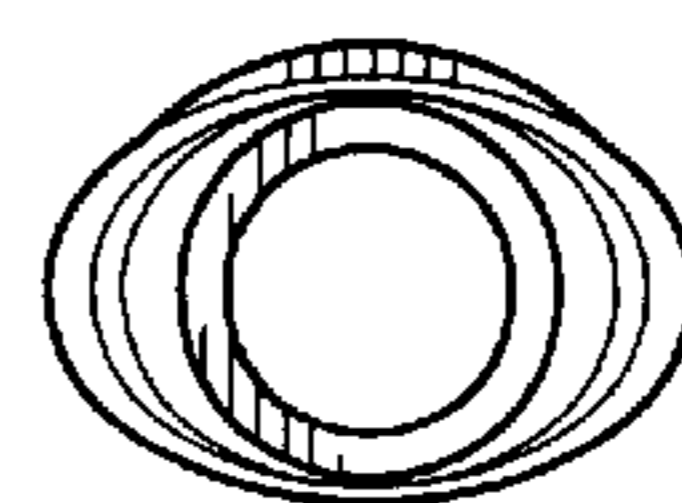


Figure 6