



US00D450979B1

(12) **United States Design Patent**
Nestro

(10) **Patent No.:** **US D450,979 S**

(45) **Date of Patent:** **** Nov. 27, 2001**

(54) **GLASS COVER**

(76) Inventor: **Richard Nestro**, 205 E. 95th St., Apt.
10J, New York, NY (US) 10128

(**) Term: **14 Years**

(21) Appl. No.: **29/124,706**

(22) Filed: **Jun. 9, 2000**

(51) **LOC (7) Cl.** **07-99**

(52) **U.S. Cl.** **D7/392.1; D7/396.2; D9/451**

(58) **Field of Search** D7/391, 392.1,
D7/511, 514, 515, 518, 521, 522, 396.2;
D9/445, 451, 443; D12/213; 220/376, 713;
215/230, 250, 334, 272, 229

3,752,320	8/1973	Biro .
3,985,346	10/1976	Merz .
4,428,490	1/1984	Holloway .
5,058,737	10/1991	Patterson et al. .
5,102,002	4/1992	Whitley .
5,275,277	1/1994	Gallegos .
5,624,177	4/1997	Rosaia .
5,704,510	1/1998	Feltman, III et al. .

* cited by examiner

Primary Examiner—M. N. Pandozzi

(74) *Attorney, Agent, or Firm*—Keusey, Tutunjian & Bitetto

(57) **CLAIM**

The ornamental design for a glass cover, as shown and described.

DESCRIPTION

FIG. 1 is a perspective view of the glass cover showing my new design;

FIG. 2 is a front view thereof;

FIG. 3 is a right view thereof;

FIG. 4 is a left side view thereof;

FIG. 5 is a bottom view thereof; and,

FIG. 6 is a top view thereof.

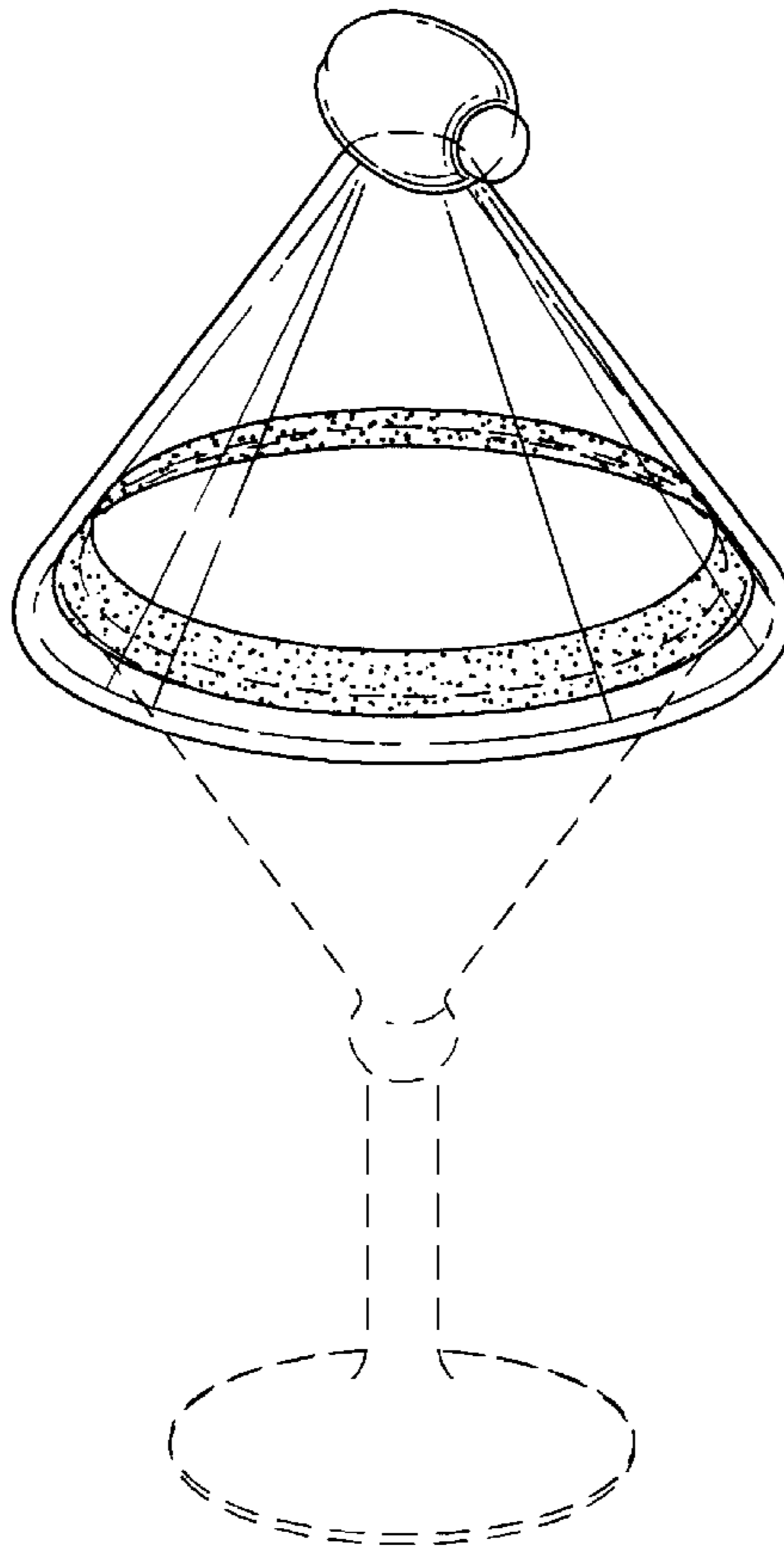
The broken lines are for illustrative purposes only and form no part of the claimed design.

(56) **References Cited**

U.S. PATENT DOCUMENTS

D. 4,419	*	10/1870	Ballinger	D7/392.1
D. 180,546	*	7/1957	Coon	D7/391
D. 235,960	*	7/1975	Widdows	D7/391
D. 249,624	*	9/1978	Solomon	D7/391
D. 407,947	*	4/1999	Barth	D7/522
D. 418,102	*	12/1999	Schehr	D12/213
D. 438,754	*	3/2001	Mendelson	D7/391
D. 440,155	*	4/2001	Schaefer	D9/451
445,057		1/1891	Harroun	.	

1 Claim, 2 Drawing Sheets



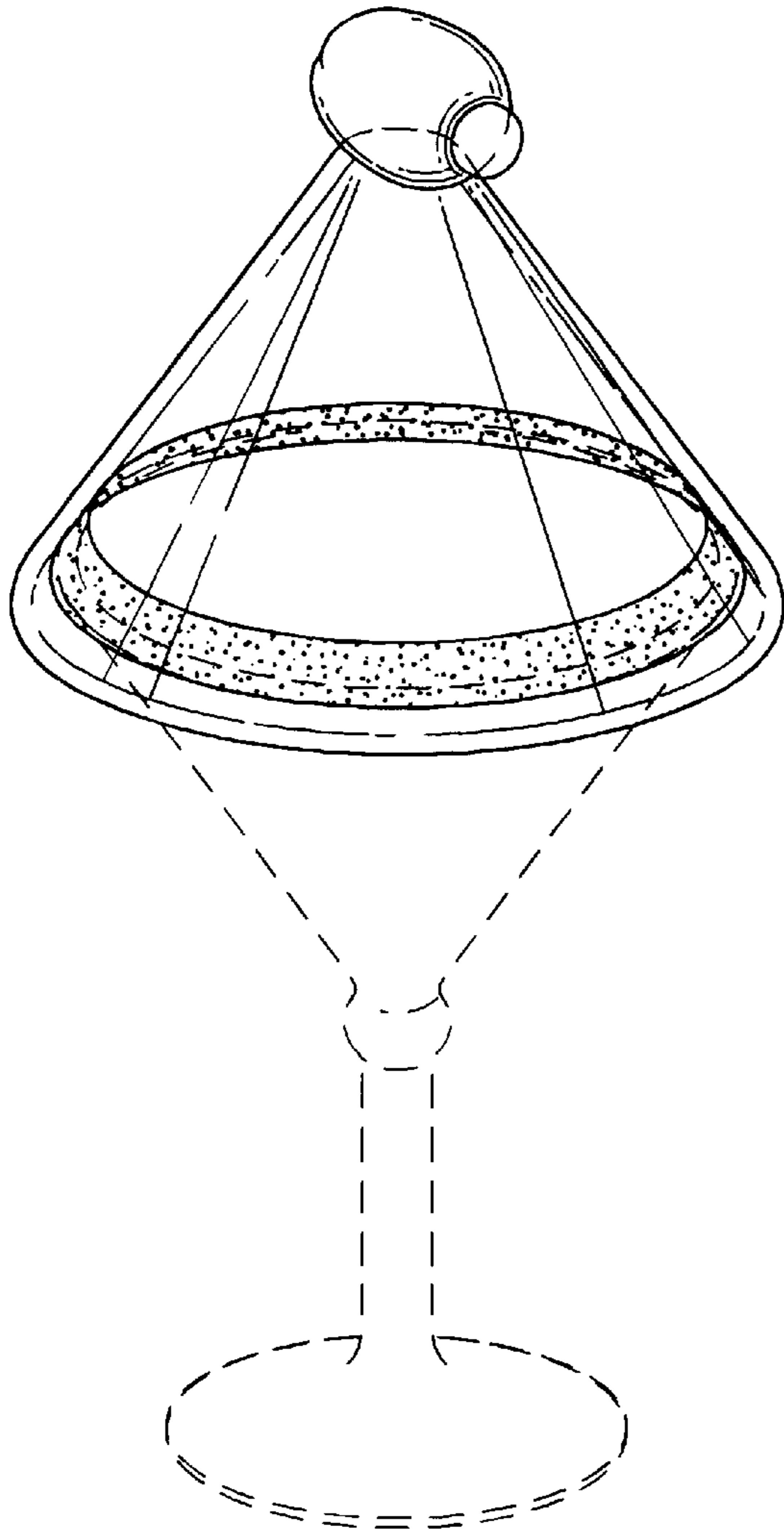


Fig. 1

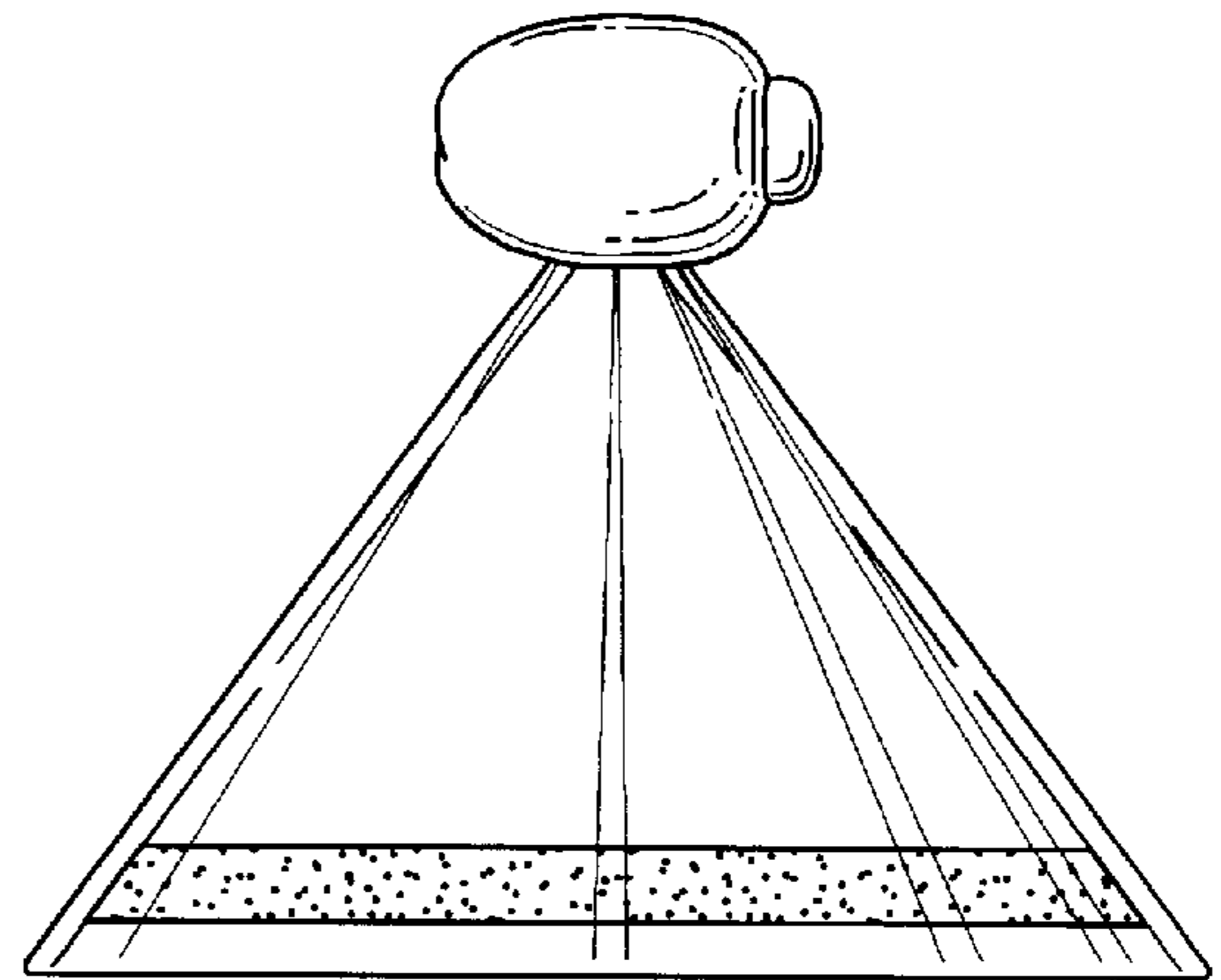


Fig. 2

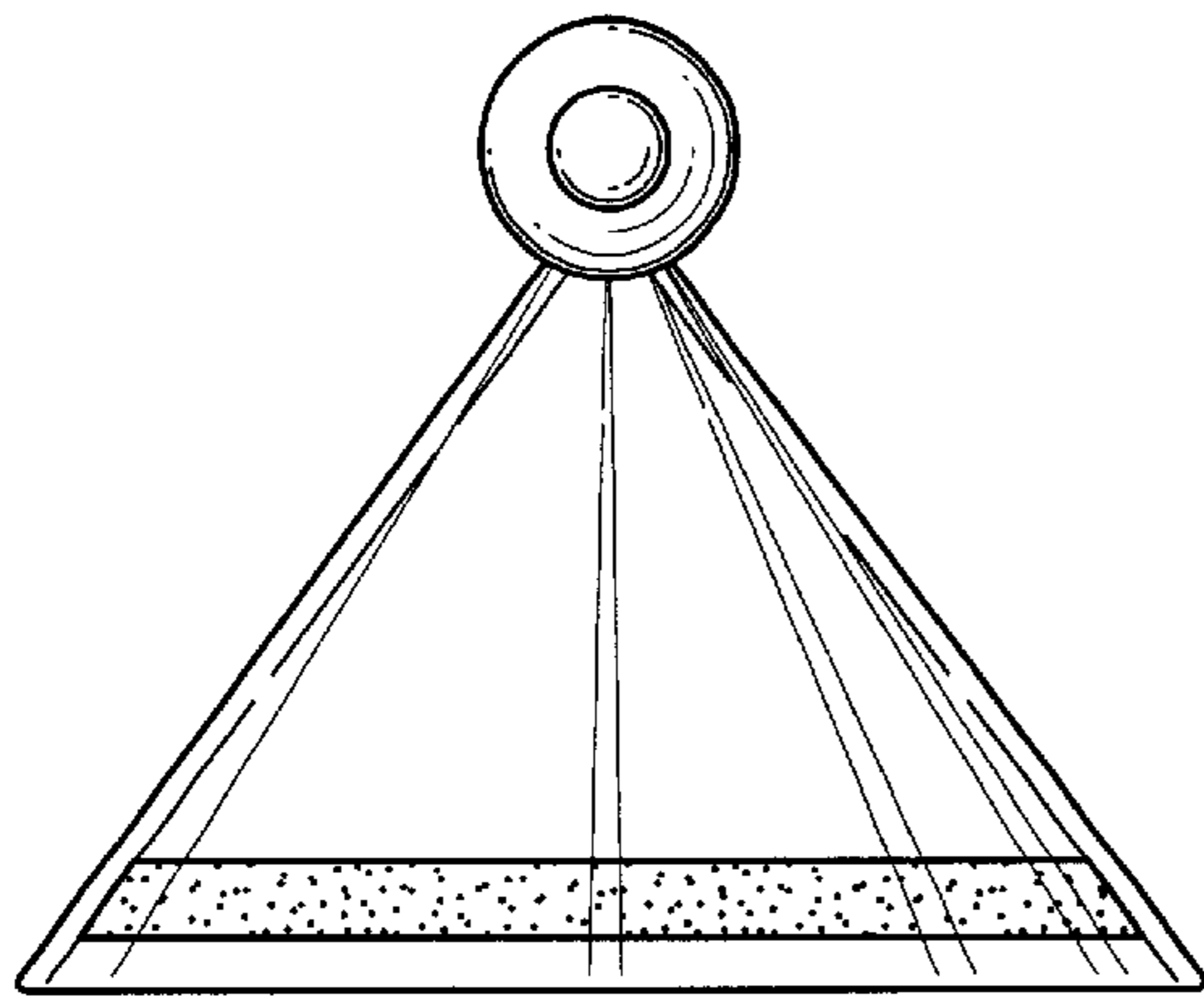


Fig. 3

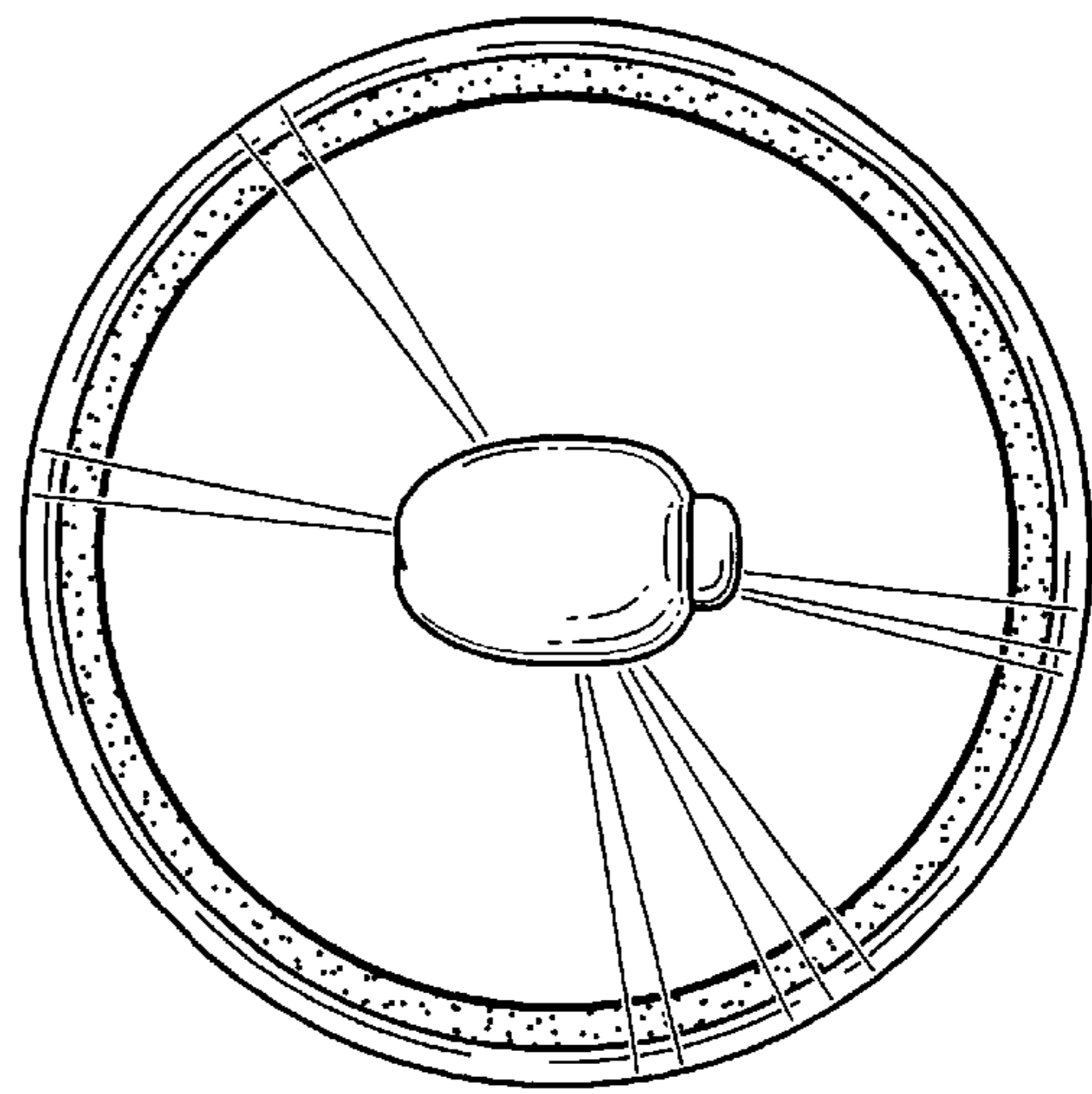


Fig. 5

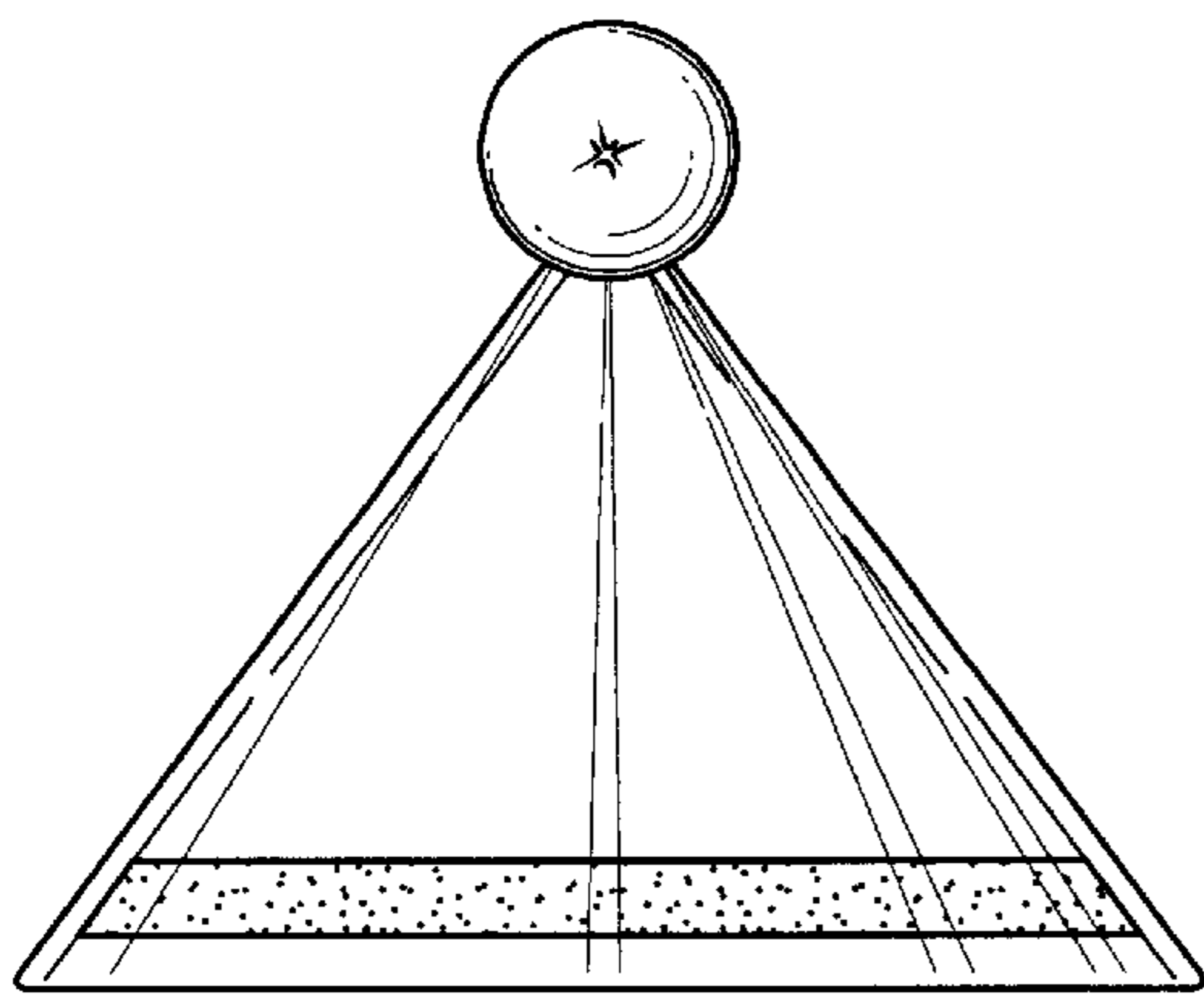


Fig. 4

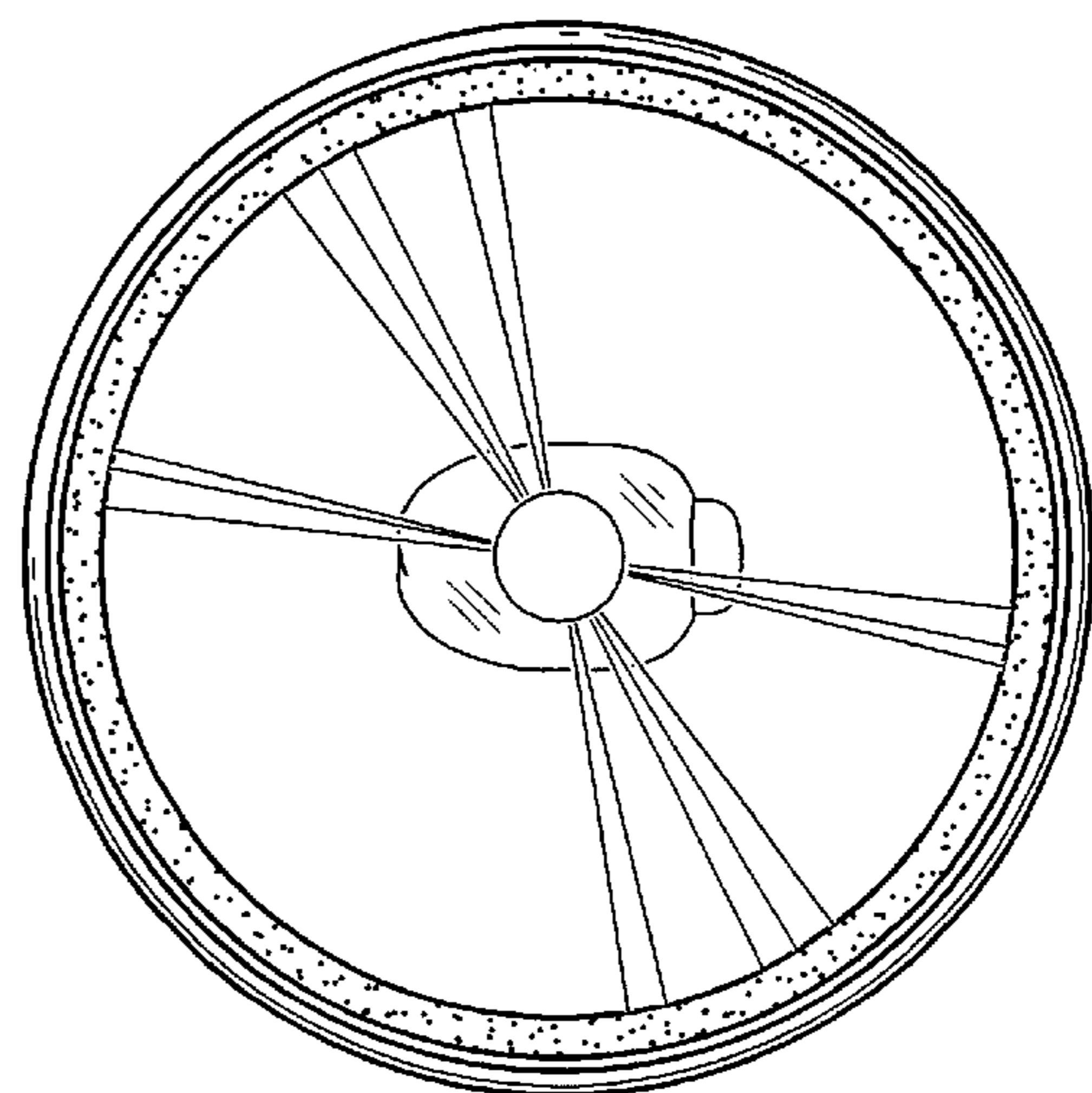


Fig. 6