



US00D450976B1

(12) **United States Design Patent**
Mosher

(10) **Patent No.:** **US D450,976 S**

(45) **Date of Patent:** **** Nov. 27, 2001**

(54) **STOVE**

(75) Inventor: **Robert Mosher**, Wichita, KS (US)

(73) Assignee: **The Coleman Company, Inc.**, Wichita, KS (US)

(**) Term: **14 Years**

(21) Appl. No.: **29/127,120**

(22) Filed: **Jul. 31, 2000**

(51) **LOC (7) Cl.** **07-02**

(52) **U.S. Cl.** **D7/337**

(58) **Field of Search** D7/332-337, 402-404,
D7/406; 126/31 R, 40, 50, 9 R, 25 R, 25 A,
25 AA, 29-30, 37 R, 38, 332

(56) **References Cited**

U.S. PATENT DOCUMENTS

| | | | | | |
|------------|---|---------|----------------|-------|--------|
| D. 216,233 | * | 12/1969 | Gruver et al. | | D7/337 |
| D. 226,872 | * | 5/1973 | Benson | | D7/337 |
| D. 227,850 | * | 7/1973 | Benson | | D7/337 |
| D. 231,183 | * | 4/1974 | Avant et al. | | D7/337 |
| D. 245,220 | * | 8/1977 | Chan | | D7/337 |
| D. 251,893 | * | 5/1979 | Chan | | D7/337 |
| D. 251,894 | * | 5/1979 | Chan | | D7/337 |
| D. 276,303 | * | 11/1984 | Chan | | D7/337 |
| D. 291,399 | * | 8/1987 | Chan | | D7/337 |
| D. 326,792 | * | 6/1992 | Rodgers et al. | | D7/337 |
| D. 406,722 | | 3/1999 | Benton et al. | . | |
| D. 412,808 | | 8/1999 | Hinton et al. | . | |

OTHER PUBLICATIONS

Coleman Powermax 2-burner stove model 9910-750 catalog page, Jan. 1999.

* cited by examiner

Primary Examiner—Ruth McInroy

(74) *Attorney, Agent, or Firm*—Kramer Levin Naftalis & Frankel LLP

(57) **CLAIM**

The ornamental design for a stove, as shown and described.

DESCRIPTION

FIG. 1 is a front perspective view showing a first embodiment of the new design;

FIG. 2 is a side elevation view thereof;

FIG. 3 is a side elevation view thereof;

FIG. 4 is a front elevation view thereof;

FIG. 5 is a rear elevation view thereof;

FIG. 6 is a top plan view thereof;

FIG. 7 is a bottom plan view thereof;

FIG. 8 is a front perspective view thereof in a closed position;

FIG. 9 is a side elevation view thereof;

FIG. 10 is a side elevation view thereof;

FIG. 11 is a front elevation view thereof;

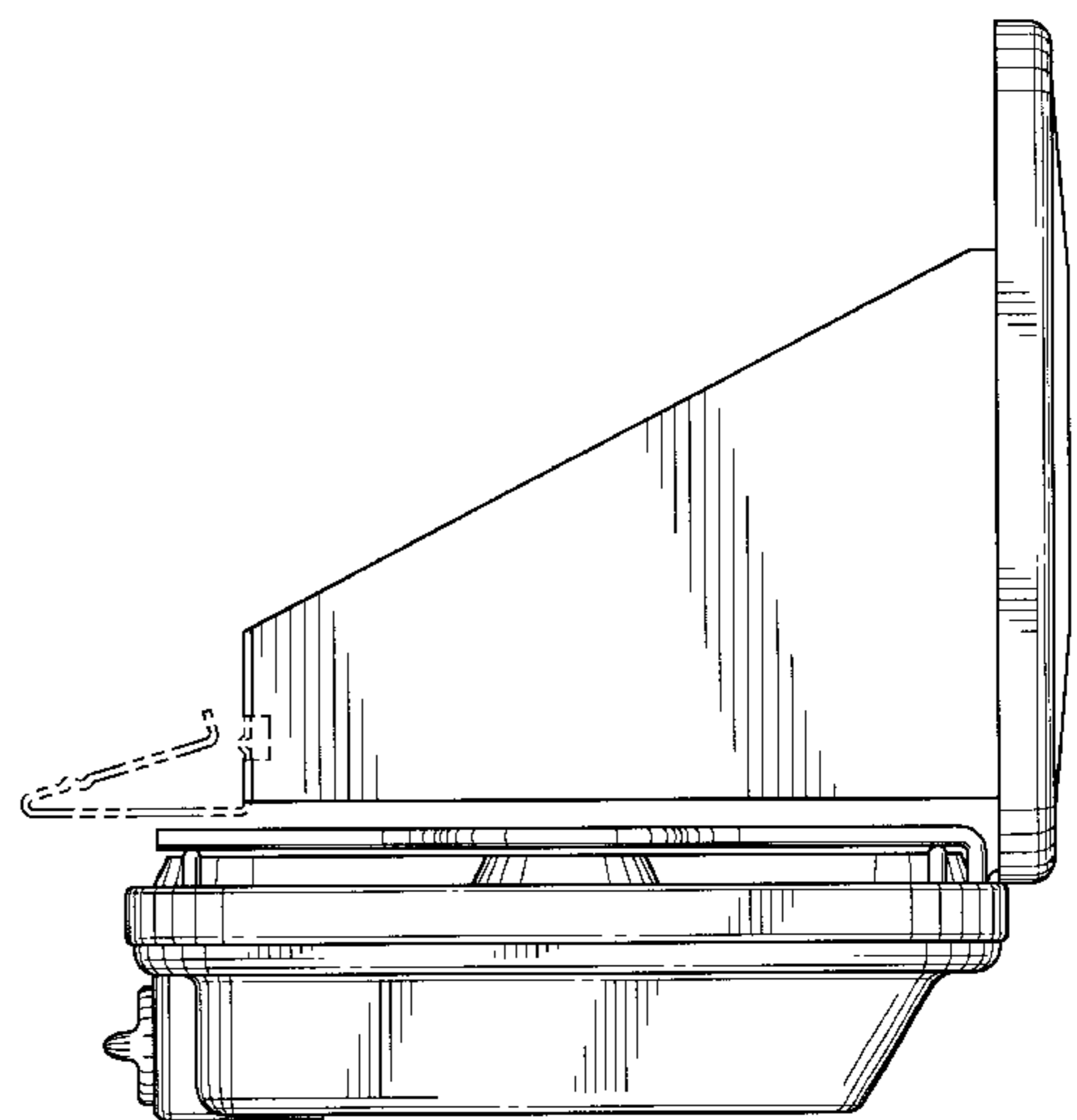
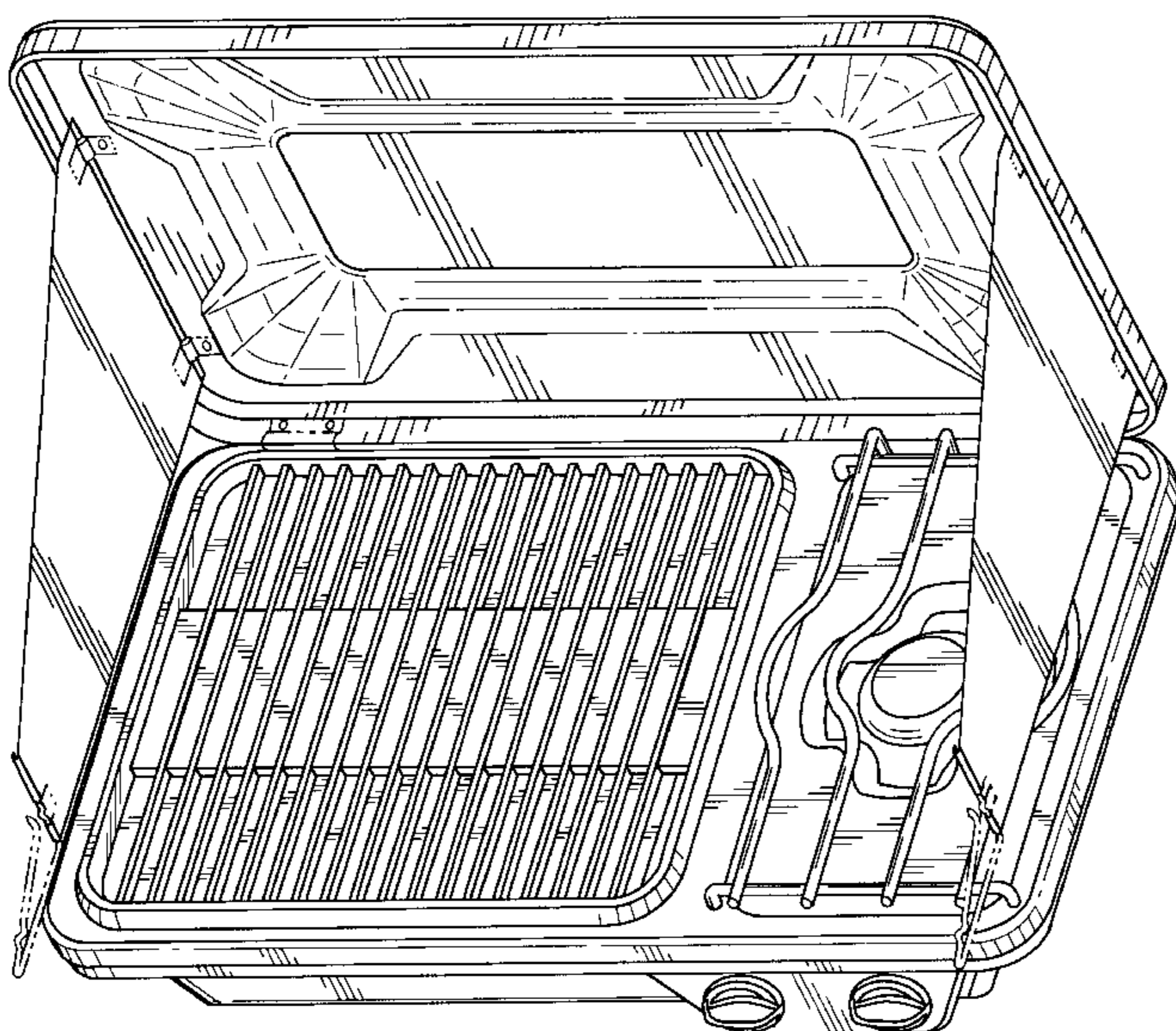
FIG. 12 is a rear elevation view thereof;

FIG. 13 is a top plan view thereof; and,

FIG. 14 is a bottom plan view thereof.

The details shown in broken lines in FIGS. 1, 2, 3, 6 and 7 are for illustrative purposes only and form no part of the claimed design. FIGS. 8-14 show the grill in a closed position.

1 Claim, 14 Drawing Sheets



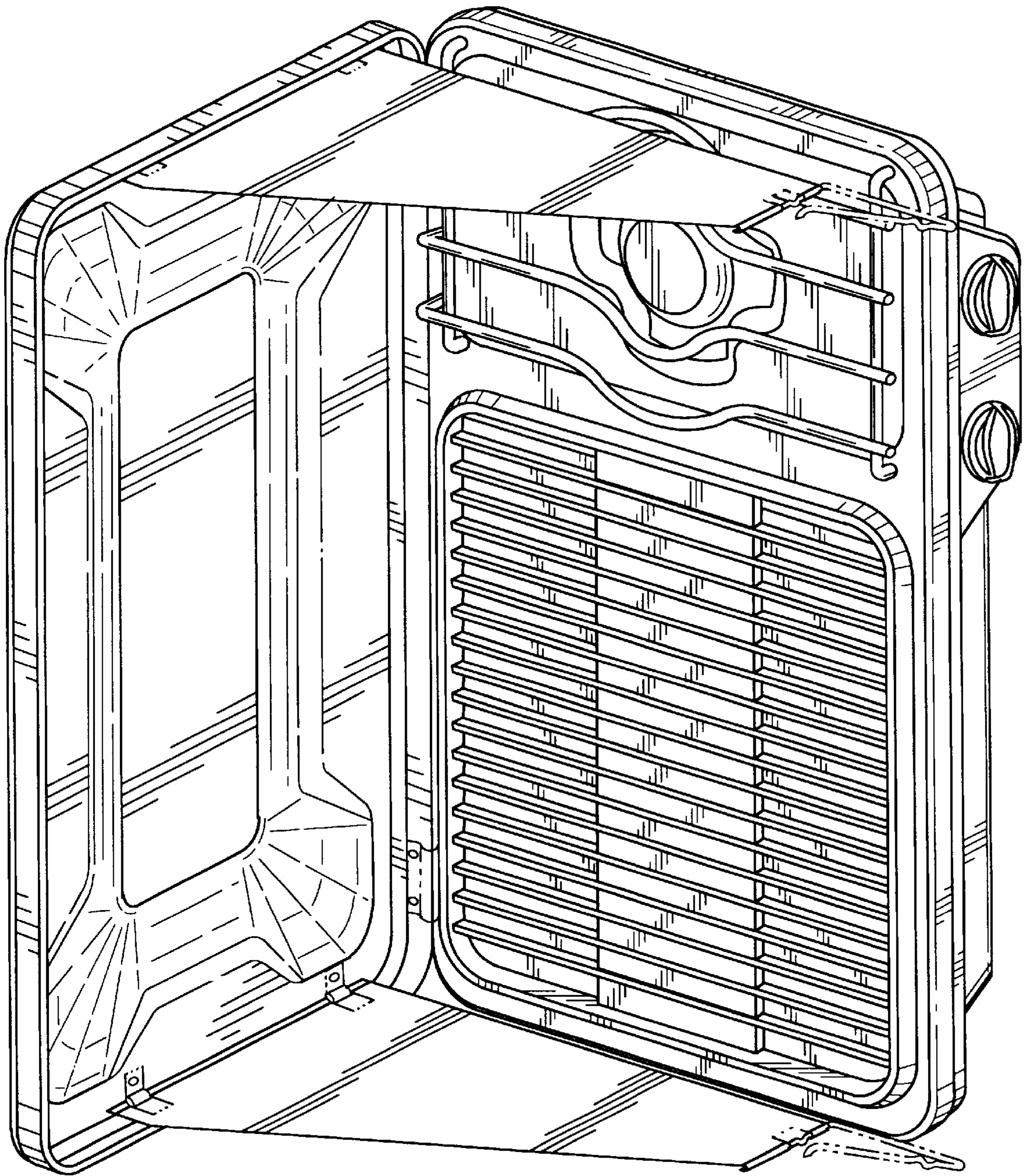


FIG. 1

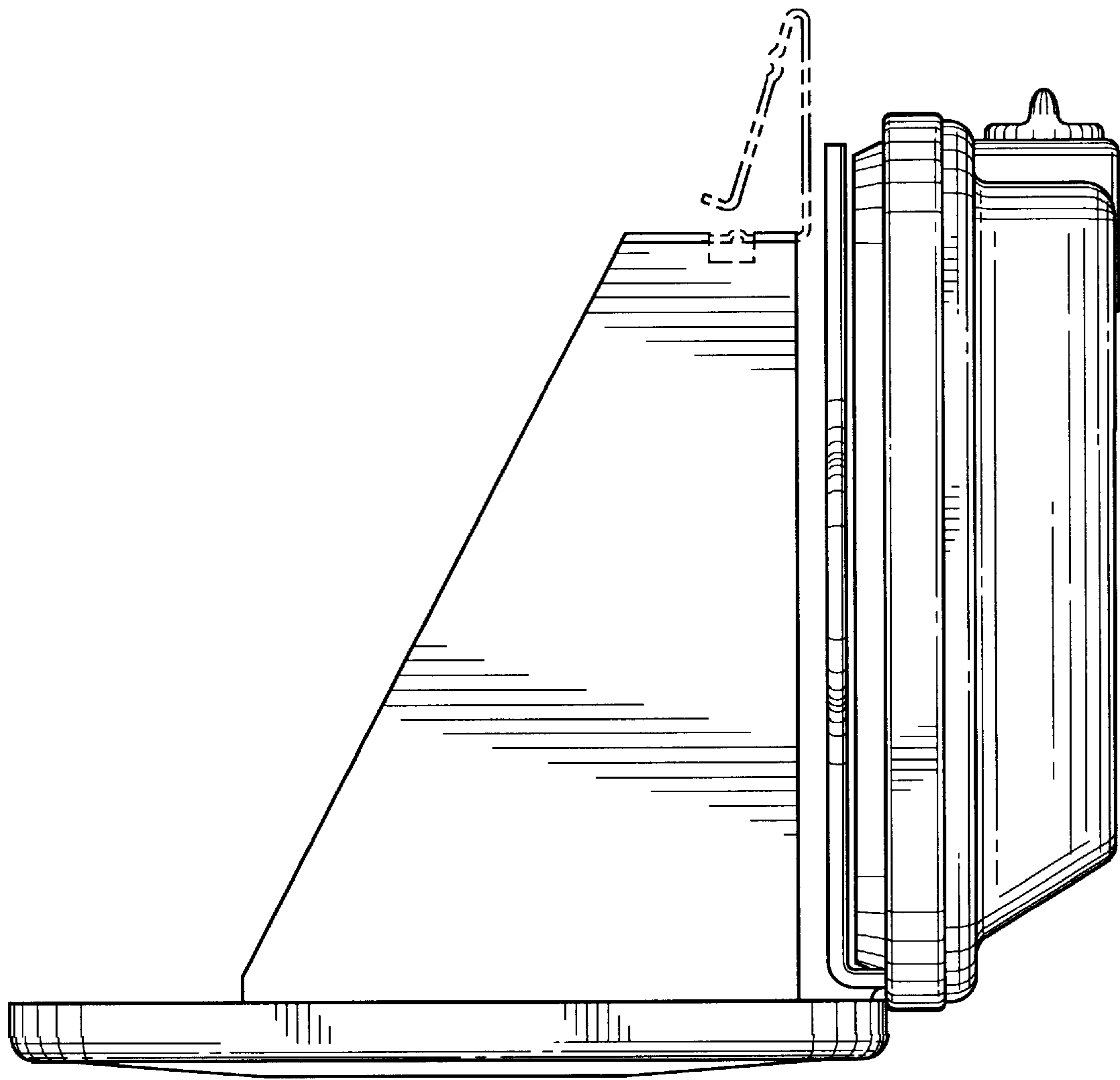


FIG. 2

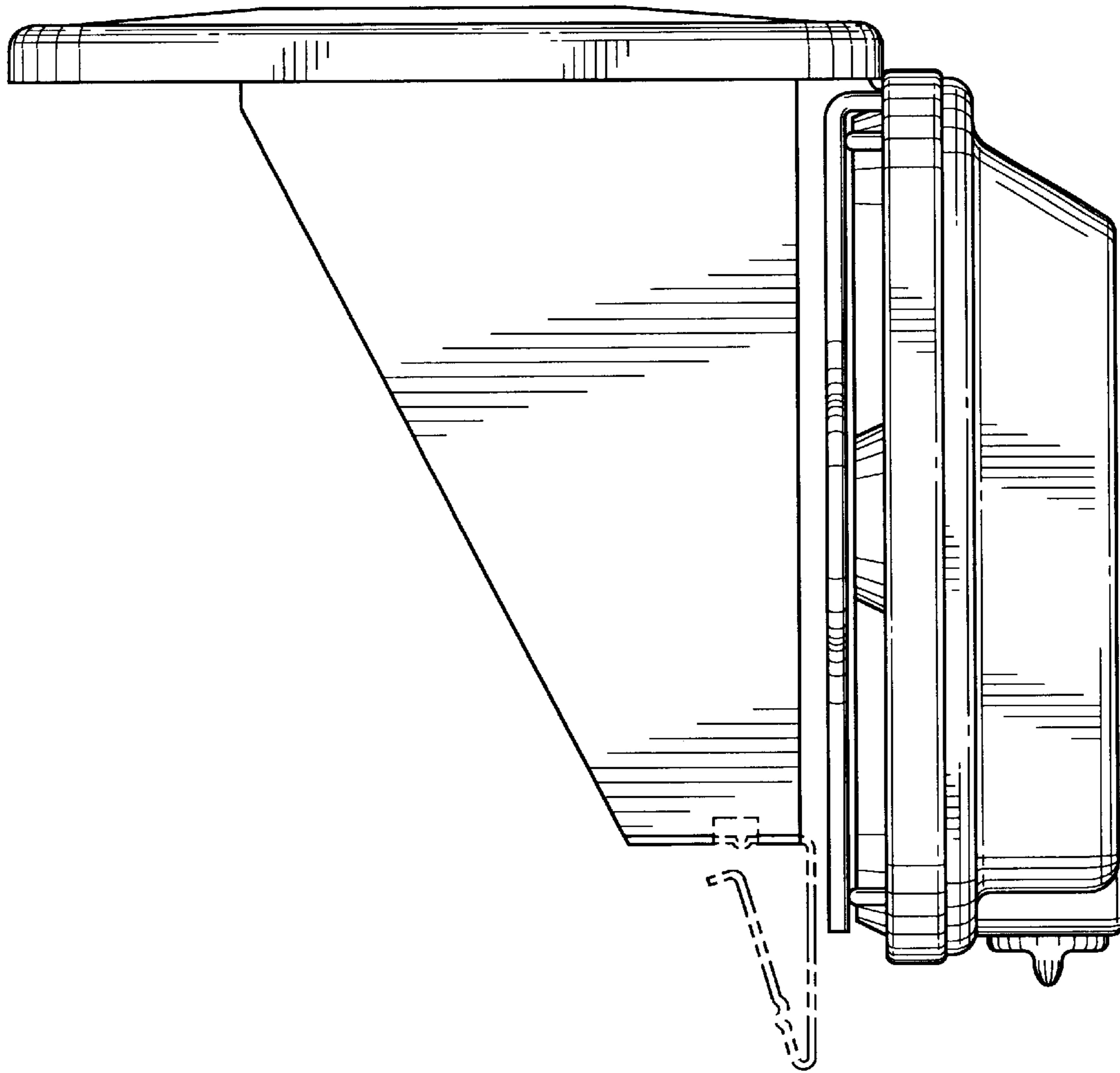


FIG. 3

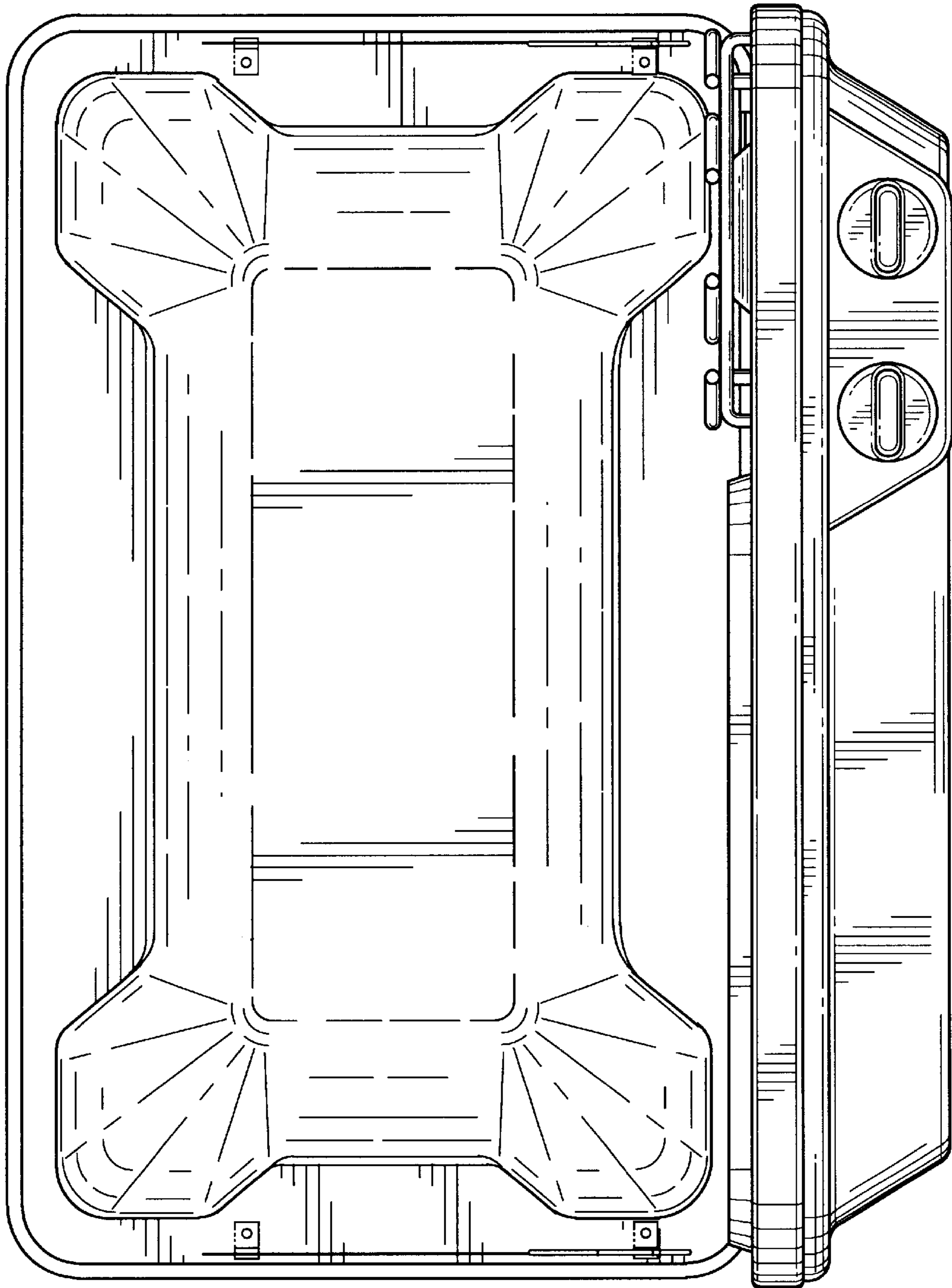


FIG. 4

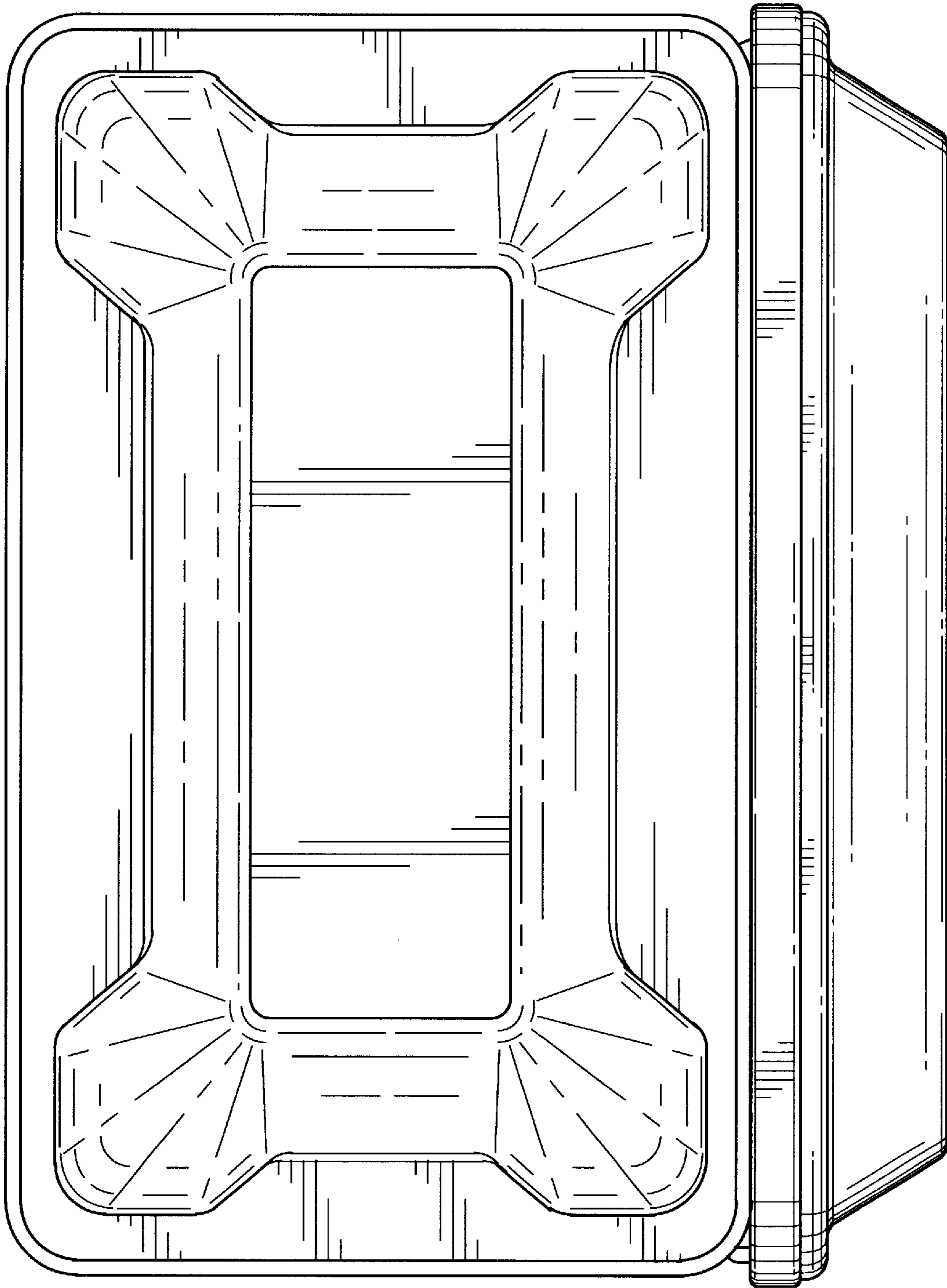


FIG. 5

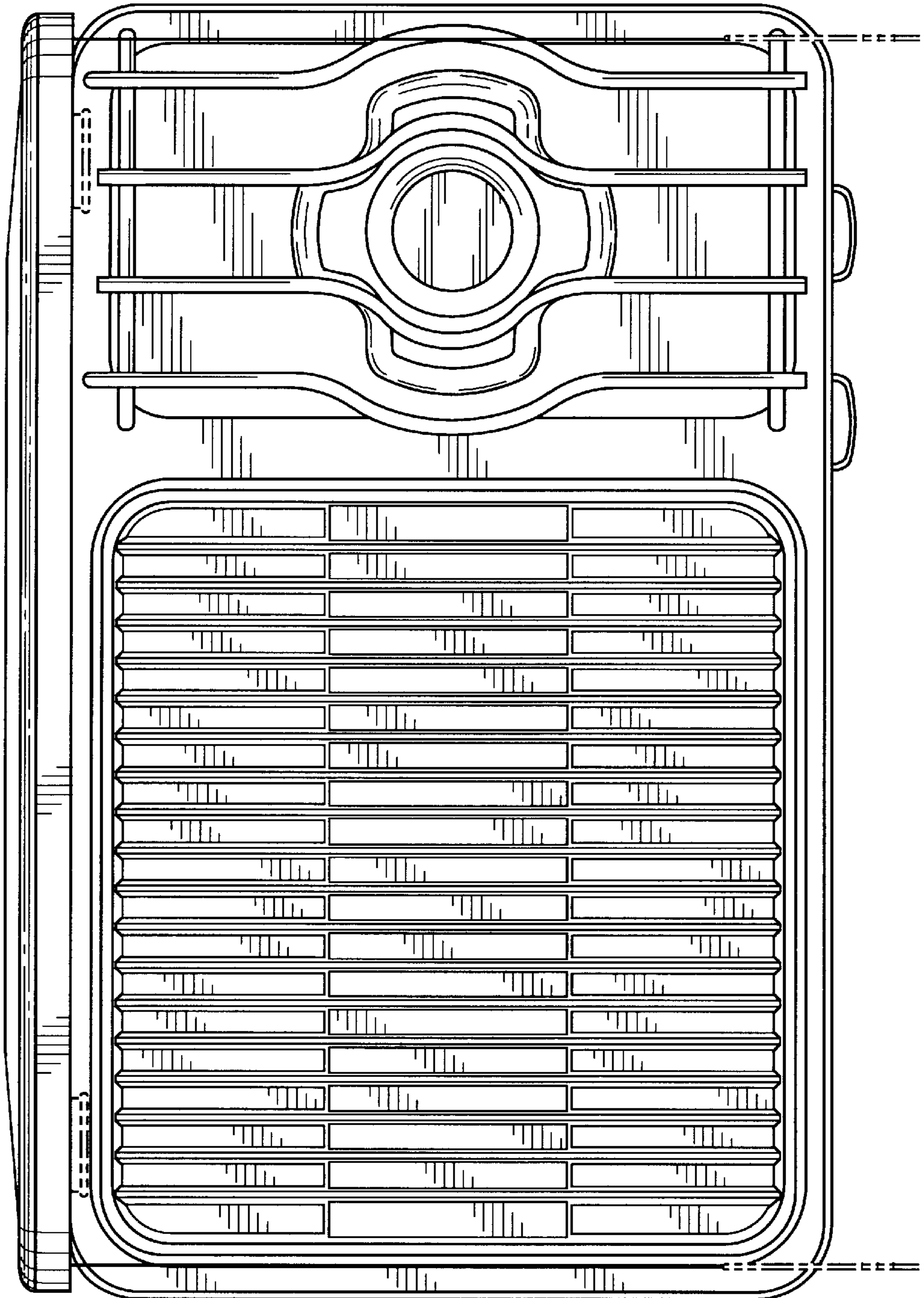


FIG. 6

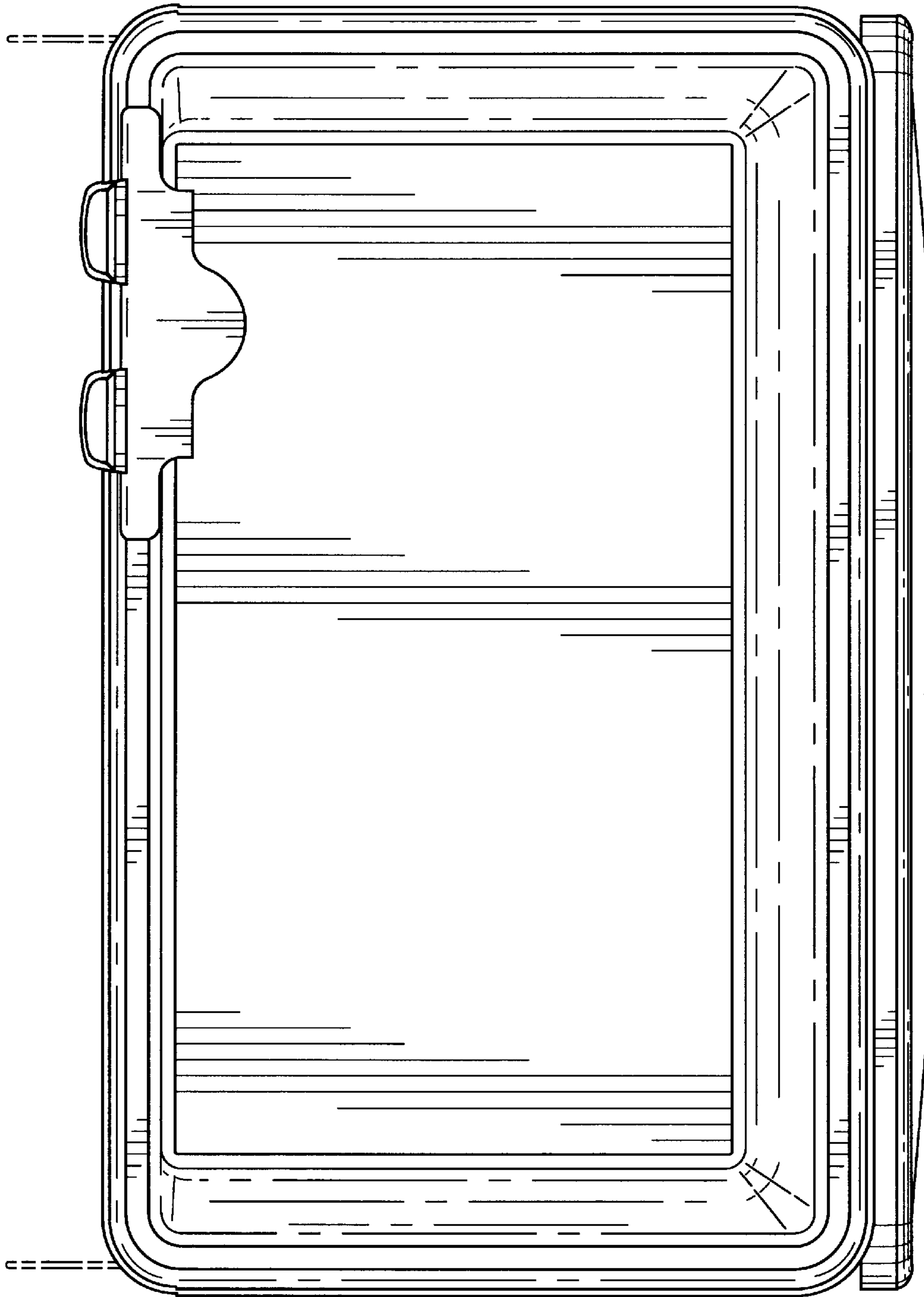


FIG. 7

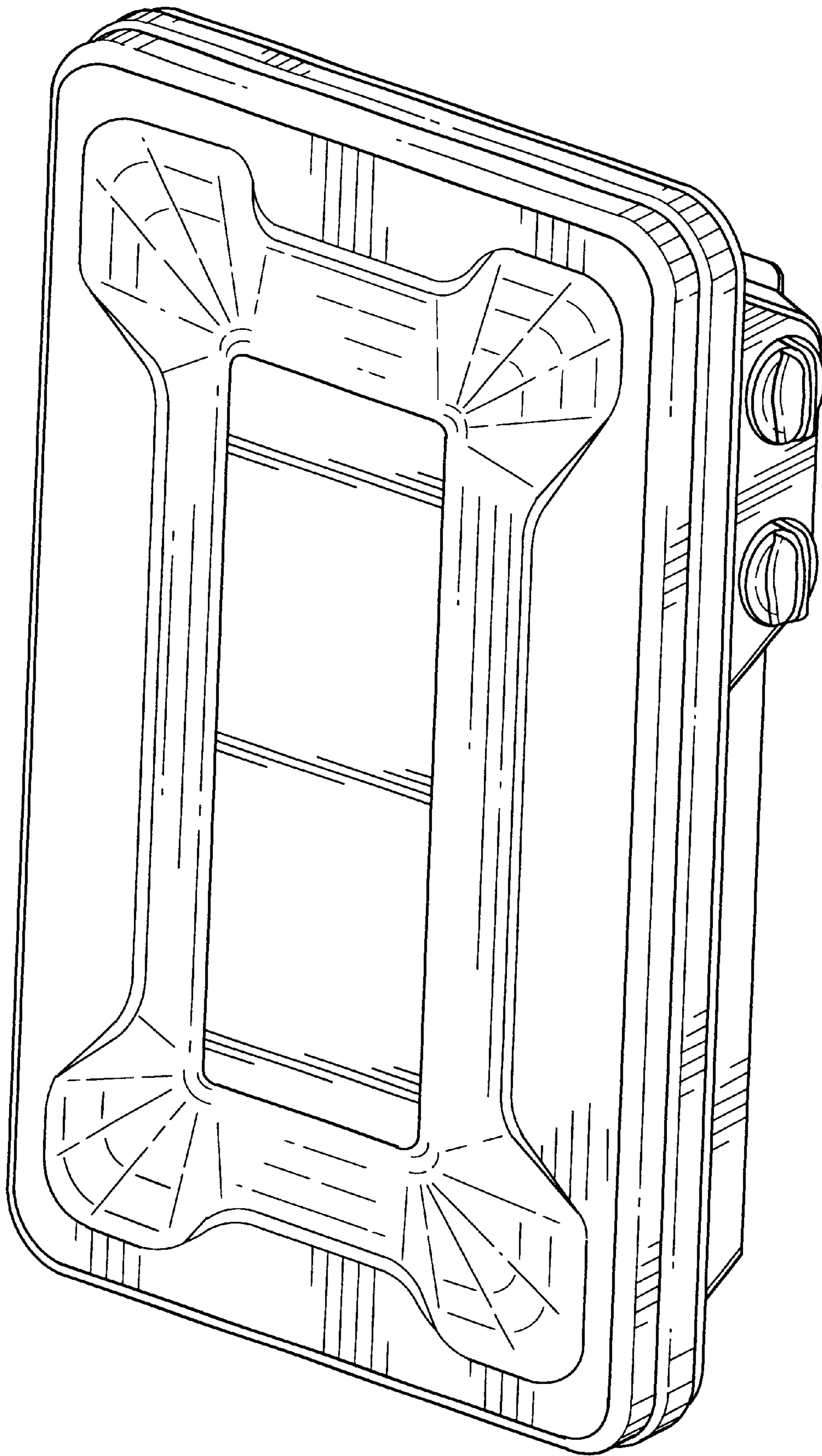


FIG. 8

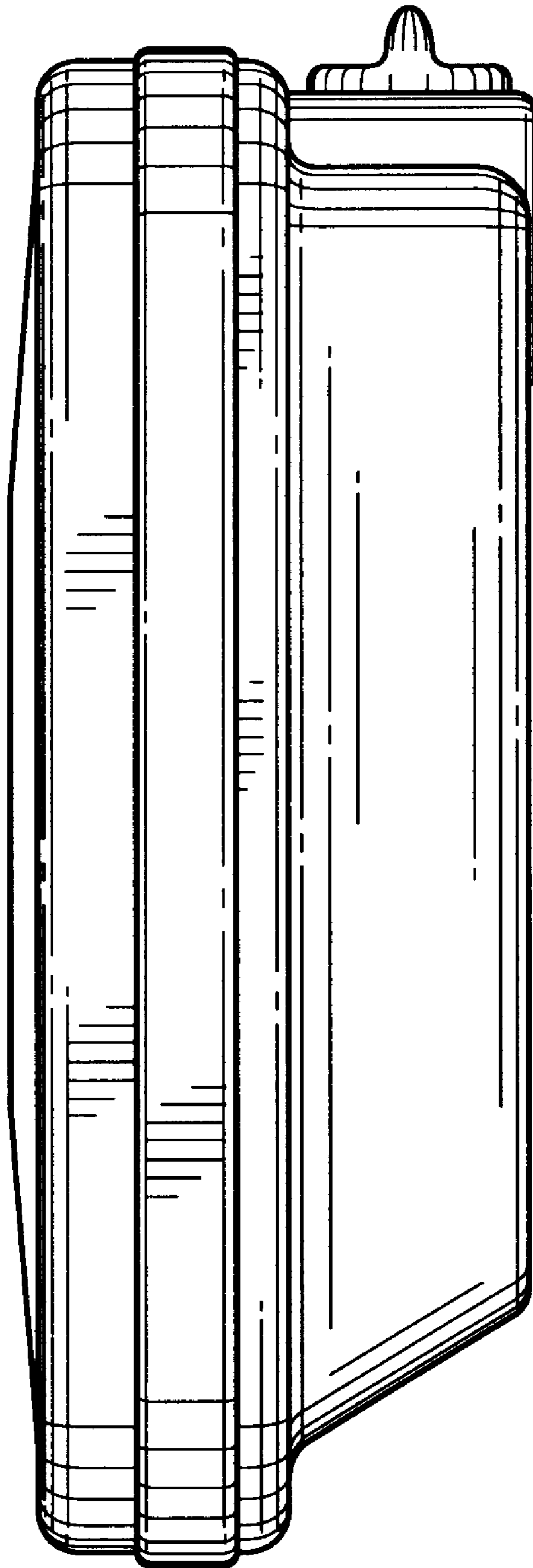


FIG. 9

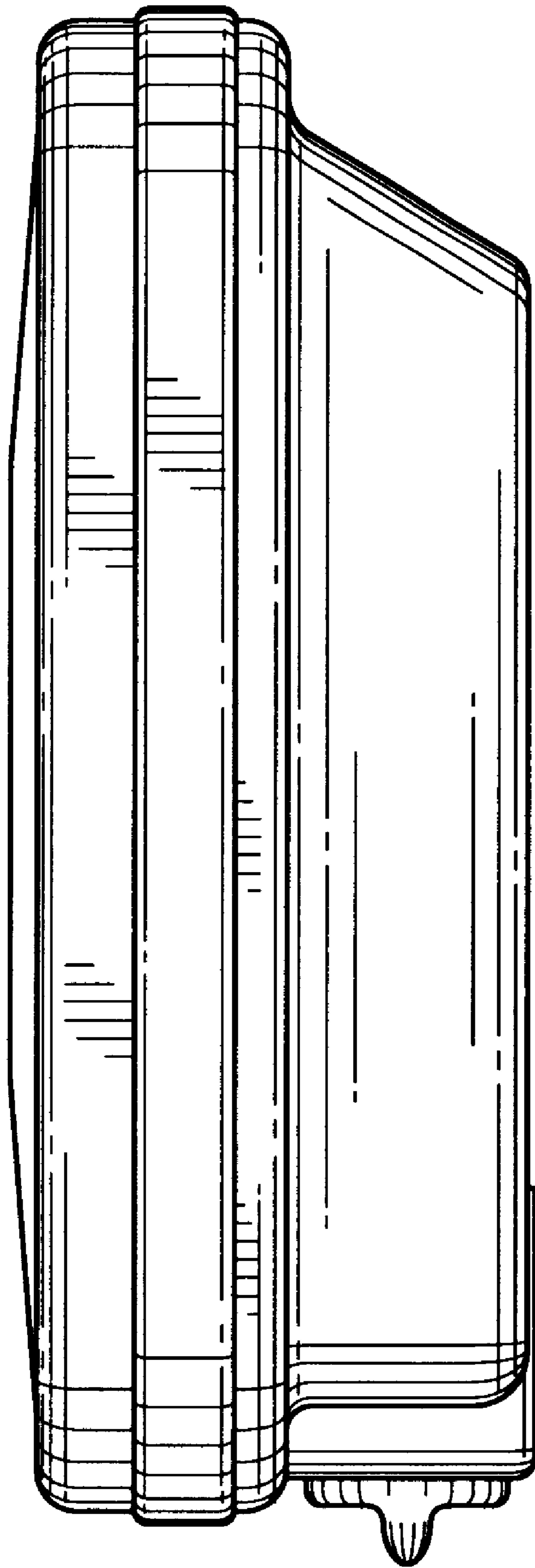


FIG. 10

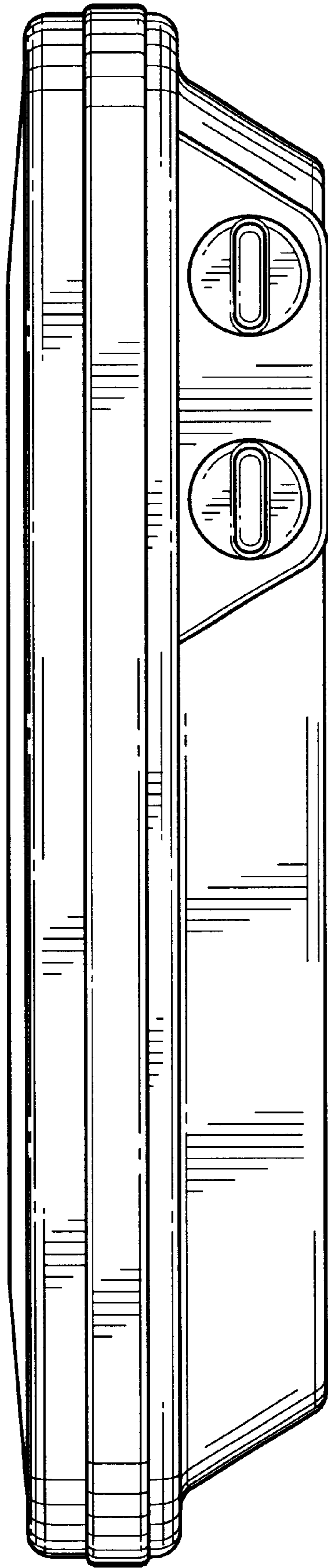


FIG. 11

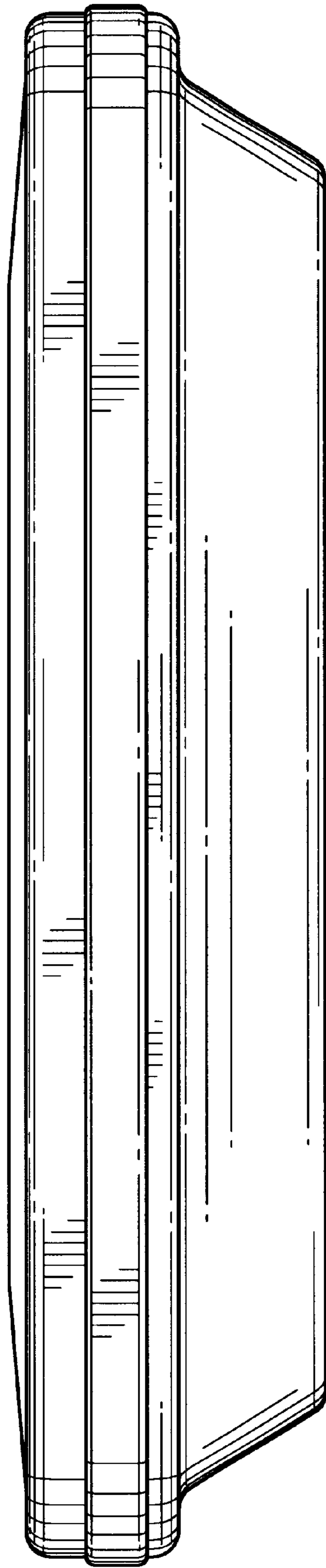


FIG. 12

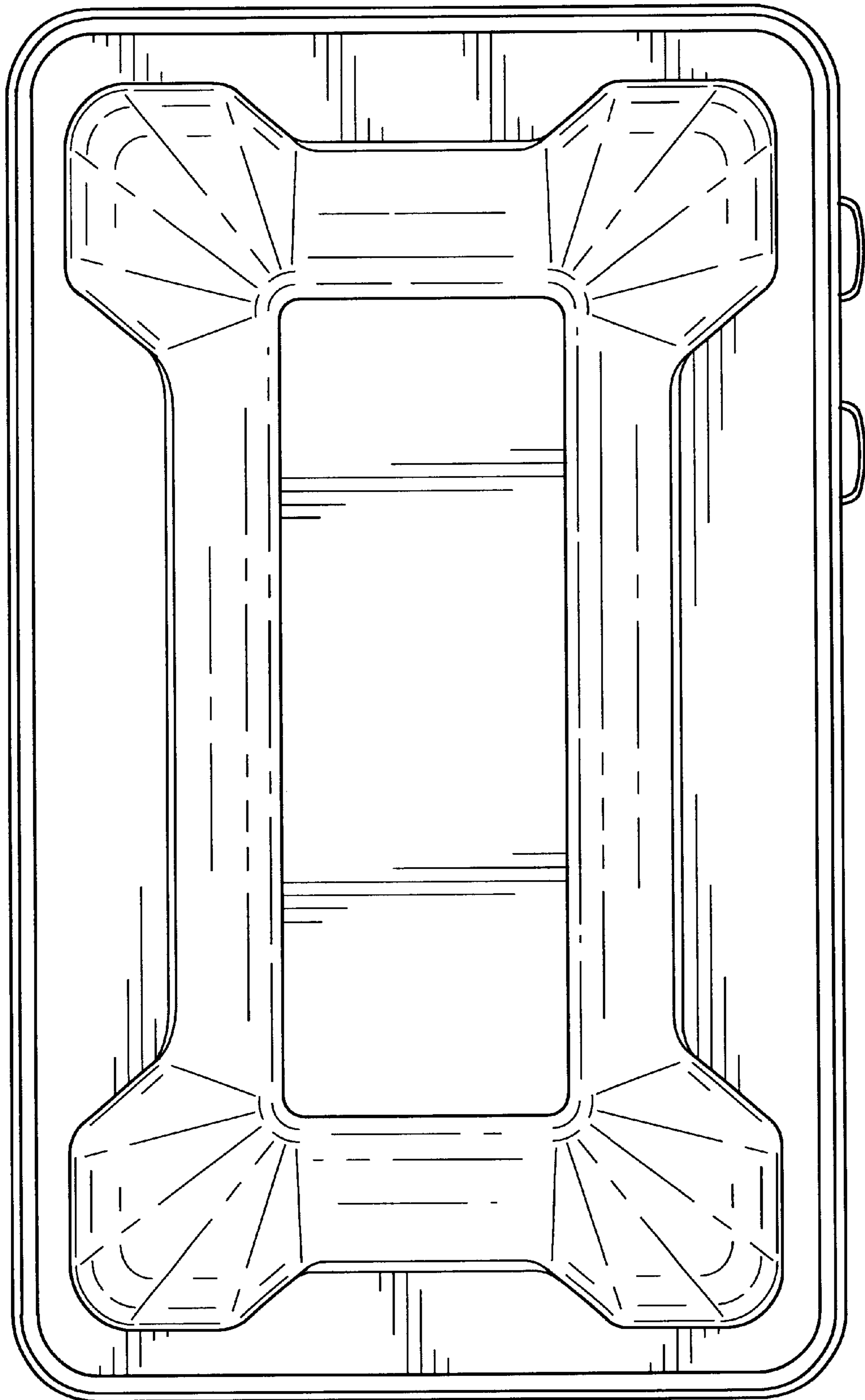


FIG. 13

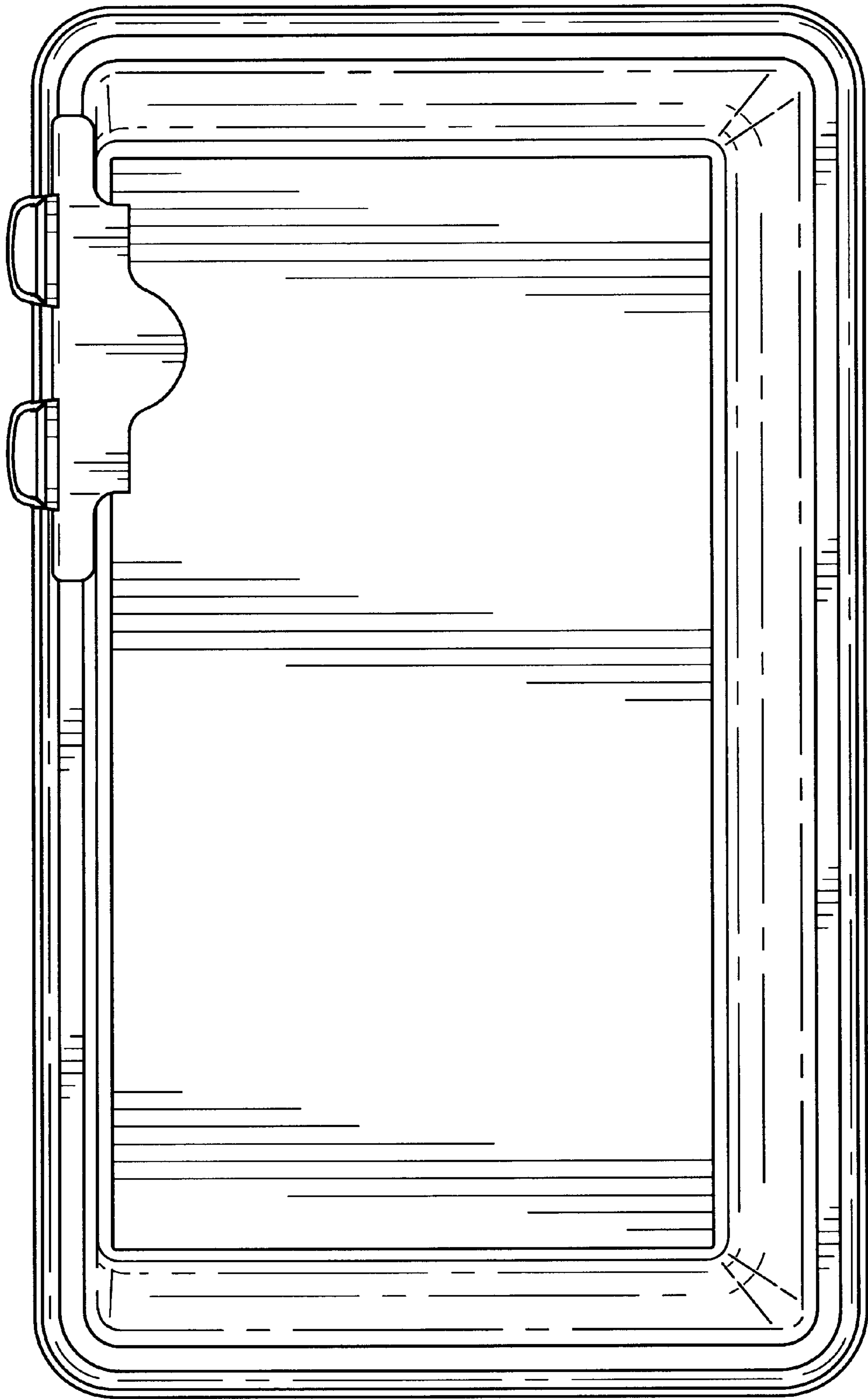


FIG. 14