



US00D450975B1

(12) **United States Design Patent**
Aeschbacher

(10) **Patent No.:** **US D450,975 S**

(45) **Date of Patent:** **** Nov. 27, 2001**

(54) **TOASTER**

D. 427,006 * 6/2000 Chedal Anglay D7/330

(75) Inventor: **Daniel Aeschbacher**, Mont-sur-Rolle
(CH)

* cited by examiner

(73) Assignee: **SEB**, Selongey (FR)

Primary Examiner—Caron D. Veynar

(74) *Attorney, Agent, or Firm*—Browdy and Neimark

(**) Term: **14 Years**

(57) **CLAIM**

(21) Appl. No.: **29/135,358**

The ornamental design for a toaster, as shown and described.

(22) Filed: **Jan. 12, 2001**

DESCRIPTION

(30) **Foreign Application Priority Data**

Jul. 12, 2000 (FR) 00 4176

FIG. 1 is a front view of a toaster in accordance with the present design;

(51) **LOC (7) Cl.** **07-02**

FIG. 2 is a rear view thereof;

(52) **U.S. Cl.** **D7/330**

FIG. 3 is a left side view thereof;

(58) **Field of Search** D7/328–330, 323,
D7/350, 390; 99/328, 329 RT, 372, 385,
389

FIG. 4 is a right side view thereof;

FIG. 5 is a top plan view thereof;

FIG. 6 is a bottom plan view thereof; and,

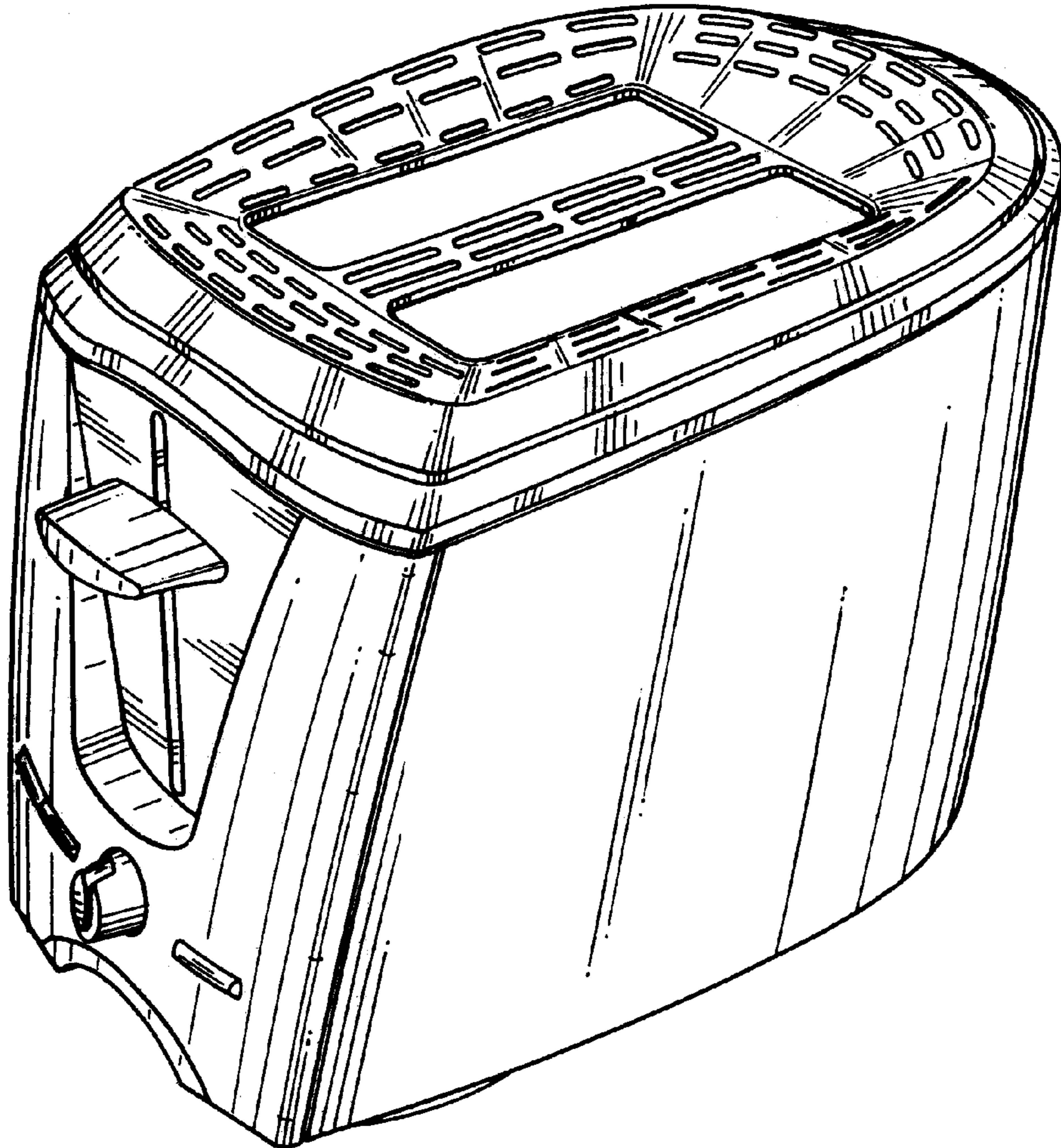
FIG. 7 is three quarter perspective view thereof.

(56) **References Cited**

U.S. PATENT DOCUMENTS

D. 423,866 * 5/2000 Parker et al. D7/330

1 Claim, 7 Drawing Sheets



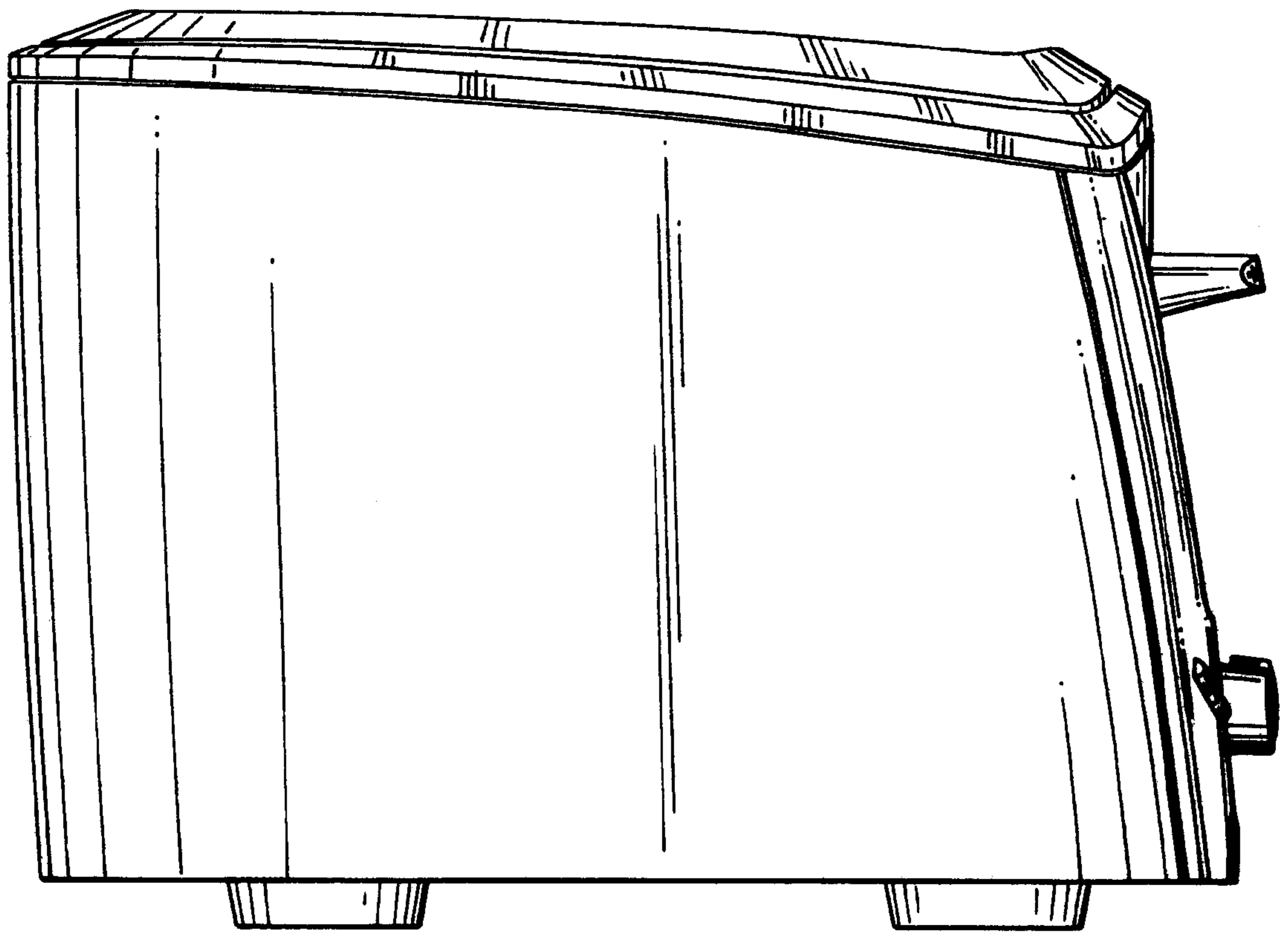


FIGURE 1

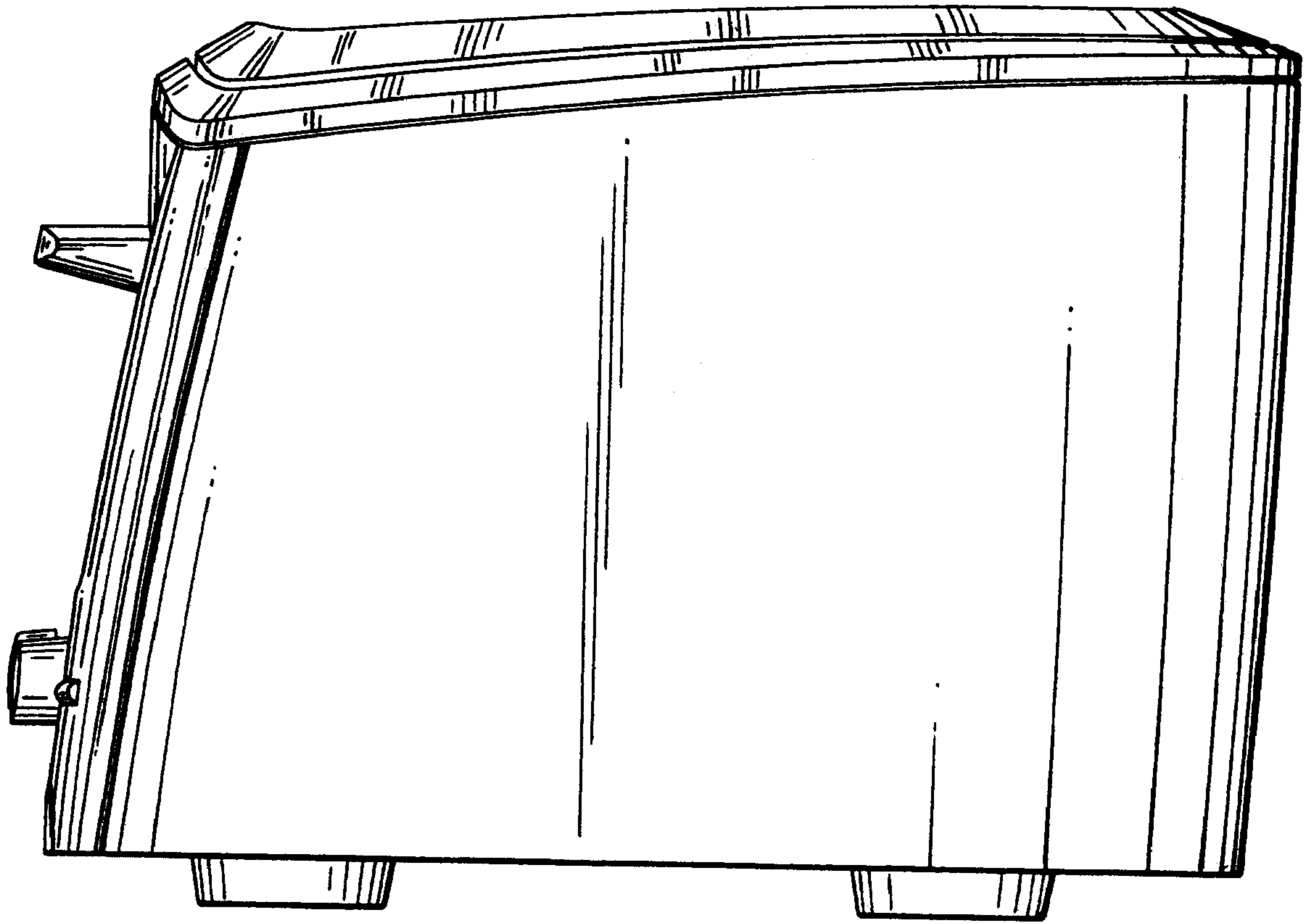


FIGURE 2

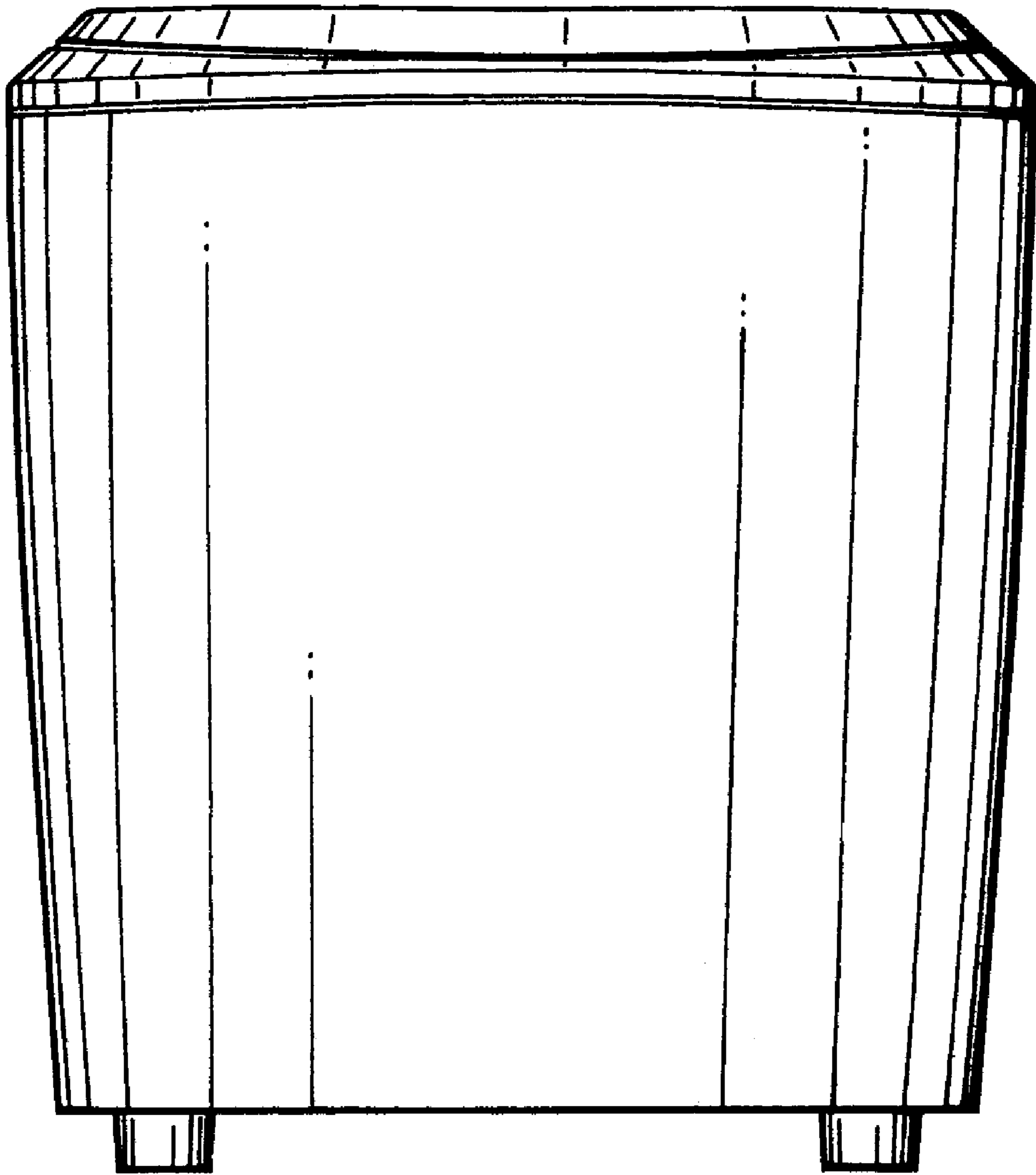


FIGURE 3

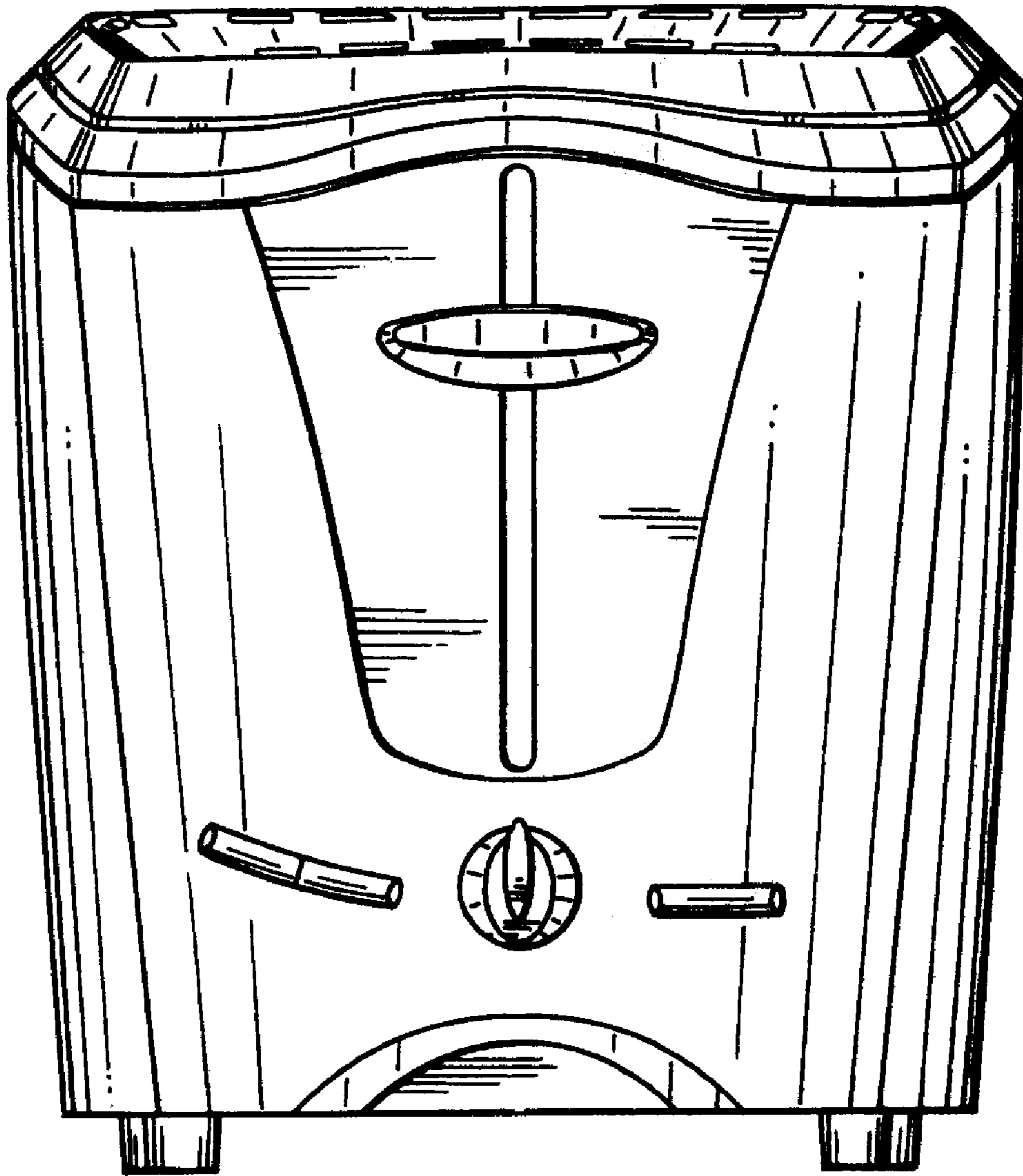
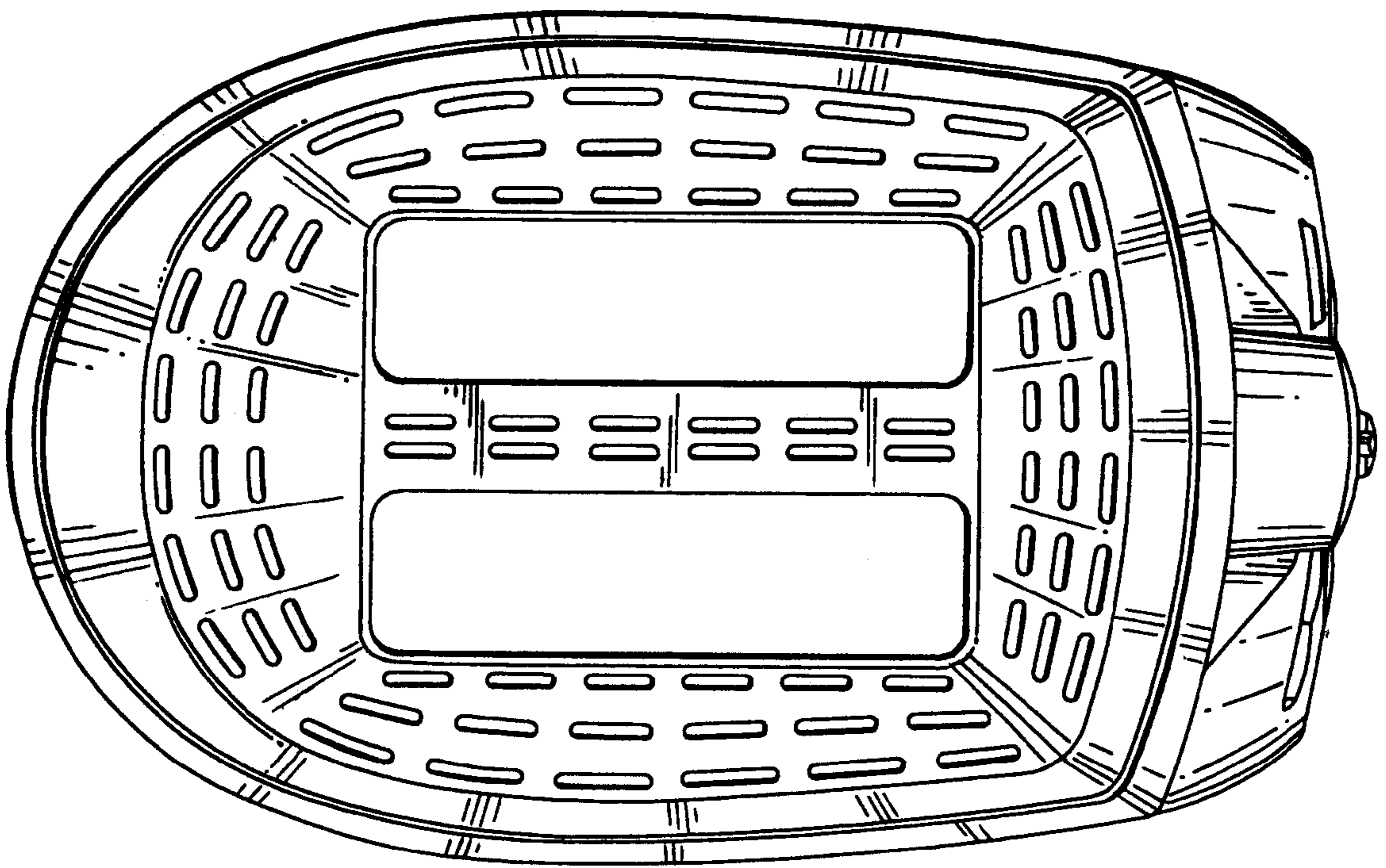


FIGURE 4

FIGURE 5



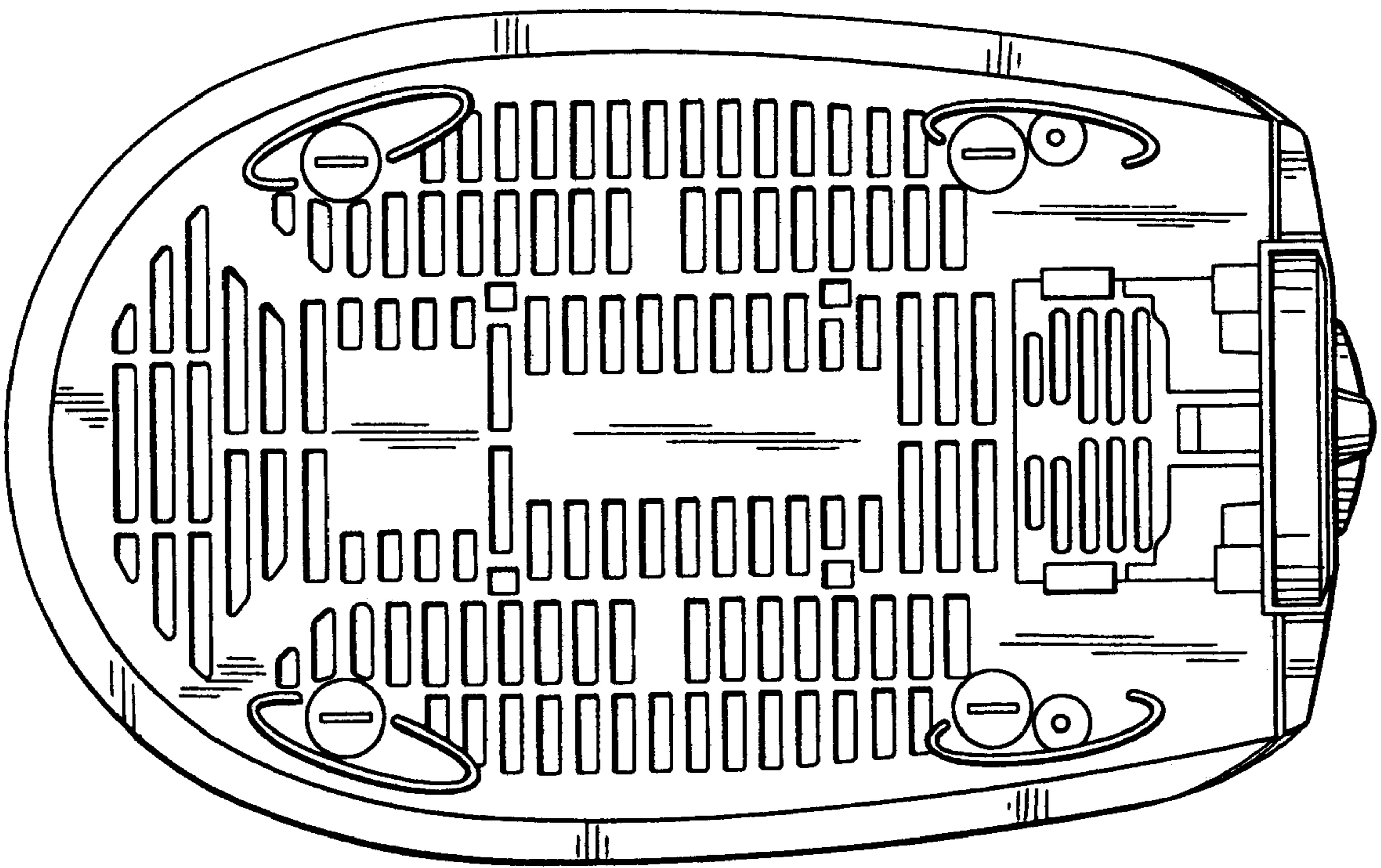


FIGURE 6

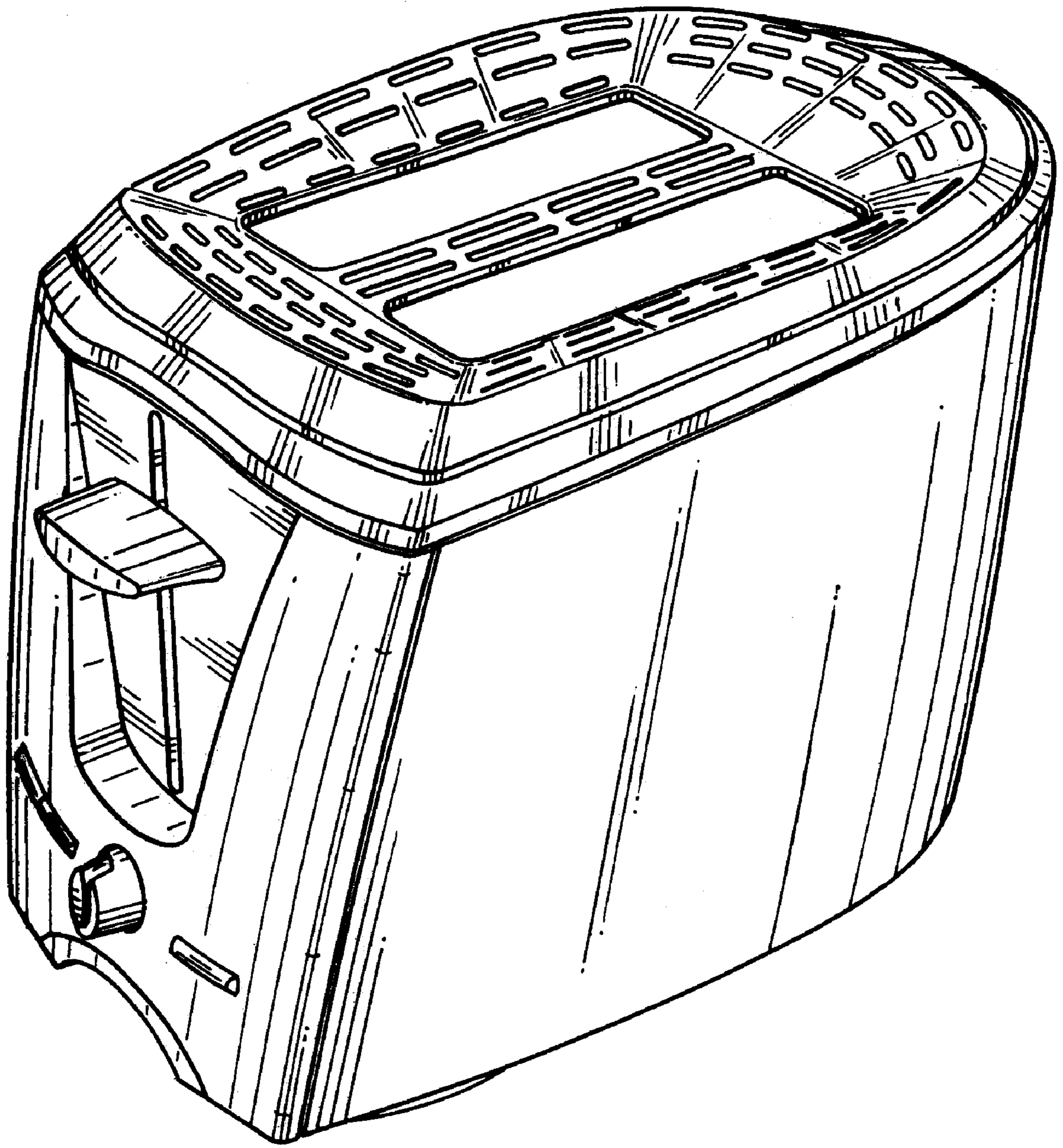


FIGURE 7