



US00D450967B1

(12) **United States Design Patent**
Ancona et al.

(10) **Patent No.:** **US D450,967 S**

(45) **Date of Patent:** **** Nov. 27, 2001**

(54) **PLATE HOLDER**

6,007,041 12/1999 Law 248/491

(75) Inventors: **Bruce E. Ancona**, New York; **Anthony Santiago**, Peekskill, both of NY (US)

* cited by examiner

(73) Assignee: **World Kitchen, Inc.**, Elmira, NY (US)

Primary Examiner—Brian N. Vinson

(**) Term: **14 Years**

(74) *Attorney, Agent, or Firm*—Wolf, Greenfield & Sacks, P.C.

(21) Appl. No.: **29/117,078**

(57) **CLAIM**

(22) Filed: **Jan. 14, 2000**

The ornamental design for a plate holder, as shown and described.

(51) **LOC (7) Cl.** **06-04**

DESCRIPTION

(52) **U.S. Cl.** **D6/553**

(58) **Field of Search** D6/553, 566, 567;
206/449; 211/13.1, 41.1, 41.2, 41.6

FIG. 1 is a front, side, perspective view of the plate holder;

FIG. 2 is a front view thereof;

FIG. 3 is a rear view thereof;

FIG. 4 is a left side view thereof;

FIG. 5 is a right side view thereof;

FIG. 6 is a top view thereof;

FIG. 7 is a bottom view thereof; and,

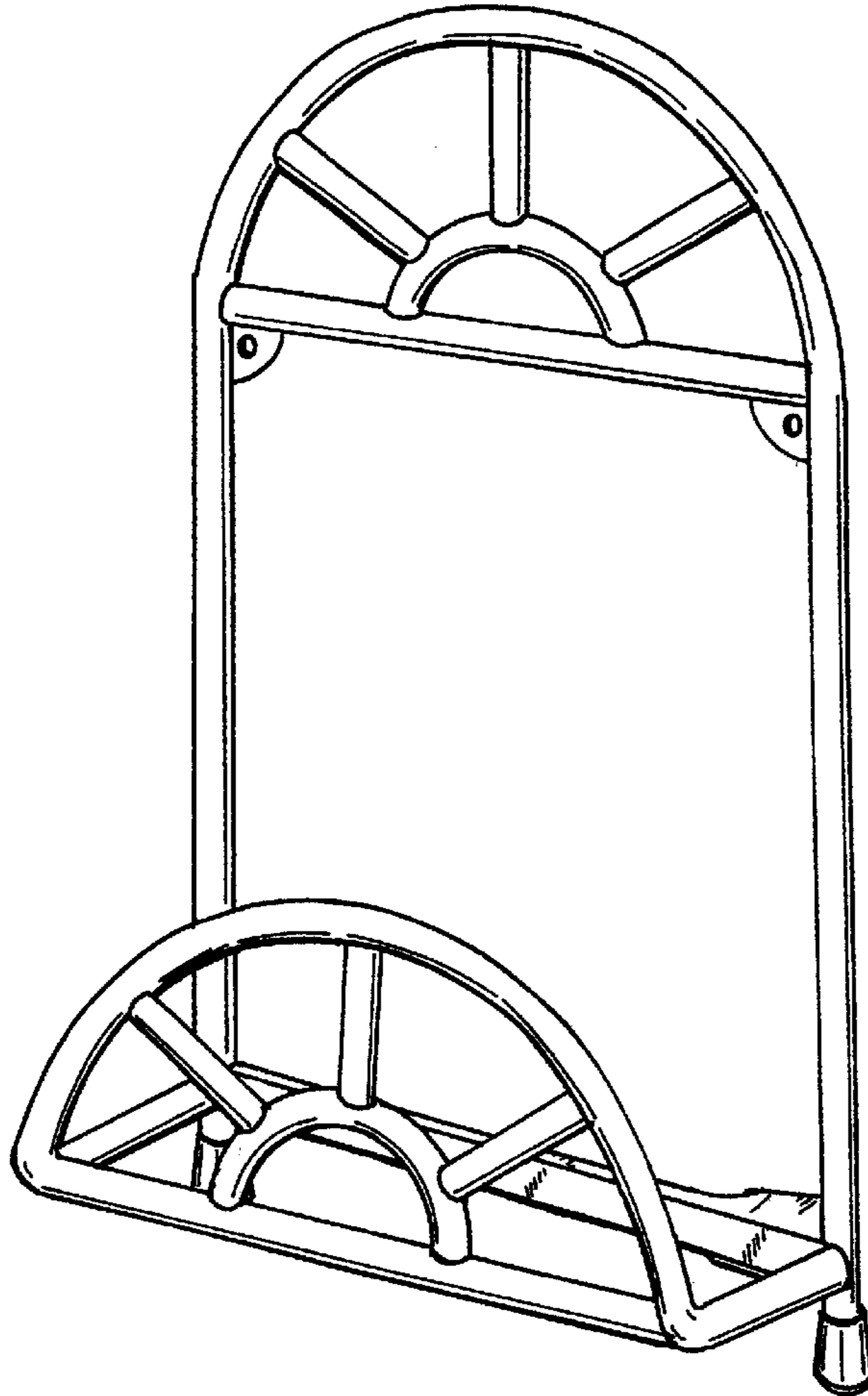
FIG. 8 is a left side view thereof with a rear leg thereof in an extended position.

(56) **References Cited**

U.S. PATENT DOCUMENTS

| | | | | | |
|------------|---|--------|---------|-------|--------|
| D. 317,993 | * | 7/1991 | Grey | | D6/553 |
| D. 329,197 | | 9/1992 | Tibbs | | D8/380 |
| D. 337,466 | * | 7/1993 | Moser | | D6/570 |
| D. 345,070 | * | 3/1994 | Warren | | D6/570 |
| D. 392,140 | * | 3/1998 | Goodman | | D6/553 |

1 Claim, 4 Drawing Sheets



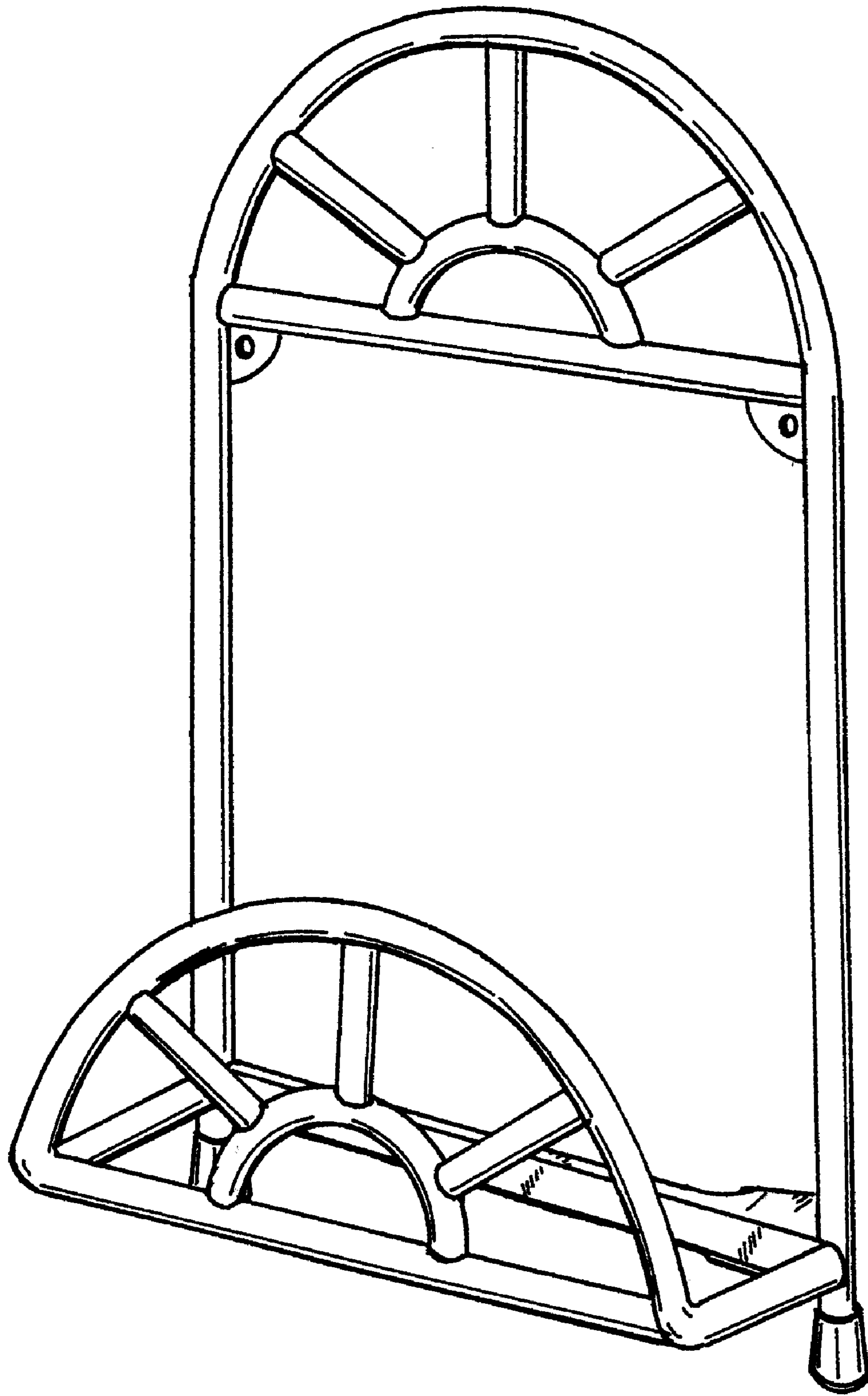


Fig. 1

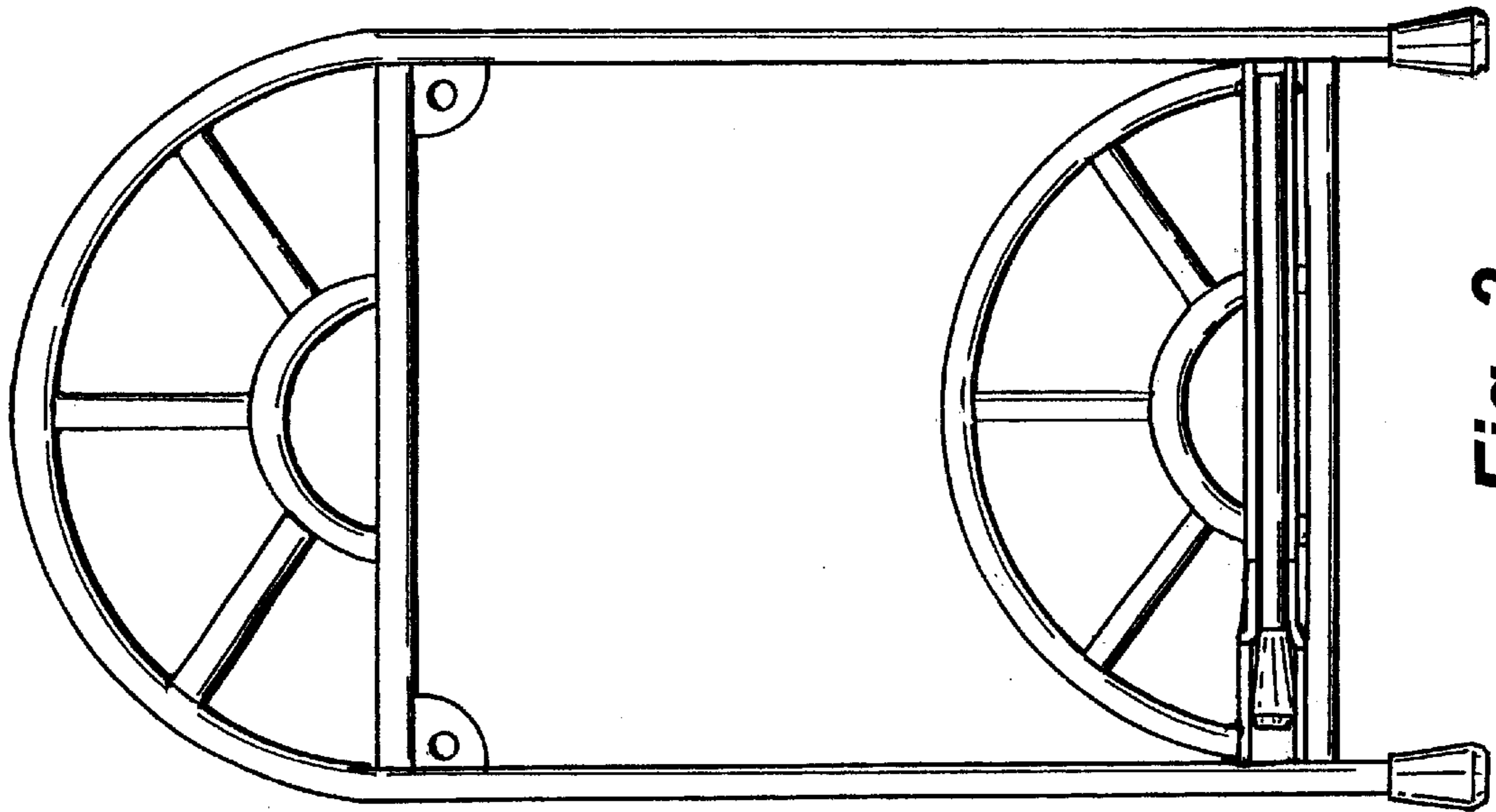


Fig. 3

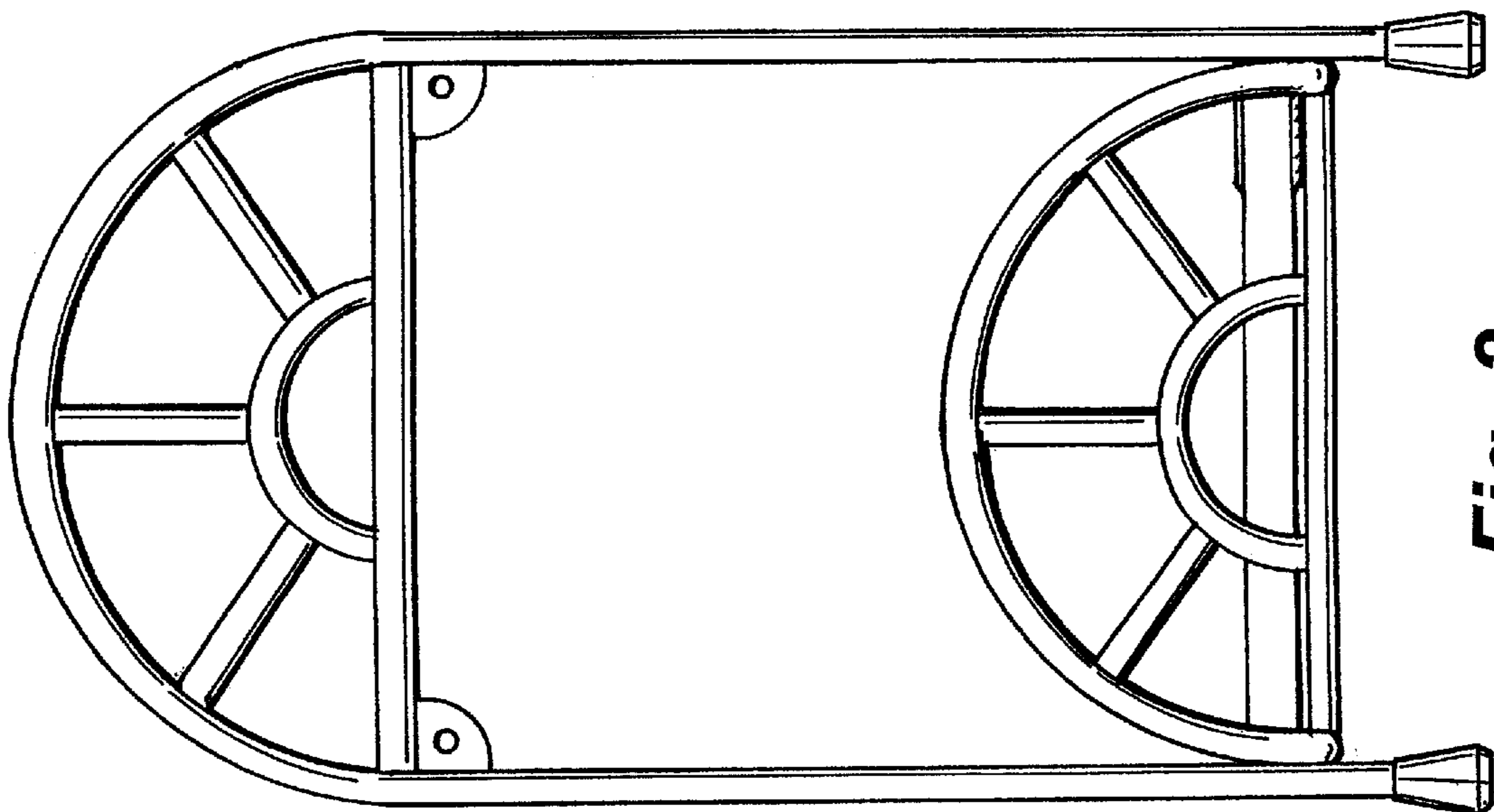


Fig. 2

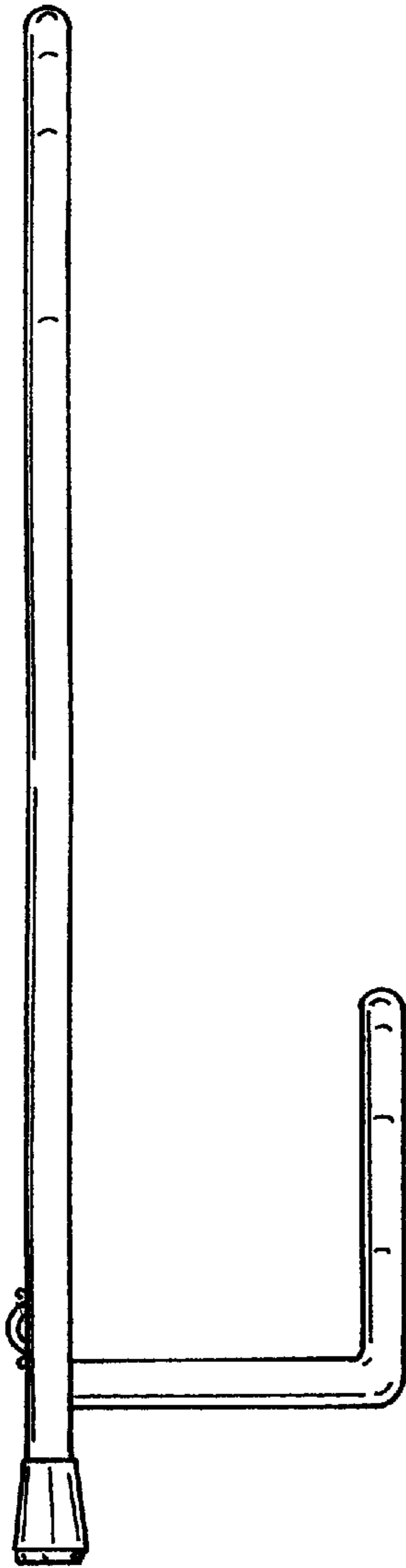


Fig. 4

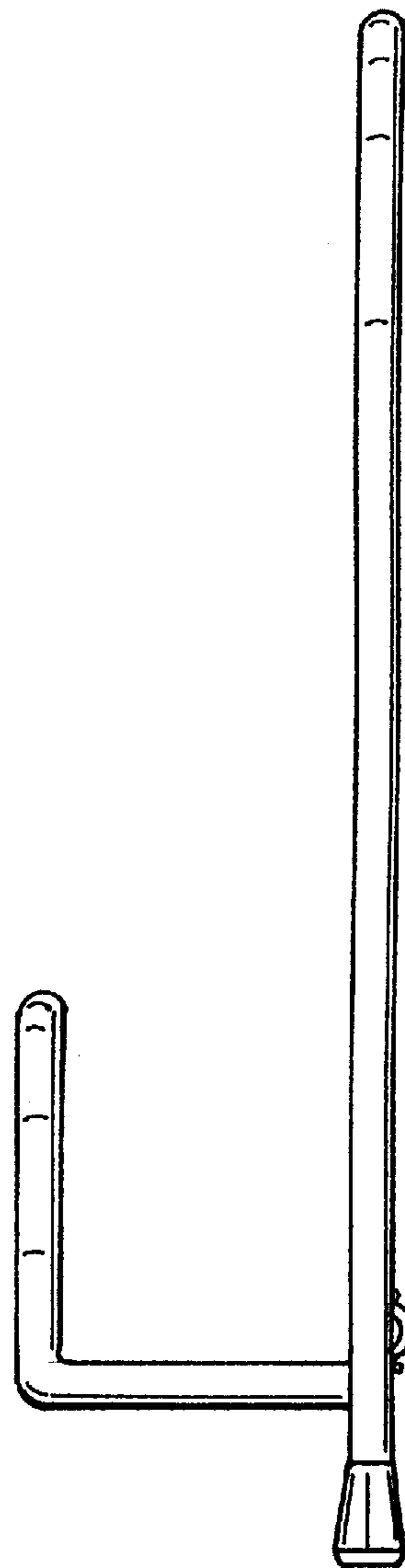


Fig. 5

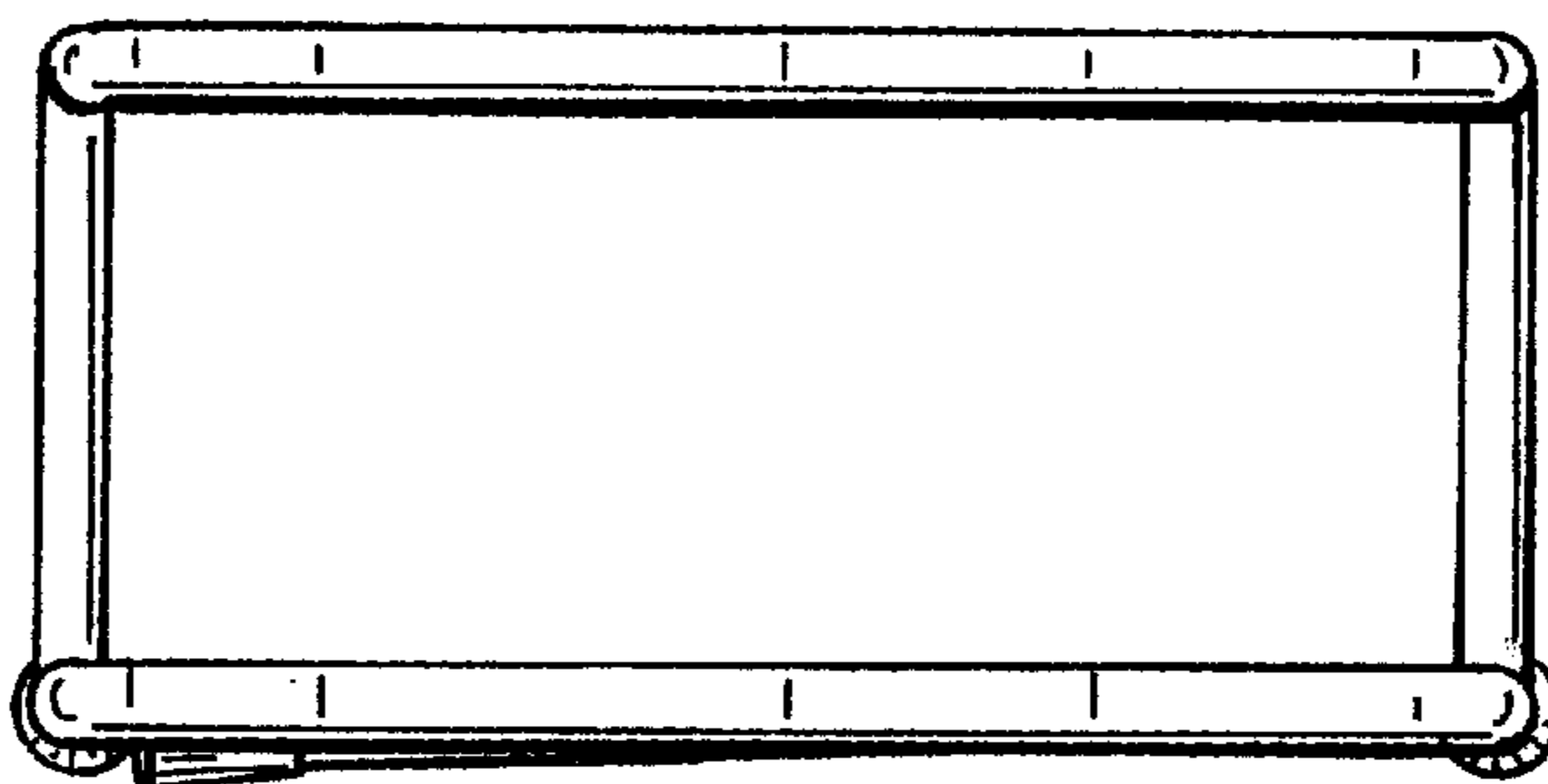


Fig. 6

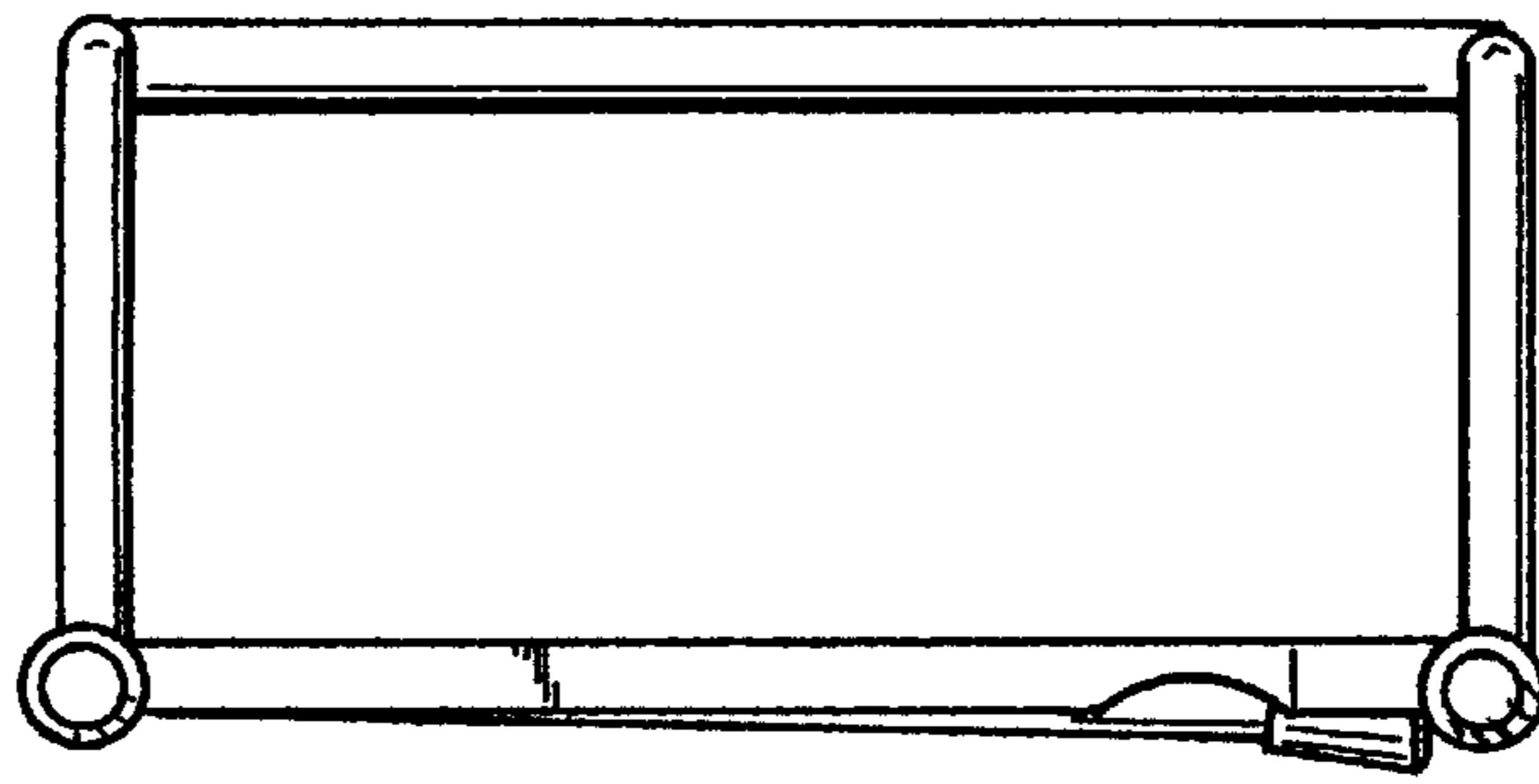


Fig. 7

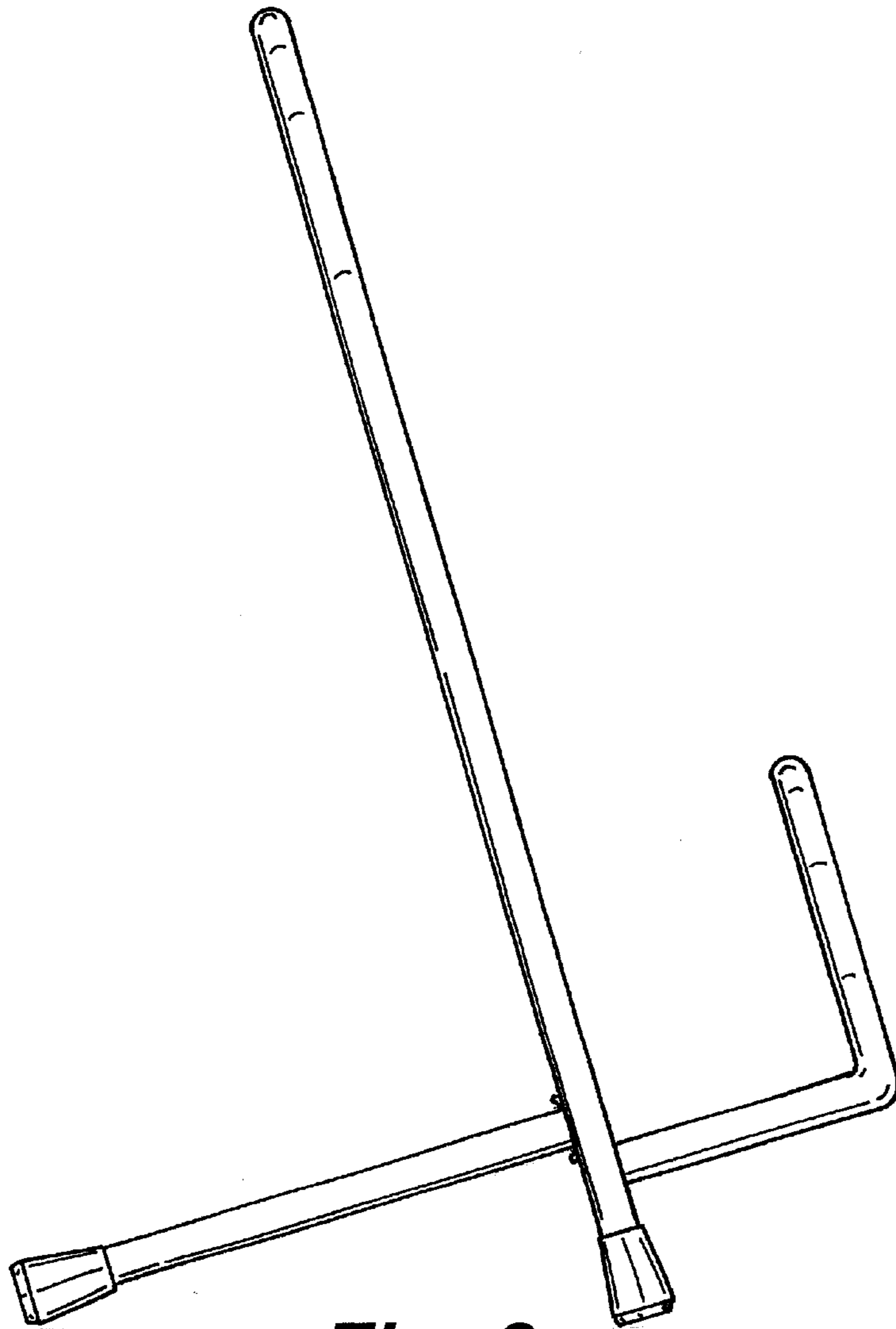


Fig. 8